



US00D351244S

United States Patent [19] Lee

[11] Patent Number: **Des. 351,244**
[45] Date of Patent: **** Oct. 4, 1994**

[54] **FLASHLIGHT**
[75] Inventor: **Peter K. C. Lee**, Kowloon, Hong Kong
[73] Assignee: **Hip Shing Fat Co., Ltd.**, Kowloon, Hong Kong
[**] Term: **14 Years**
[21] Appl. No.: **6,545**
[22] Filed: **Mar. 31, 1993**
[30] **Foreign Application Priority Data**
Feb. 19, 1993 [GB] United Kingdom 2029232
[52] U.S. Cl. **D26/37**
[58] **Field of Search** 362/157, 158, 159, 160, 362/161, 168, 171, 172, 173, 178, 179, 180, 183, 184, 186, 197, 198, 201, 202, 203, 204, 205, 206, 207, 208, 190; D26/37-50

[56] **References Cited**
U.S. PATENT DOCUMENTS
D. 152,719 2/1949 Miller D26/37
D. 153,733 5/1949 Schofield D26/37
D. 220,801 5/1971 Rams D26/46

D. 298,658 11/1988 Roberts et al. D26/37
1,226,727 5/1917 Wachtel D26/37
1,285,382 11/1918 Renshaw D26/37
1,552,404 9/1925 Allen D26/38
4,241,384 12/1980 Diziere 362/208
4,524,409 6/1985 Yakubek 362/189
4,774,638 9/1988 Caires 362/190
4,947,476 8/1990 Seaburg 362/208

Primary Examiner—Wallace R. Burke
Assistant Examiner—Marcus Jackson
Attorney, Agent, or Firm—Wenderoth, Lind & Ponack

[57] **CLAIM**
The ornamental design for flashlight, as shown and described.

DESCRIPTION
FIG. 1 is a perspective view of a flashlight showing my new design;
FIG. 2 is a perspective view thereof, with the shutter shown in open condition;
FIG. 3 is a right side elevational view thereof, with the opposite side being a mirror image; and,
FIG. 4 is a front elevational view thereof, with the rear being flat and plain.

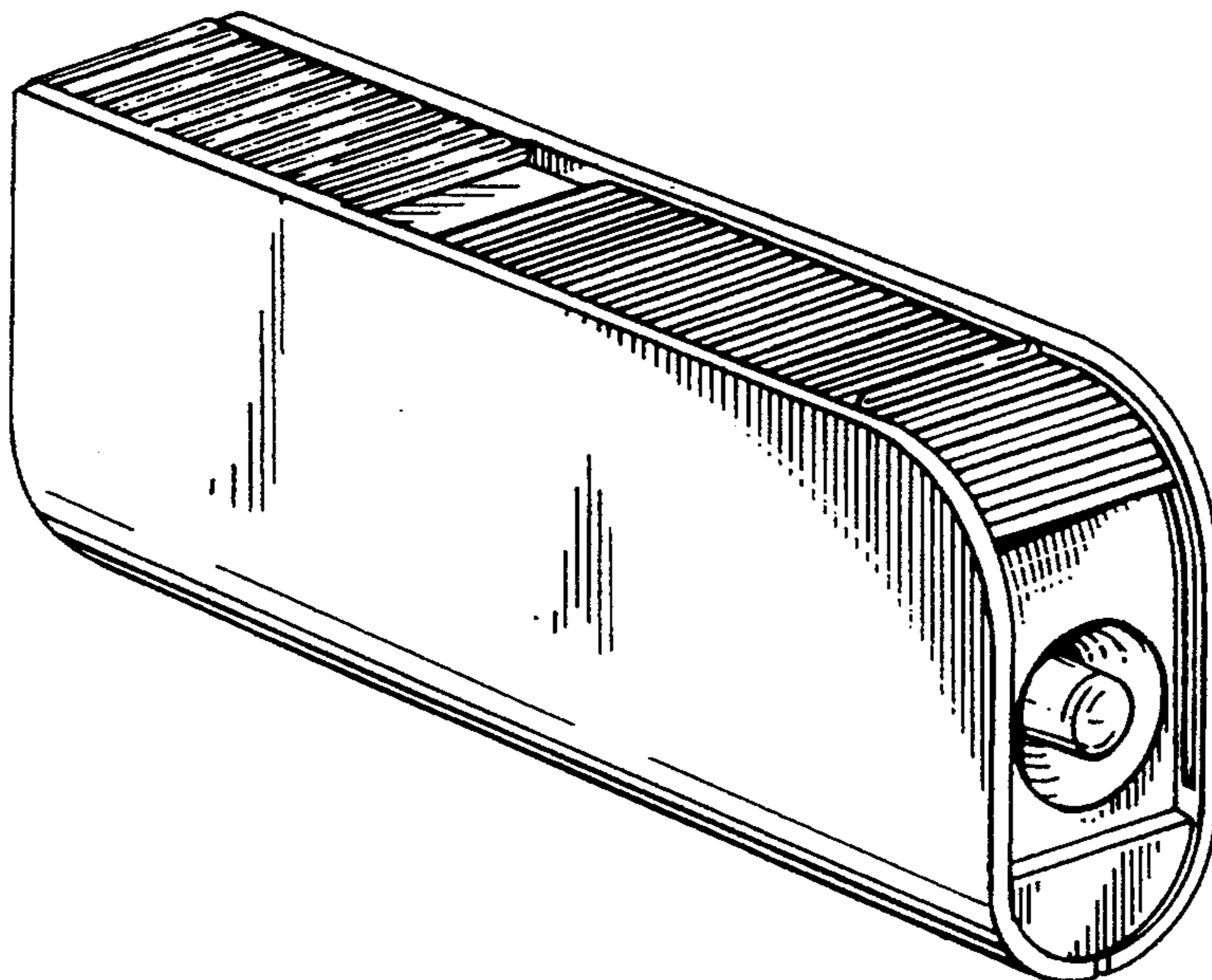


FIG. 1

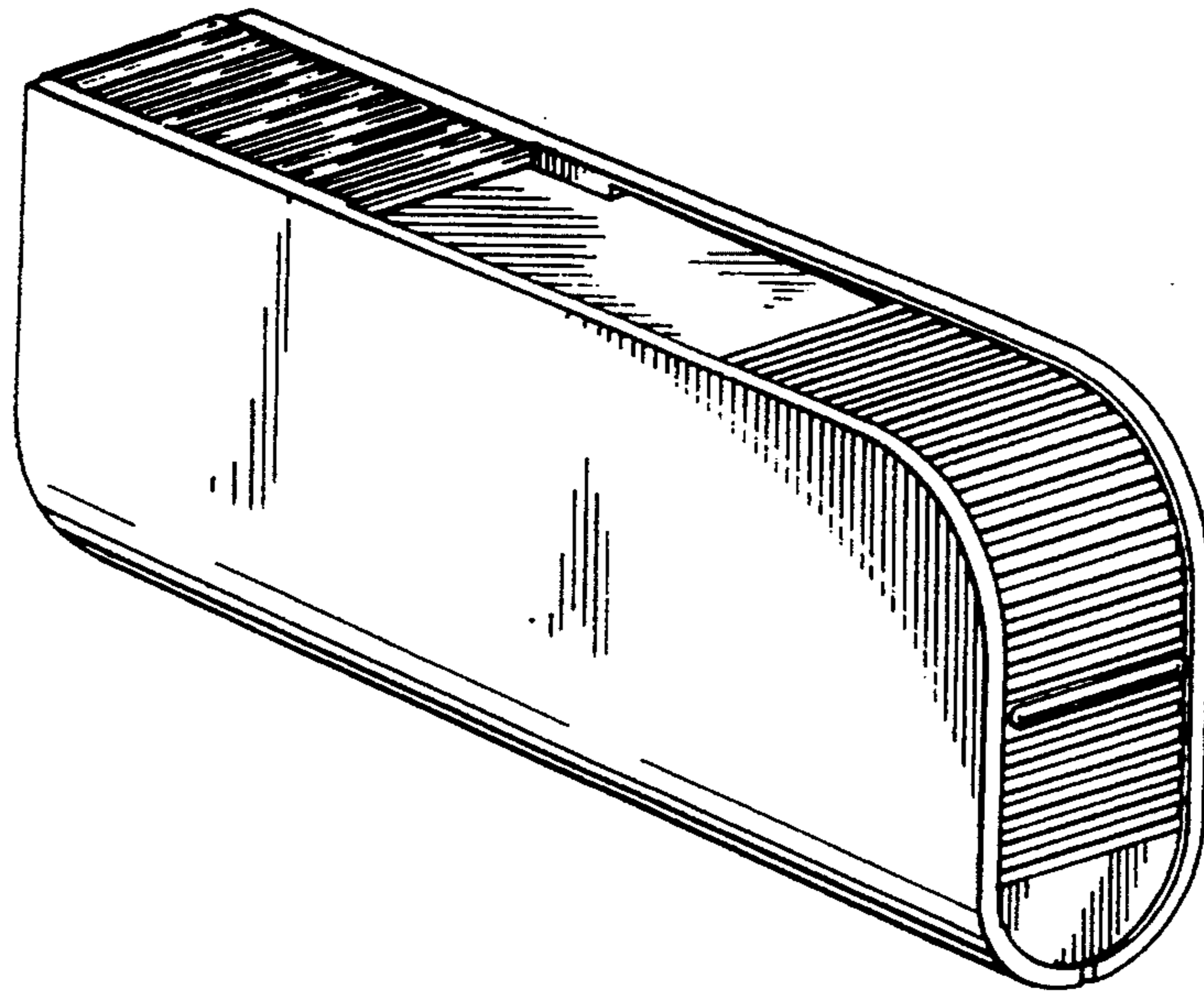


FIG. 2

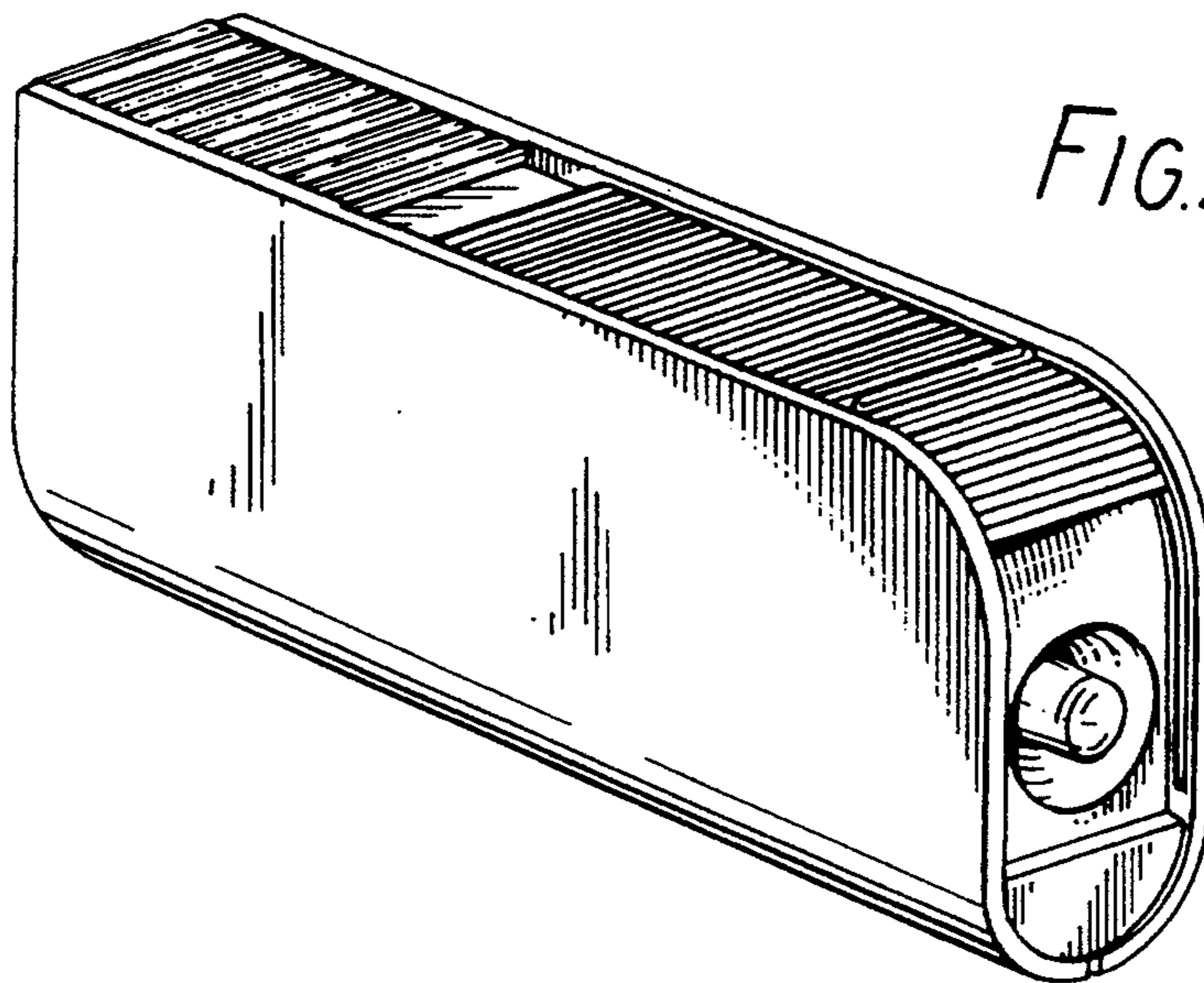


FIG. 3

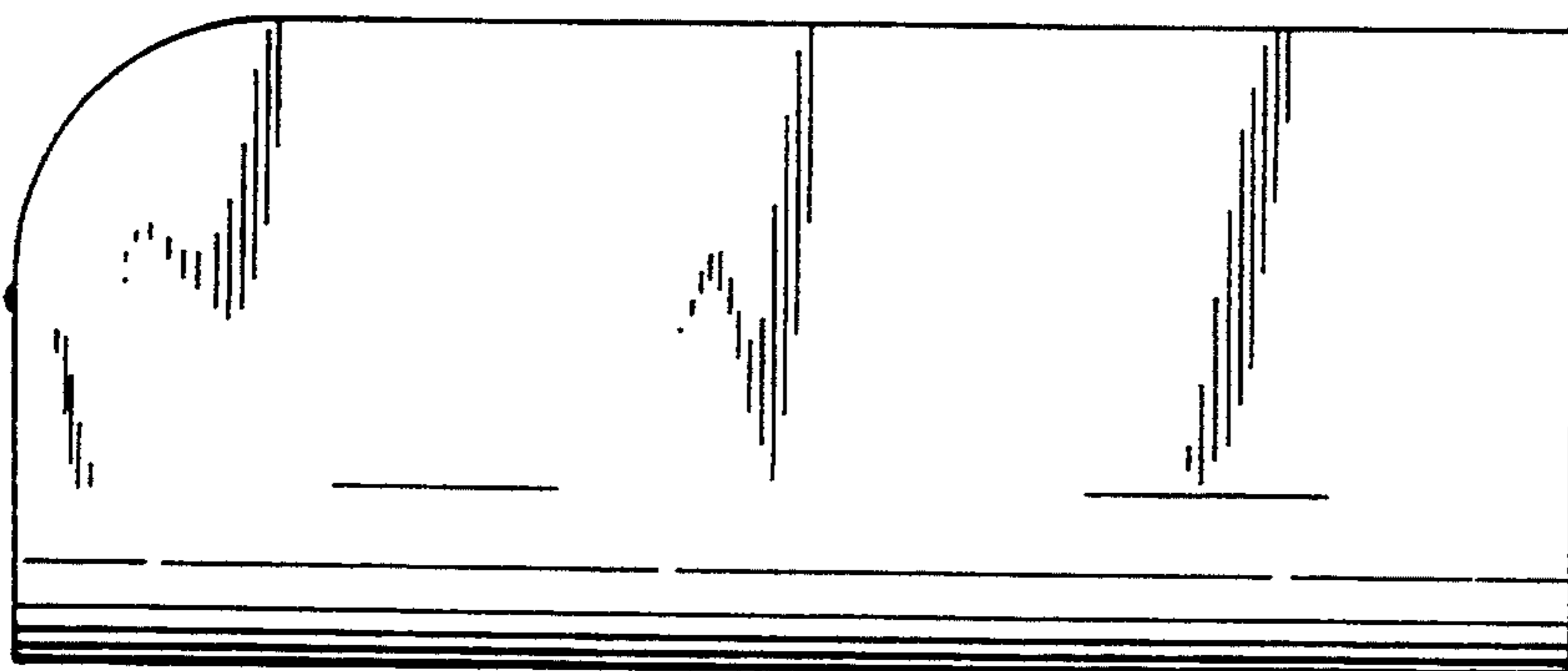


FIG. 4

