



US00D351243S

United States Patent [19]

[11] Patent Number: Des. 351,243

Williams et al.

[45] Date of Patent: ** Oct. 4, 1994

[54] REMOTE CONTROLLED SINGLE LAMP SEARCHLIGHT FOR VEHICLE OR BOAT

[75] Inventors: Jack L. Williams, Orange, Calif.;
James G. Budd, Calgary, Canada

[73] Assignee: ITT Corporation, New York, N.Y.

[**] Term: 14 Years

[21] Appl. No.: 12,559

[22] Filed: Sep. 3, 1993

Related U.S. Application Data

[63] Continuation-in-part of Ser. No. 5,713, Mar. 10, 1993, abandoned.

[52] U.S. Cl. D26/28

[58] Field of Search 362/61, 74, 80.1, 80.2, 362/82, 83, 83.3, 80, 269, 272, 275, 287, 418, 419, 427, 286; D26/24, 28-36, 61, 63

[56] References Cited

U.S. PATENT DOCUMENTS

D. 239,315 3/1976 Satoh et al. D26/104
D. 320,462 10/1991 Williams et al. D26/35 X
D. 327,953 7/1992 Jordan D26/28
4,920,468 4/1990 Narita 362/418 X

Primary Examiner—Susan J. Lucas

Attorney, Agent, or Firm—Menotti J. Lombardi

[57] CLAIM

The ornamental design for a remote controlled single lamp searchlight for vehicle or boat, as shown and described.

DESCRIPTION

FIG. 1 is a top, front, and right side perspective of a remote controlled single lamp searchlight for a vehicle or boat showing our new design;
FIG. 2 is a front elevation view thereof;
FIG. 3 is a right side elevation view thereof, the left side view being a mirror image;
FIG. 4 is a top plan view thereof;
FIG. 5 is a bottom plan view thereof; and,
FIG. 6 is a rear elevation view thereof.

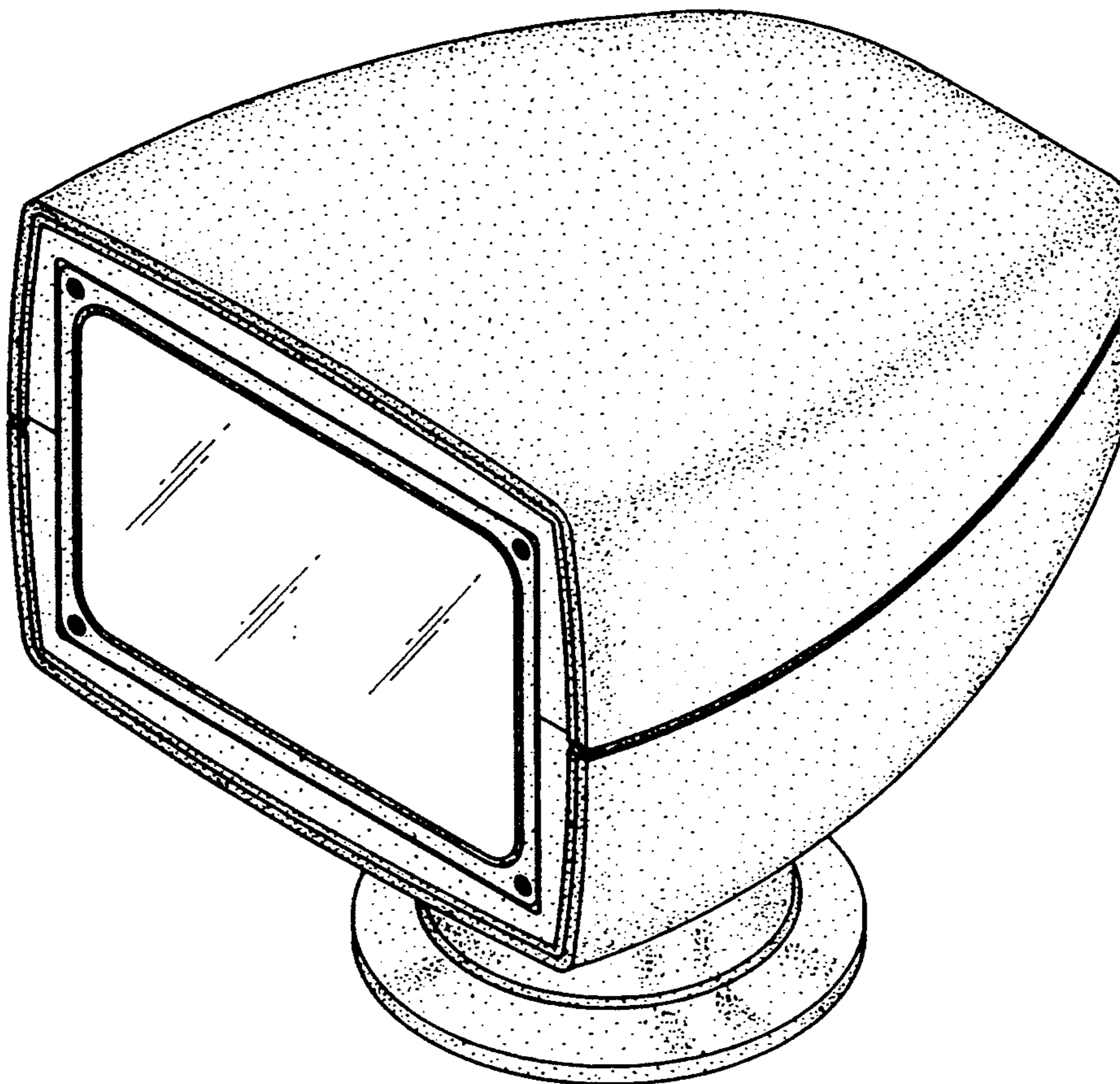


FIG. 1

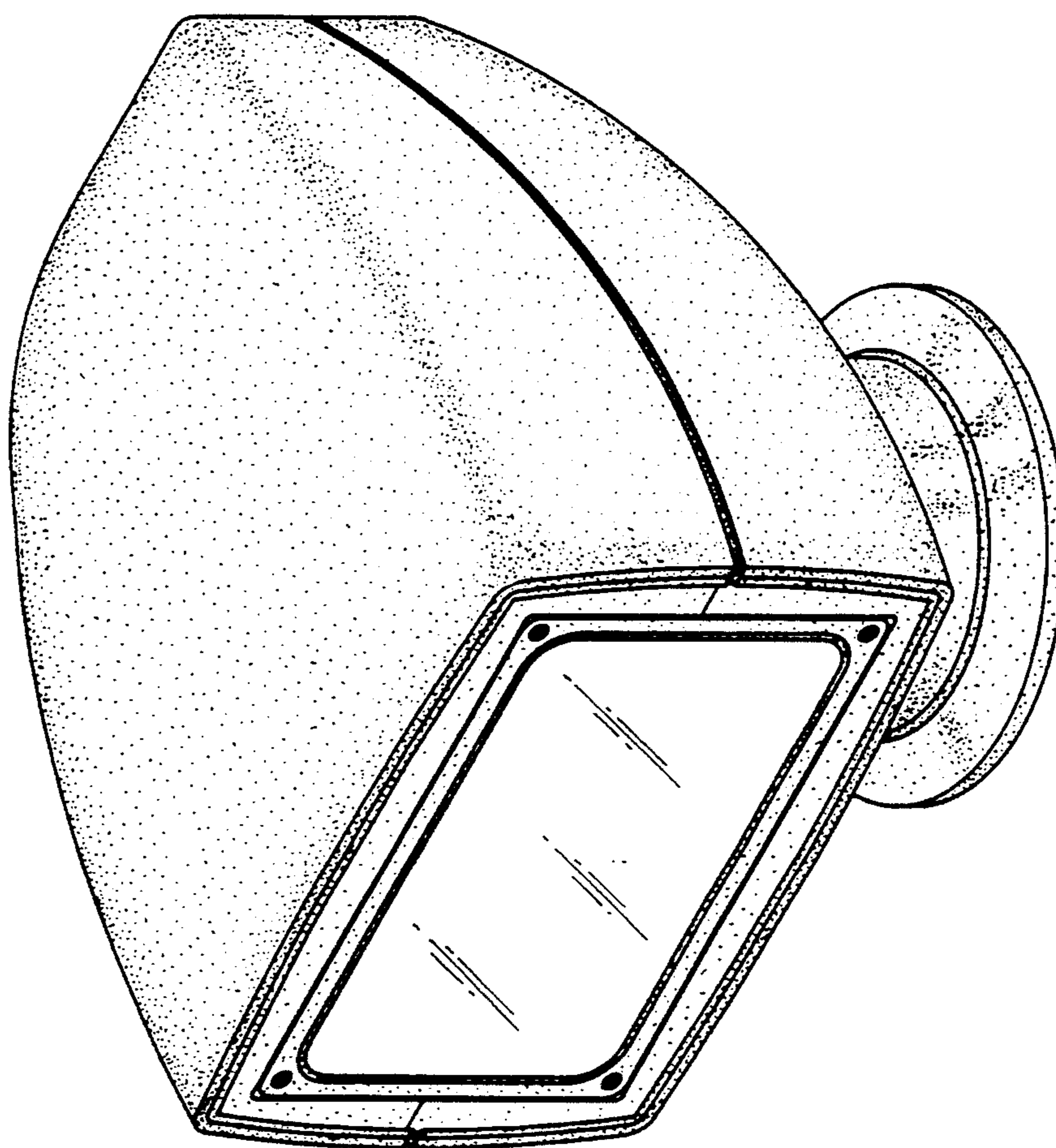


FIG. 3

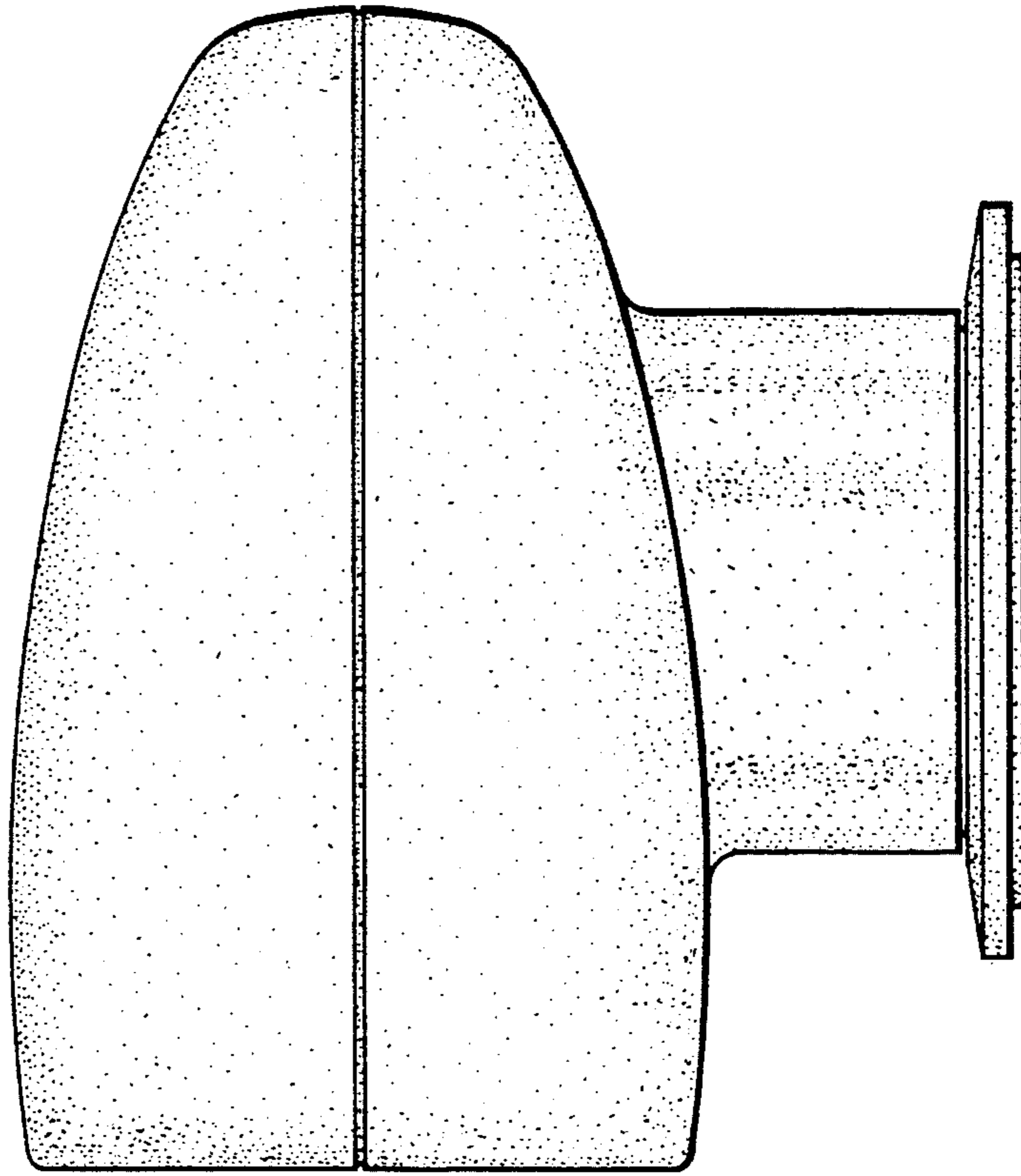


FIG. 2

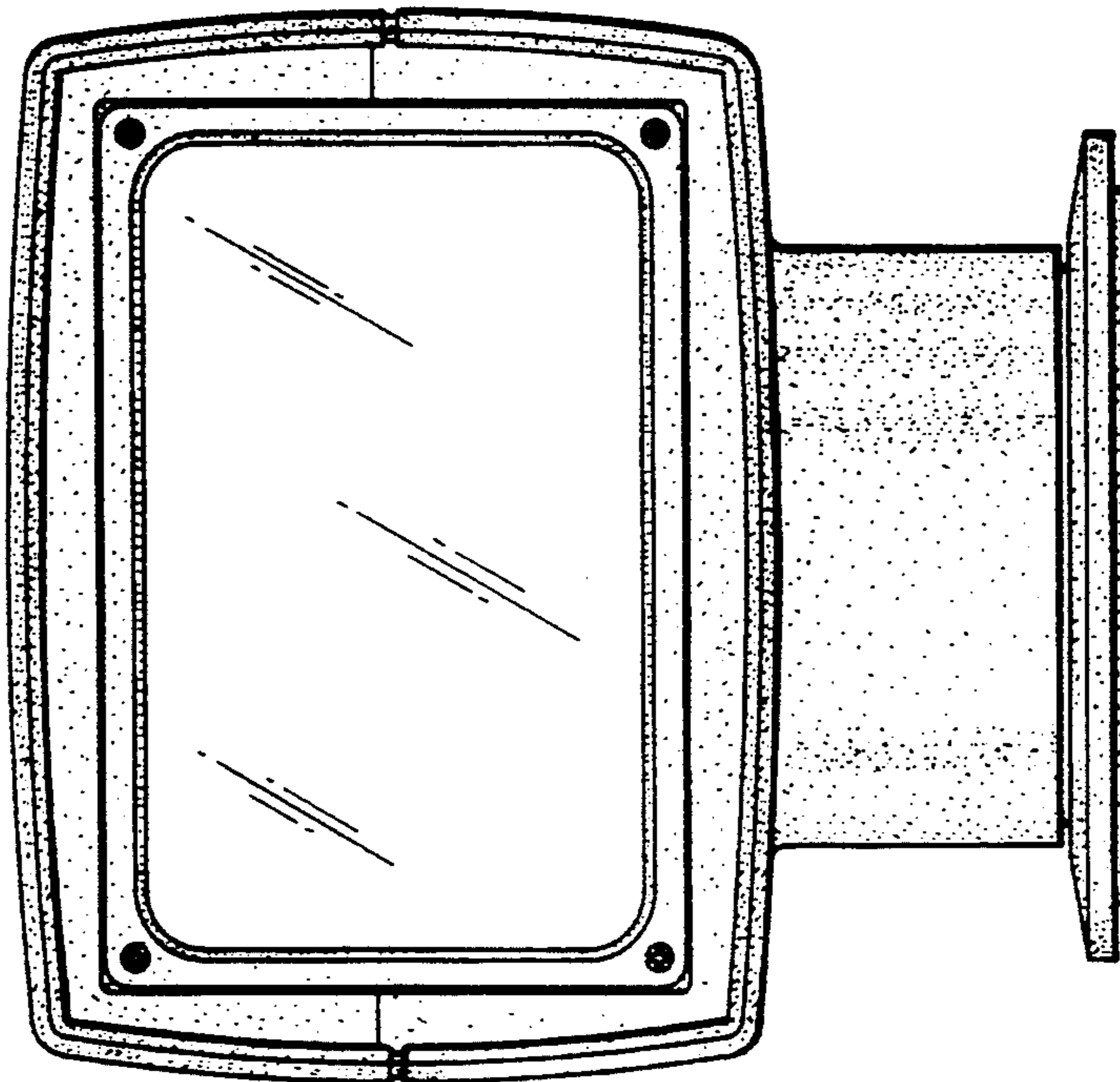


FIG. 4

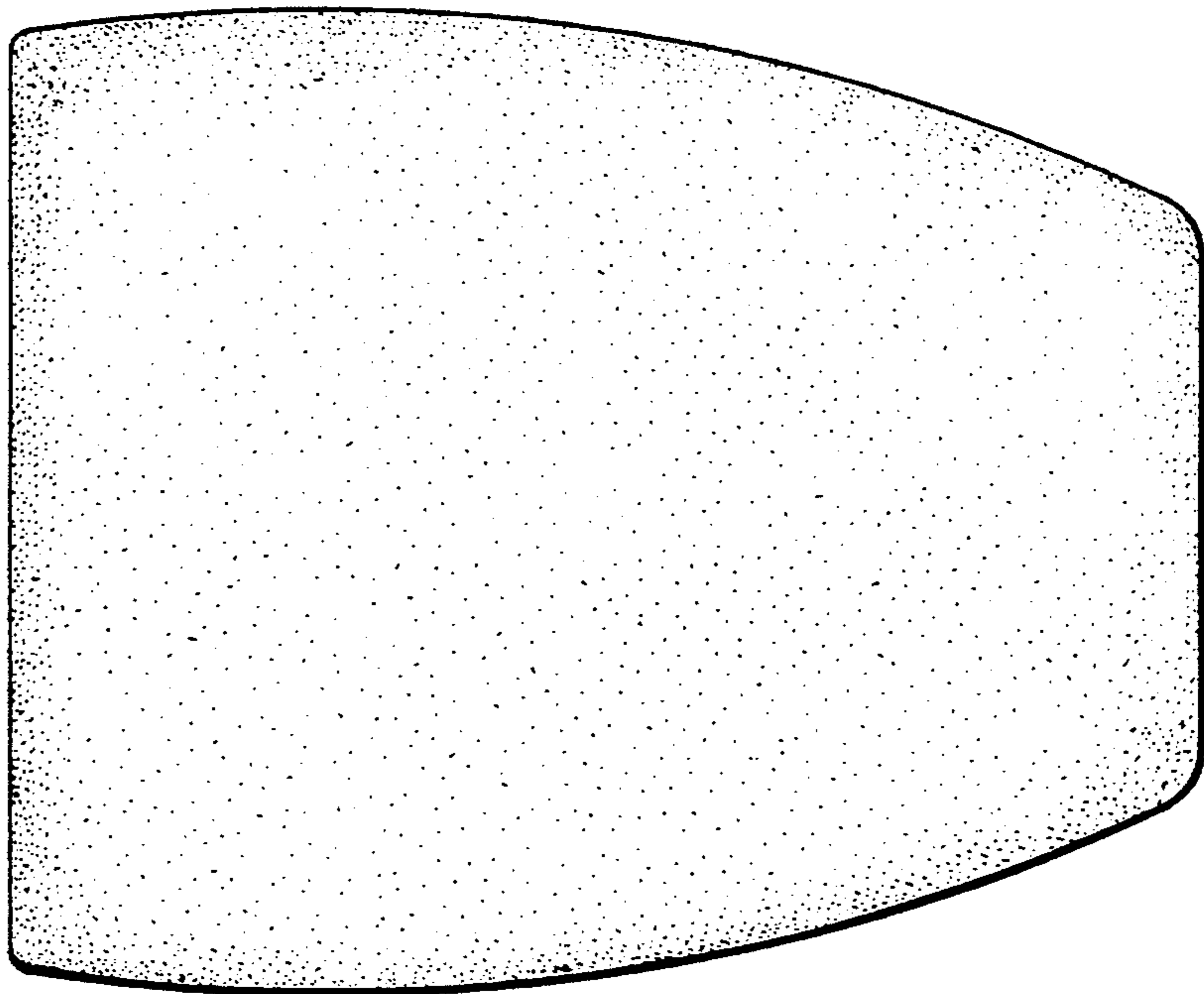


FIG. 5

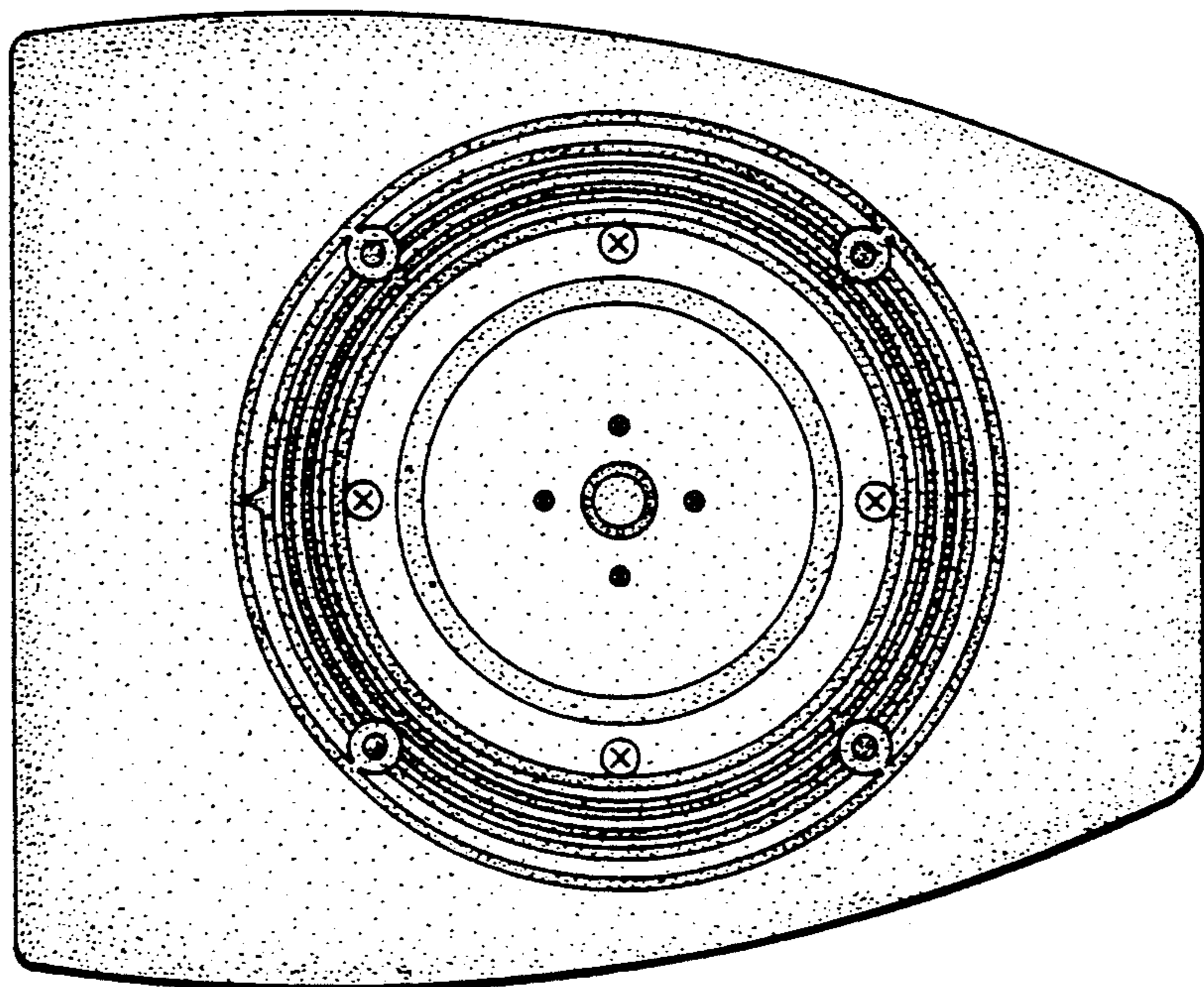


FIG. 6

