



US00D351239S

United States Patent [19]

[11] Patent Number: **Des. 351,239**

Klenert

[45] Date of Patent: **** Oct. 4, 1994**

[54] **EARTH-RETAINING MODULE**

[76] Inventor: **Oskar H. Klenert**, P.O. Box 249, N. Easton, Mass. 02356-0249

[**] Term: **14 Years**

[21] Appl. No.: **16,807**

[22] Filed: **Dec. 23, 1993**

[52] U.S. Cl. **D25/113**

[58] Field of Search 52/596, 602, 607-609; 405/284, 286; D25/112-115, 118, 151

[56] **References Cited**

U.S. PATENT DOCUMENTS

D. 241,634	9/1976	Nickerson	D25/113
1,651,893	12/1927	Jorgensen	52/602
2,960,797	11/1960	Frenner	405/284
5,154,542	10/1992	Klenert	.	

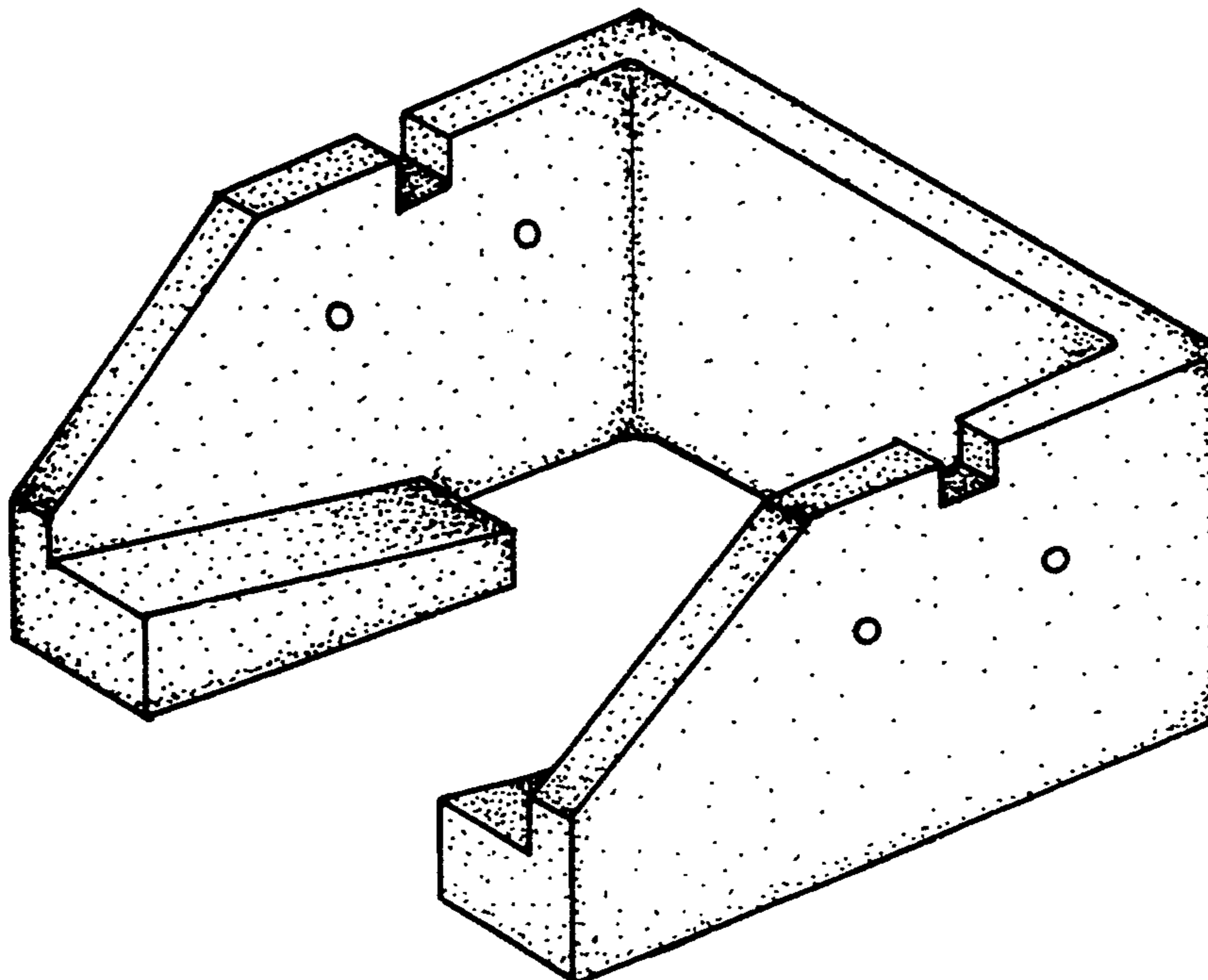
Primary Examiner—A. Hugo Word
Assistant Examiner—Doris Clark
Attorney, Agent, or Firm—Richard P. Crowley

[57] **CLAIM**

The ornamental design for an earth-retaining module, as shown and described.

DESCRIPTION

FIG. 1 is a perspective view from above of an earth-retaining module showing an embodiment of my new design;
FIG. 2 is a top plan view thereof;
FIG. 3 is a rear plan view thereof;
FIG. 4 is a side elevational view thereof, with the opposite side elevation being a mirror image;
FIG. 5 is a bottom plan view thereof;
FIG. 6 is a front elevational view thereof;
FIG. 7 is a perspective view from above of another embodiment of my new design;
FIG. 8 is a top plan view of my design of FIG. 7;
FIG. 9 is a rear plan view of my design of FIG. 7;
FIG. 10 is a side elevational view of my design of FIG. 7, with the other side being a mirror image;
FIG. 11 is a bottom plan view of my design of FIG. 7; and,
FIG. 12 is a front elevational view of my design of FIG. 7.



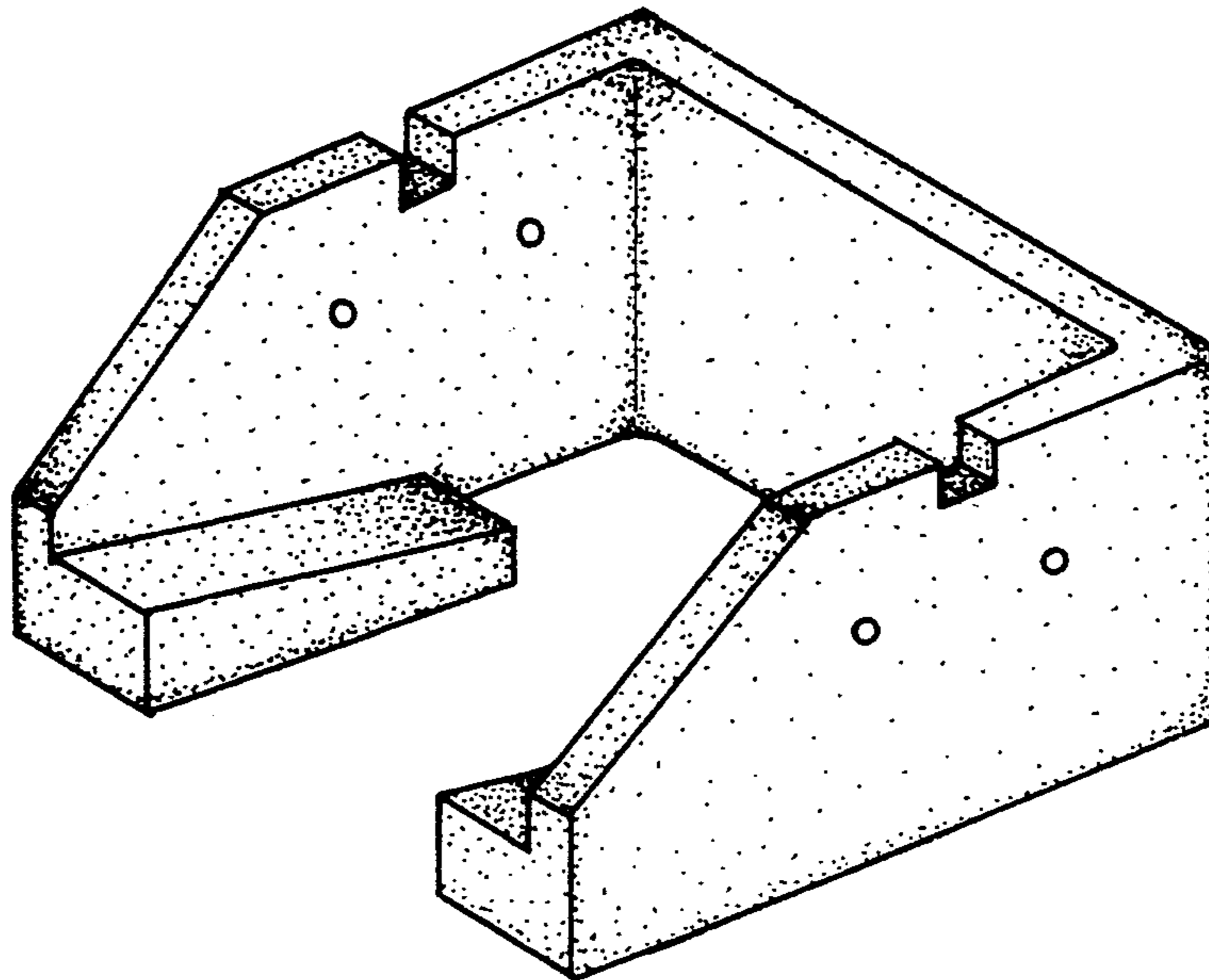


FIG. 1

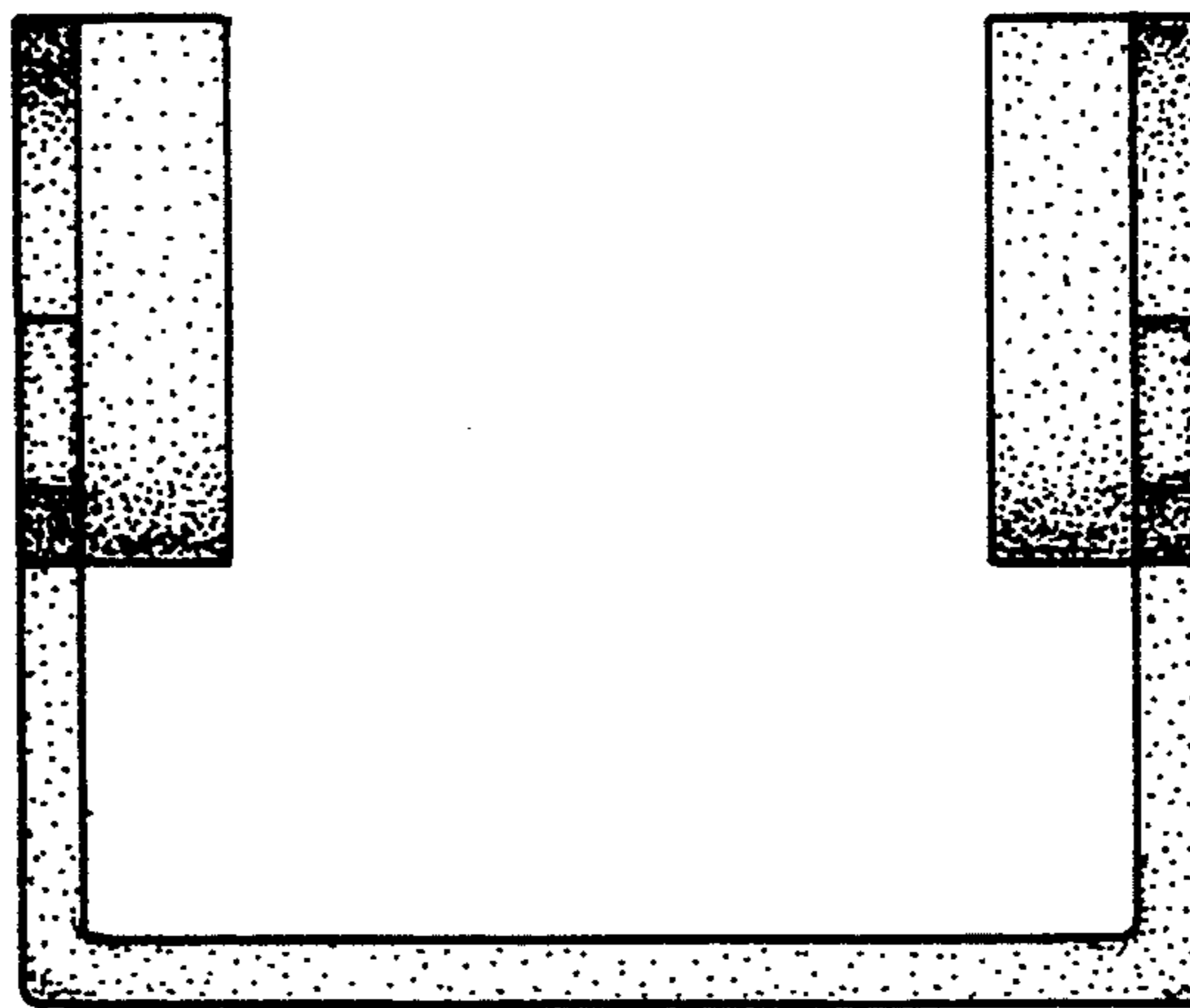


FIG. 2

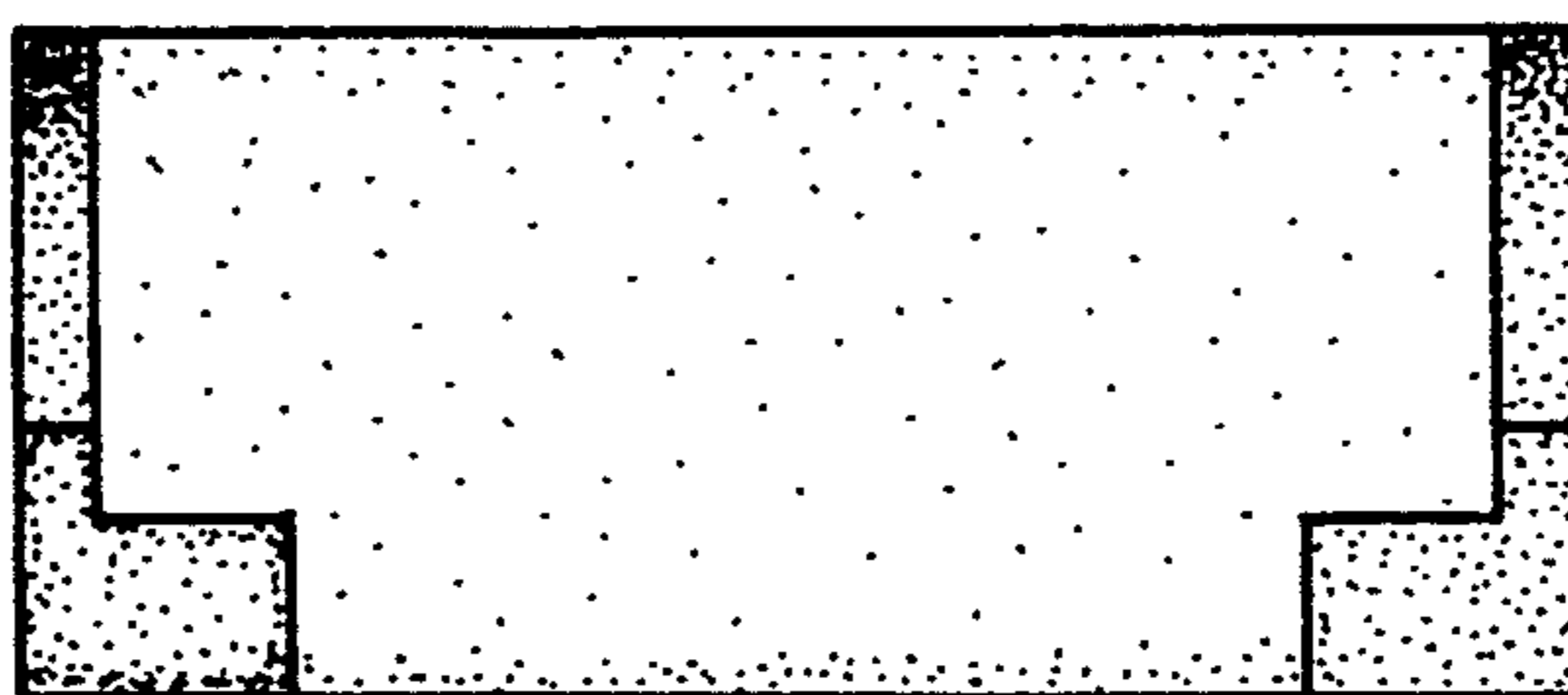


FIG. 3

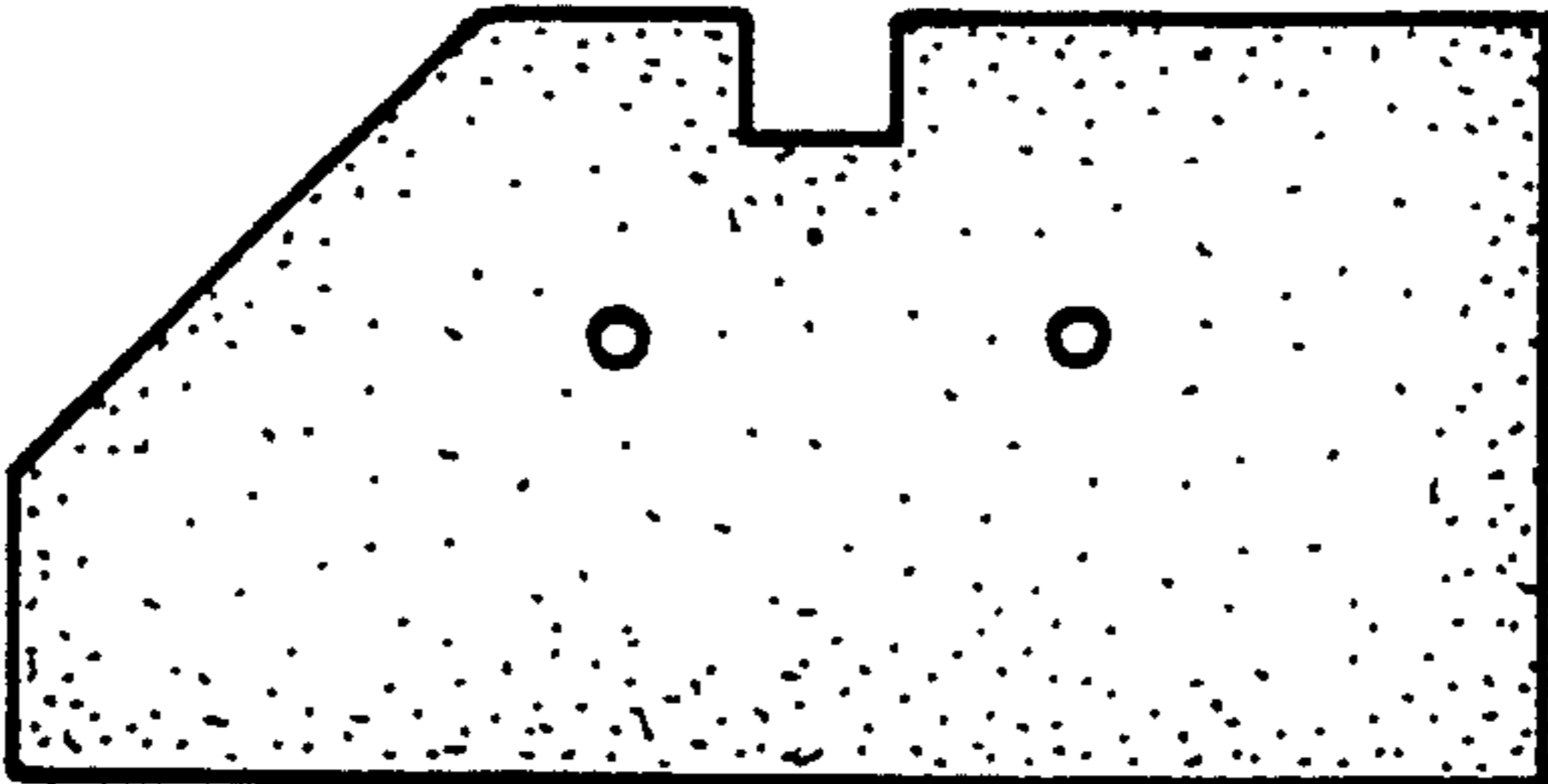


FIG. 4

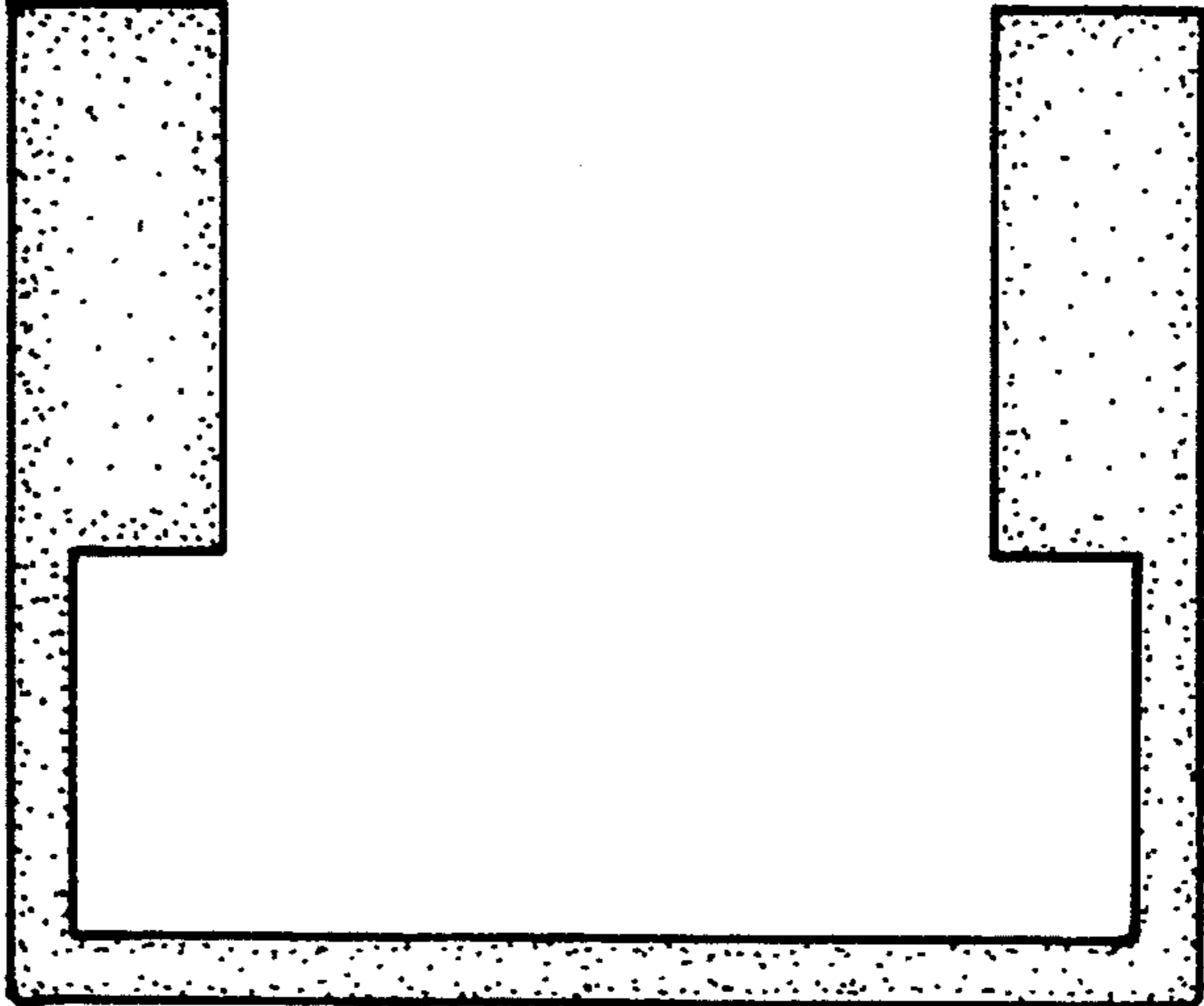


FIG. 5

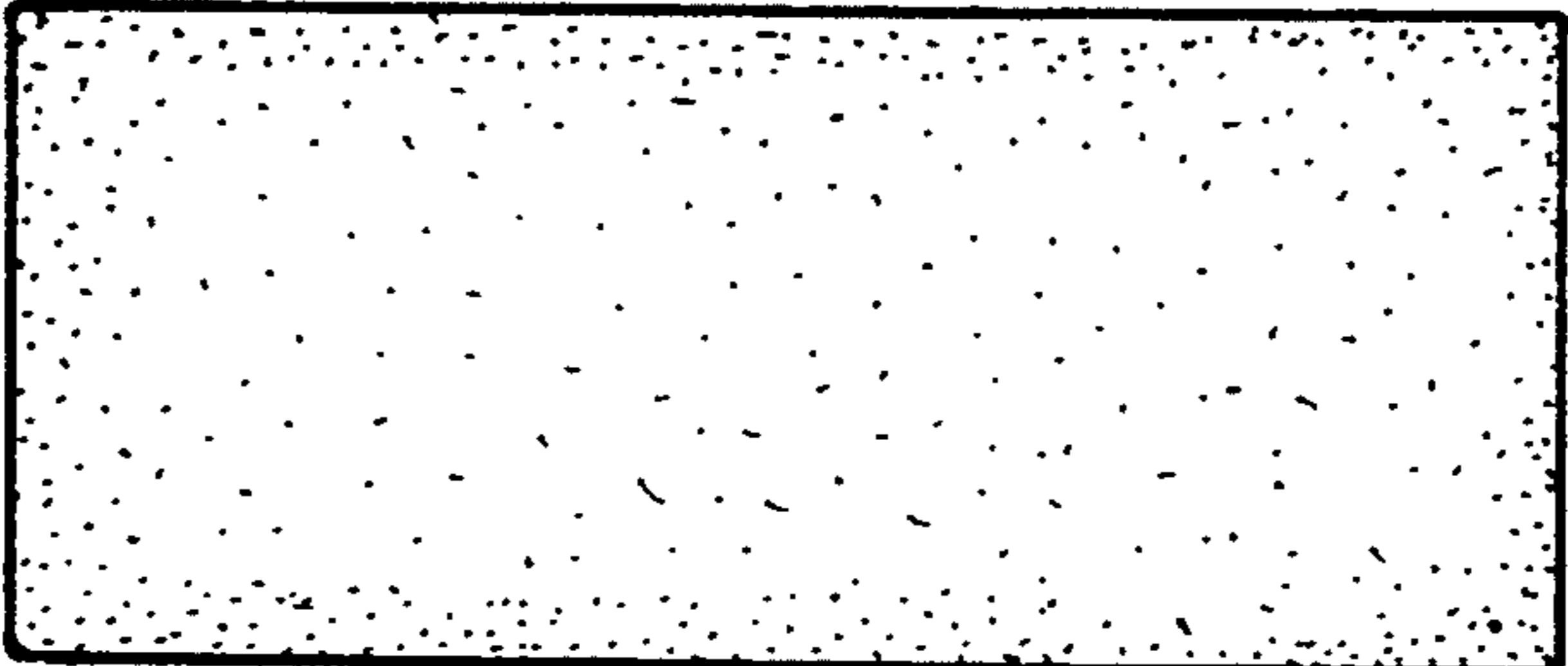


FIG. 6

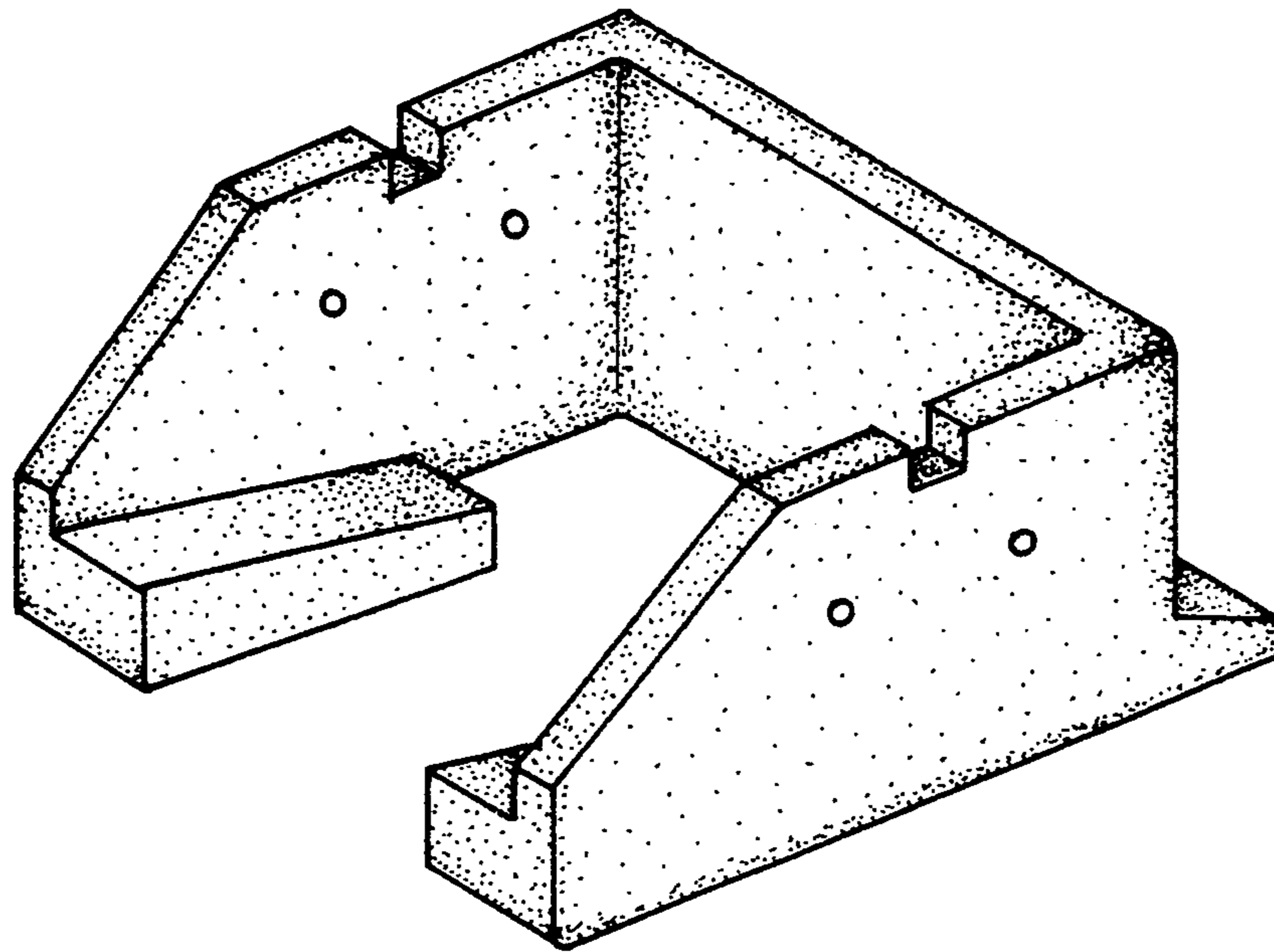


FIG. 7

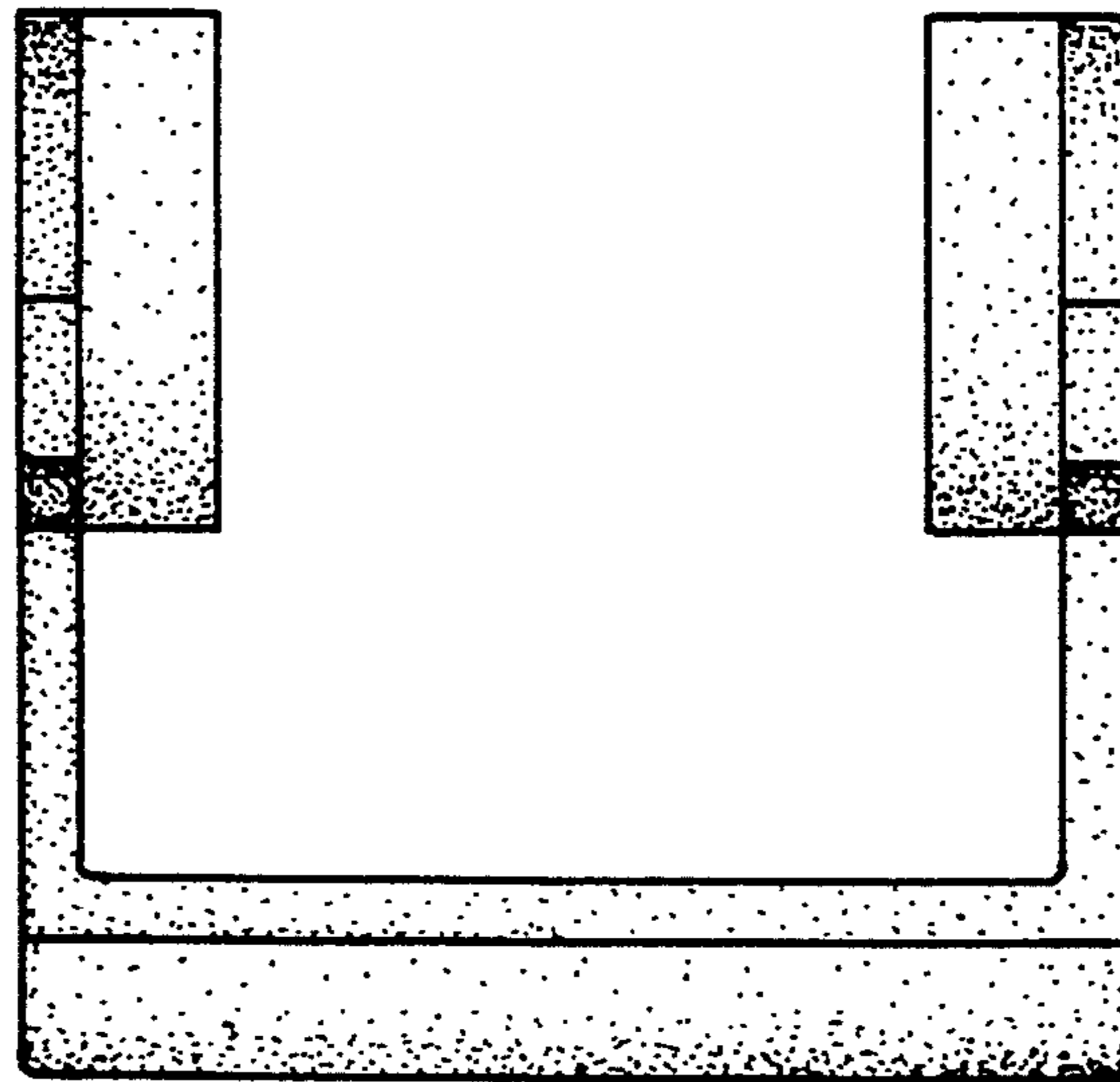


FIG. 8

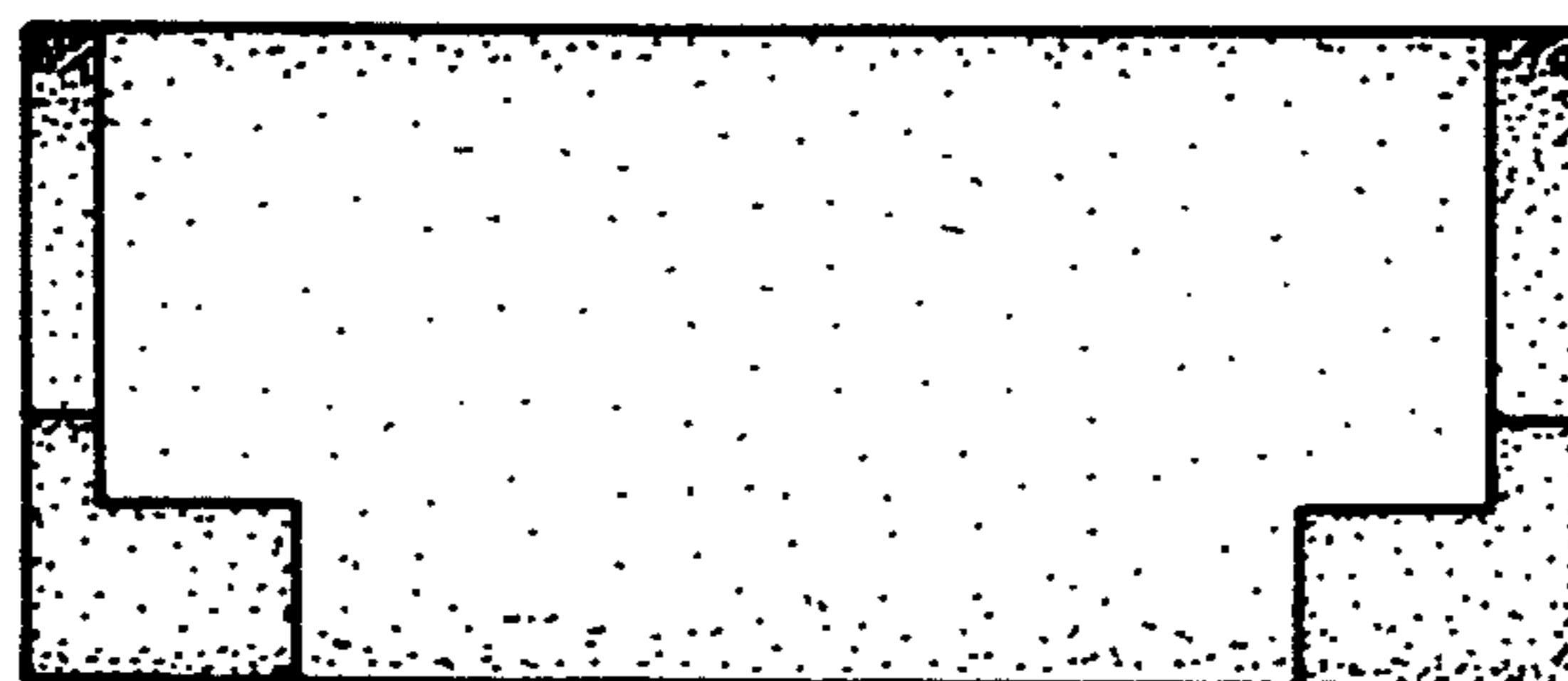


FIG. 9

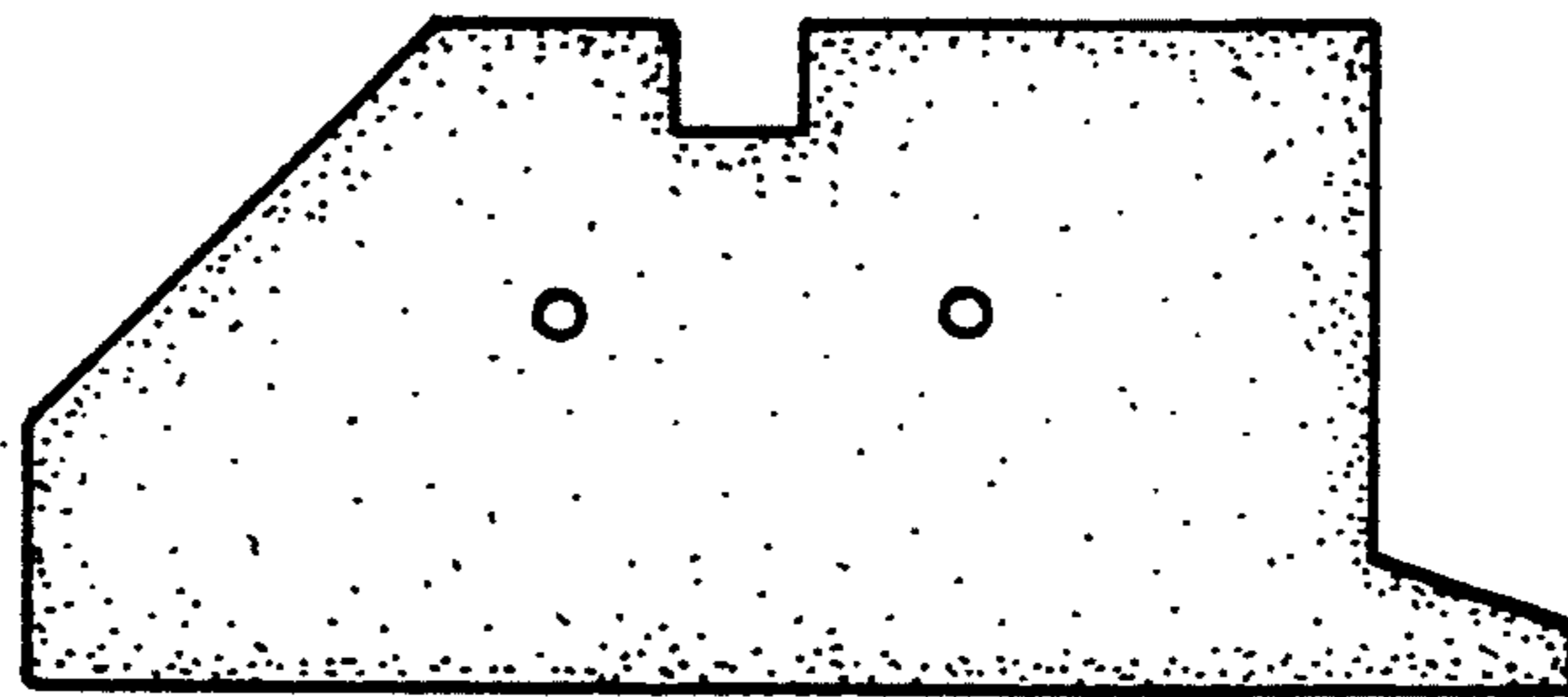


FIG. 10

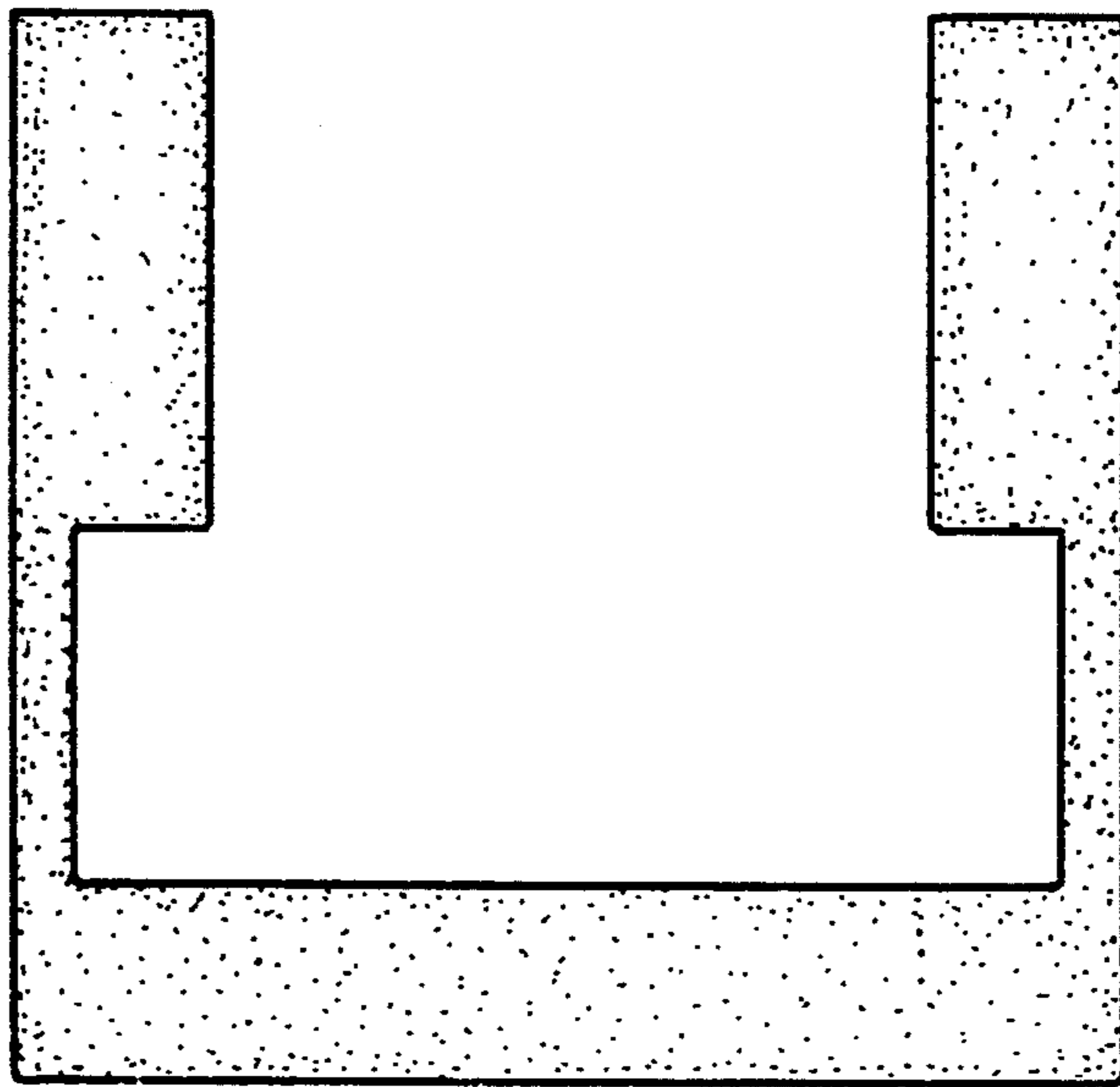


FIG. 11

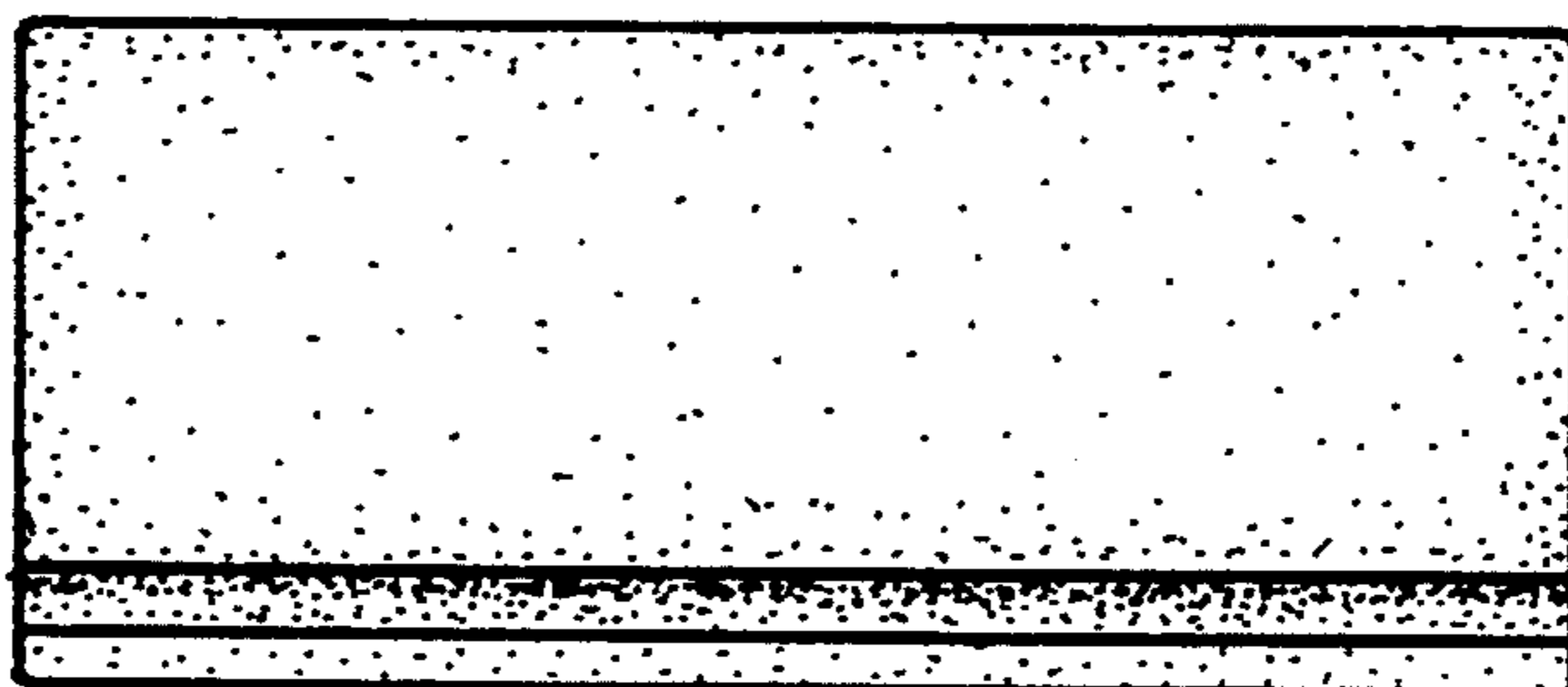


FIG. 12