



US00D351237S

United States Patent [19]

[11] Patent Number: **Des. 351,237**

Dock

[45] Date of Patent: **** Oct. 4, 1994**

[54] POCKET MEDICATION CONTROLLER

DESCRIPTION

[76] Inventor: **Sydney Dock**, 1215 12th St., Northfield, Ill. 60093

[**] Term: **14 Years**

[21] Appl. No.: **926,954**

[22] Filed: **Aug. 10, 1992**

[52] U.S. Cl. **D24/229; D9/339**

[58] Field of Search **D9/339; 221/2, 3, 15, 221/5, 72, 83, 91, 90; D24/226, 227, 229, 230**

FIG. 1 is a perspective view of the pocket medication controller in a folded state thereof;

FIG. 2 is a perspective view of the pocket medication controller in an unfolded state thereof;

FIG. 3 is a side view of the pocket medication controller in its unfolded state;

FIG. 4 is a front side view of the pocket medication controller in its unfolded state;

FIG. 5 is a rear side view of the pocket medication controller in its unfolded state;

FIG. 6 is a side view of a timing pin of the pocket medication controller;

FIG. 7 is a top plan view of the pin of FIG. 6;

FIG. 8 is a bottom plan view of the pin of FIG. 6;

FIG. 9 is a rear side view of the pocket medication controller in its folded state;

FIG. 10 is a side view of the pocket medication controller in its folded state;

FIG. 11 is a front side view of the pocket medication controller in its folded state;

FIG. 12 is a top plan view of the pocket medication controller in its folded state;

FIG. 13 is a bottom plan view of the pocket medication controller in its folded state;

FIG. 14 is a bottom plan view of the pocket medication controller in its unfolded state; and,

FIG. 15 is a top plan view of the pocket medication controller in its unfolded state.

[56] References Cited

U.S. PATENT DOCUMENTS

D. 175,361	8/1955	Orenick	D24/229	X
D. 209,584	12/1967	Towe	D24/226	X
D. 209,853	1/1968	Barton et al.	D24/226	X
D. 212,872	10/1968	MacLachlan et al.	D9/339	
D. 215,649	10/1969	MacLachlan et al.	D9/339	
D. 218,400	8/1970	Walter	D9/339	
D. 312,394	11/1990	Hassey	D9/339	X
3,393,794	7/1968	Borin	D9/339	X
4,593,819	6/1986	Will	D24/229	X

Primary Examiner—James R. Largen
Assistant Examiner—I. Simmons
Attorney, Agent, or Firm—Kajane McManus

[57] CLAIM

The ornamental design for a pocket medication controller, as shown and described.

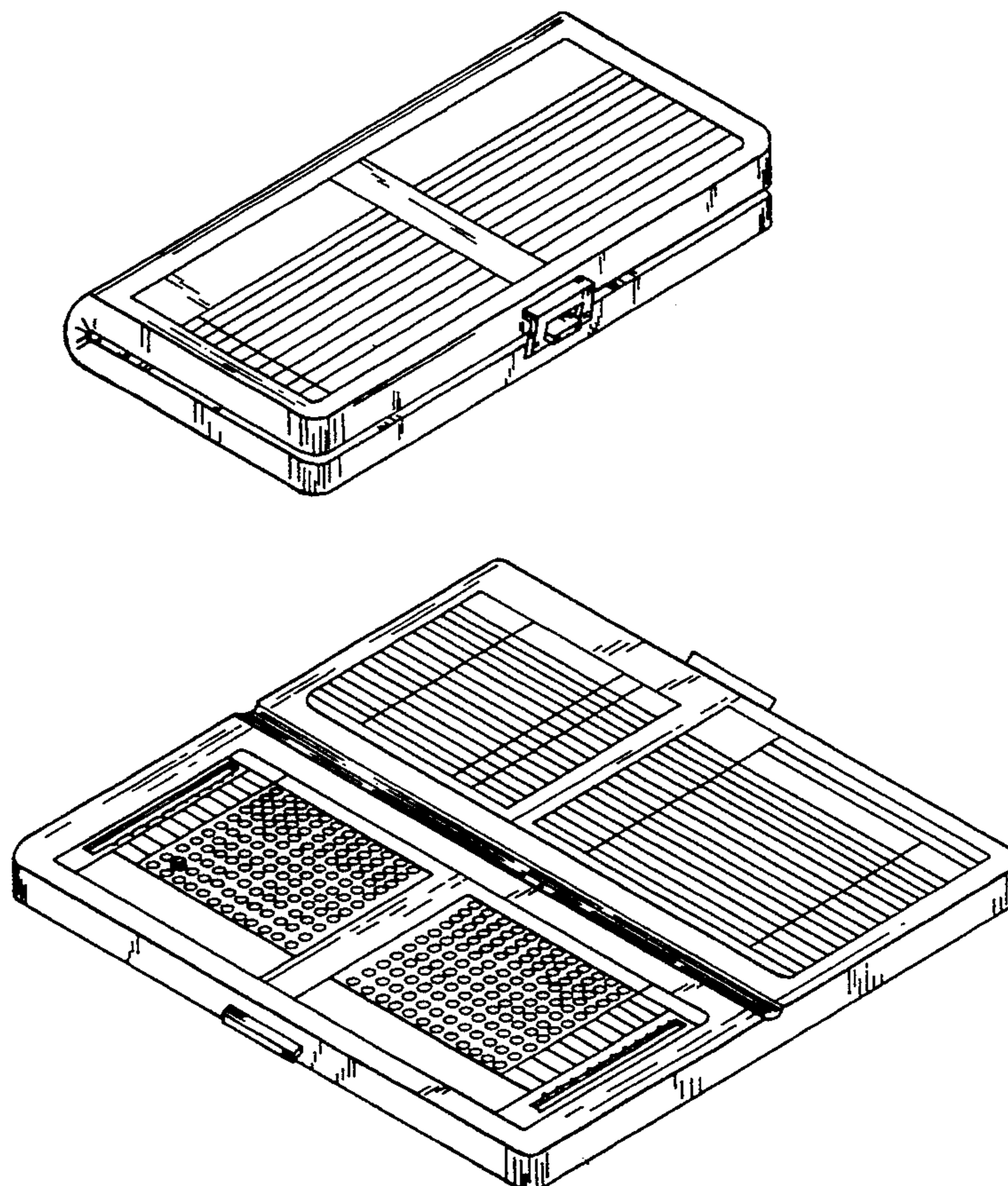


FIGURE 1

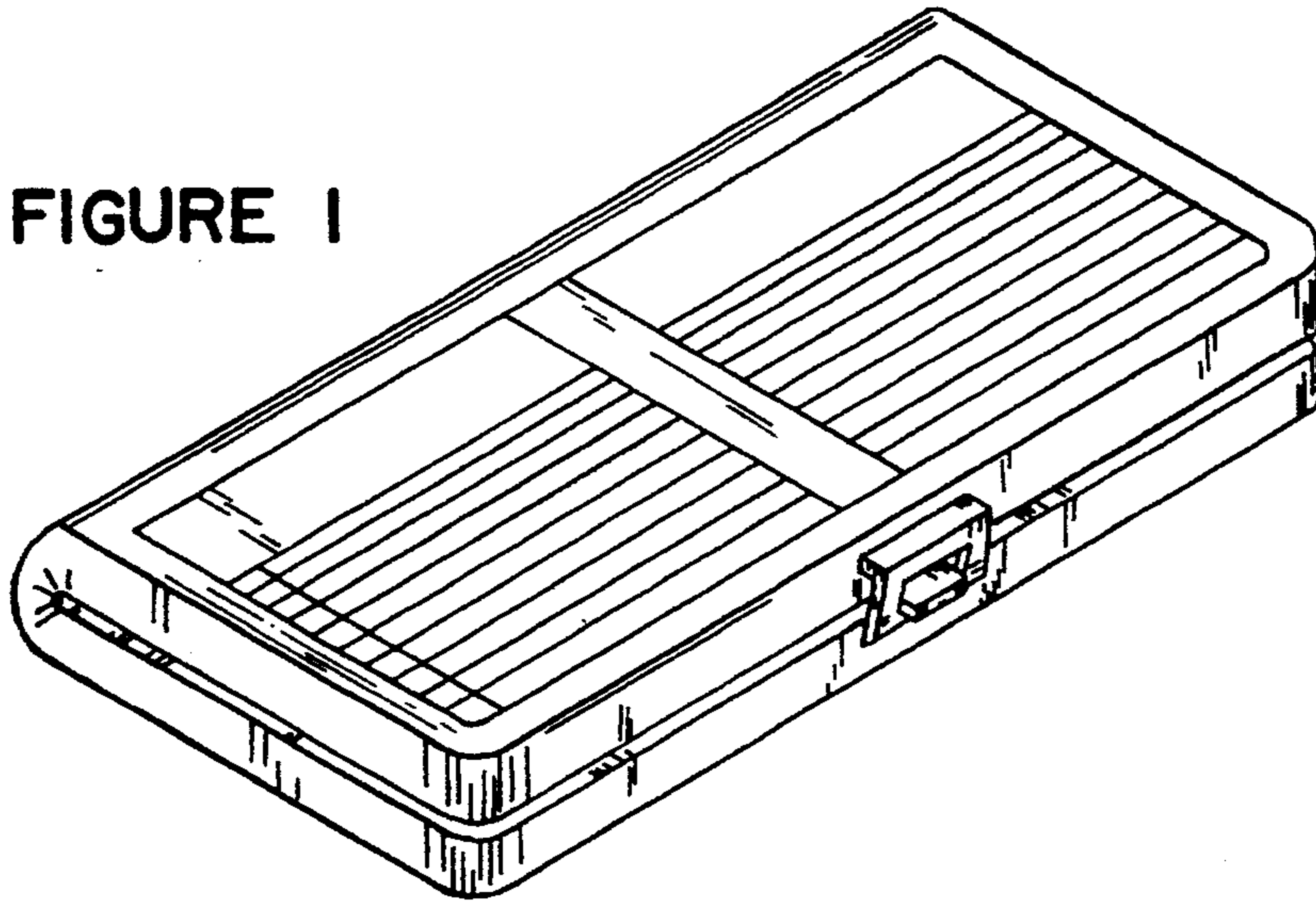


FIGURE 2

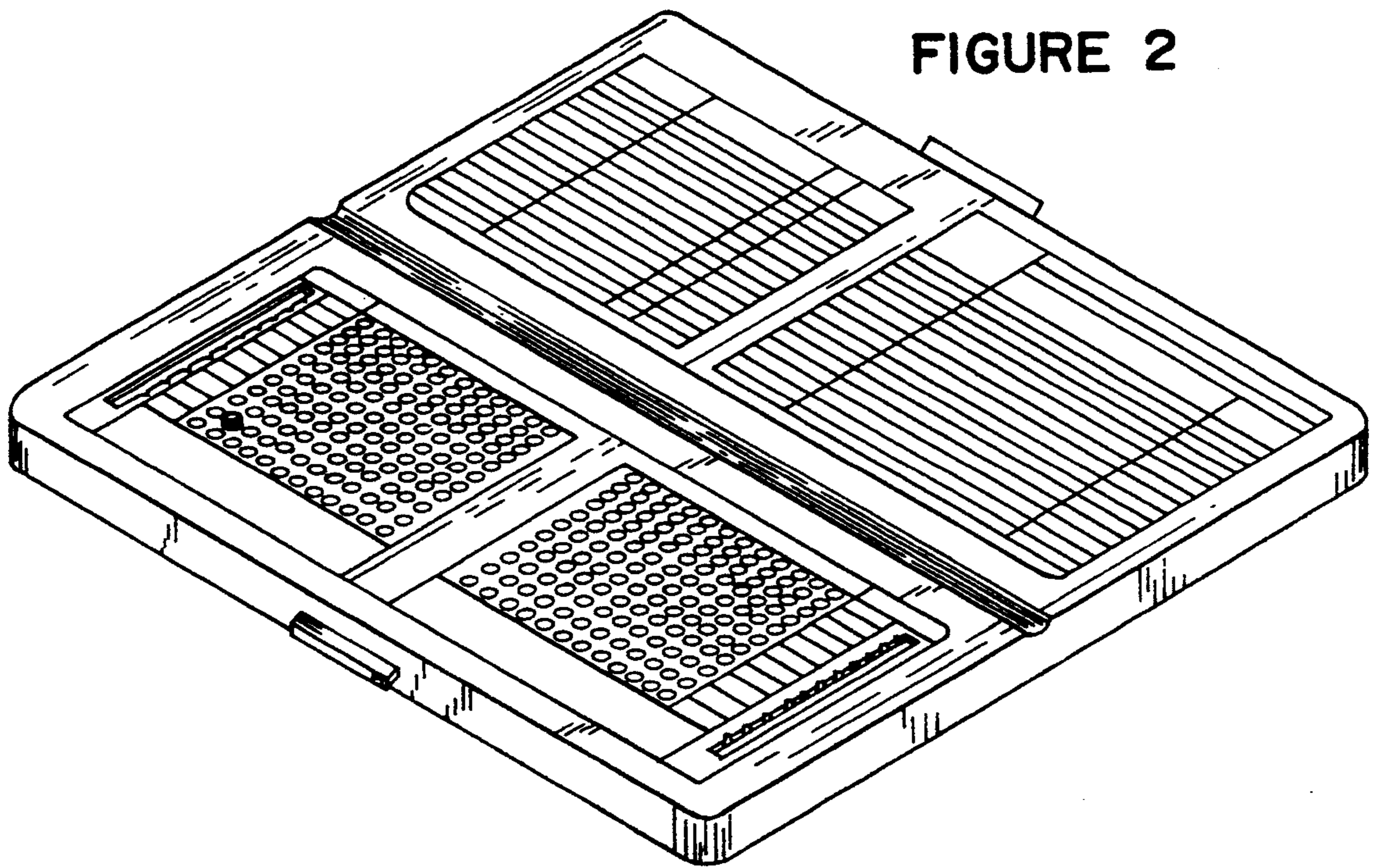


FIGURE 3

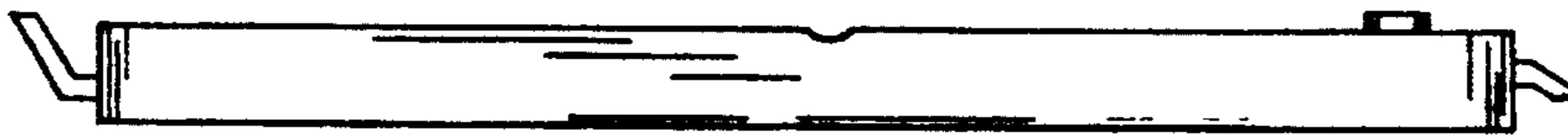


FIGURE 4

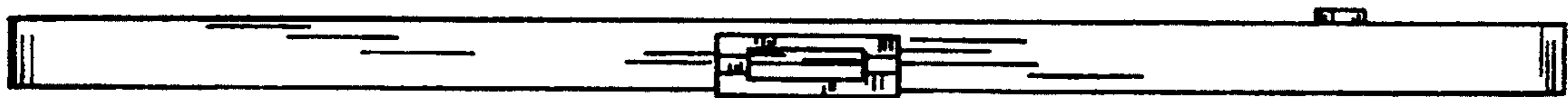


FIGURE 5



FIGURE 6

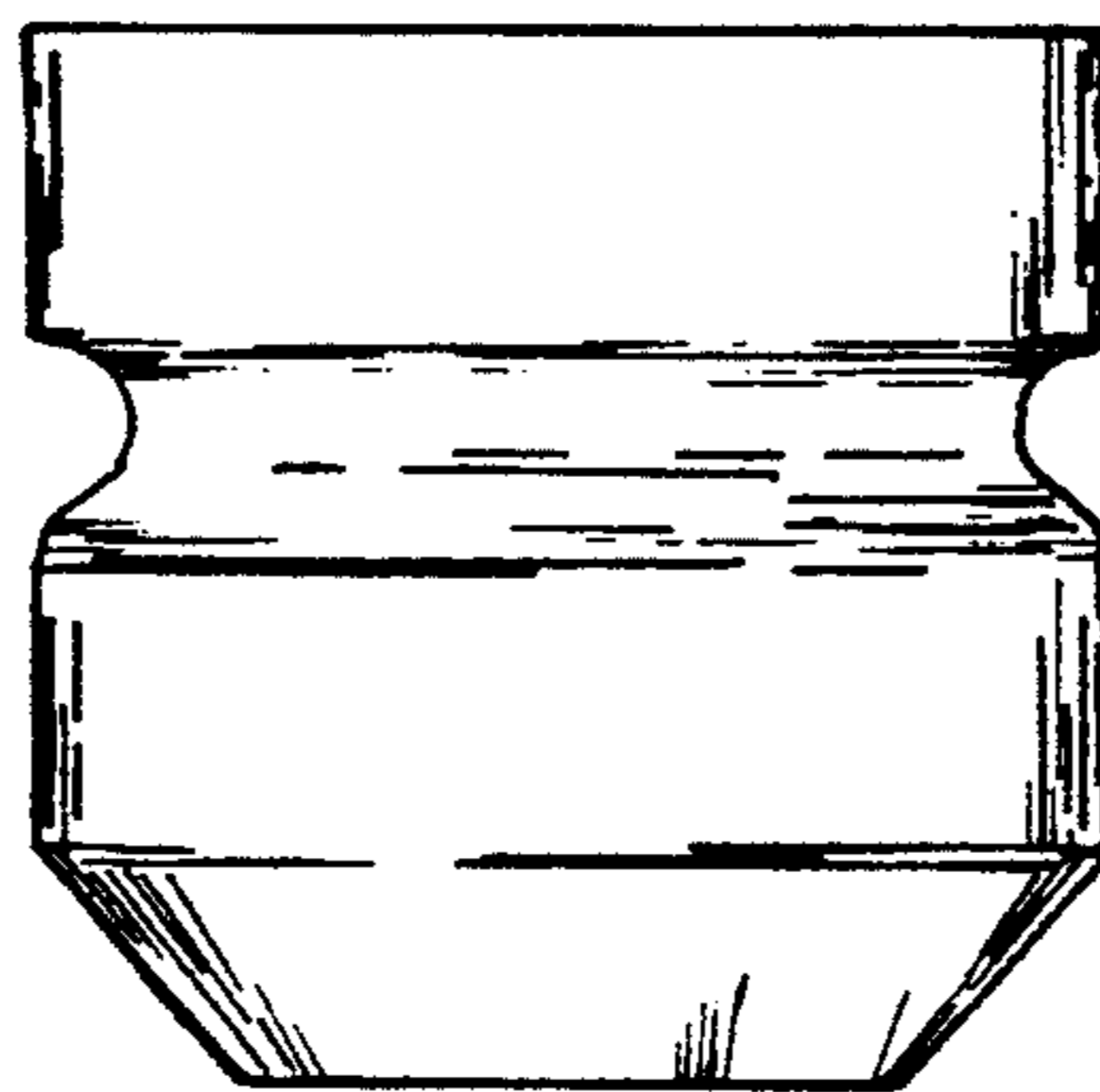


FIGURE 7

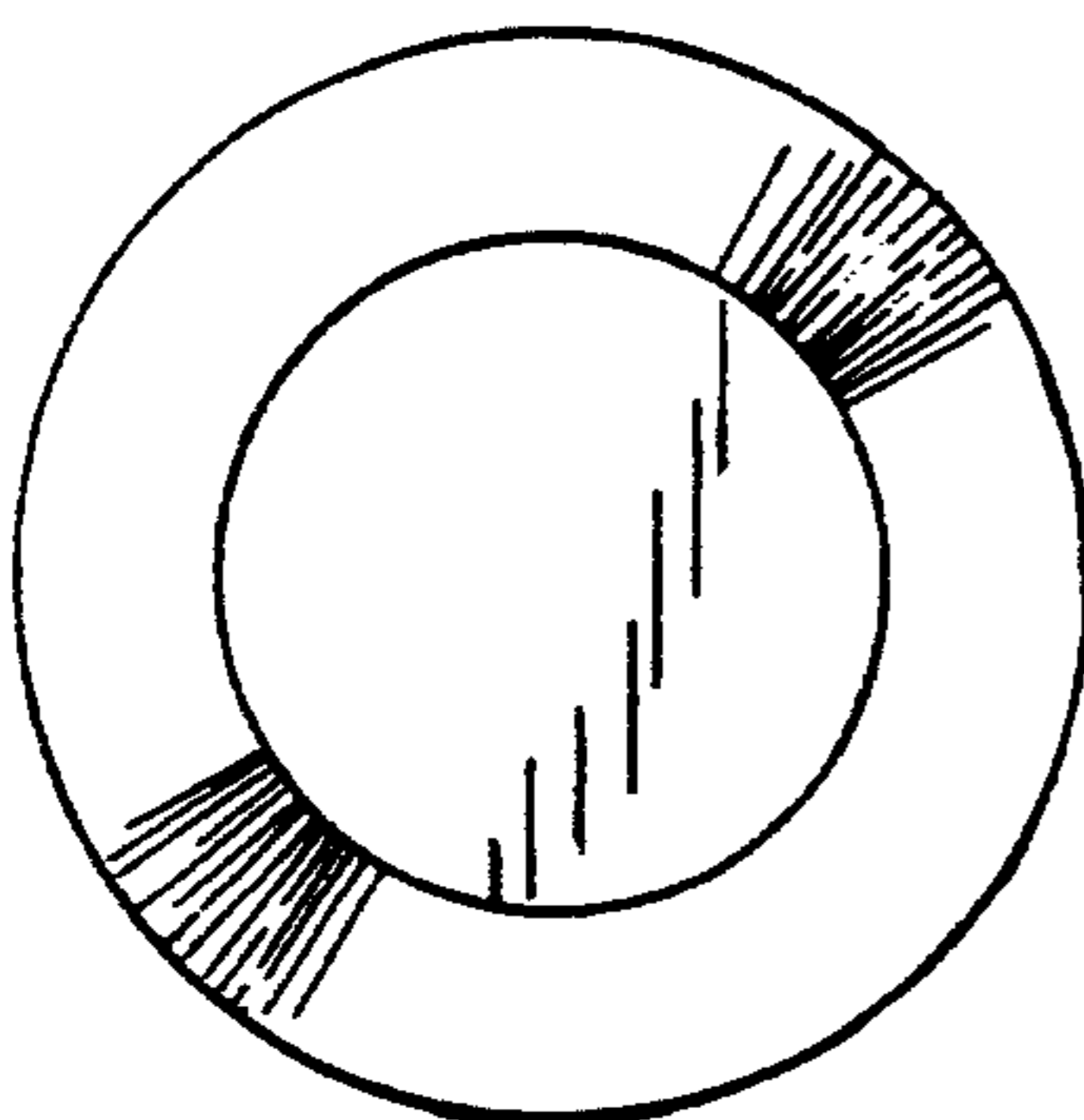
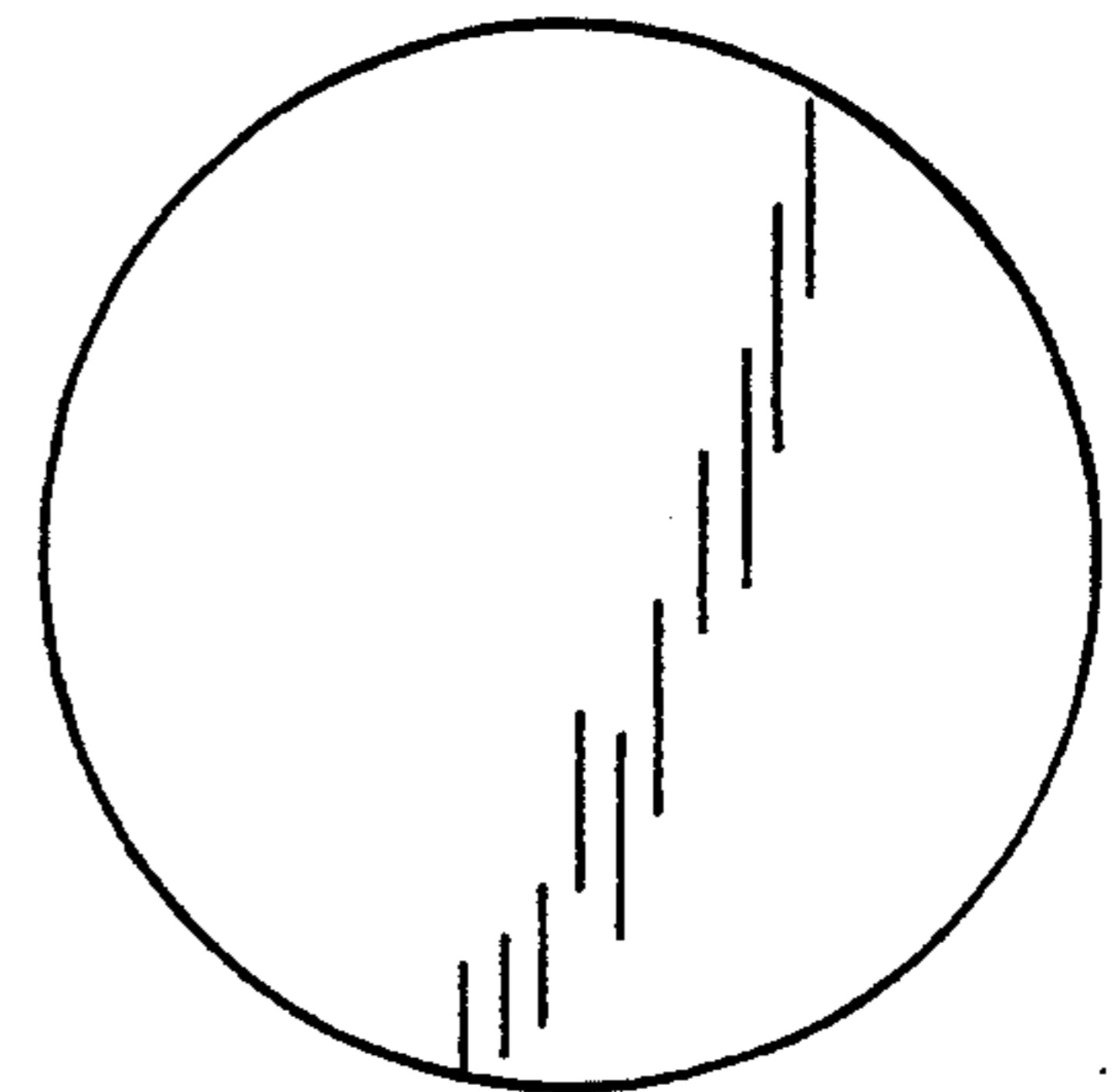


FIGURE 8

FIGURE 9

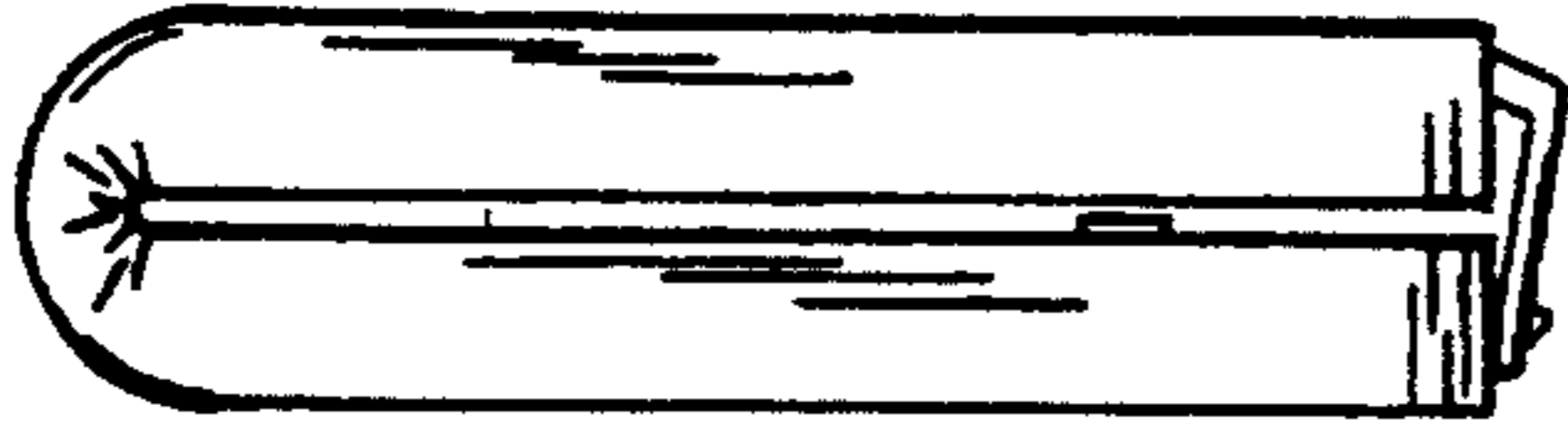
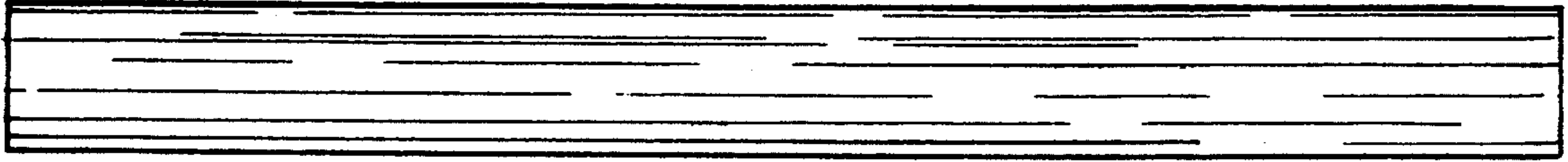


FIGURE 10

FIGURE 11

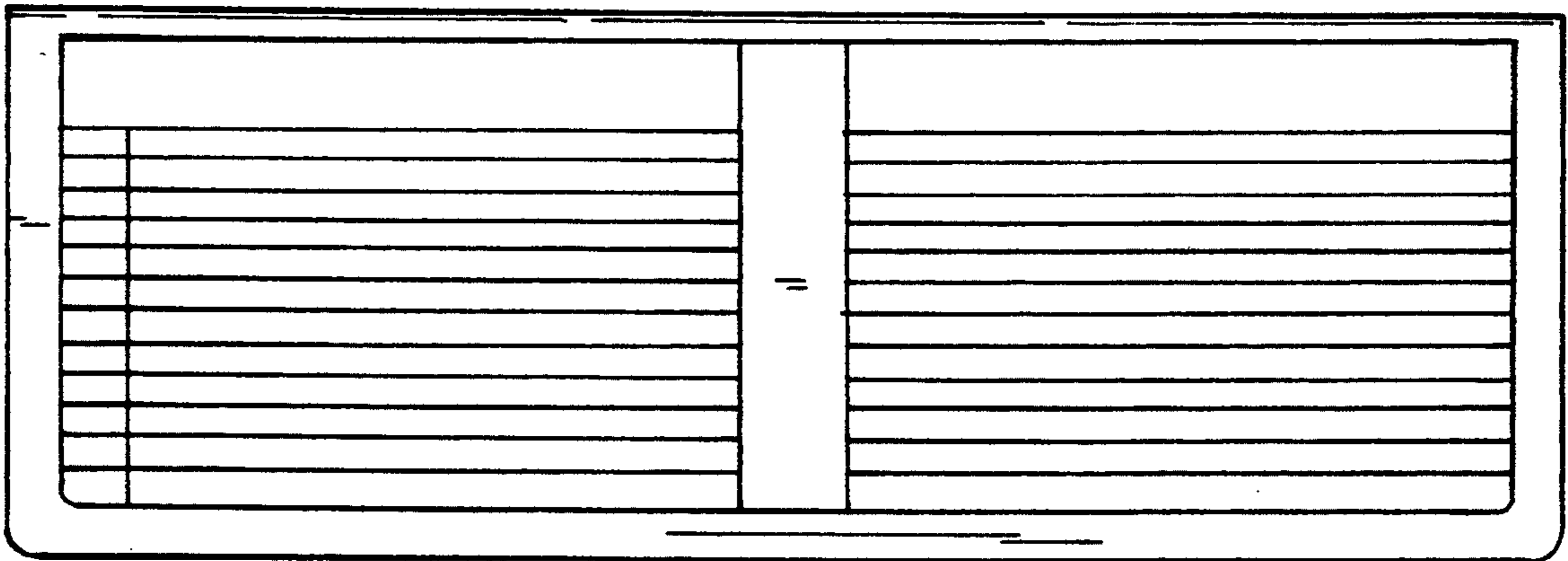
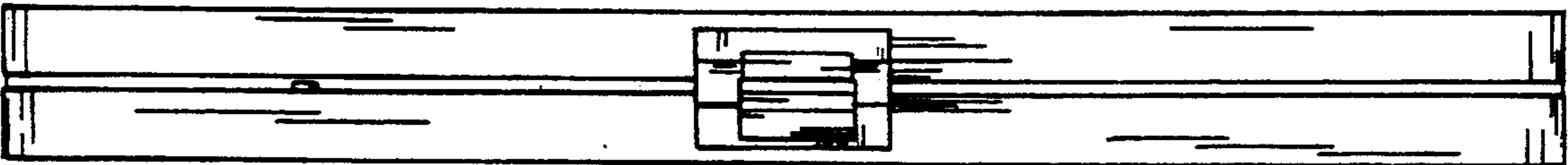


FIGURE 12

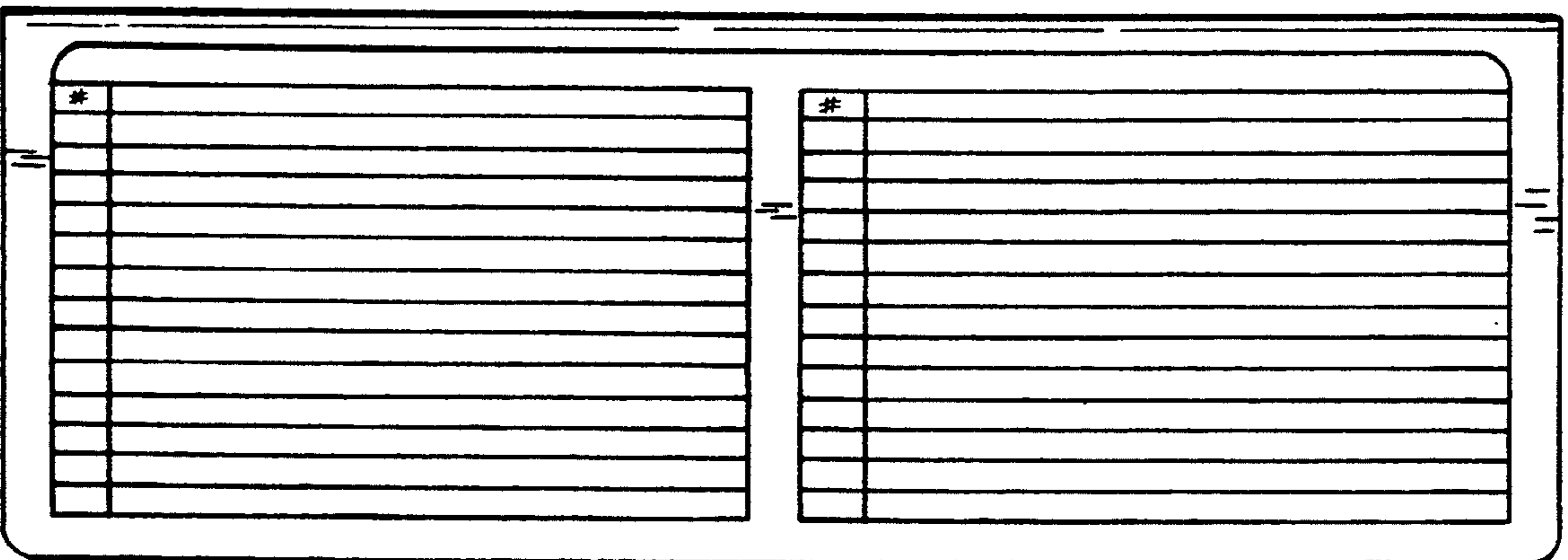


FIGURE 13

FIGURE 14

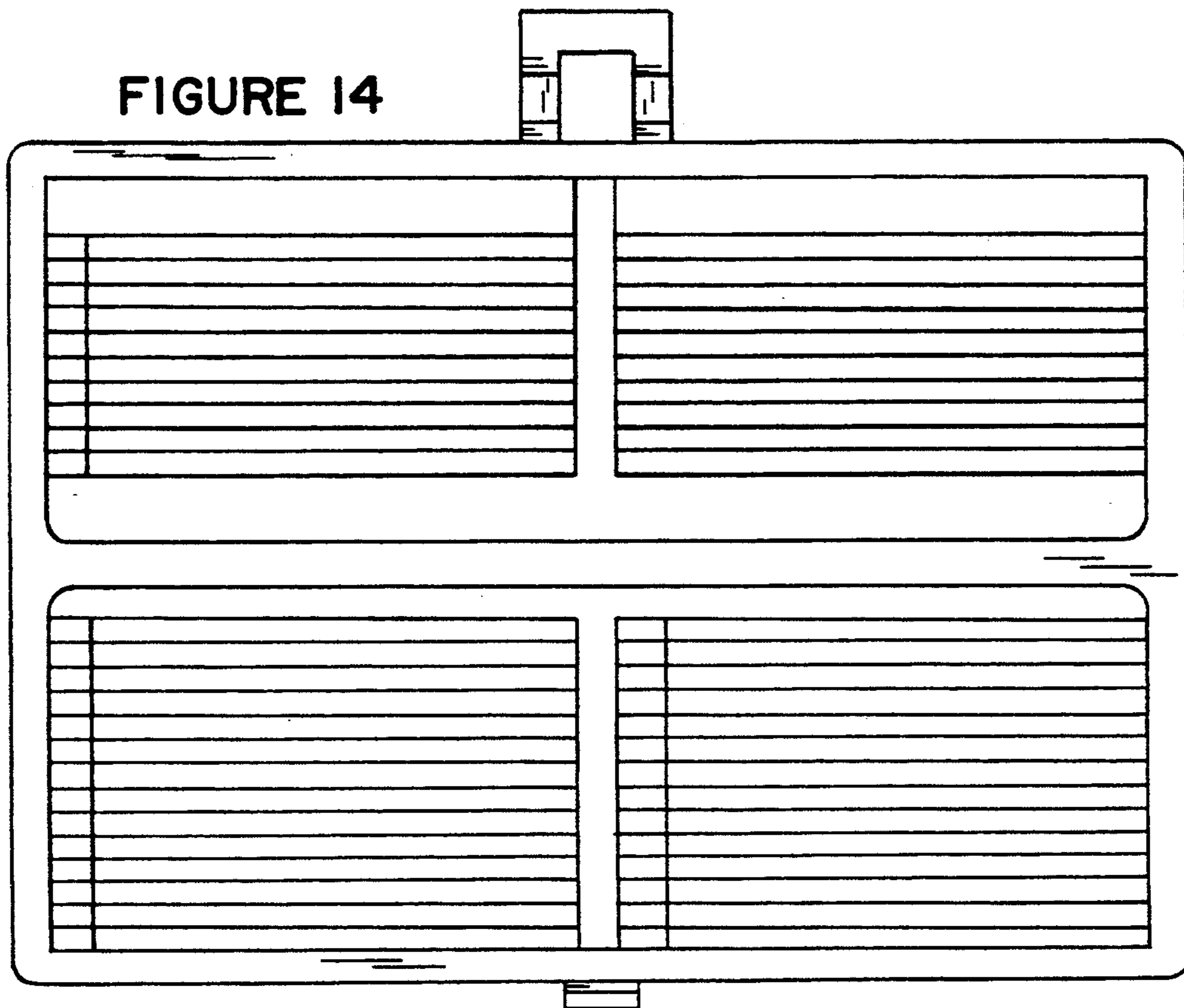


FIGURE 15

