



US00D351232S

United States Patent [19]

[11] Patent Number: **Des. 351,232**

Spence, Jr.

[45] Date of Patent: **** Oct. 4, 1994**

[54] **PACIFIER**

D. 299,064 12/1988 Berndt D24/195

[75] Inventor: **Meredith Spence, Jr.**, Cuyahoga Falls, Ohio

D. 337,825 7/1993 Craner D24/195

5,156,617 10/1992 Reid 606/236 X

[73] Assignee: **Lisco, Inc.**, Tampa, Fla.

Primary Examiner—Stella Reid

[**] Term: **14 Years**

[57] **CLAIM**

[21] Appl. No.: **12,210**

The ornamental design for a pacifier, as shown and described.

[22] Filed: **Aug. 27, 1993**

DESCRIPTION

[52] U.S. Cl. **D24/195**

FIG. 1 is a front view of a pacifier showing the design of my invention;

[58] Field of Search 606/234, 235, 236;
D24/195, 194, 196

FIG. 2 is a top view thereof;

FIG. 3 is a bottom view thereof;

FIG. 4 is a rear view thereof; and,

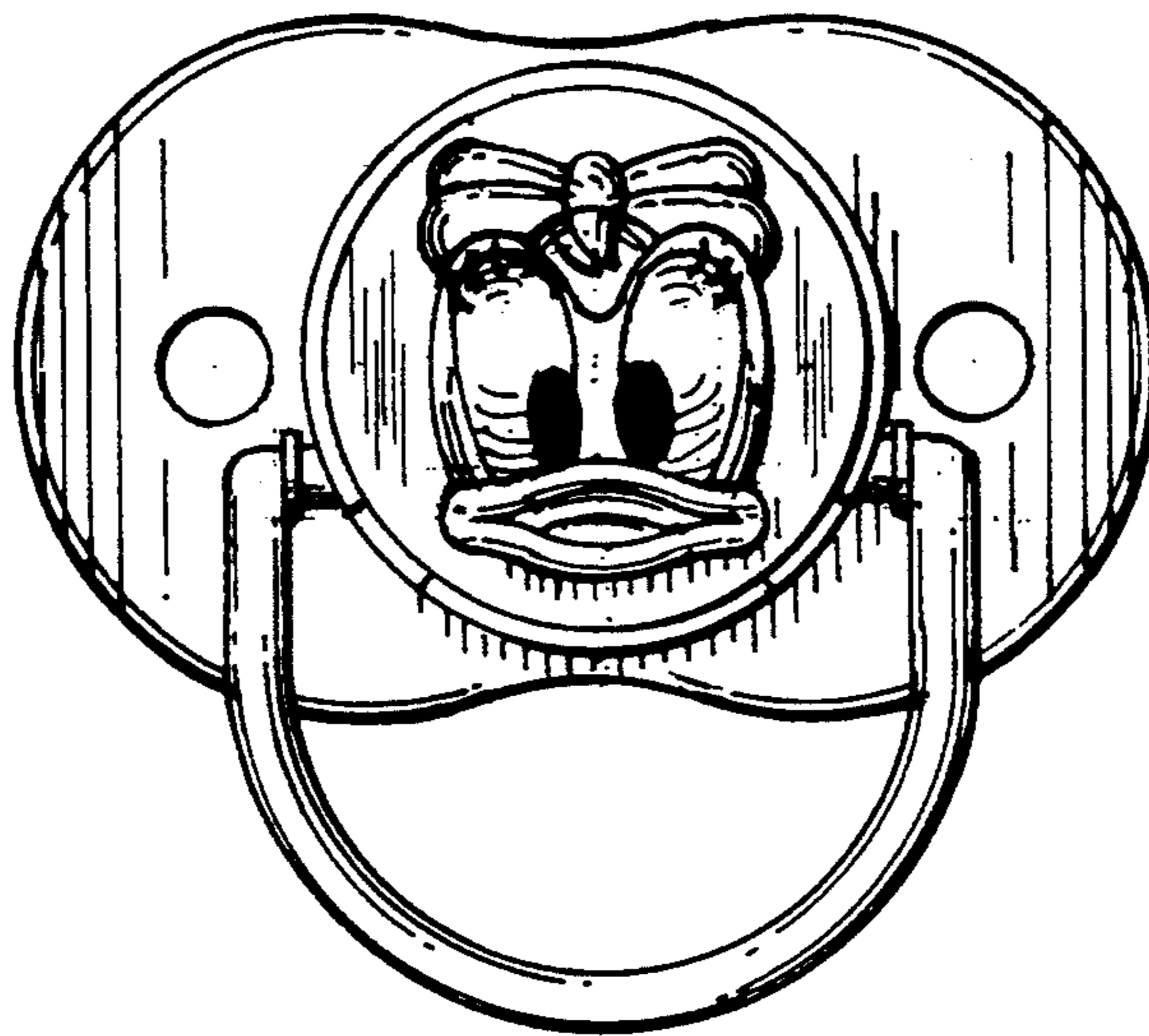
FIG. 5 is a right side view thereof.

The left side view is a mirror image of the right side view.

[56] References Cited

U.S. PATENT DOCUMENTS

D. 296,471 6/1988 Marriott D24/195



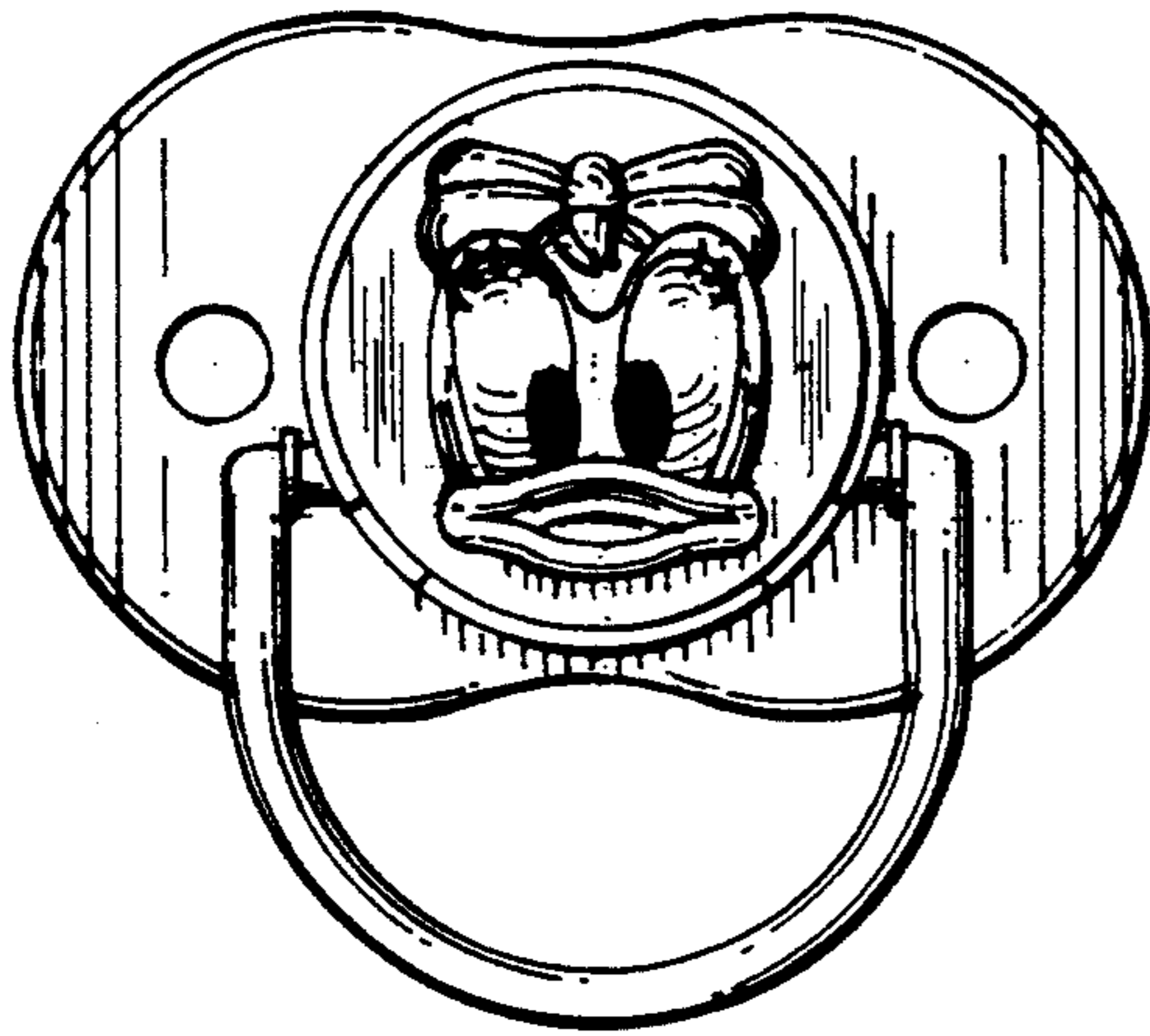
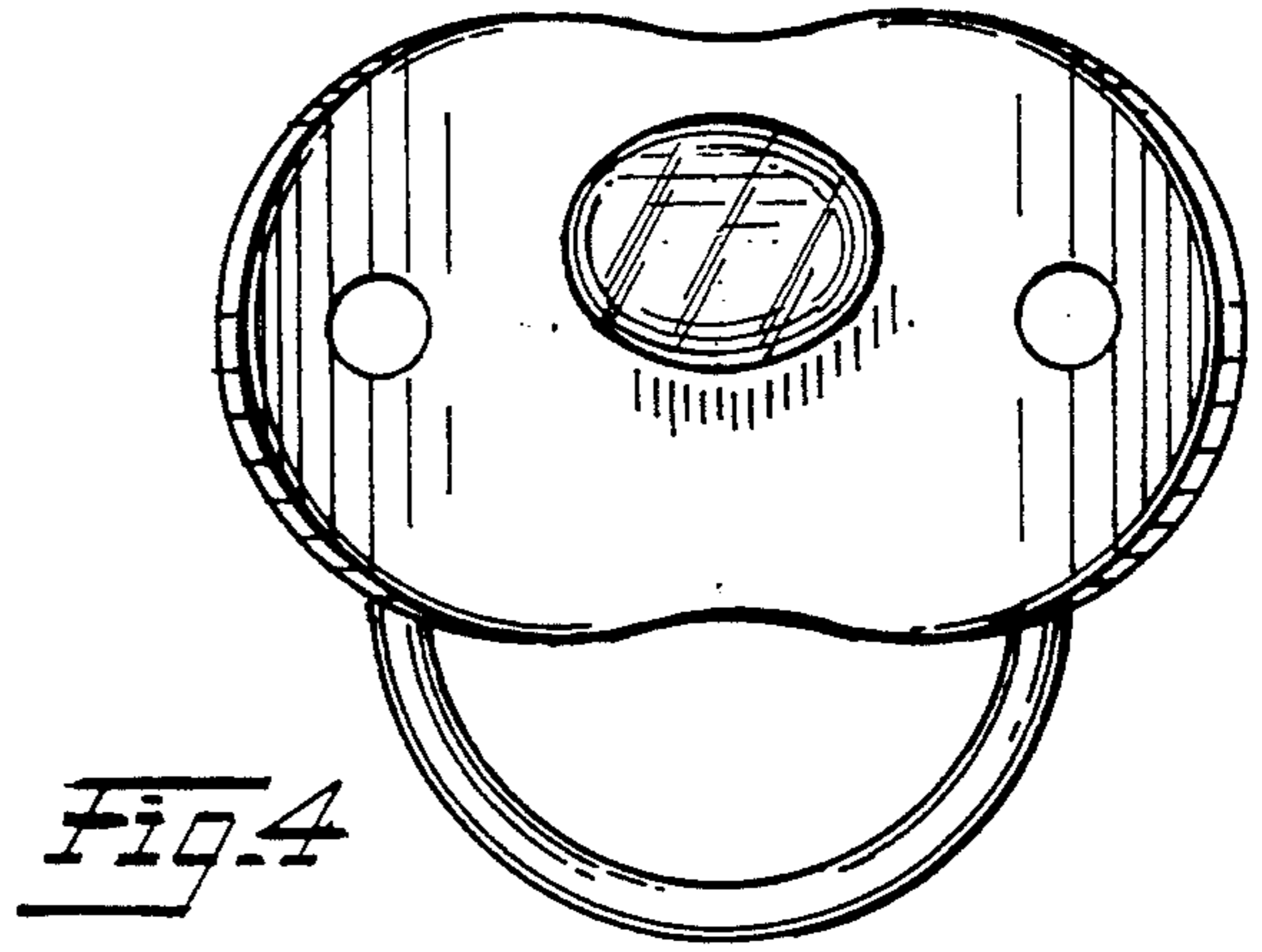
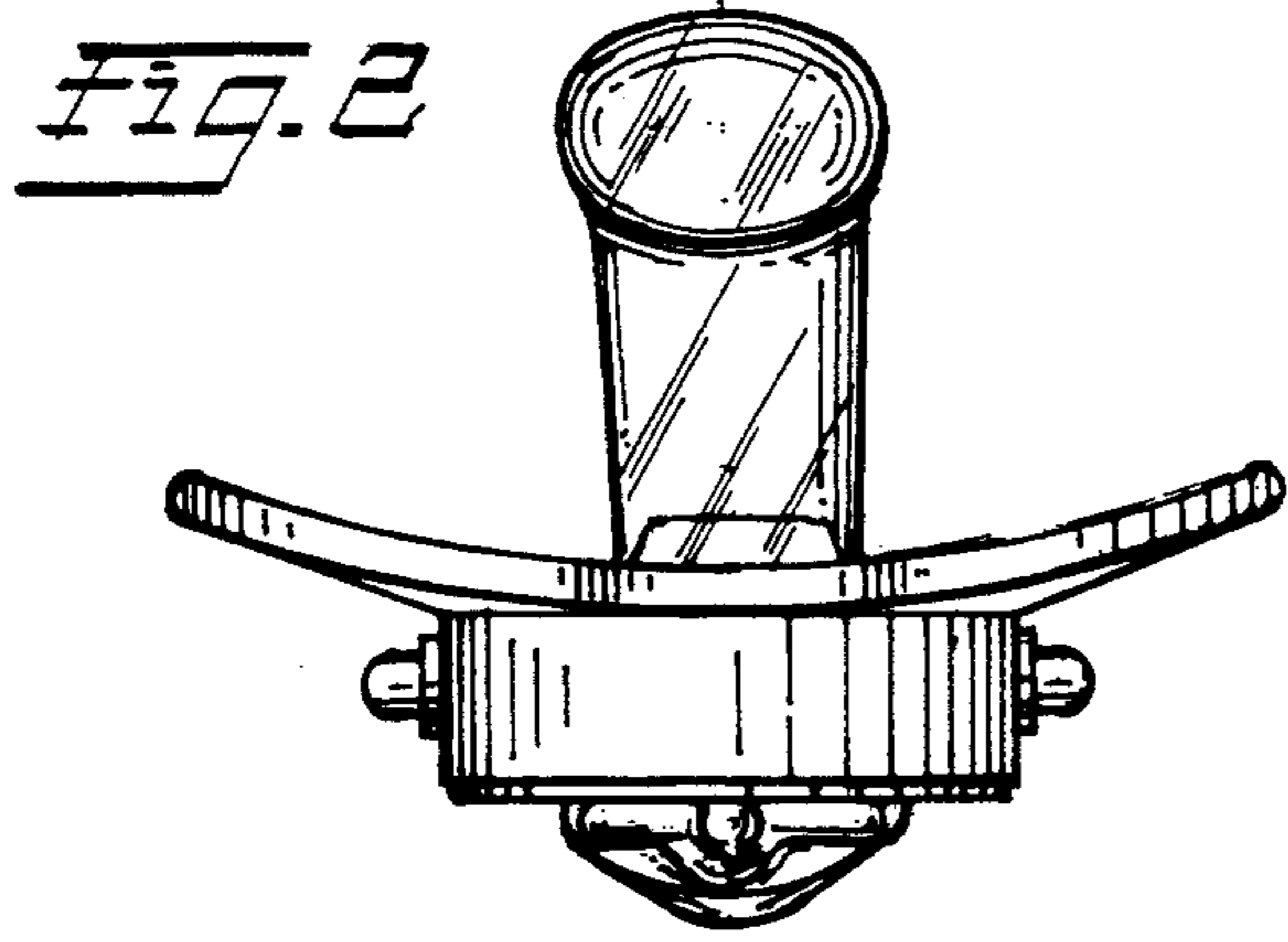


Fig. 1

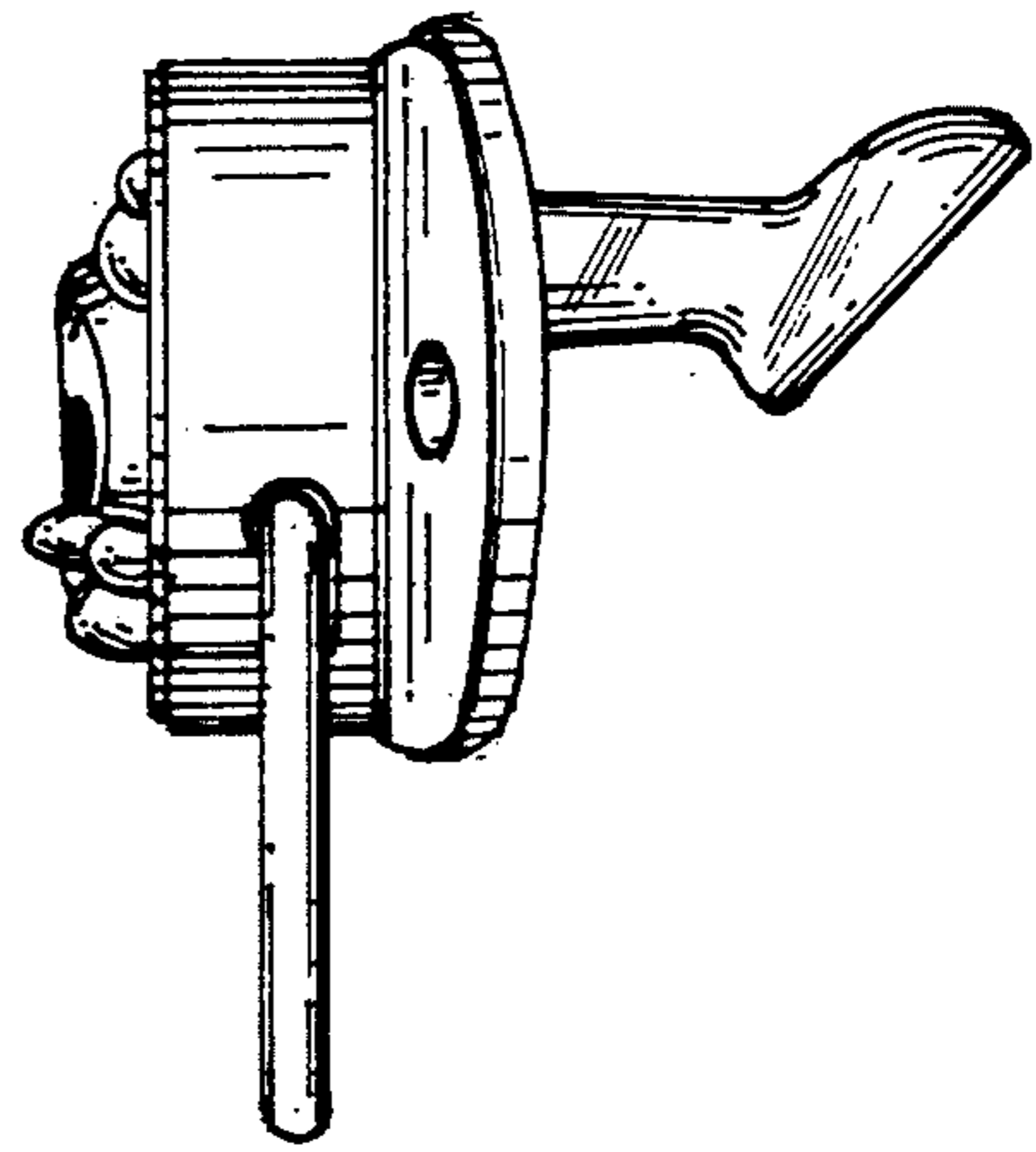


Fig. 5

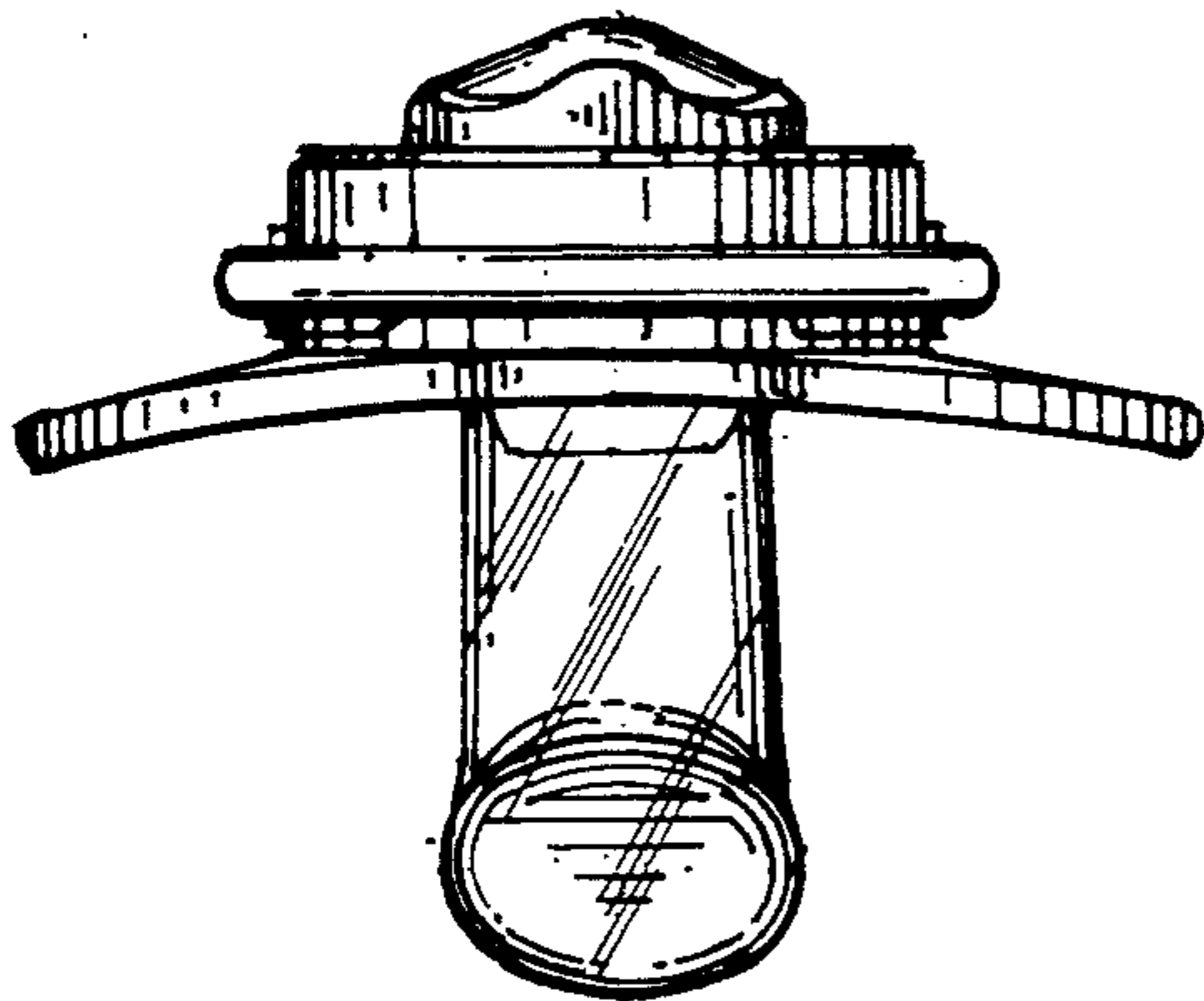


Fig. 3

UNITED STATES PATENT AND TRADEMARK OFFICE
CERTIFICATE OF CORRECTION

PATENT NO. : Des. 351,232
DATED : Oct. 4, 1994
INVENTOR(S) : Spence, Jr.

Page 1 of 3

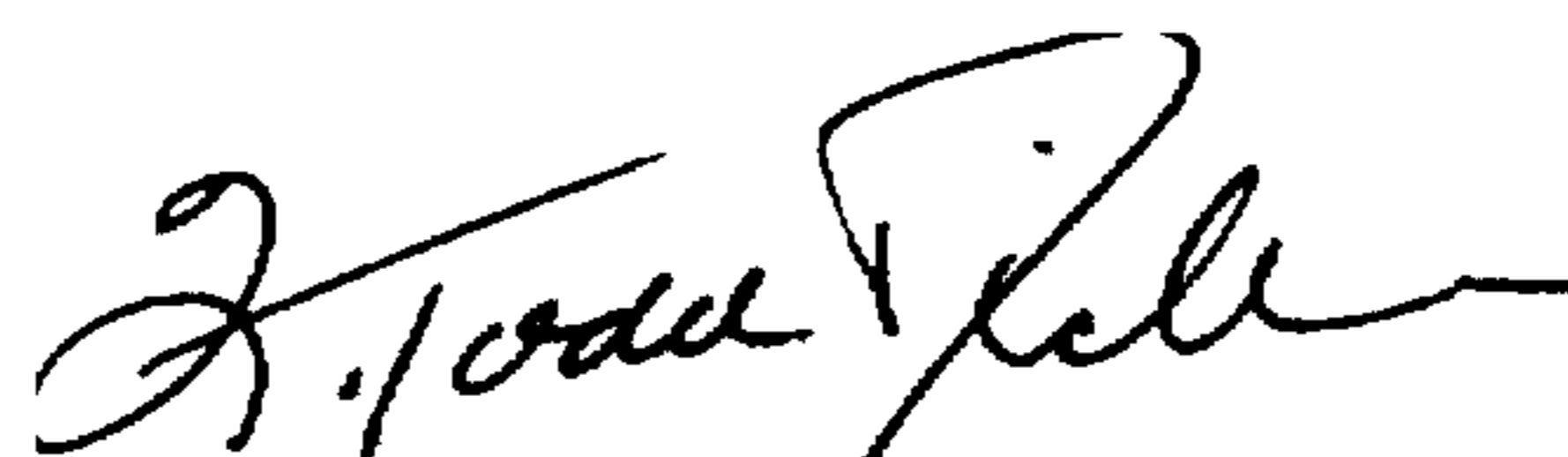
It is certified that error appears in the above-identified patent and that said Letters Patent is hereby corrected as shown below:

The title page should be deleted to appear as per attached title page.

Please delete drawing sheet 1-1 and substitute drawing sheet 1-1 as per attached.

Signed and Sealed this
Seventh Day of September, 1999

Attest:



Q. TODD DICKINSON

Attesting Officer

Acting Commissioner of Patents and Trademarks



US00D351232S

United States Patent [19]
Spence, Jr.

[11] **Patent Number: Des. 351,232**
[45] **Date of Patent: ** Oct. 4, 1994**

[54] **PACIFIER**
[75] **Inventor: Meredith Spence, Jr., Cuyahoga Falls, Ohio**
[73] **Assignee: Lisco, Inc., Tampa, Fla.**
[**] **Term: 14 Years**
[21] **Appl. No.: 12,210**
[22] **Filed: Aug. 27, 1993**
[52] **U.S. Cl. D24/195**
[58] **Field of Search 606/234, 235, 236; D24/195, 194, 196**

D. 299,064 12/1988 Berndt D24/195
D. 337,825 7/1993 Craner D24/195
5,156,617 10/1992 Reid 606/236 X

Primary Examiner—Stella Reid

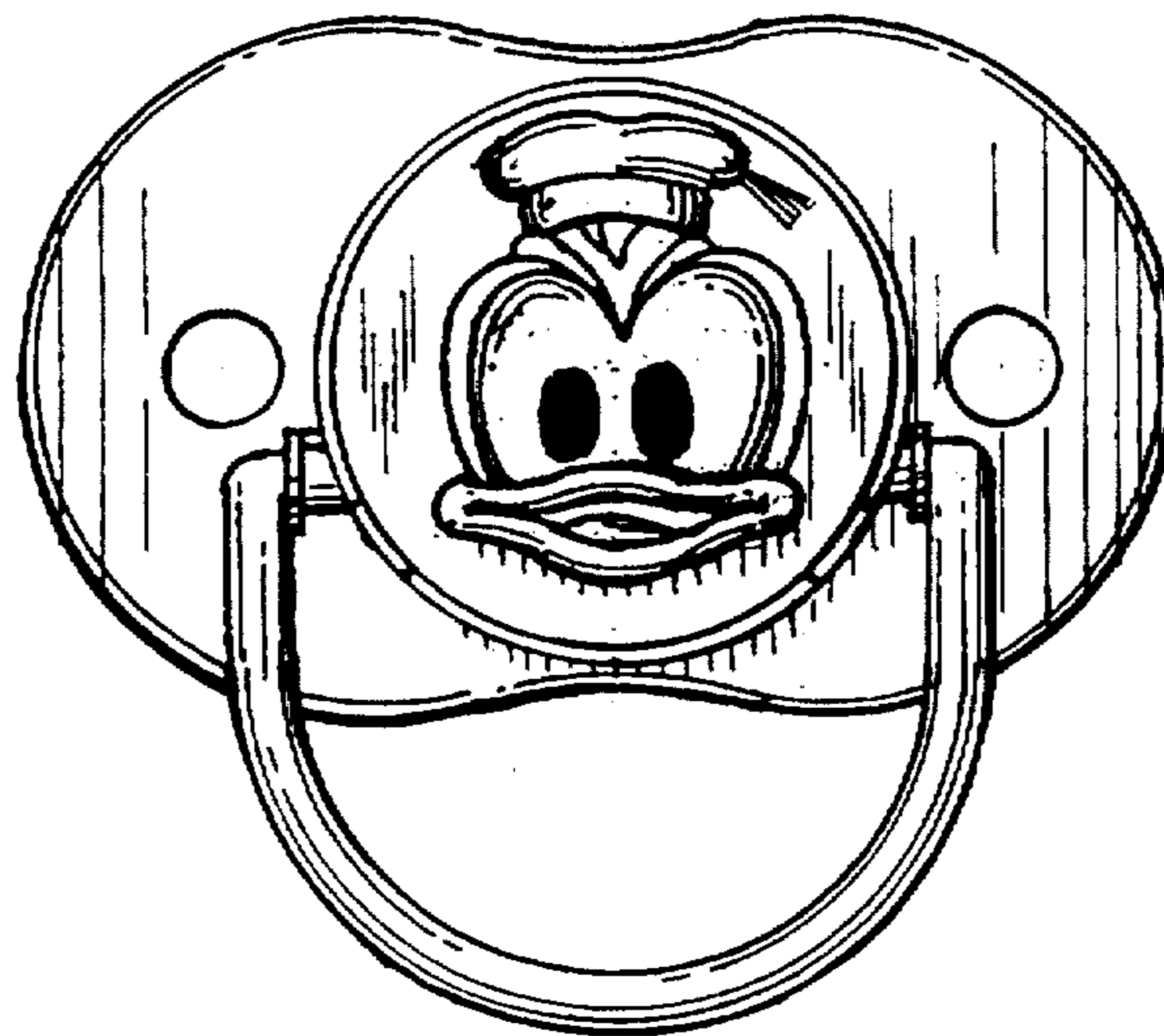
[57] **CLAIM**

The ornamental design for a pacifier, as shown and described.

DESCRIPTION

FIG. 1 is a front view of a pacifier showing the design of my invention;
FIG. 2 is a top view thereof;
FIG. 3 is a bottom view thereof;
FIG. 4 is a rear view thereof; and,
FIG. 5 is a right side view thereof.
The left side view is a mirror image of the right side view.

[56] **References Cited**
U.S. PATENT DOCUMENTS
D. 296,471 6/1988 Marriott D24/195



U.S. Patent

Oct. 4, 1994

Des. 351,232

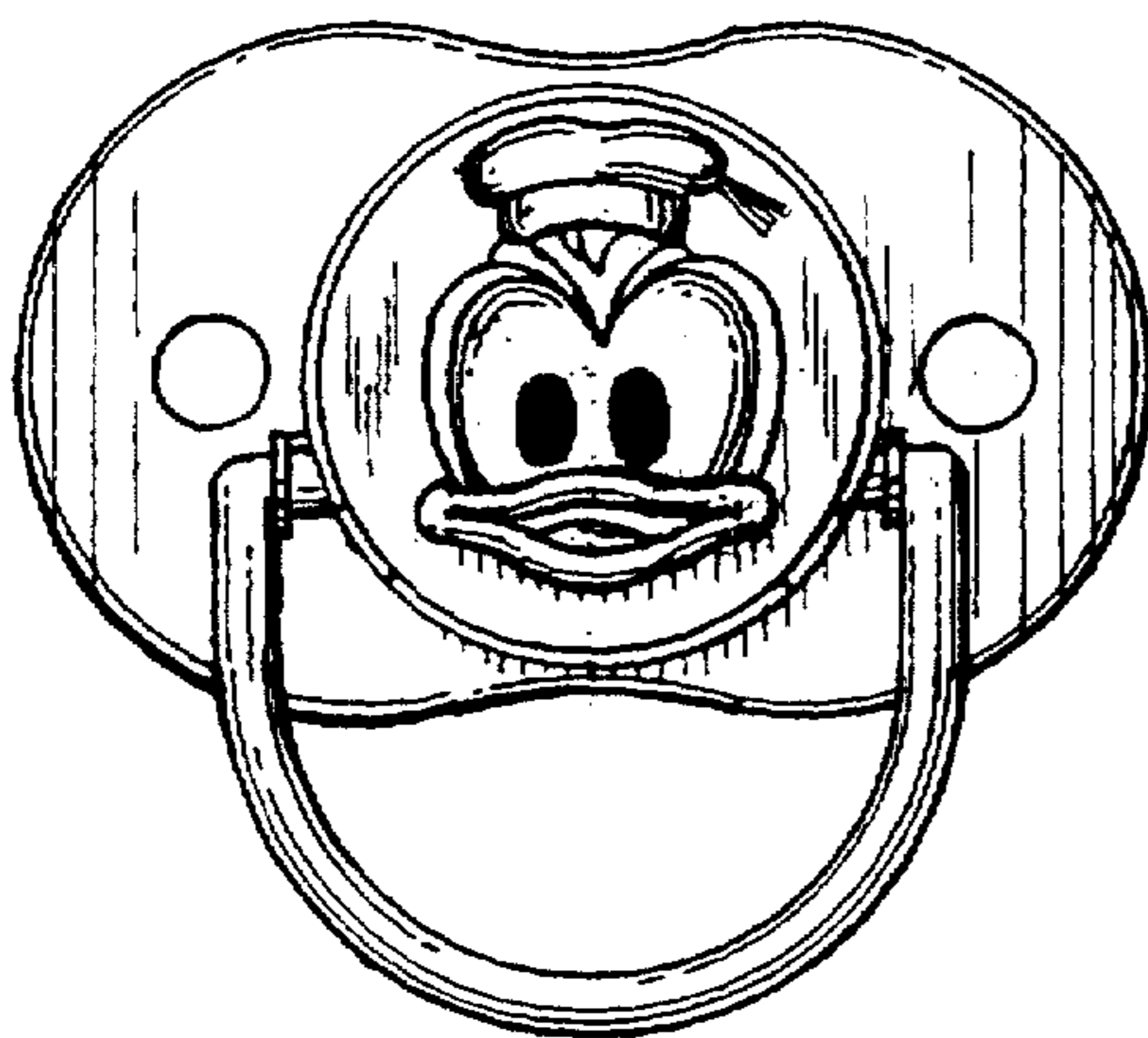
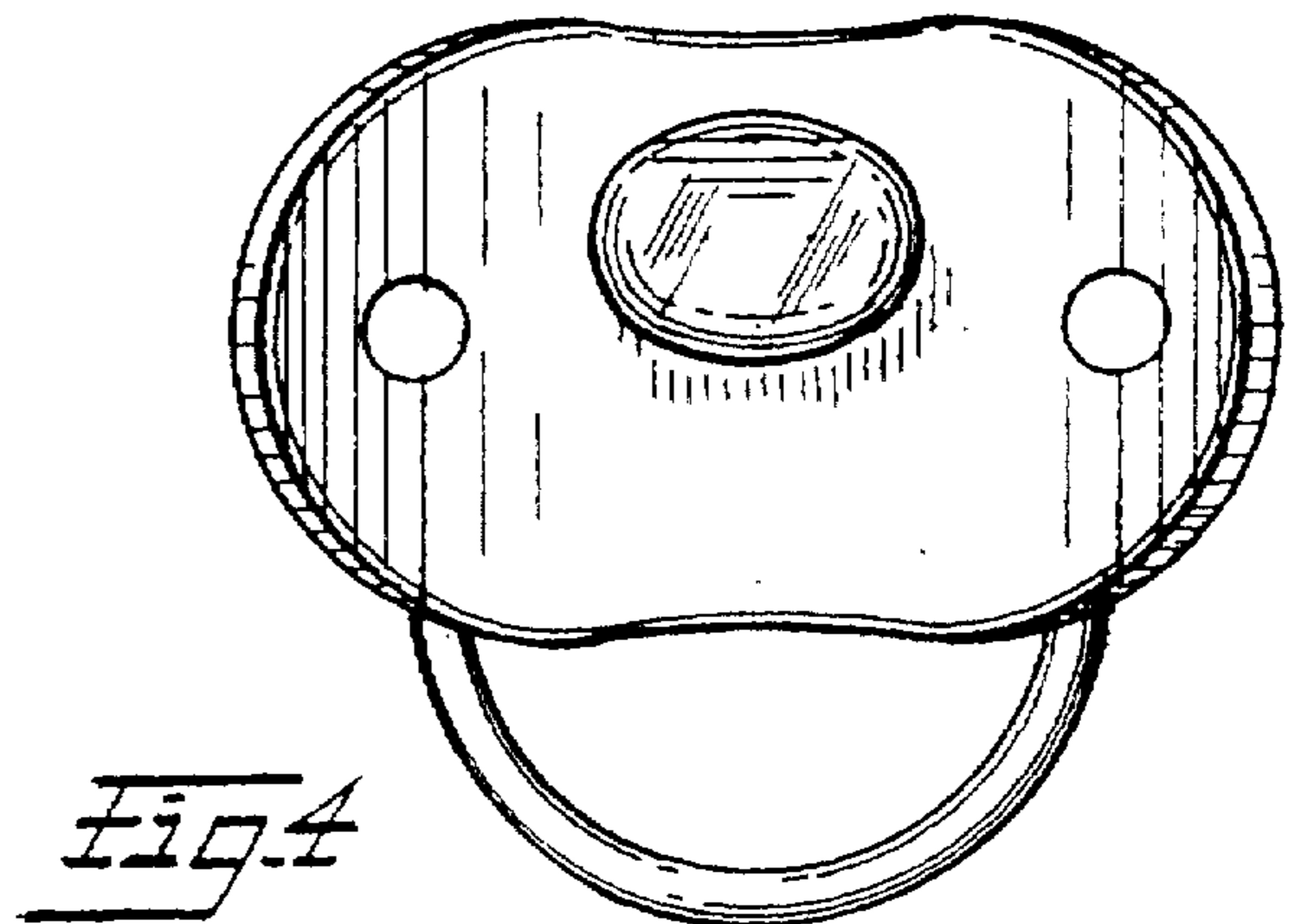
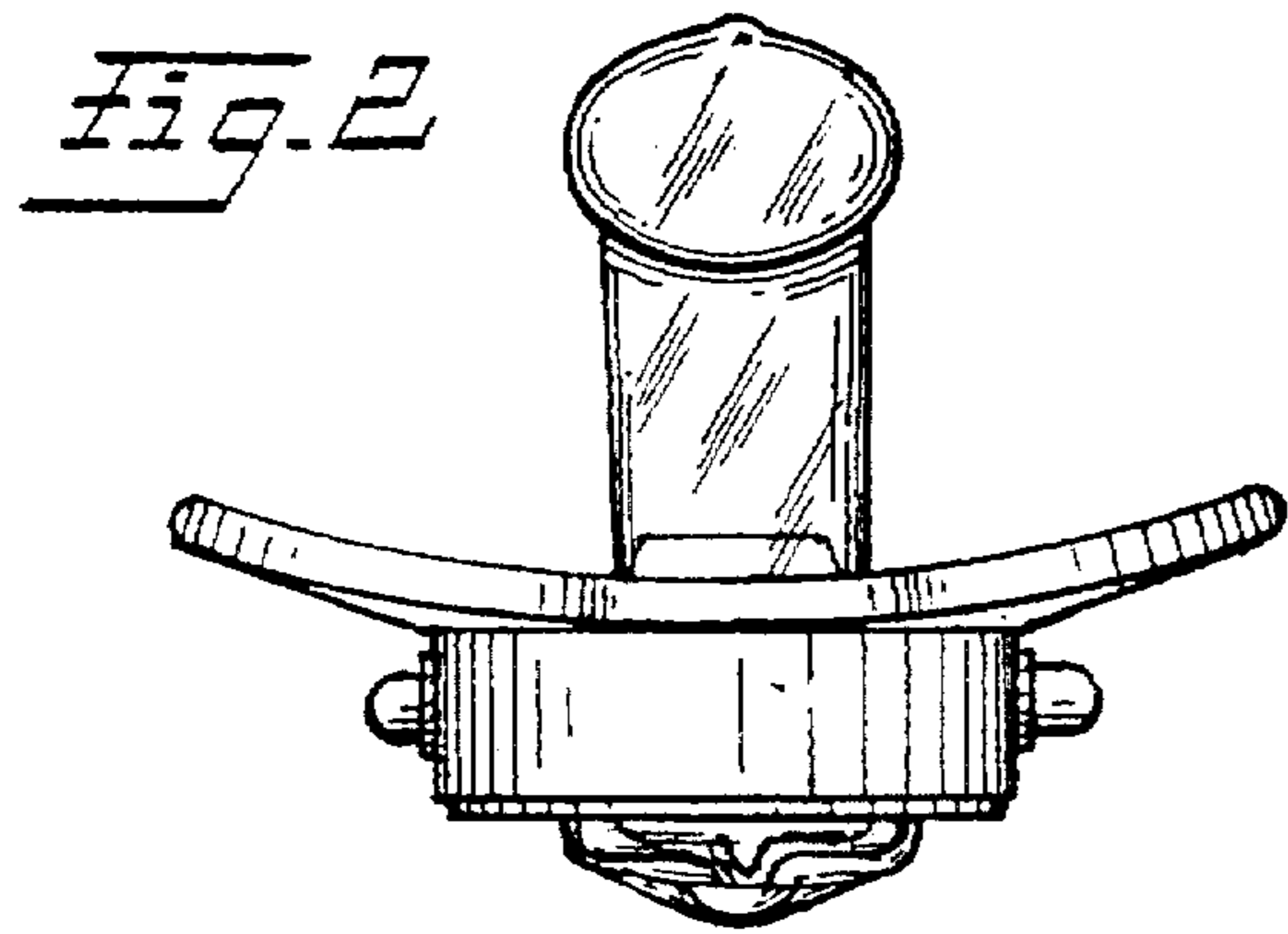


Fig. 1

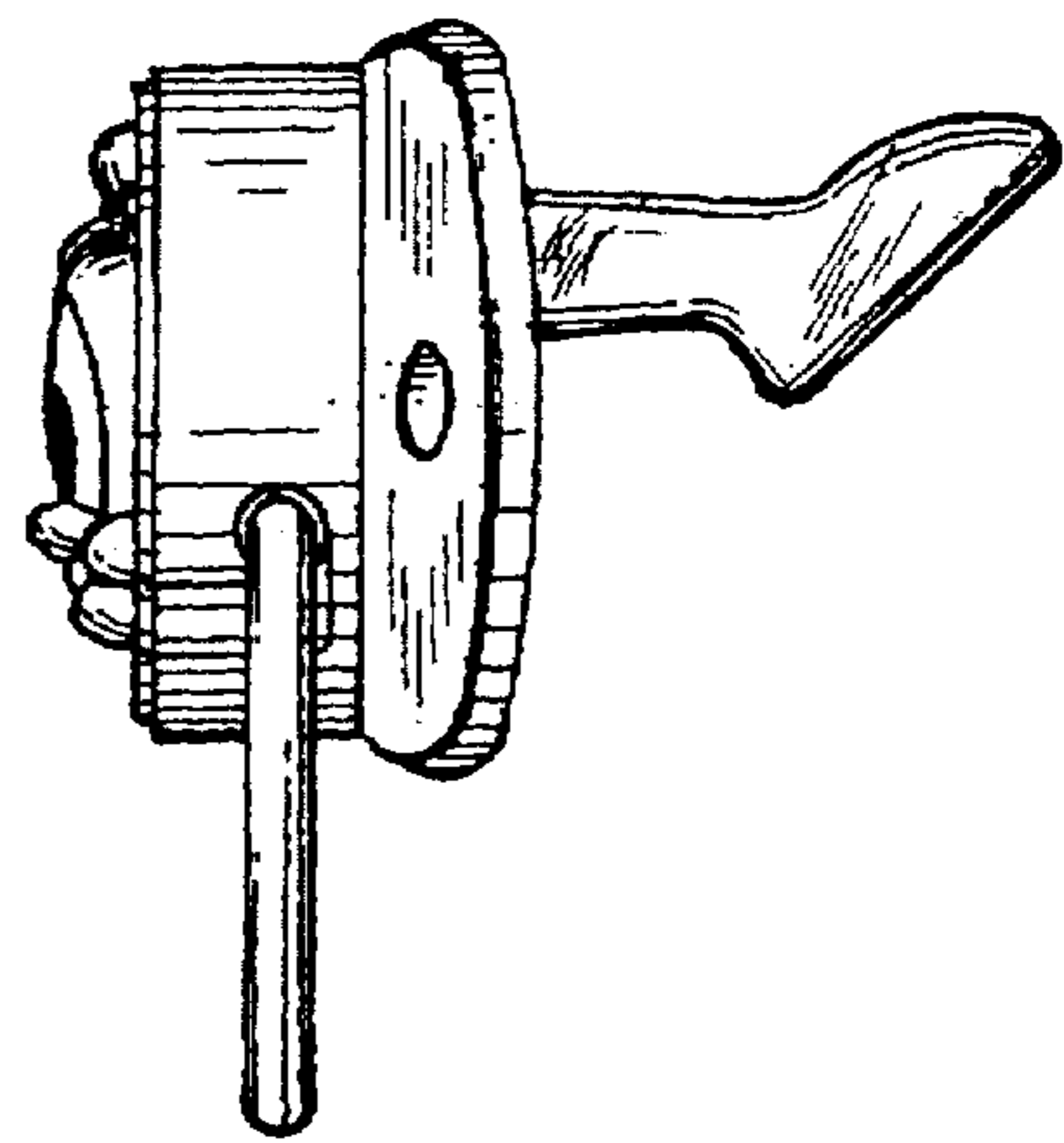


Fig. 5

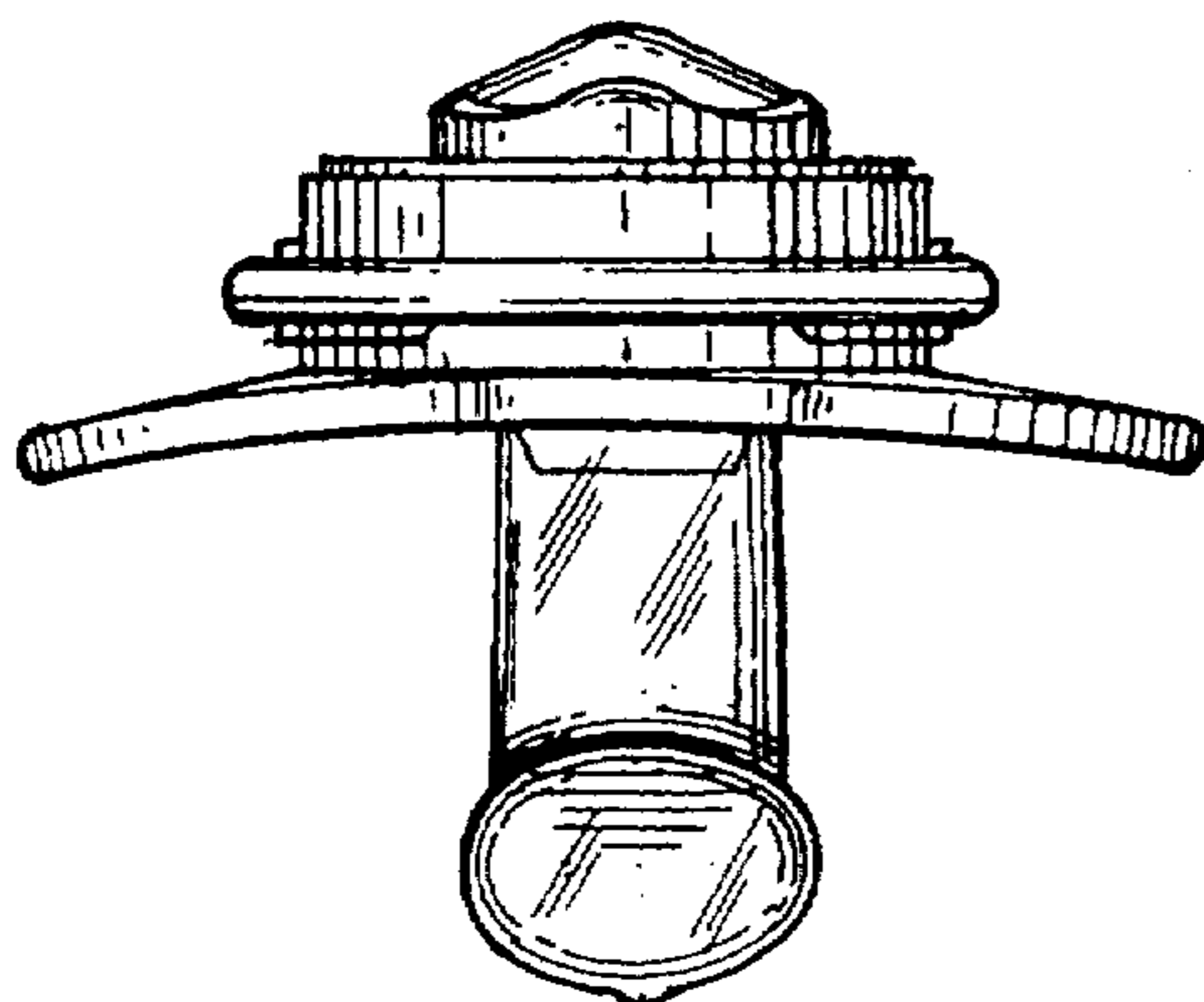


Fig. 3