



US00D351231S

United States Patent [19]

[11] Patent Number: **Des. 351,231**

Austin, Jr. et al.

[45] Date of Patent: **** Oct. 4, 1994**

- [54] **CONTROL UNIT FOR DENTAL INSTRUMENTS**
- [75] Inventors: **George K. Austin, Jr., Newberg; Carl G. Nordstrom, Lake Oswego; Bruno Zadnik, Aloha; David L. Curtis, Tigard, all of Oreg.**
- [73] Assignee: **A-Dec, Inc., Newberg, Oreg.**
- [**] Term: **14 Years**
- [21] Appl. No.: **5,493**
- [22] Filed: **Feb. 2, 1993**
- [52] U.S. Cl. **D24/177**
- [58] Field of Search **433/52-54, 433/27-28, 25, 103-105, 49, 72, 125, 77, 79; D24/176-179**

[56] **References Cited**

U.S. PATENT DOCUMENTS

D. 217,249	4/1970	Krantz	D24/177
D. 218,165	7/1970	Schleicher et al.	D24/177
D. 231,676	5/1974	House, II	D24/177
D. 288,122	2/1987	McGaha et al.	D24/177
D. 293,371	12/1987	Nordstrom et al.	.	
D. 328,791	8/1992	Nordstrom et al.	.	
3,229,368	1/1966	Tocchini	.	
3,455,620	7/1969	Coburn	.	
3,650,033	3/1972	Behne et al.	.	
3,718,974	3/1973	Buchtel et al.	.	
3,762,051	10/1973	Valeska	.	
3,771,226	11/1973	Lieb et al.	.	
3,918,161	11/1975	Morgan et al.	.	
4,206,546	6/1980	Runnells et al.	433/79
4,676,750	6/1987	Mason	.	
4,706,847	11/1987	Sankey et al.	.	
4,770,632	9/1988	Ryder et al.	433/28
4,878,709	11/1989	Okamoto	.	
4,883,316	11/1989	Austin, Jr. et al.	.	
5,107,899	4/1992	Murphy	433/28 X
5,161,970	11/1992	Baskas	433/79 X

OTHER PUBLICATIONS

Takara Belmont 50-page Japanese language dental equipment catalog, cover and pp. 23-24, circa Jan. 1991.

(List continued on next page.)

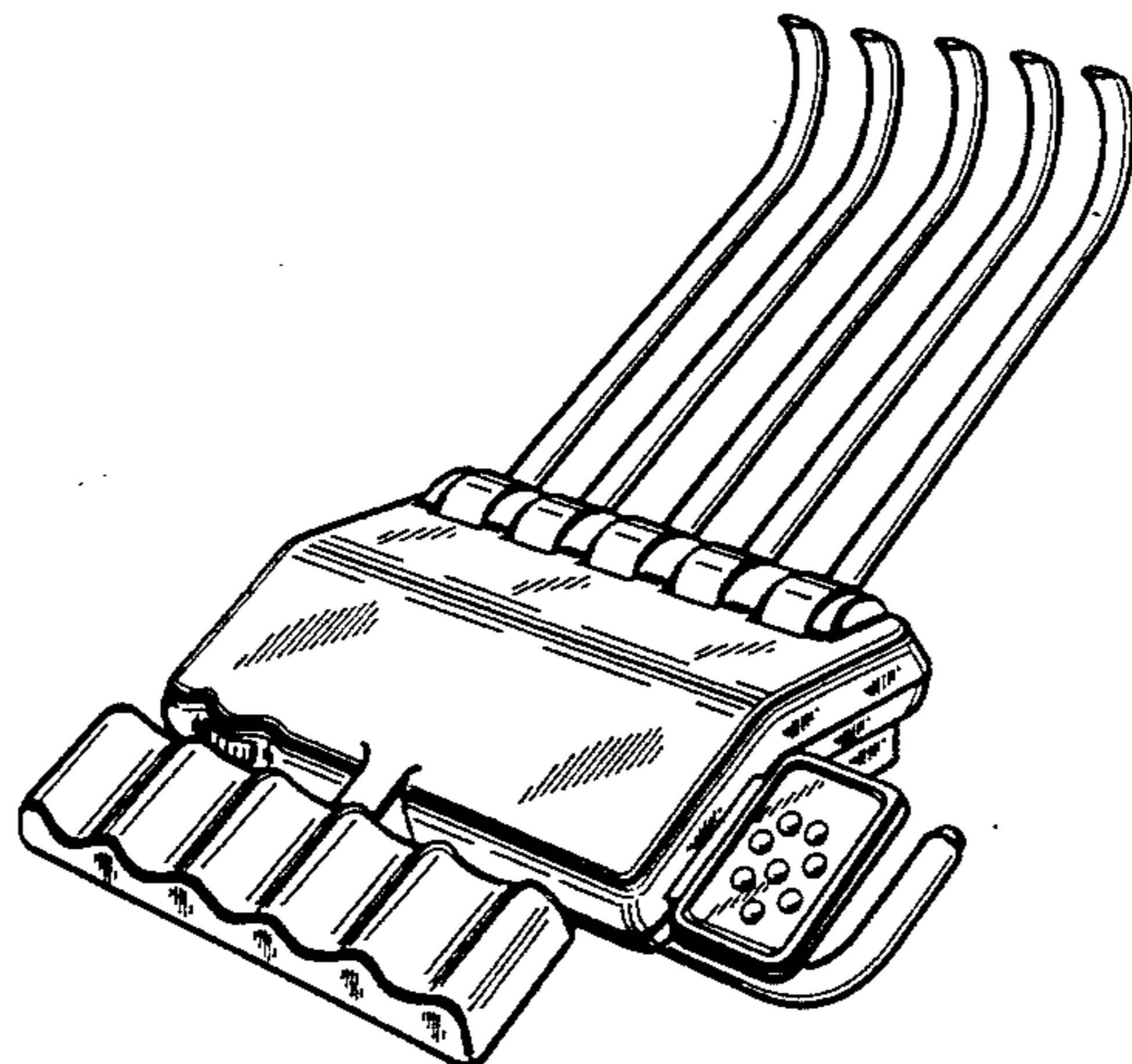
Primary Examiner—Wallace R. Burke
Assistant Examiner—M. H. Tung
Attorney, Agent, or Firm—Klarquist Sparkman
Campbell Leigh & Whinston

[57] **CLAIM**

The ornamental design for a control unit for dental instruments, as shown and described.

DESCRIPTION

FIG. 1 is a perspective view of a control unit for dental instruments showing our new design;
 FIG. 2 is a left-side elevation view of the control unit for dental instruments of FIG. 1;
 FIG. 3 is a right-side elevation view of the control unit for dental instruments of FIG. 1;
 FIG. 4 is a top plan view of the control unit for dental instruments of FIG. 1;
 FIG. 5 is a bottom plan view of the control unit for dental instruments of FIG. 1;
 FIG. 6 is a front elevation view of the control unit for dental instruments of FIG. 1;
 FIG. 7 is a rear elevation view of the control unit for dental instruments of FIG. 1;
 FIG. 8 is a perspective view of an alternative embodiment of a control unit for dental instruments;
 FIG. 9 is a left-side elevation view of the control unit for dental instruments of FIG. 8;
 FIG. 10 is a right-side elevation view of the control unit for dental instruments of FIG. 8;
 FIG. 11 is a top plan view of the control unit for dental instruments of FIG. 8;
 FIG. 12 is a bottom plan view of the control unit for dental instruments of FIG. 8;
 FIG. 13 is a front elevation view of the control unit for dental instruments of FIG. 8; and,
 FIG. 14 is a rear elevation view of the control unit for dental instruments of FIG. 8.
 The broken line drawing of a support for the control unit in FIGS. 2, 3, 9 and 10 is for illustrative purposes only and forms no part of the claimed design.



OTHER PUBLICATIONS

- Anthos "Teseo", six-page brochure circa Jan. 1992.
- A-Dec 117-page equipment catalog, cover and p. 32, Jan. 1991.
- Signo "Grand", 19-page Japanese language brochure, cover, p. 6, circa Jan. 1991.
- KaVo "Estetica ® 1042 Die Faszination des Fortschritts", German language 13-page brochure, p. 7, circa Jan. 1991.
- KaVo "Estetica ® 1042 Ein Wichtiger Schritt in die Zukunft", German language 13-page brochure, pp. 2-3, circa Jan. 1991.
- A-Dec 121-page catalog, cover and pp. 34, 36, 38 and 40, circa Sep. 1991.
- A-Dec "J-Dec" two-page Japanese language brochure circa Jan. 1991.
- Pelton and Crane one-page brochure circa Jan. 1991.
- ETI four-page brochure circa Jan. 1991.
- Planmeca Oy one-page "PM 2002 EC" brochure, circa Jan. 1991.
- A-Dec "Continental System" two-page brochure circa Jan. 1991.
- Osada "FX Series" 31-page Japanese language brochure, cover and pp. 15-17, circa Jan. 1991.
- A-Dec two-page compilation of holder devices: 1969, 1974, 1976, 1980, 1987, 1991, circa Jan. 1991.
- Takara Belmont 36-page Japanese language brochure, cover and pp. 16-18, circa Jan. 1991.
- Den-Tai-E2 "E2000" two-page brochure circa Jan. 1991.
- Siemens 27-page catalog, cover and pp 6-7, Feb. 1991.
- KaVo "Systematica ® 1060" four-page French language brochure, circa Jan. 1991.
- J. Morita Corporation "Surpass" 21-page Japanese language brochure, cover and pp. 9, 11-12, and 16, circa Jan. 1991.
- Belmont "SP-Six" ten-page brochure, p. 6, Aug. 1985.
- Elan 2000 III 20-page Japanese language catalog, cover and pp. 5-6, circa Jan. 1991.

FIG. 1

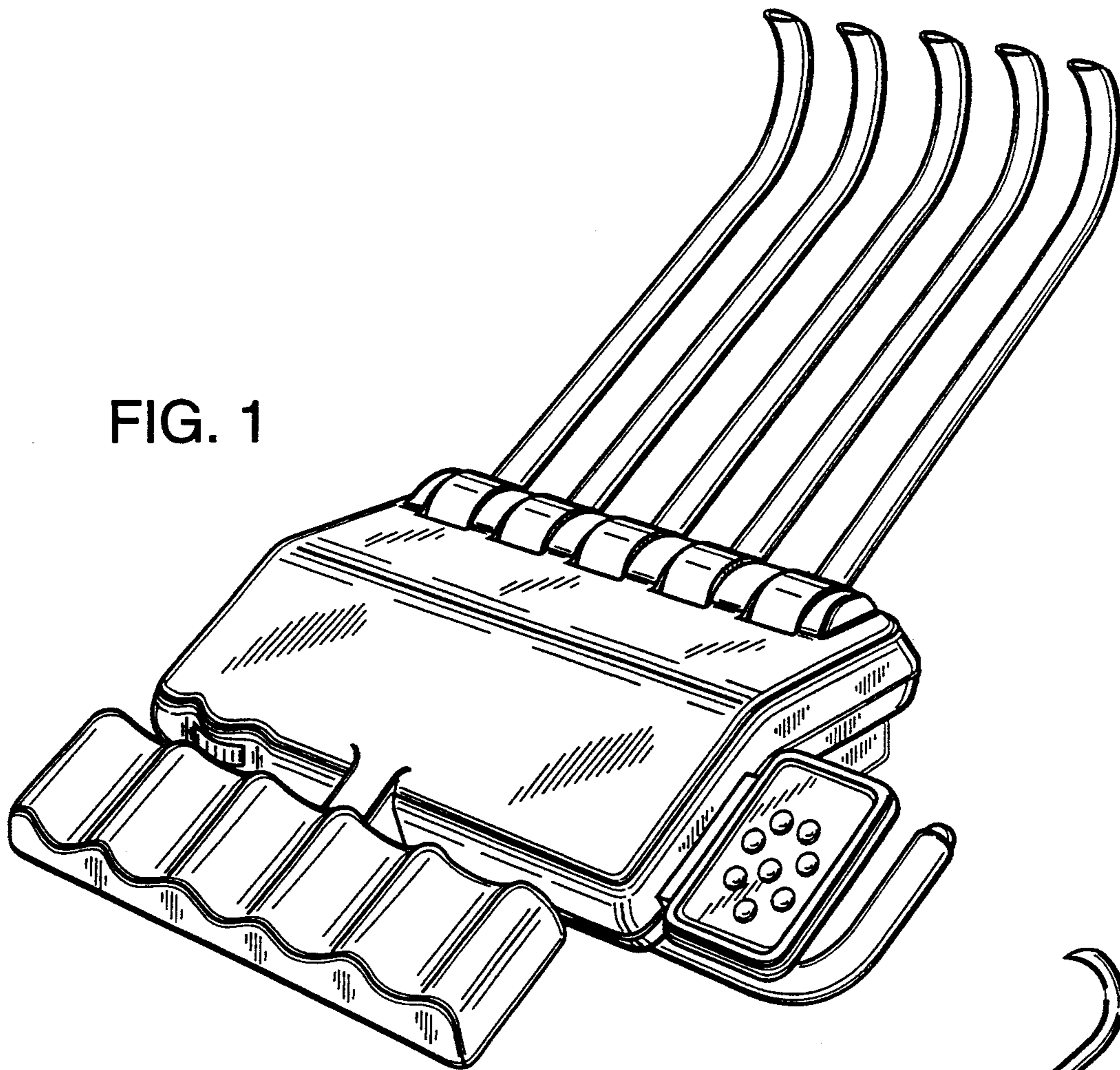


FIG. 2

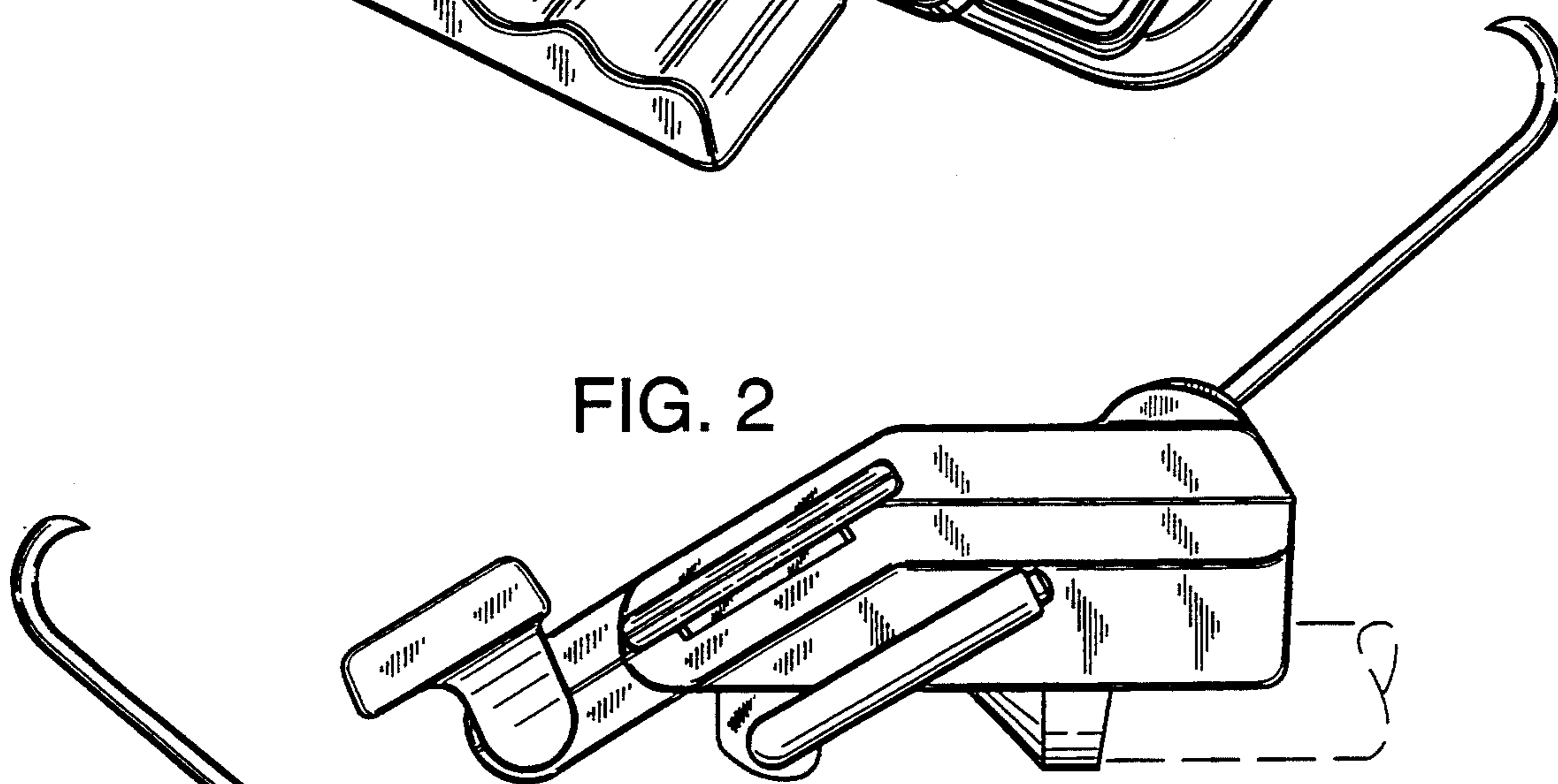


FIG. 3

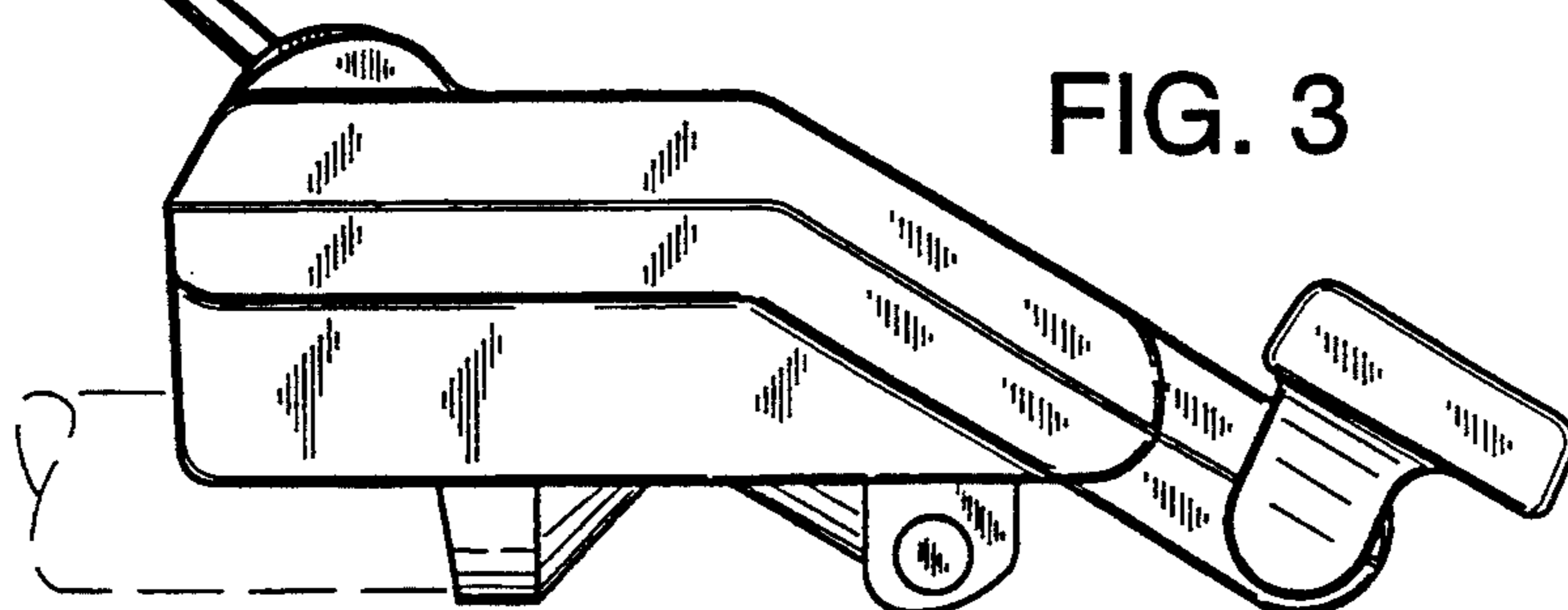


FIG. 4

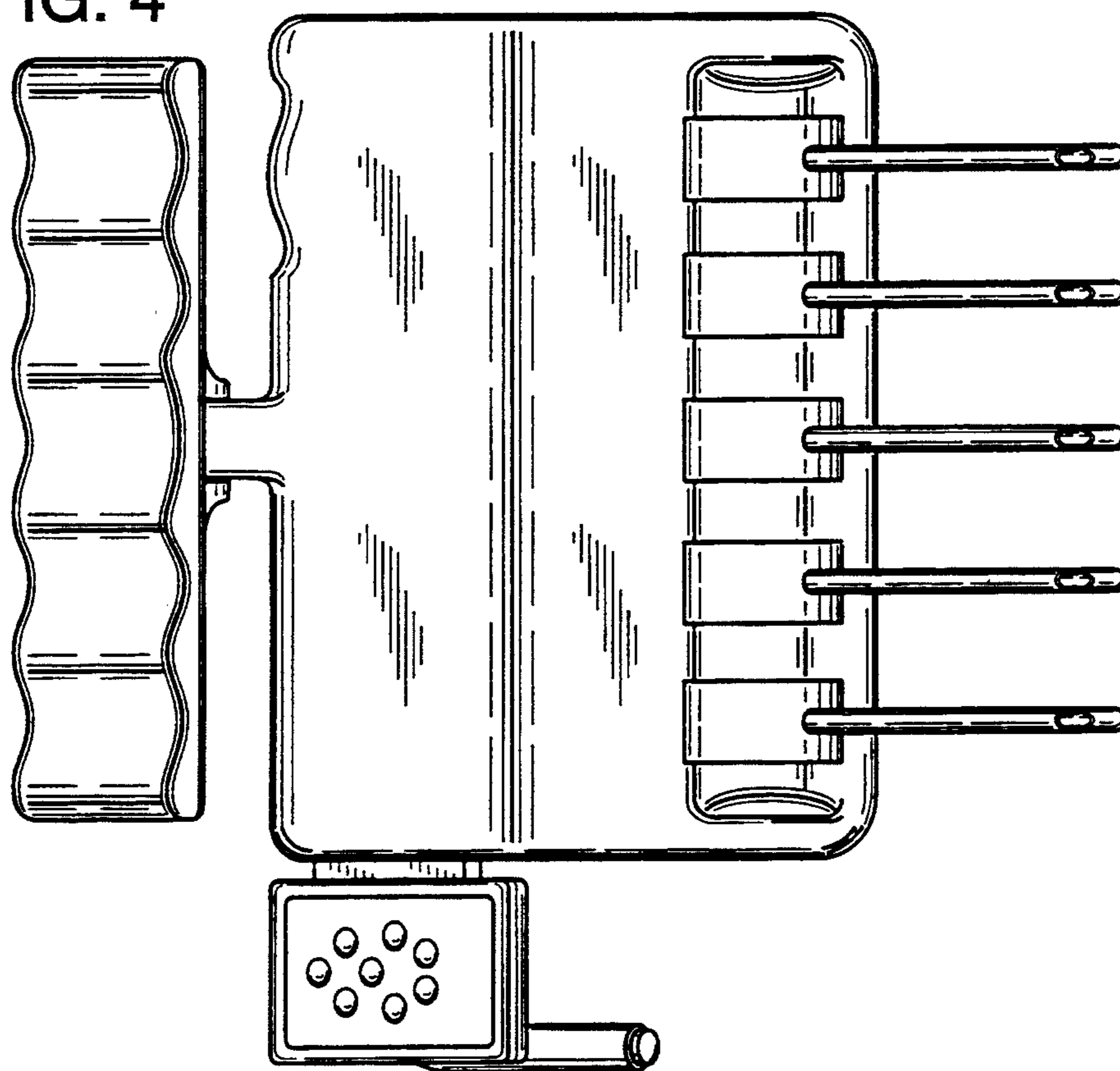


FIG. 5

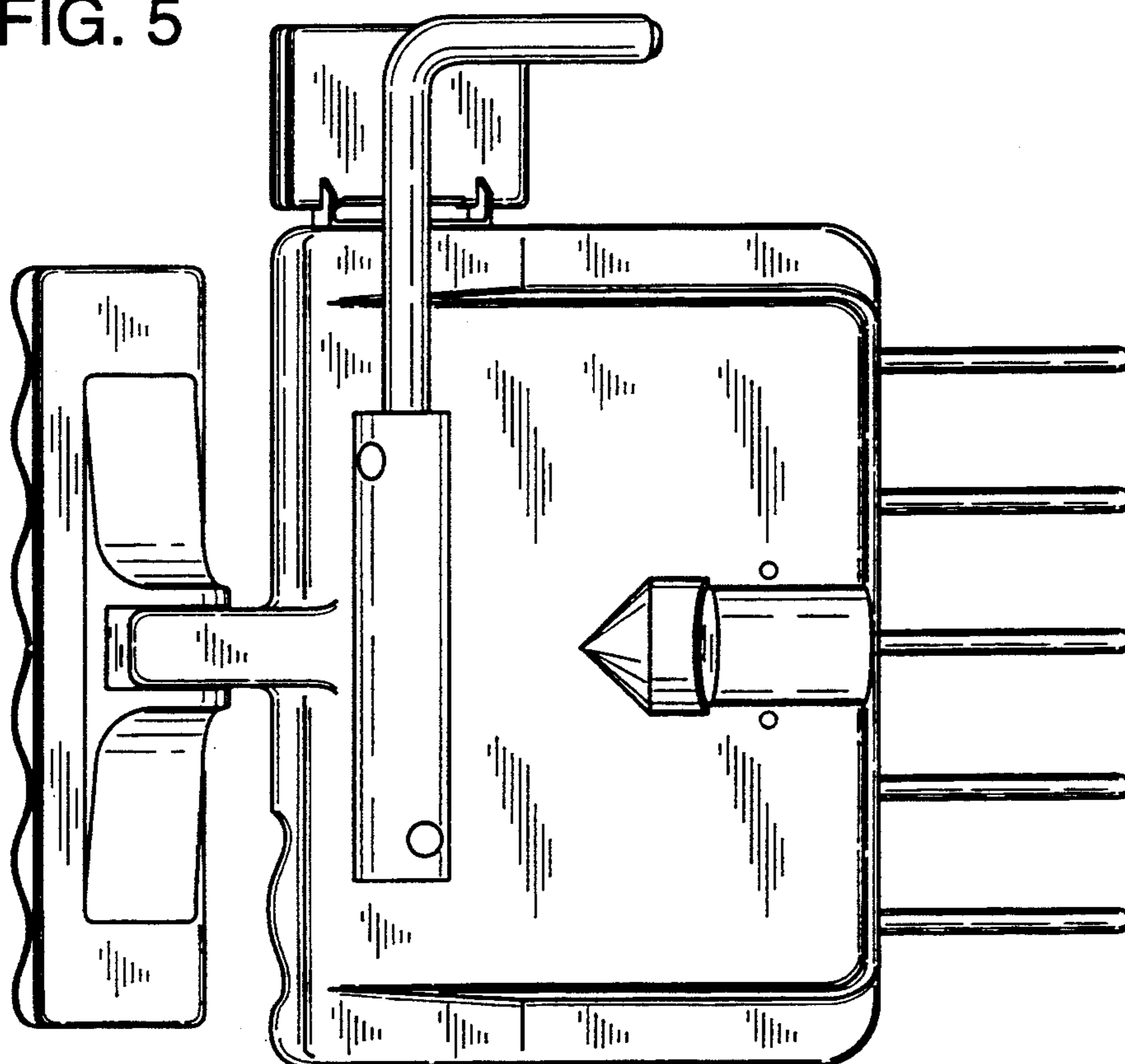


FIG. 6

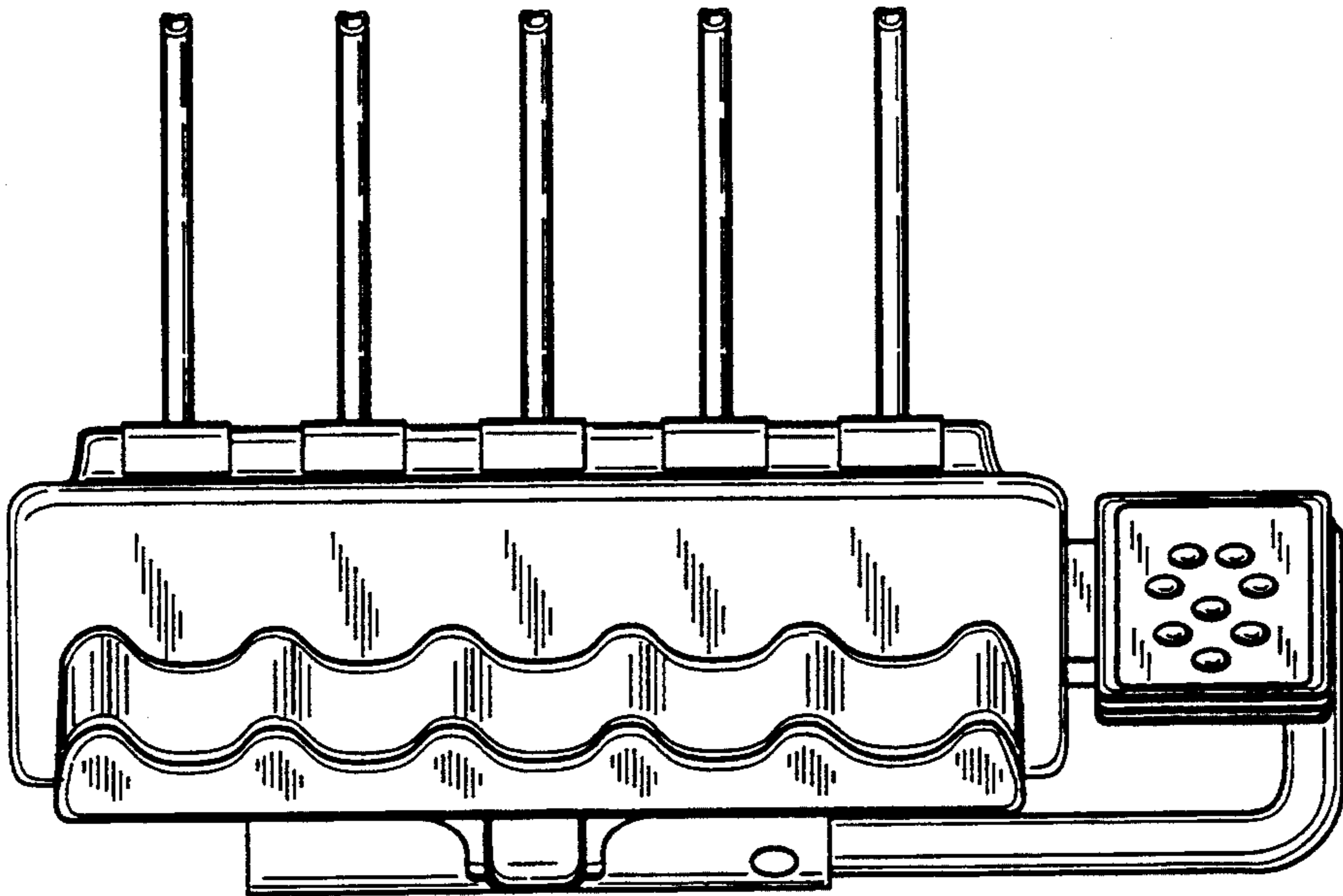


FIG. 7

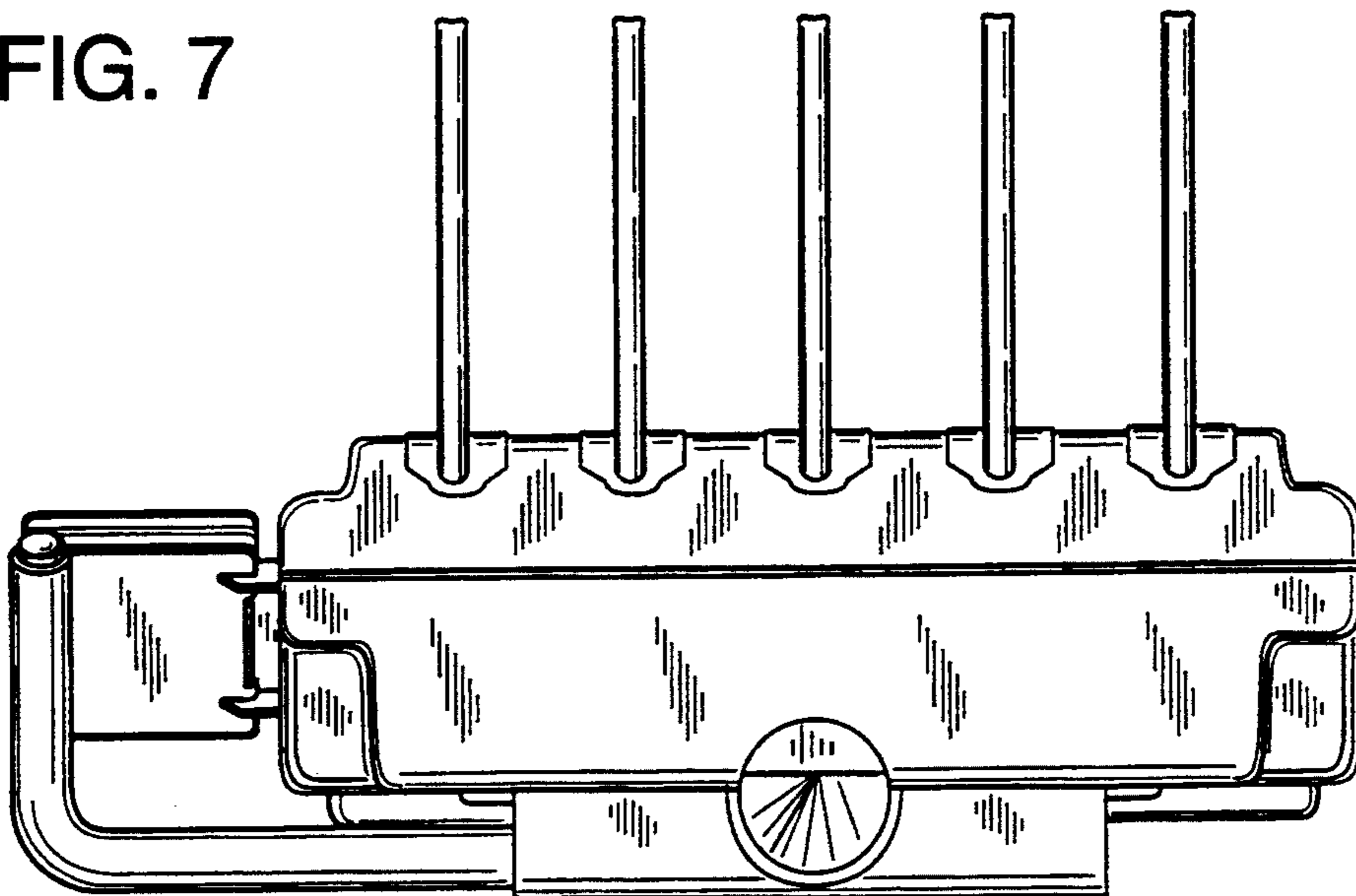


FIG. 8

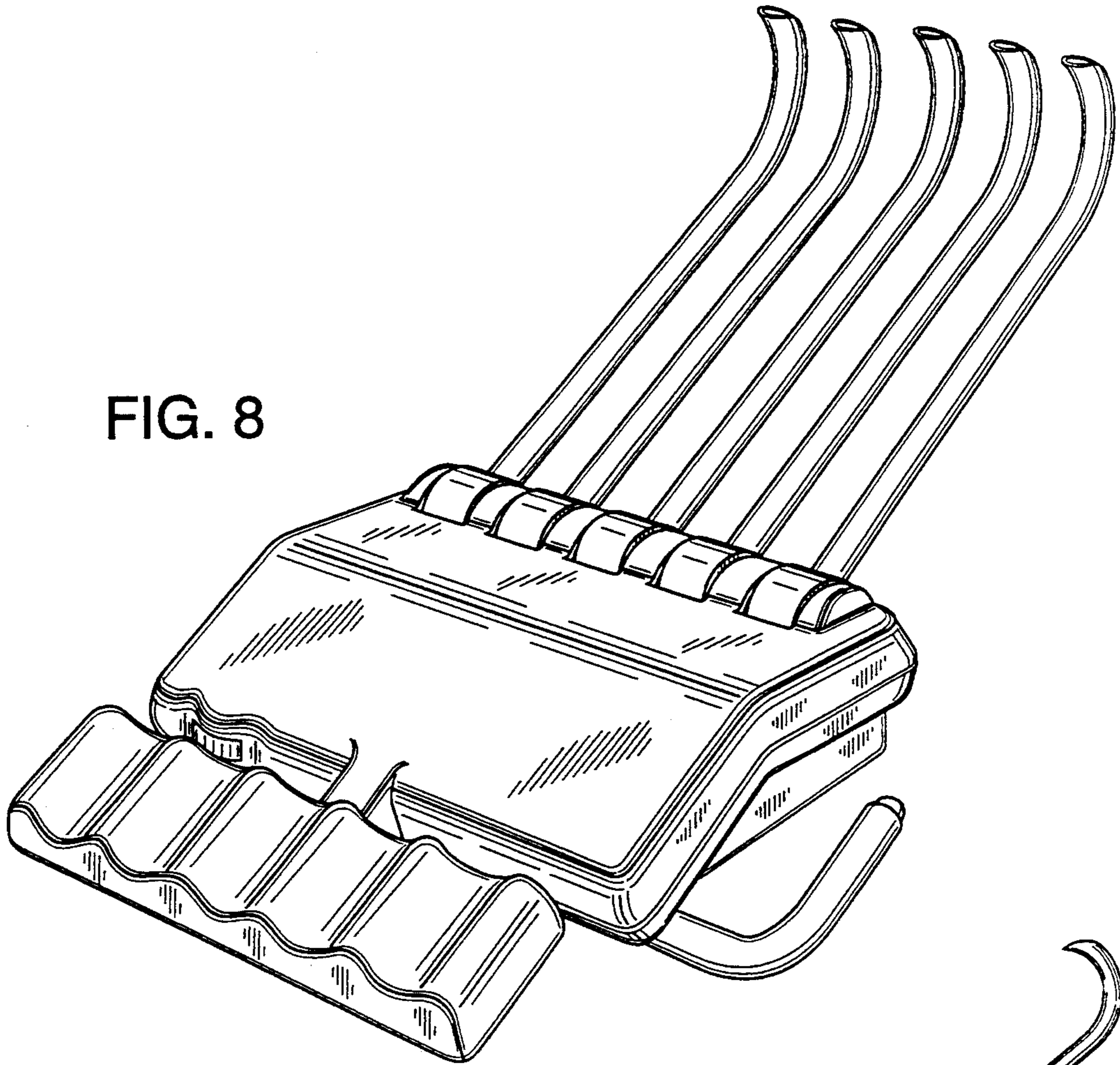


FIG. 9

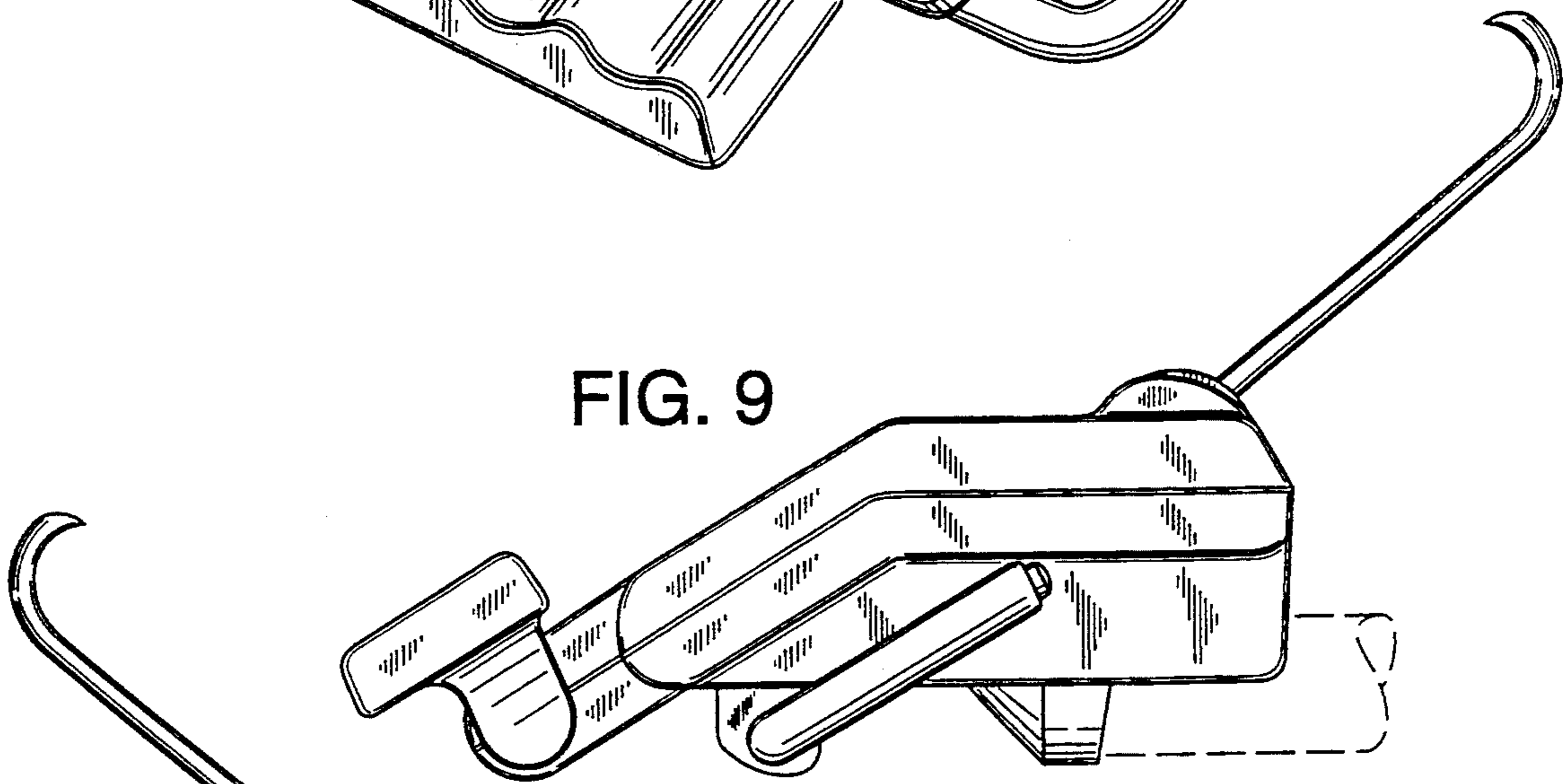


FIG. 10

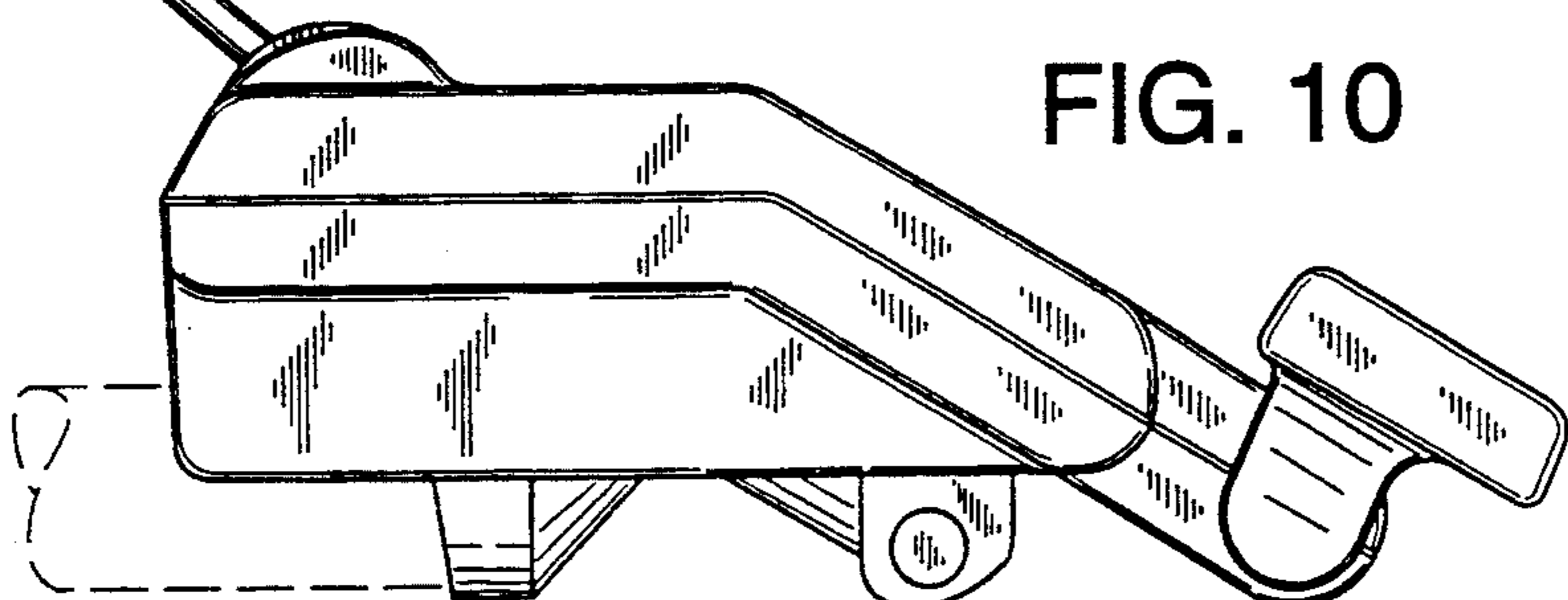


FIG. 11

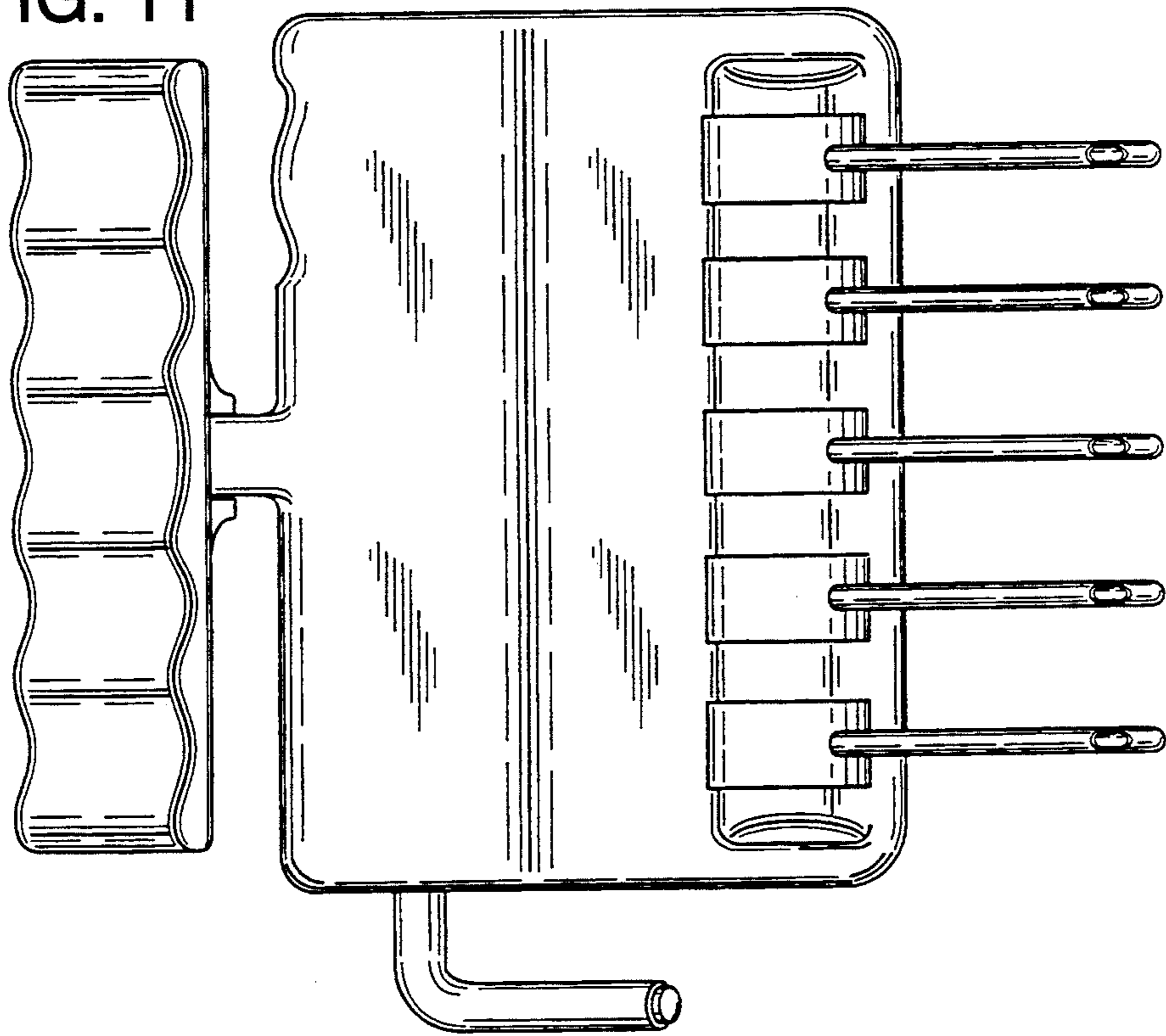


FIG. 12

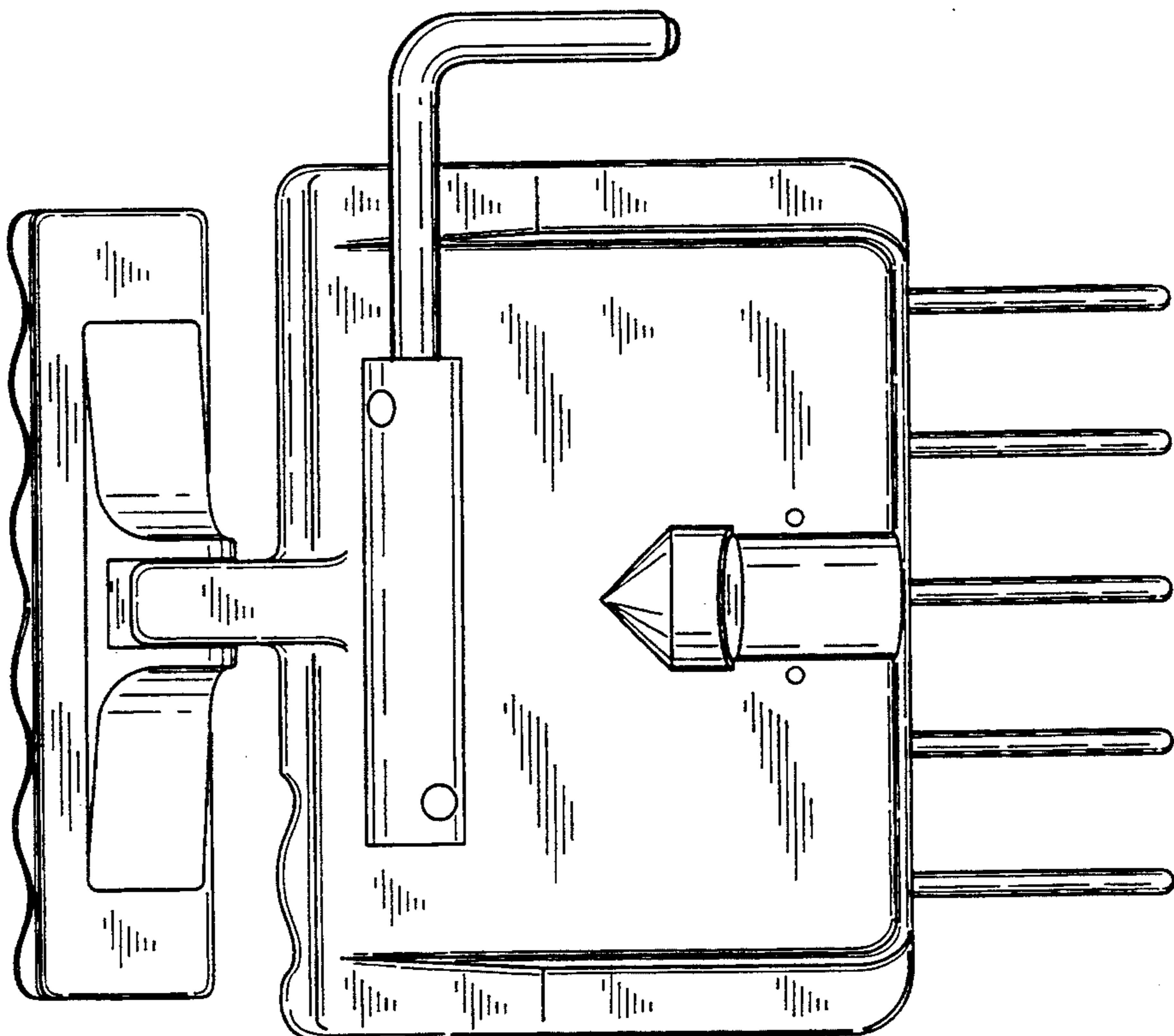


FIG. 13

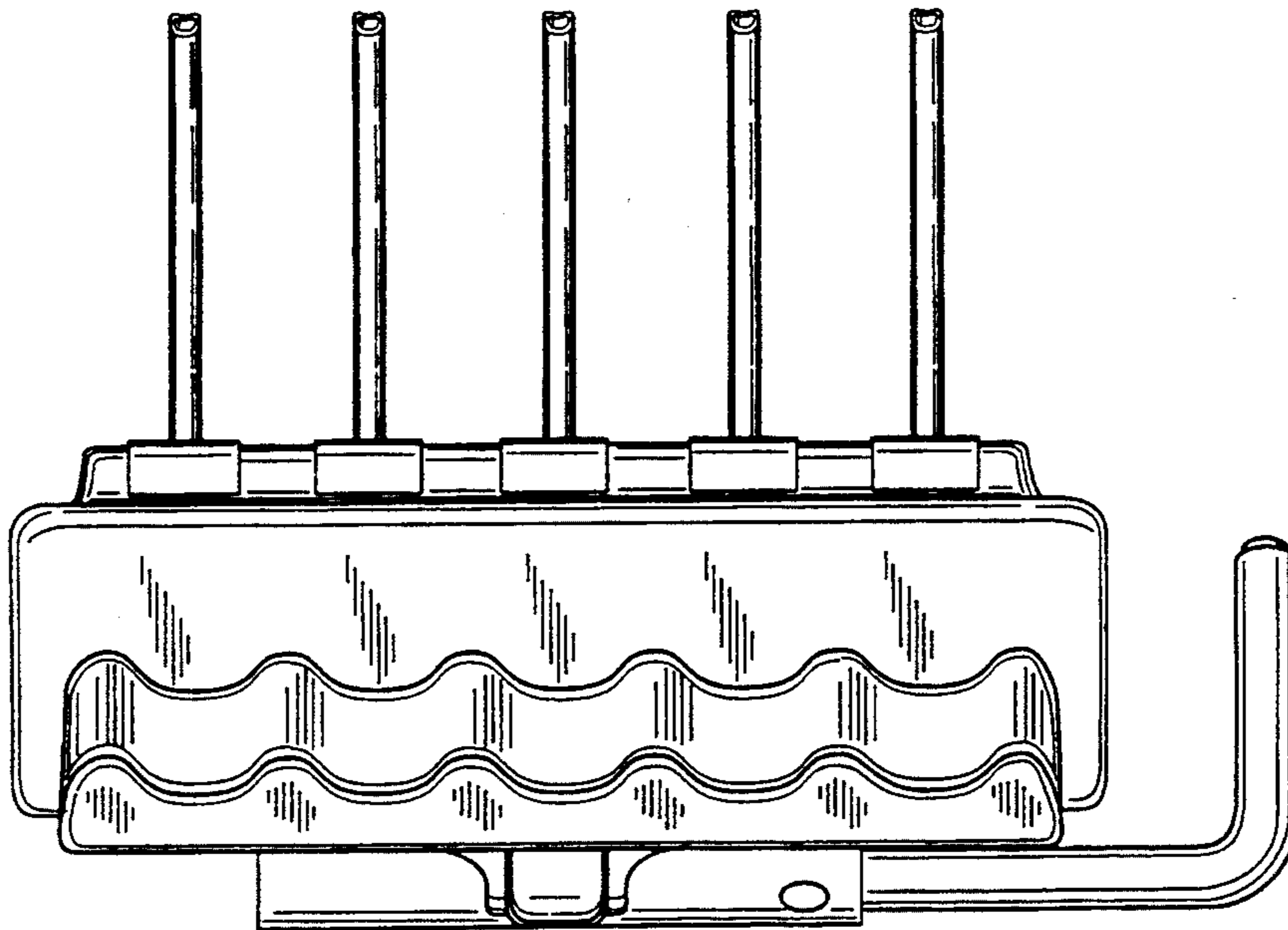


FIG. 14

