



US00D351229S

# United States Patent [19] Wirt

[11] Patent Number: **Des. 351,229**  
[45] Date of Patent: **\*\* Oct. 4, 1994**

[54] **SURGICAL SOLUTION APPLICATOR**

5,098,297 3/1992 Chari et al. .... 604/3

[75] Inventor: **David F. Wirt**, Oak Grove Heights, Wis.

[73] Assignee: **Minnesota Mining and Manufacturing Company**, Saint Paul, Minn.

[\*\*] Term: **14 Years**

[21] Appl. No.: **1,761**

[22] Filed: **Nov. 23, 1992**

[52] U.S. Cl. .... **D24/119**

[58] Field of Search ..... 604/3, 2, 1; 128/898; **D24/119**

[56] **References Cited**

**U.S. PATENT DOCUMENTS**

D. 211,676	7/1968	Flower, Jr. ....	D24/119 X
2,853,727	9/1958	Nadai .	
3,132,370	5/1964	Capezzuto .	
3,133,309	5/1964	Miles .	
3,345,669	10/1967	Starry .....	D24/119 X
3,393,963	7/1968	Nadai .	
3,891,331	6/1975	Avery .....	604/2 X.
4,342,522	8/1982	Mackles .	
4,415,288	11/1983	Gordon et al. .	
4,925,327	5/1990	Wirt .	
5,016,651	5/1991	Stalcup et al. ....	128/898

**OTHER PUBLICATIONS**

"A Fast Easy, Long-Lasting I.V. Prep that Can Help Enhance Dressing Adhesion", Medical-Surgical Division, 3M Health Care, 3M Center, St. Paul, MN 1989 (Brochure).

"DuraPrep™ Solution-Now Ideal for Outpatient, Office-Based and Other Minor Surgical Procedures", Medical-Surgical Products, 3M Health Care, 3M Center, St. Paul, MN 1991 (Brochure).

"Obsoletely Absolutely!" Medical-Surgical Division, 3M Health Care Group, 3M Center, St. Paul, MN Mar. 1988 (Brochure).

*Primary Examiner*—Stella Reid

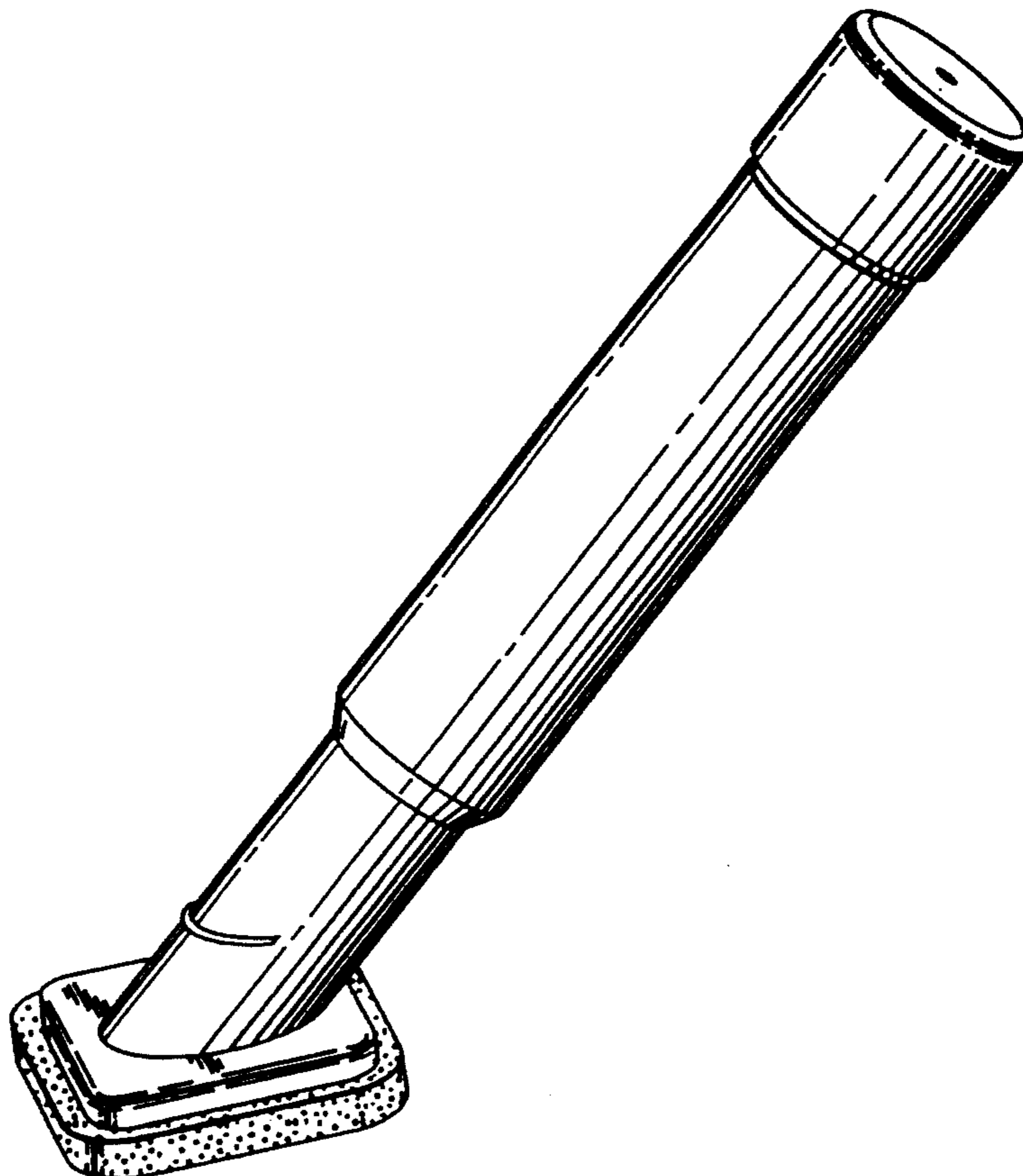
*Attorney, Agent, or Firm*—Gary L. Griswold; Walter N. Kirn; Jennie G. Boeder

[57] **CLAIM**

The ornamental design for a surgical solution applicator, as shown and described.

**DESCRIPTION**

FIG. 1 is a perspective view of a surgical solution applicator showing my new design; FIG. 2 is a perspective view thereof, taken from the underside; and, FIG. 3 is an end view of the surgical solution applicator taken from the handle end.



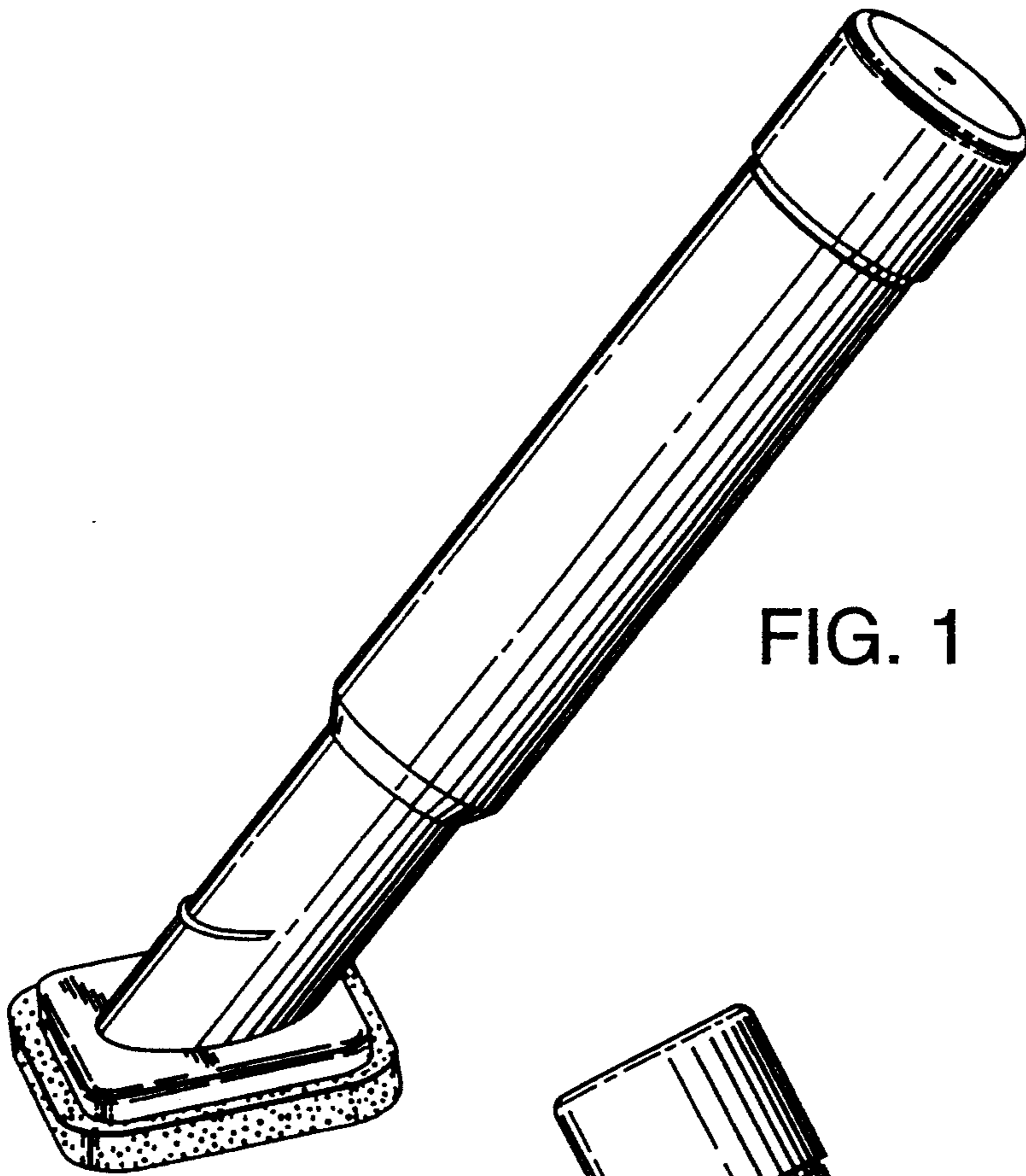


FIG. 1

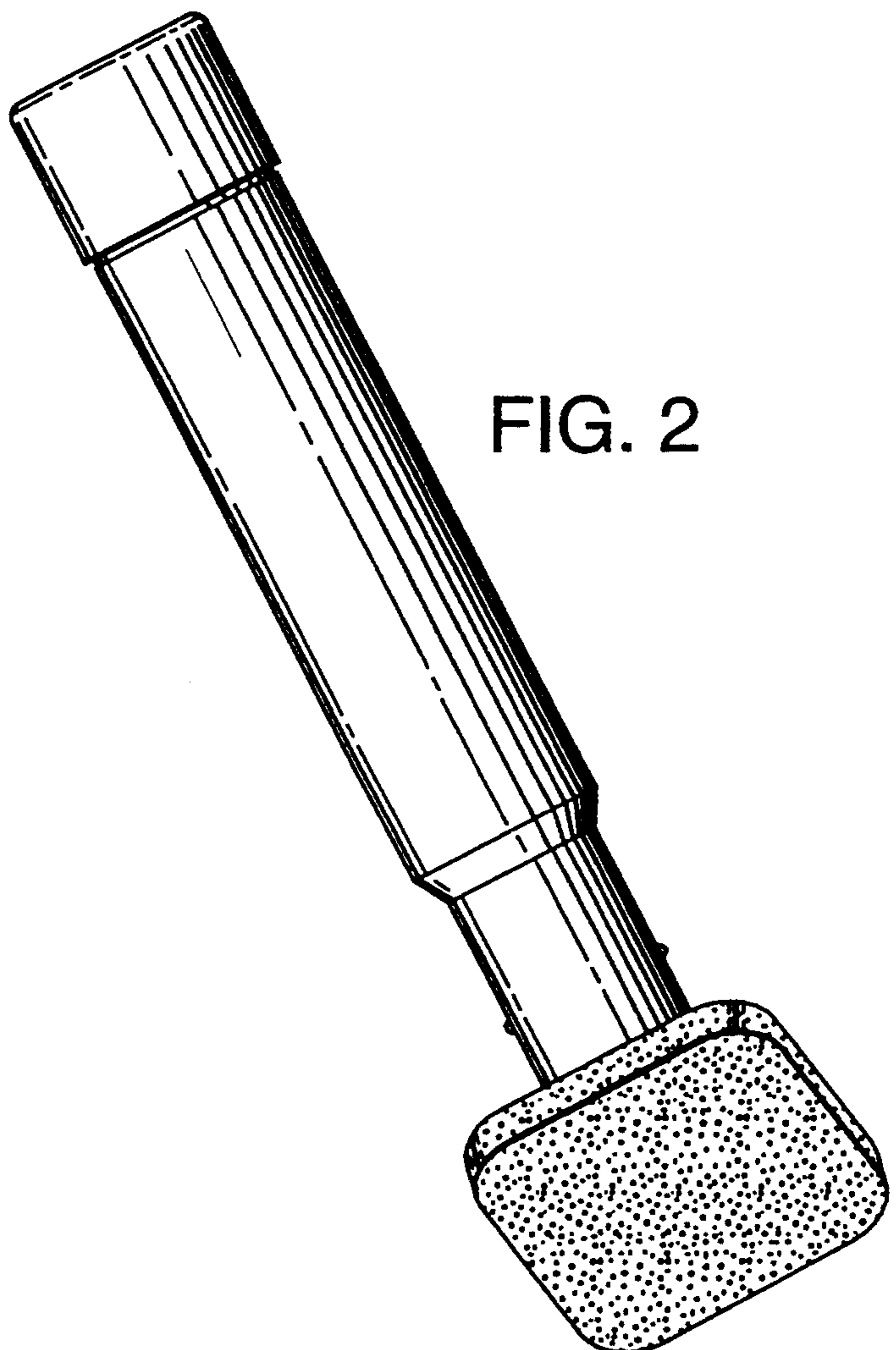


FIG. 2

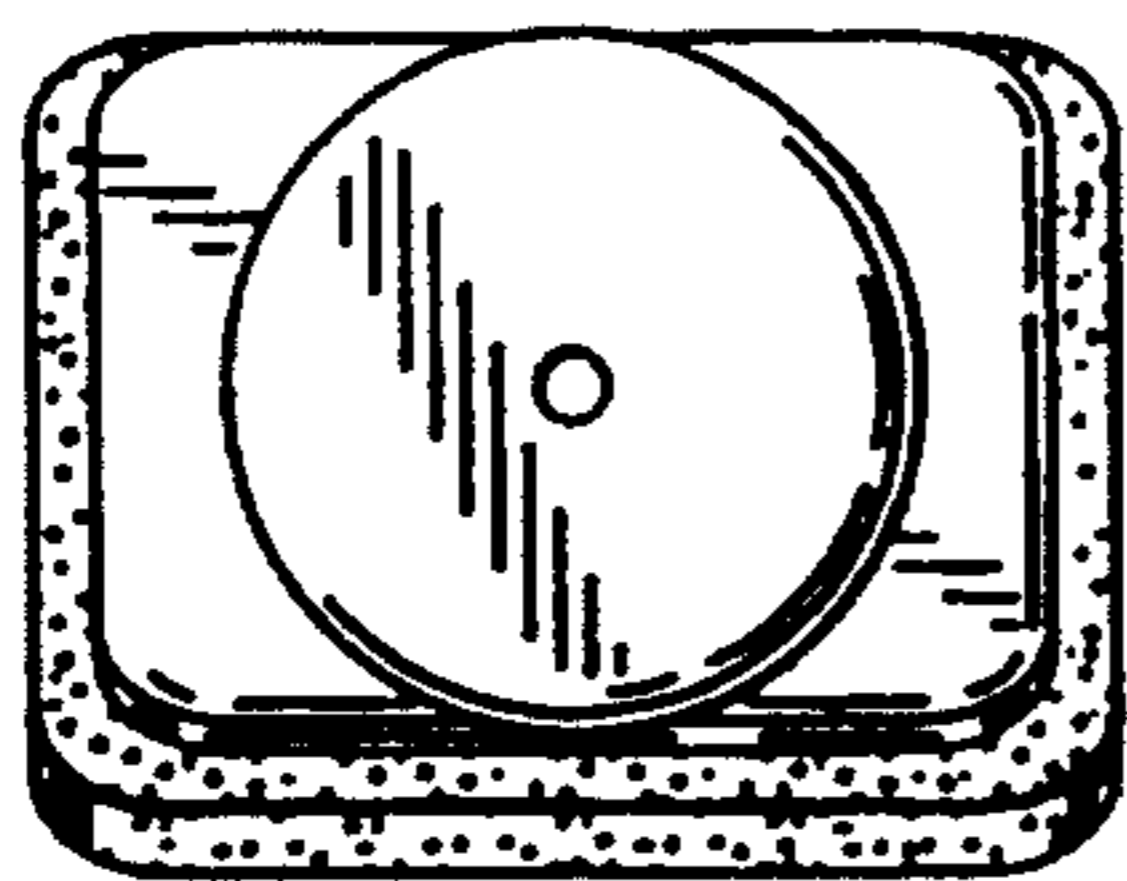


FIG. 3