



US00D351225S

United States Patent [19]

Boisvert

[11] Patent Number: **Des. 351,225**

[45] Date of Patent: **** Oct. 4, 1994**

[54] TOILET

[76] Inventor: **Paul J. Boisvert**, 6170 rue Primeau,
Laval - Québec, Canada, H0A 1G0

[**] Term: **14 Years**

[21] Appl. No.: **839,215**

[22] Filed: **Feb. 18, 1992**

[52] U.S. Cl. **D23/301**

[58] Field of Search 4/213, 216;
D23/295-301

3,120,006	2/1964	Knapp	4/213
3,805,304	4/1974	Ikhata	4/213 X
4,222,129	9/1980	Baker	4/213
4,232,406	11/1980	Beeghly et al.	4/216 X
4,984,305	1/1991	Boisvert	4/216 X
4,993,083	2/1991	Lemieux	4/216 X

Primary Examiner—James R. Largen
Attorney, Agent, or Firm—McHale & Slavin

[57] CLAIM

The ornamental design for a toilet, as shown and described.

DESCRIPTION

FIG. 1 is a top plan view of a toilet showing my new design;

FIG. 2 is a left side elevational view thereof;

FIG. 3 is a front elevational view thereof;

FIG. 4 is a right side elevational view thereof; and,

FIG. 5 is a rear elevational view thereof.

[56] References Cited

U.S. PATENT DOCUMENTS

D. 310,407	9/1990	Stairs, Jr.	D23/301
D. 311,242	10/1990	Reid	D23/301
2,847,682	8/1958	Shay	4/213
2,949,615	8/1960	Farrell	4/216

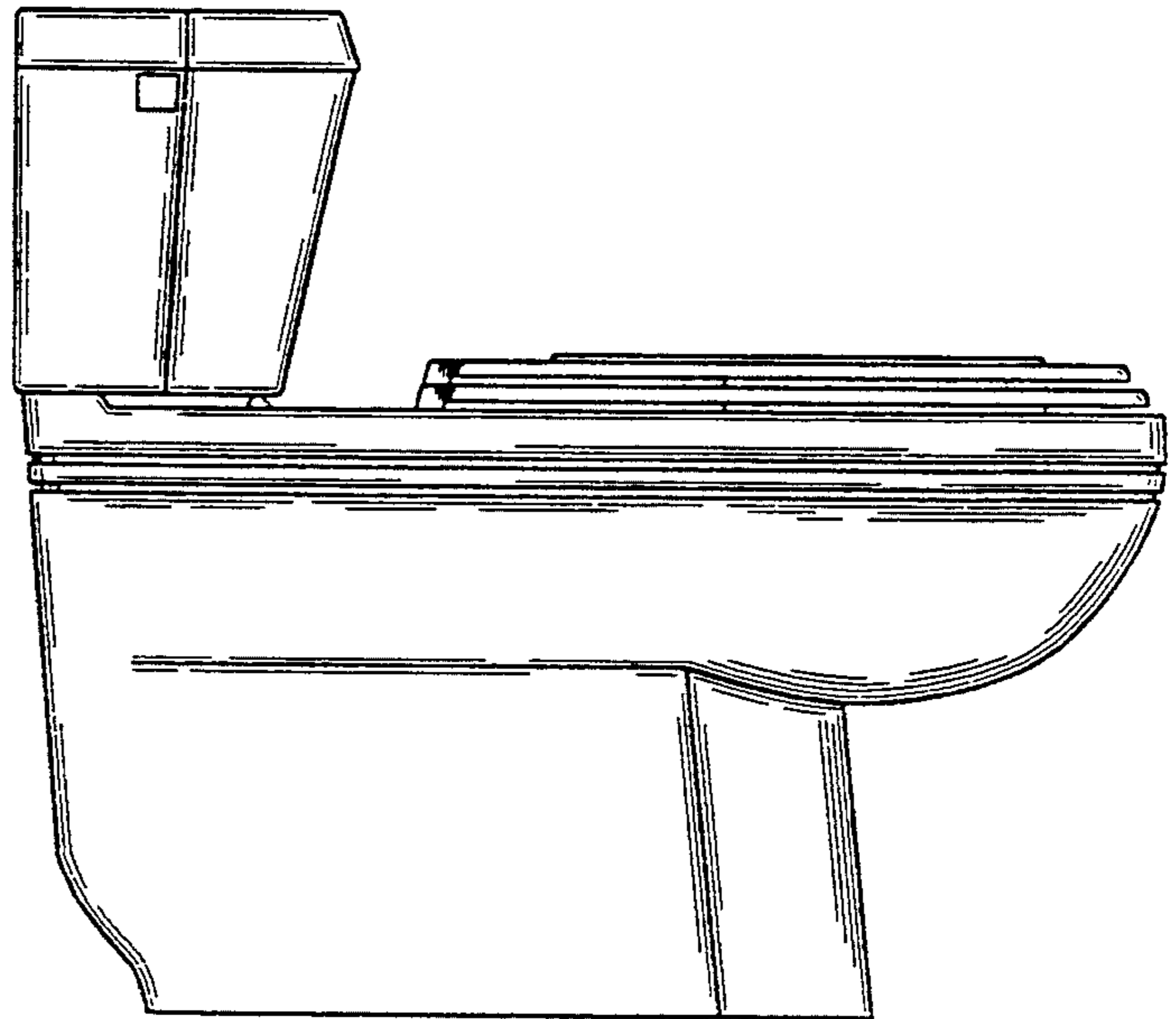
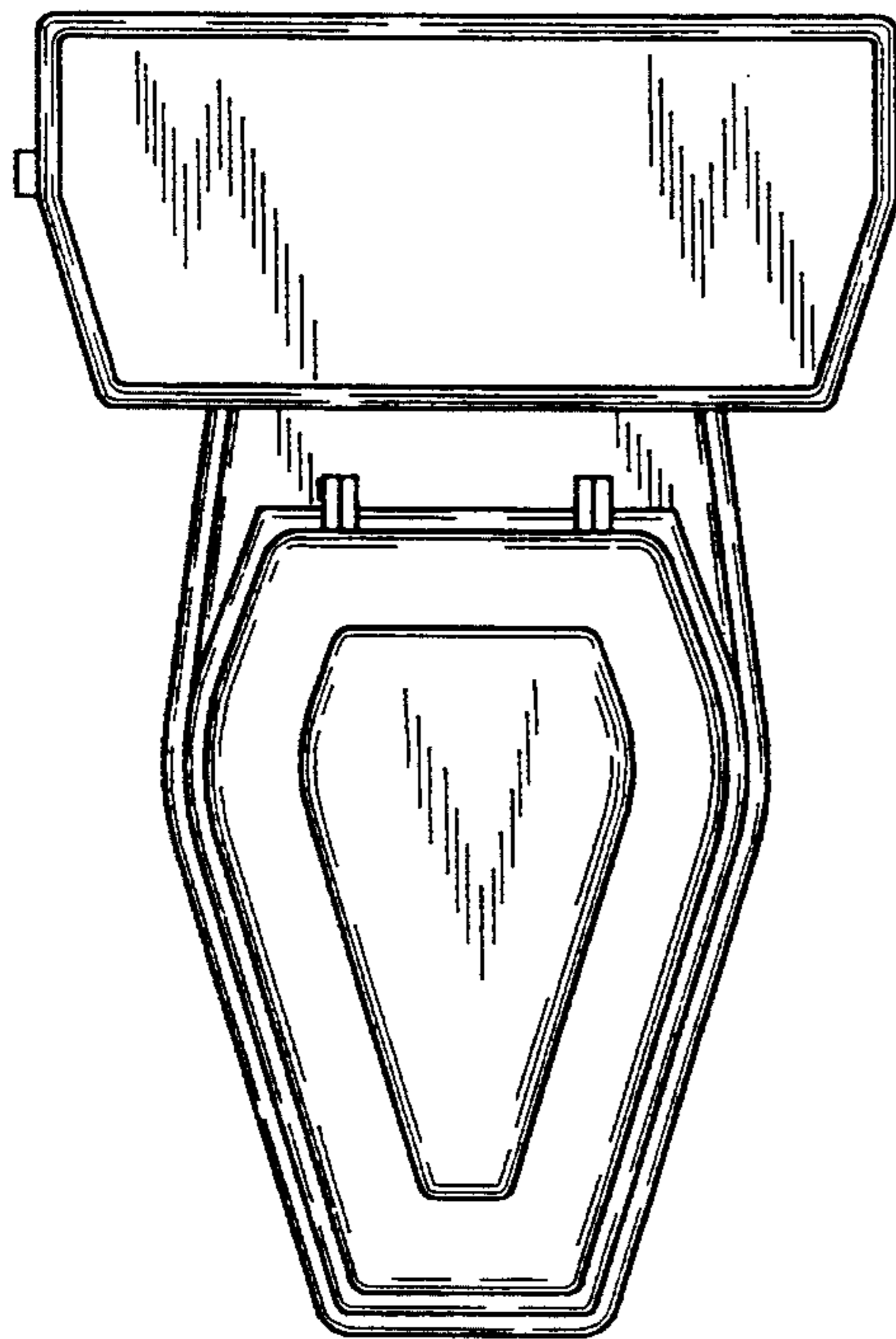


FIG. 1

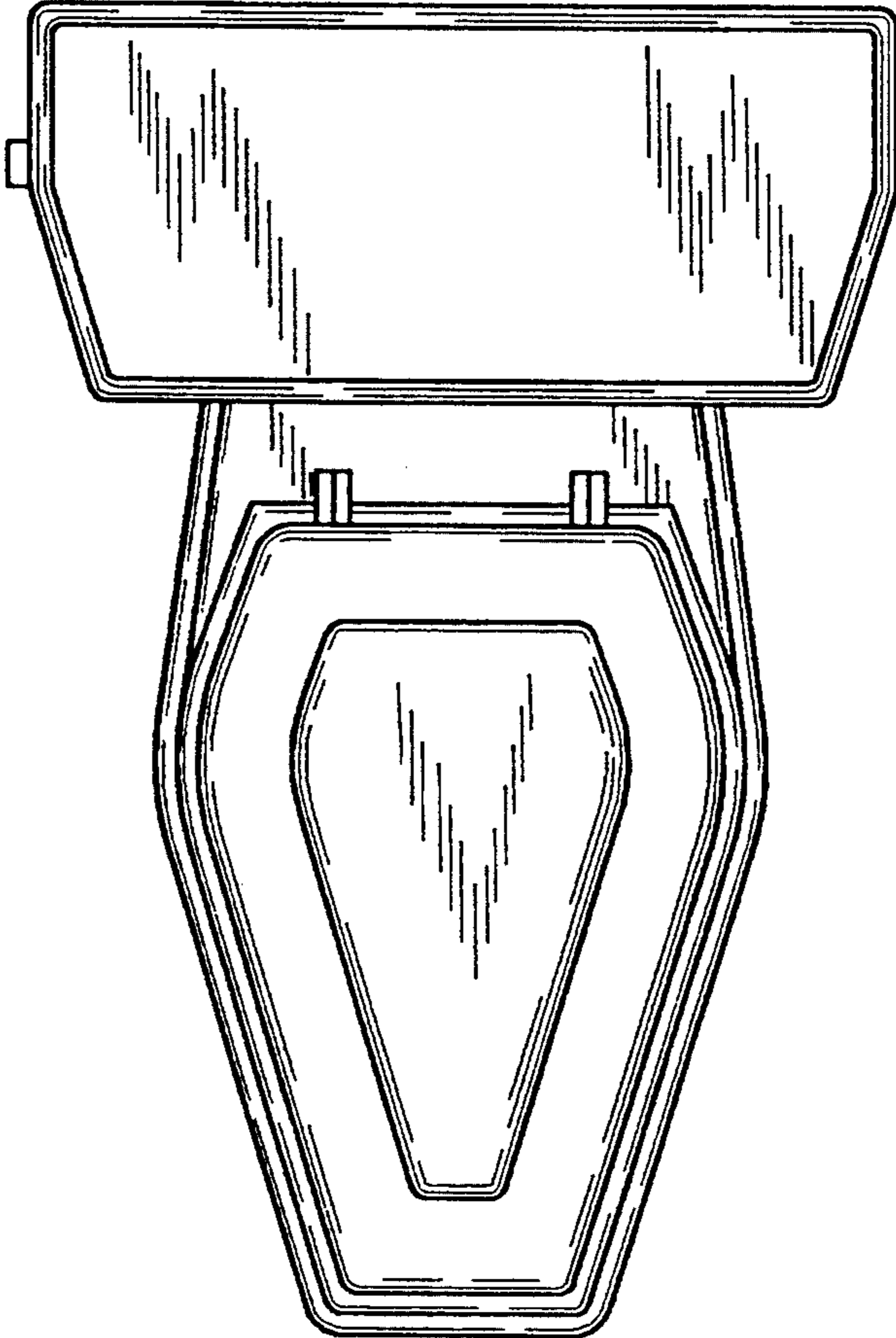


FIG. 3

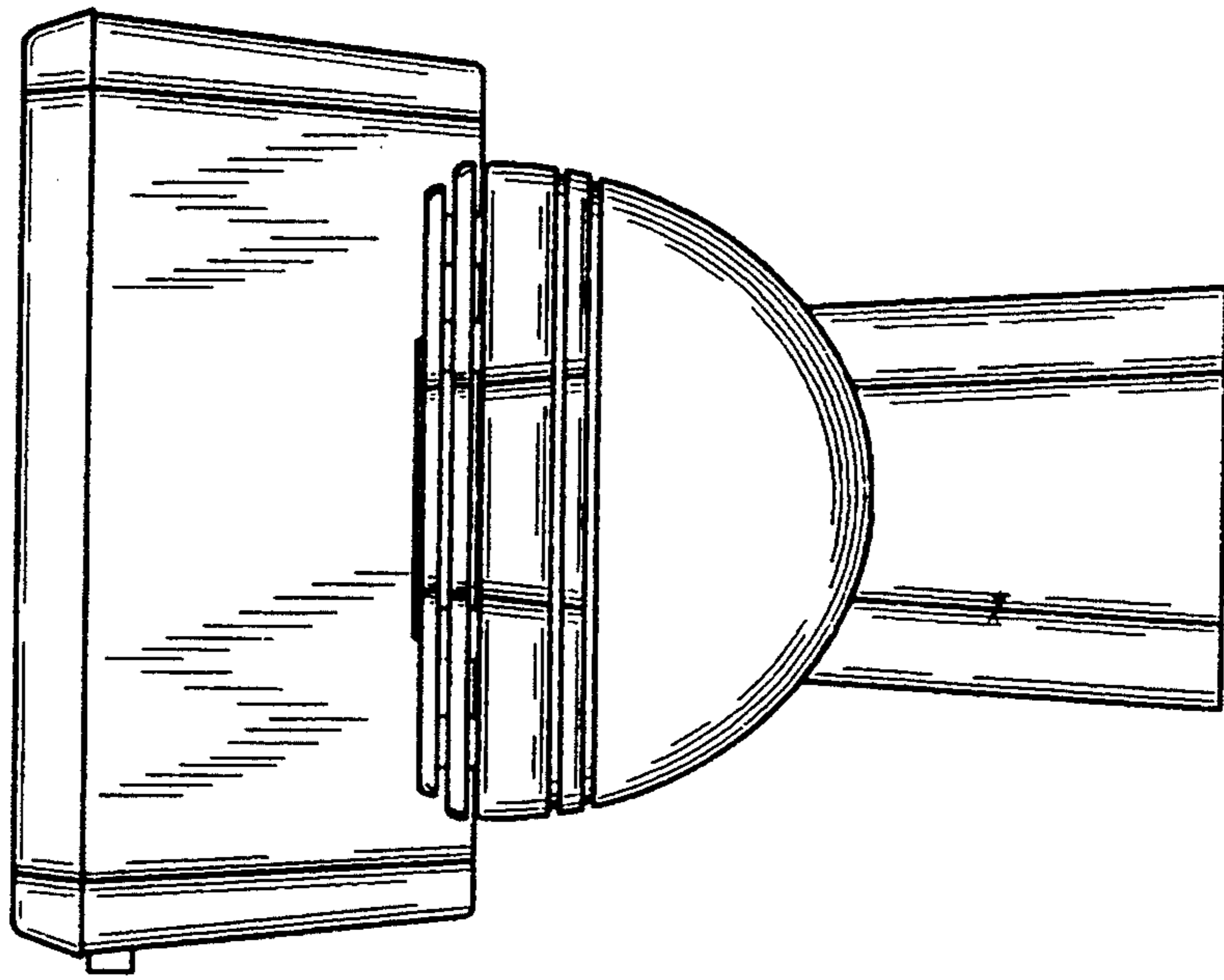


FIG. 2

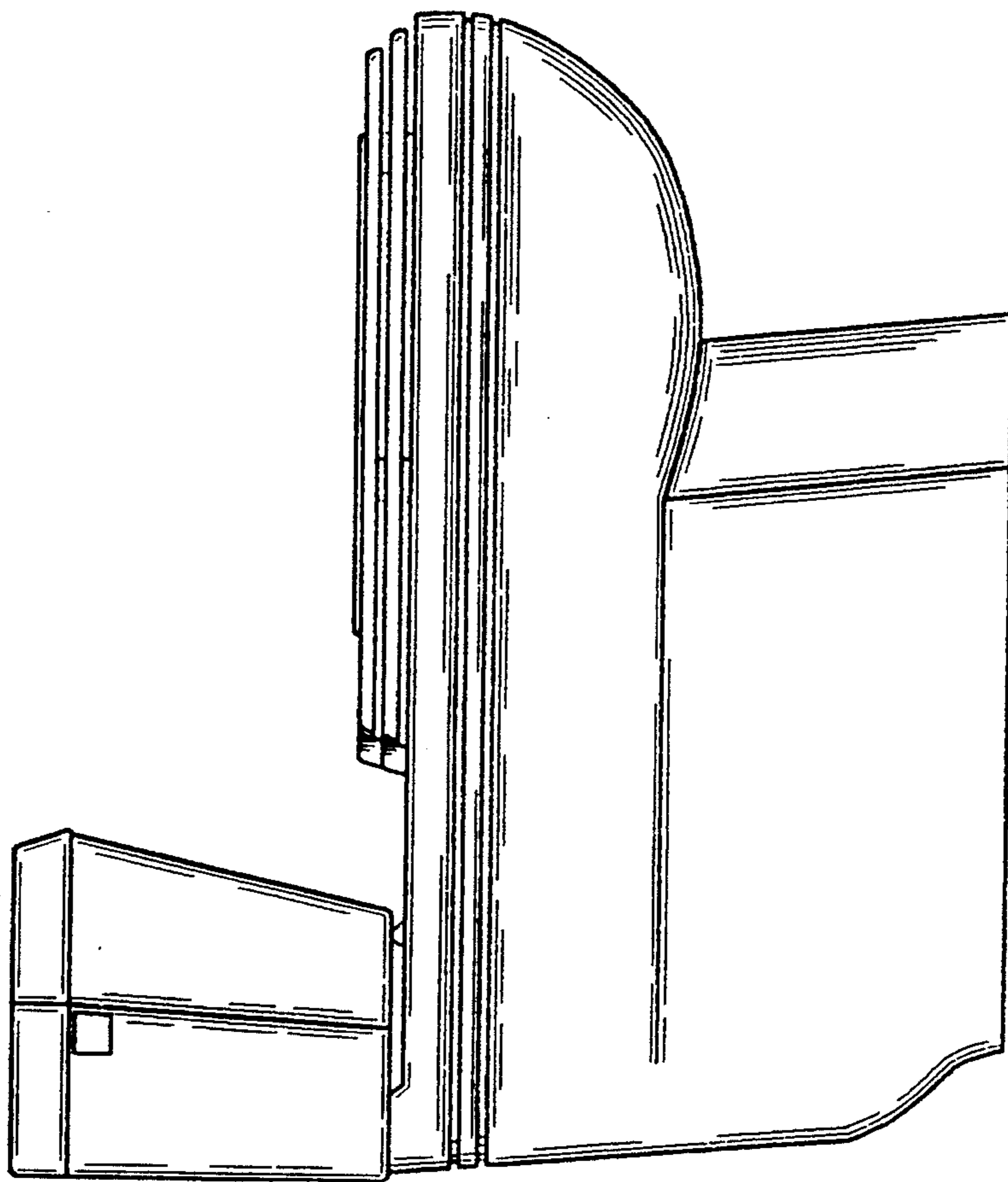


FIG. 5

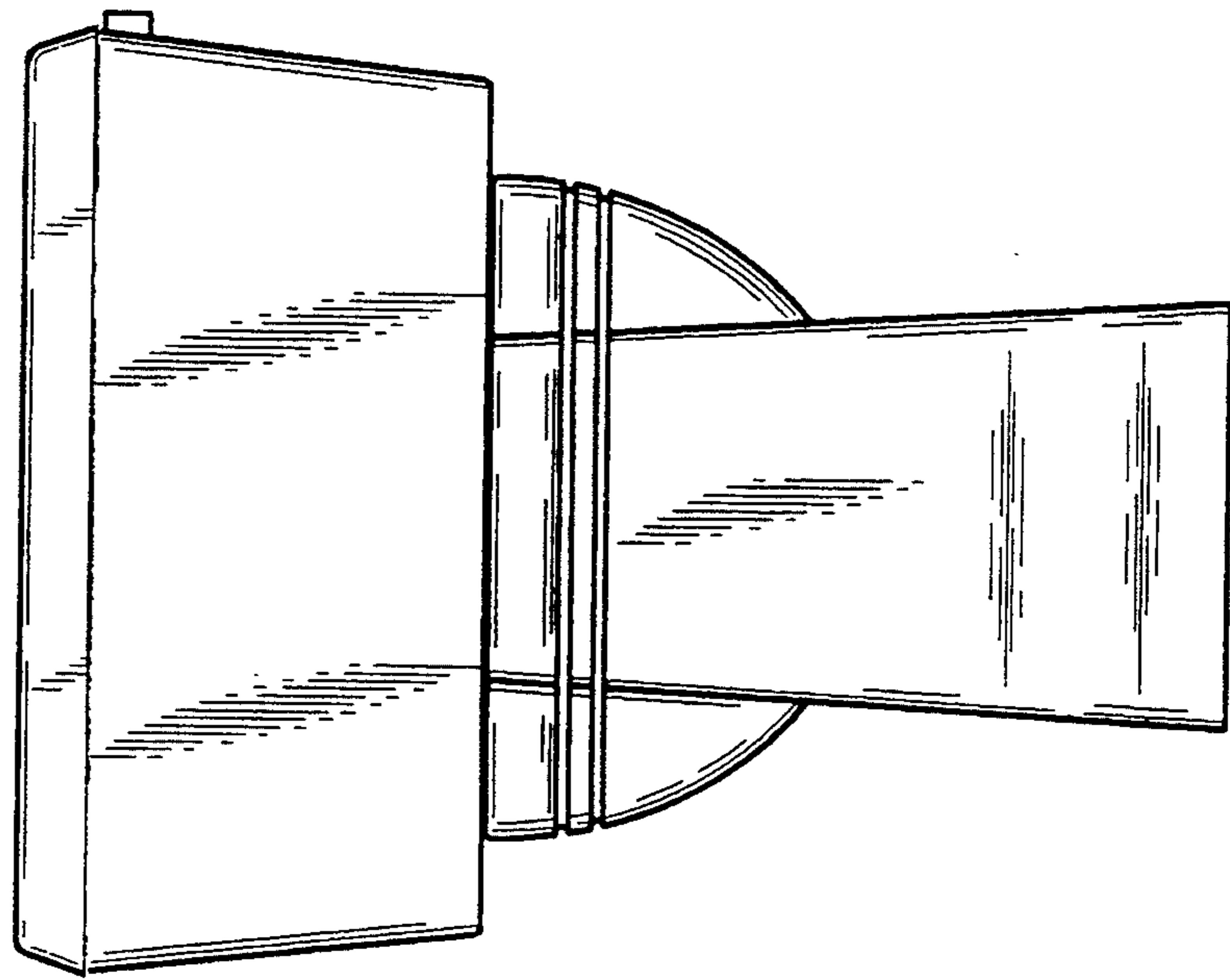


FIG. 4

