



US00D351224S

United States Patent [19]

[11] Patent Number: **Des. 351,224**

Wise et al.

[45] Date of Patent: **** Oct. 4, 1994**

- [54] **CHILD'S TOILET TRAINER**
- [75] Inventors: **Robert D. Wise, Akron; Hope E. Wentling, Bath, both of Ohio**
- [73] Assignee: **Century Products Company, Macedonia, Ohio**
- [**] Term: **14 Years**
- [21] Appl. No.: **13,766**
- [22] Filed: **Oct. 1, 1993**
- [52] U.S. Cl. **D23/296**
- [58] Field of Search **4/476, 478, 483; D23/295-301**

- D. 231,832 6/1974 Panicci D23/296
- D. 260,423 8/1981 Helkama-Ragard D23/296
- D. 308,573 6/1990 Kain et al. D23/296
- 2,662,229 12/1953 Wenkstern 4/476
- 3,343,179 9/1967 Sellars, Jr. et al. 4/476

Primary Examiner—James R. Largen
Attorney, Agent, or Firm—Graham & James

[57] CLAIM

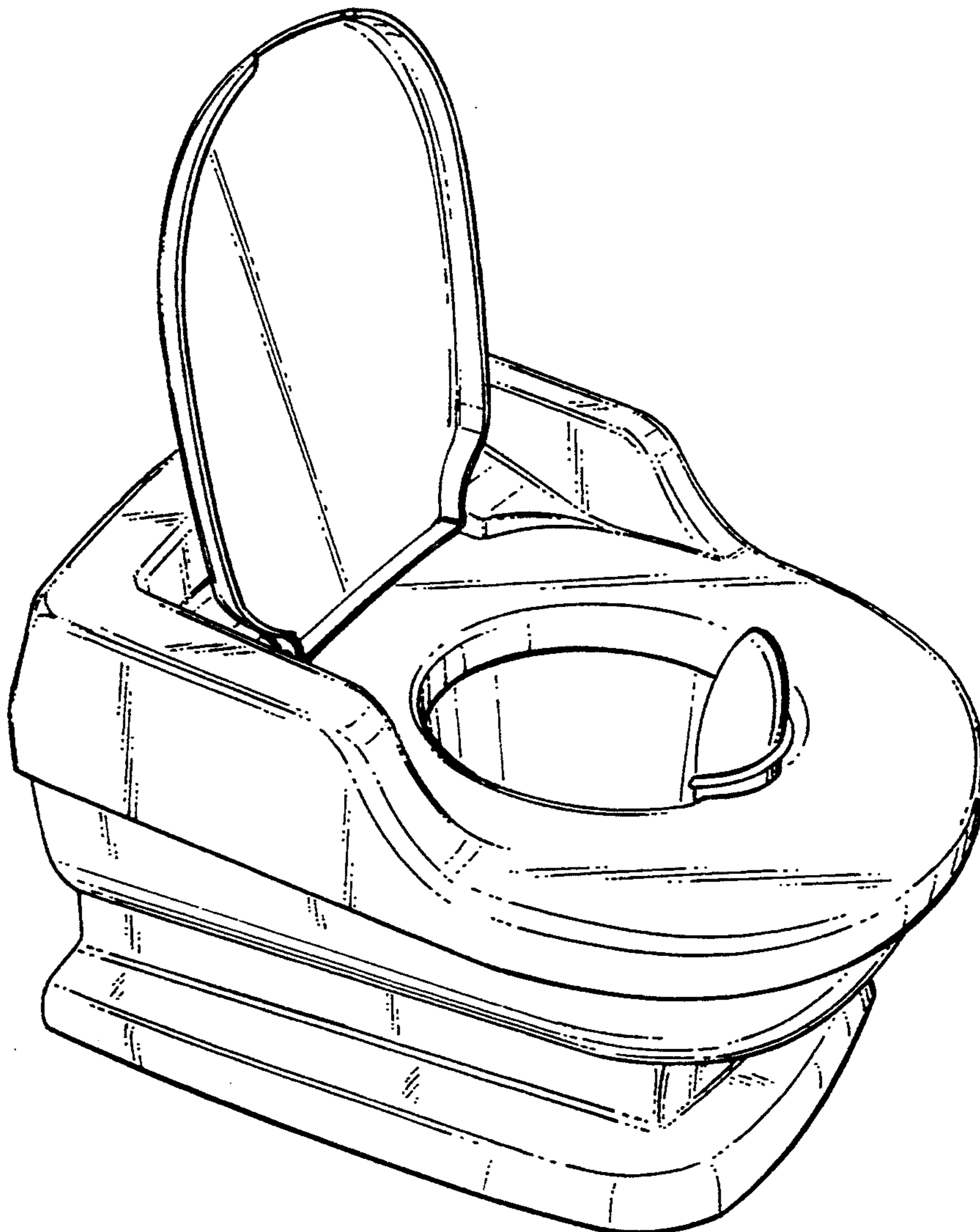
The ornamental design for a child's toilet trainer, as shown and described.

DESCRIPTION

FIG. 1 is a perspective view of a child's toilet trainer showing our new design;
 FIG. 2 is a top plan view thereof;
 FIG. 3 is a front elevational view thereof;
 FIG. 4 is a left side elevational view thereof, the right side being a mirror image of the left side;
 FIG. 5 is a rear elevational view thereof; and,
 FIG. 6 is a bottom plan view thereof.

[56] **References Cited**
U.S. PATENT DOCUMENTS

- D. 168,463 12/1952 La Hue D23/296
- D. 197,949 4/1964 Forsman D23/296
- D. 203,435 1/1966 Sellars, Jr. et al. D23/296
- D. 225,224 11/1972 Benjamin D23/296



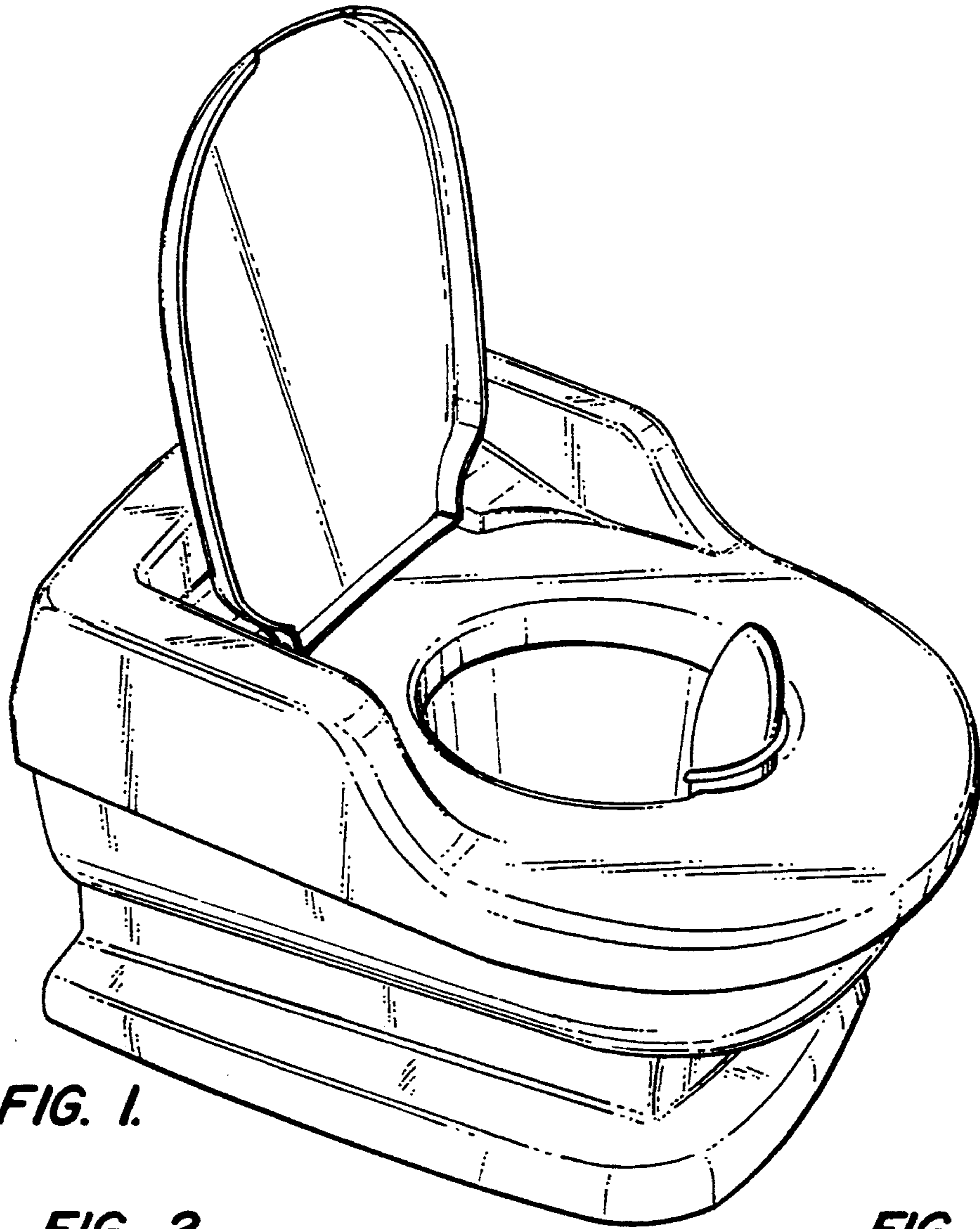


FIG. 1.

FIG. 2.

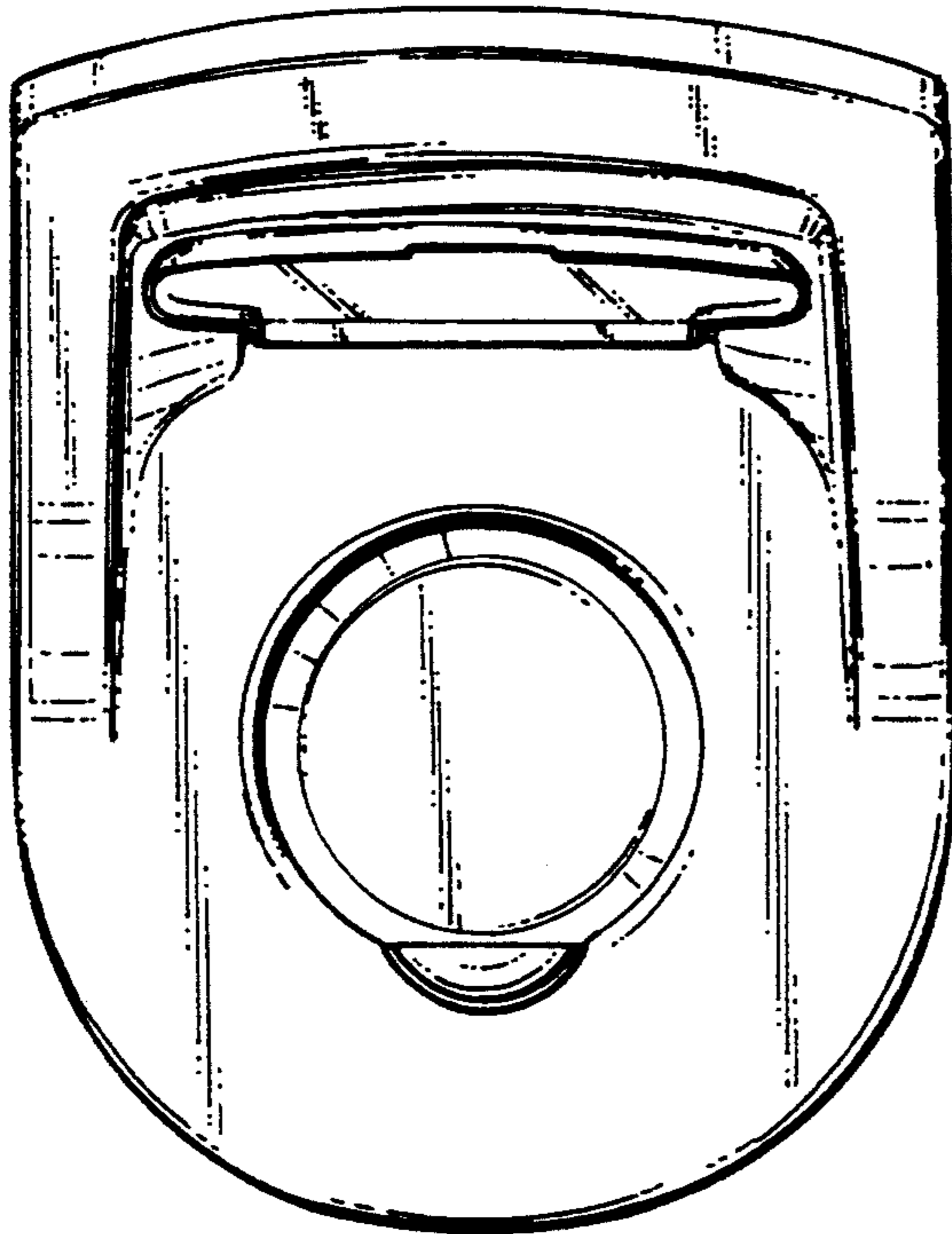
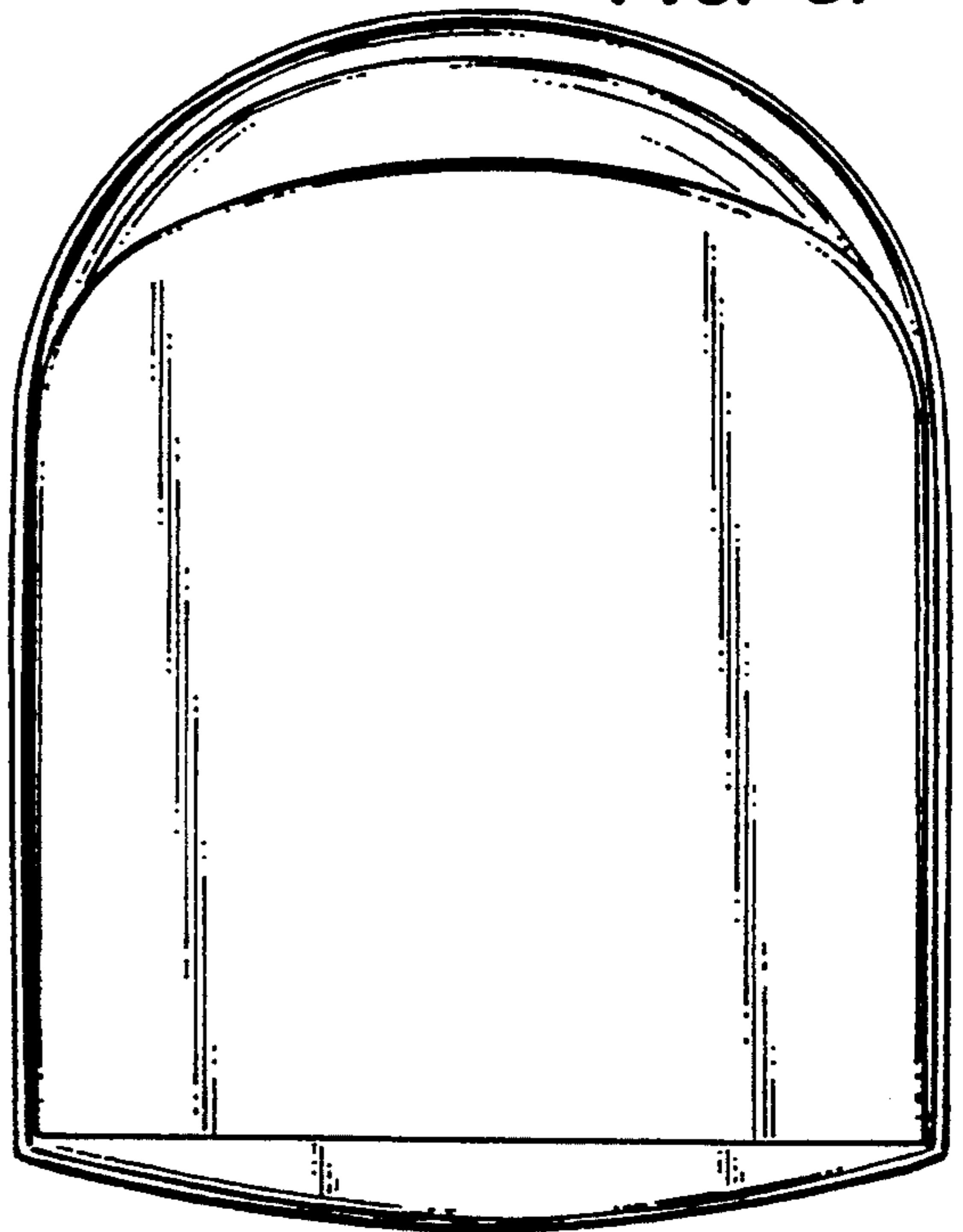


FIG. 6.



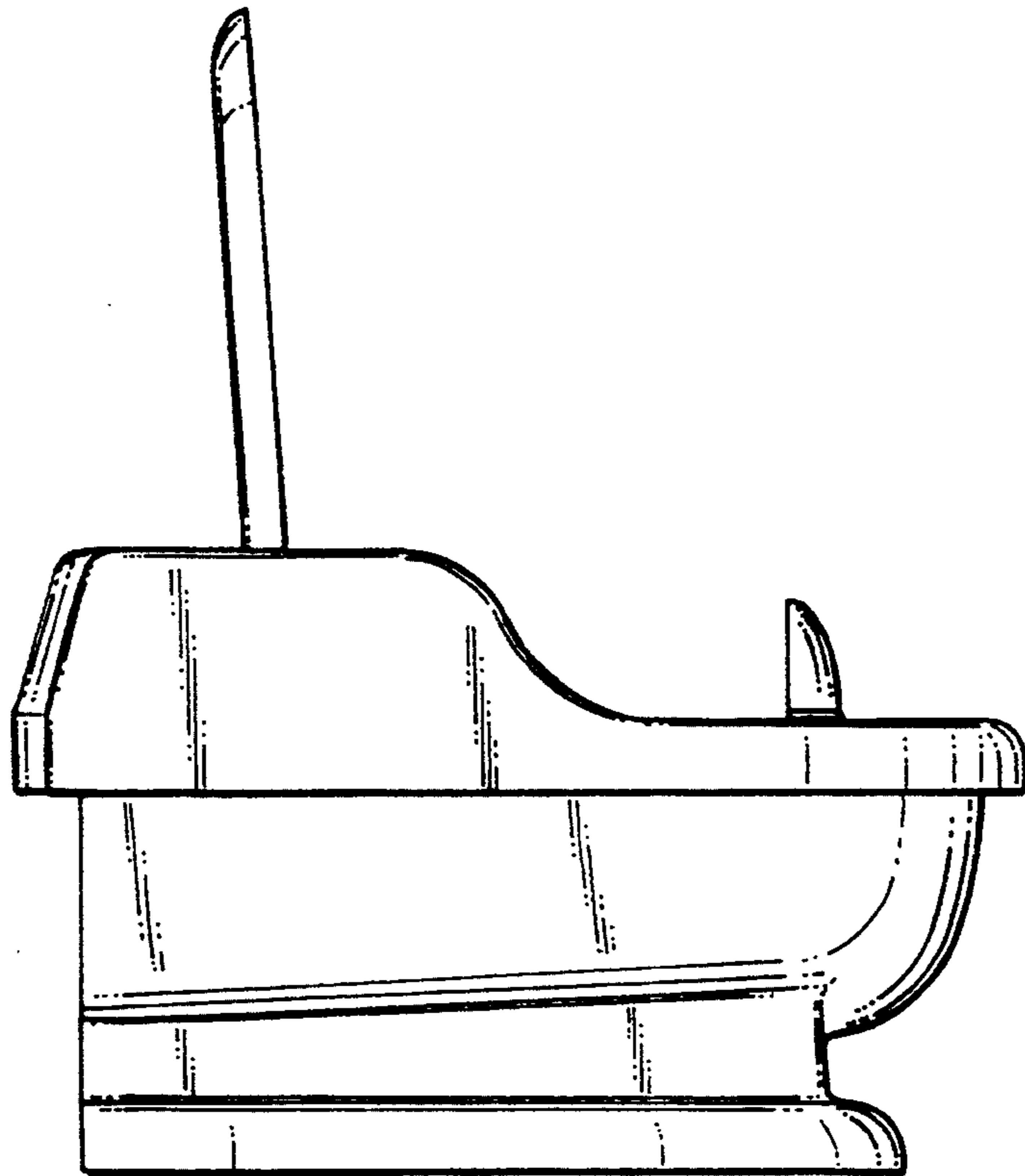


FIG. 4.

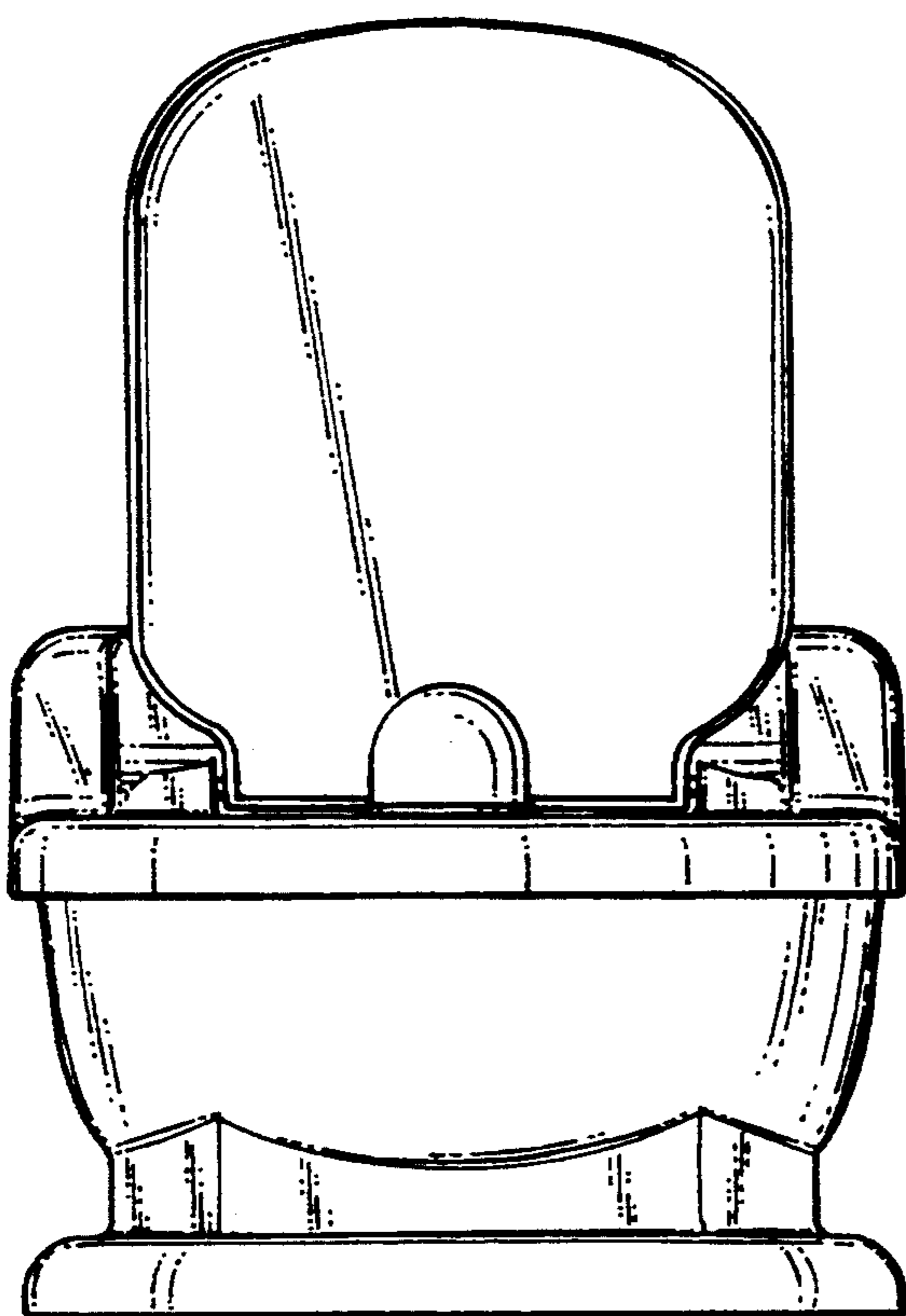


FIG. 3.

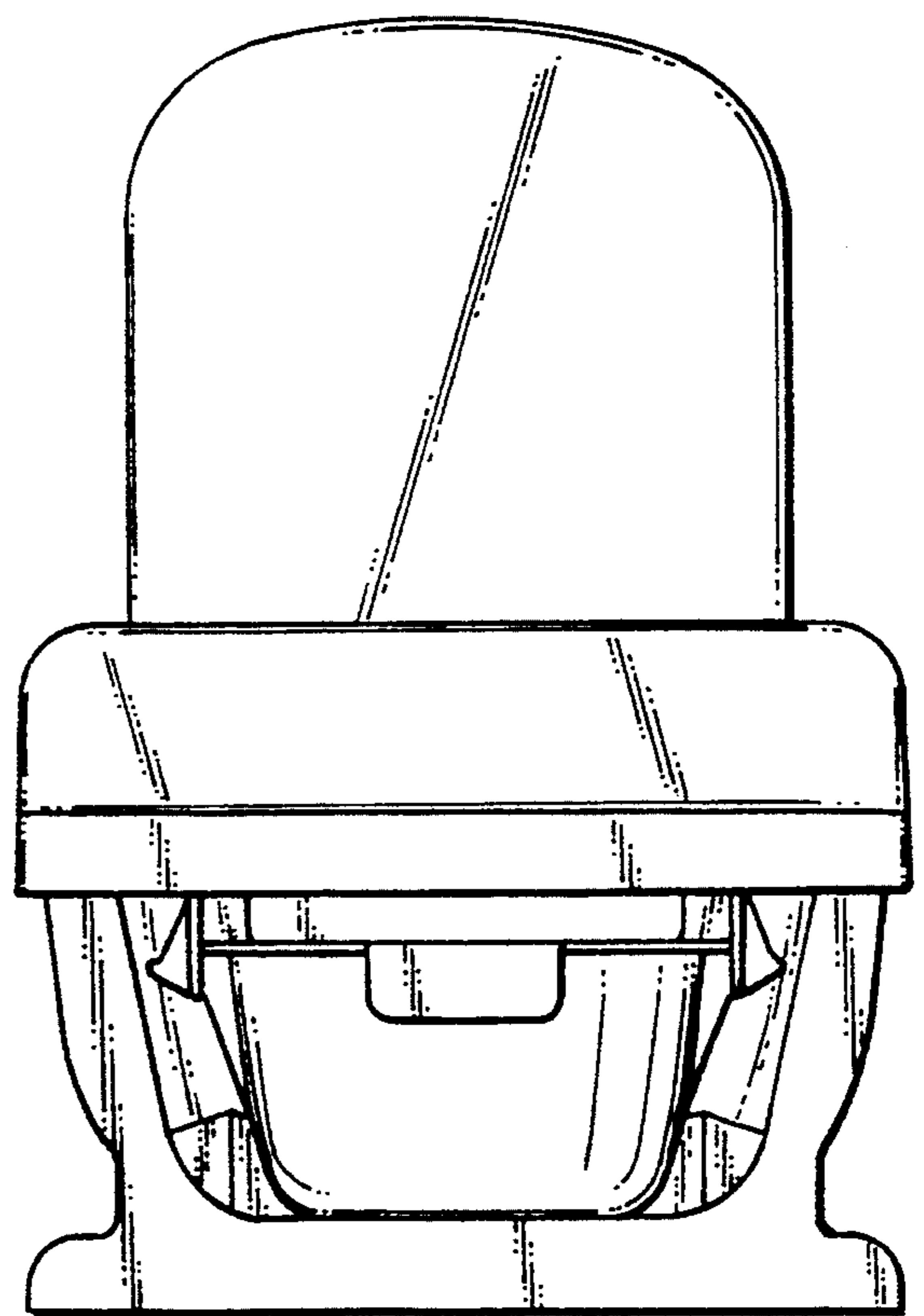


FIG. 5.