



US00D351223S

United States Patent [19]

[11] Patent Number: **Des. 351,223**

Wise et al.

[45] Date of Patent: **** Oct. 4, 1994**

[54] **CHILD'S TOILET TRAINER**

[75] Inventors: **Robert D. Wise; Joel W. Wennerstrom**, both of Akron, Ohio;
Peter J. Myers, Plano, Tex.

[73] Assignee: **Century Products Company**,
Macedonia, Ohio

[**] Term: **14 Years**

[21] Appl. No.: **13,765**

[22] Filed: **Oct. 1, 1993**

[52] U.S. Cl. **D23/296**

[58] Field of Search **4/476, 478, 483;**
D23/295-301

[56] **References Cited**

U.S. PATENT DOCUMENTS

- D. 168,463 12/1952 La Hup D23/296
- D. 197,949 4/1964 Forsman D23/296
- D. 203,435 1/1966 Sellars, Jr. et al. D23/296

- D. 225,224 11/1972 Benjamin D23/296
- D. 231,832 6/1974 Panicci D23/296
- D. 260,423 8/1981 Helkama-Ragard D23/296
- D. 308,573 6/1990 Kain et al. D23/296
- 2,662,229 12/1953 Wenkstern 4/476
- 3,343,179 9/1967 Sellars, Jr. et al. 4/476

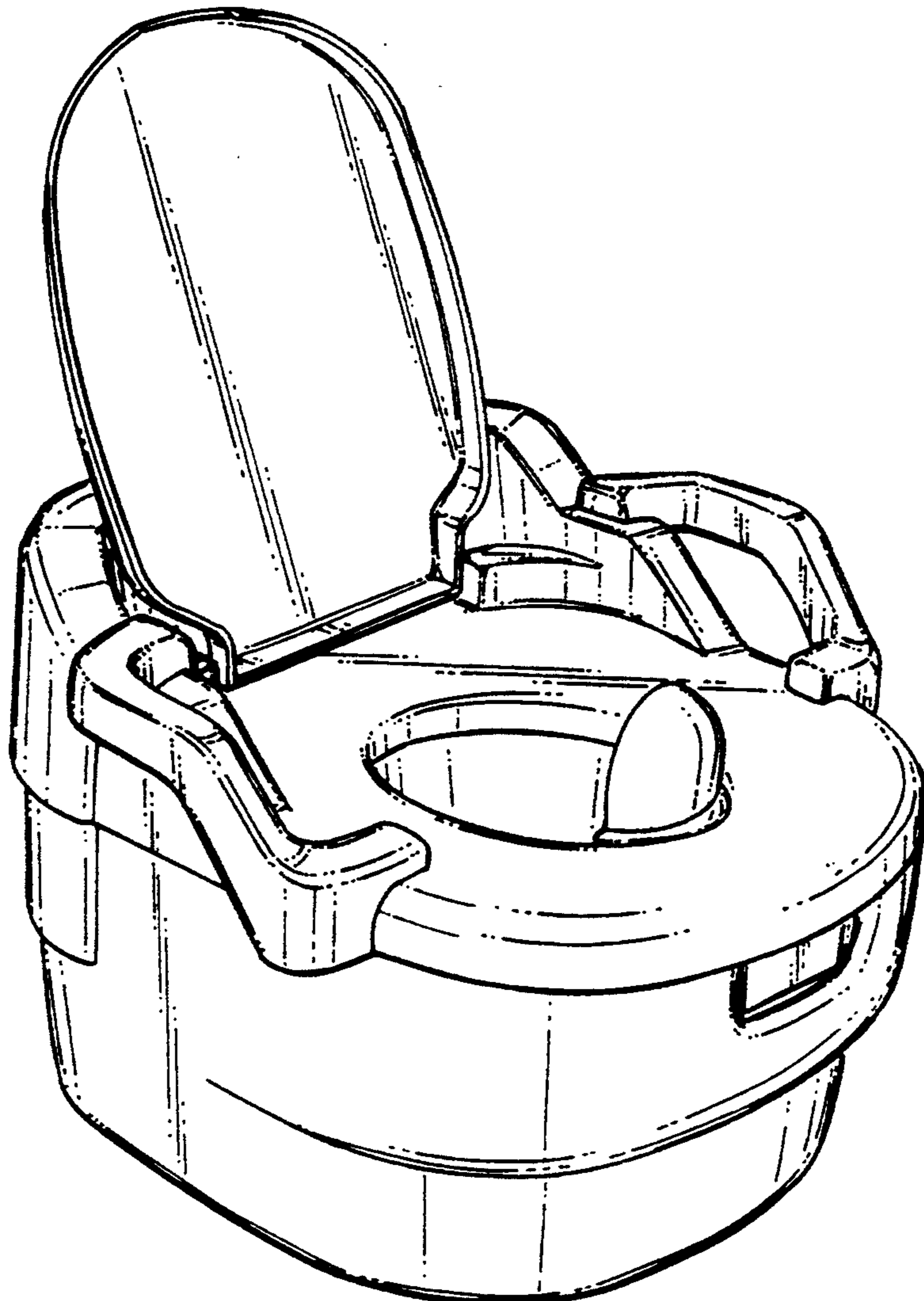
Primary Examiner—James R. Largen
Attorney, Agent, or Firm—Graham & James

[57] **CLAIM**

The ornamental design for an child's toilet trainer, as shown and described.

DESCRIPTION

FIG. 1 is a perspective view of a child's toilet trainer showing our new design;
FIG. 2 is a top plan view thereof.
FIG. 3 is a front elevational view thereof;
FIG. 4 is a left side elevational view thereof, the right side being a mirror image of the left side;
FIG. 5 is a rear elevational view thereof; and,
FIG. 6 is a bottom plan view thereof.



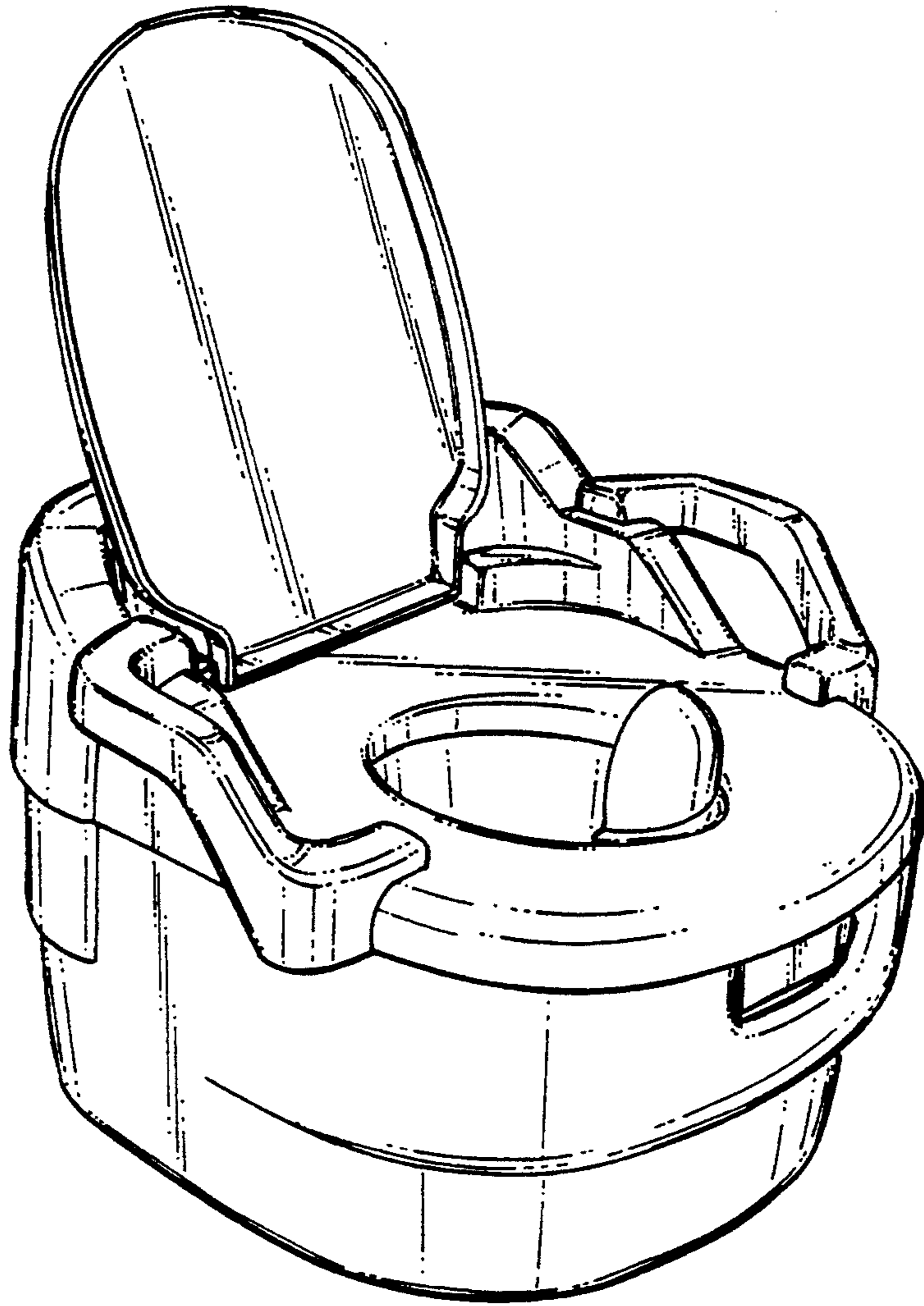


FIG. 1.

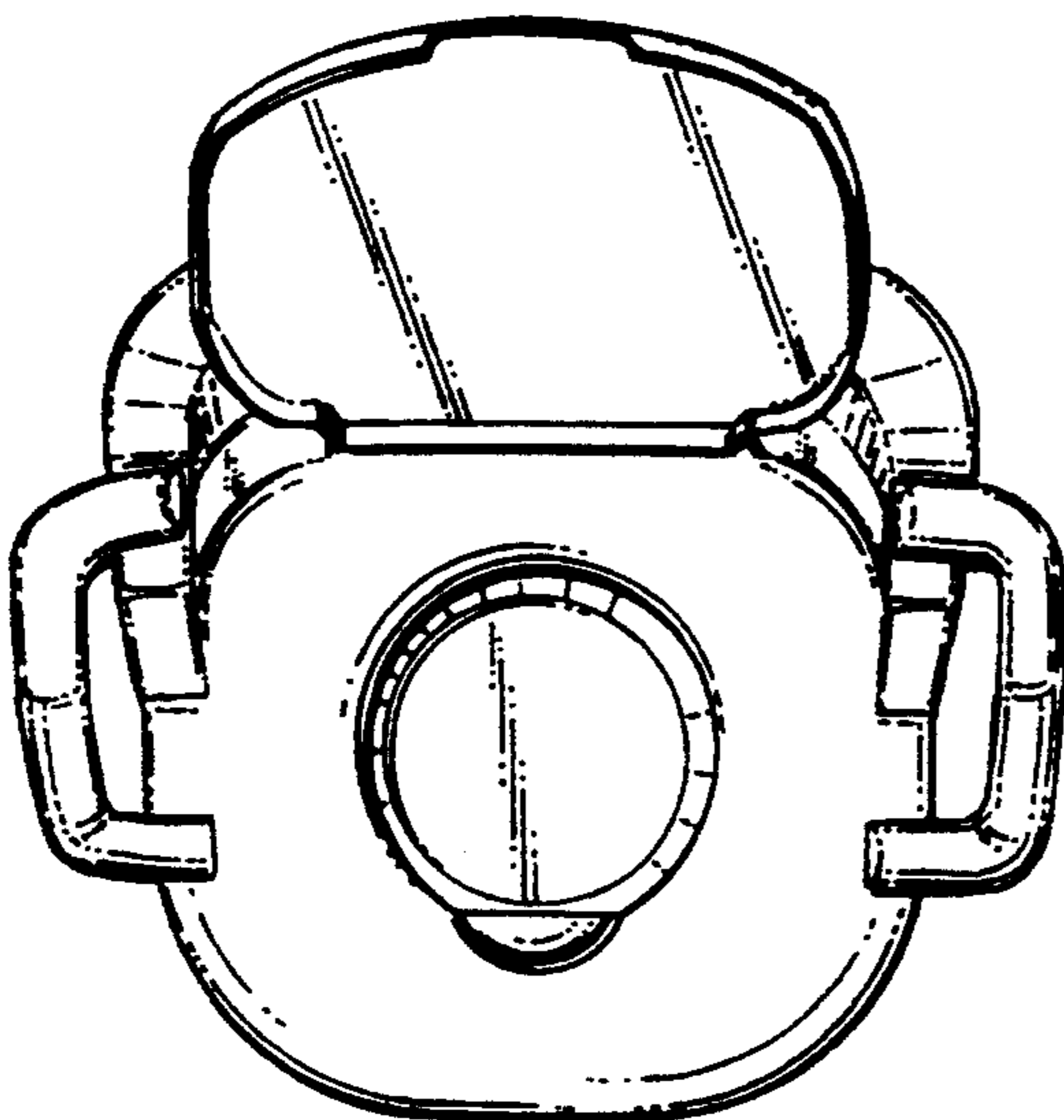


FIG. 2.

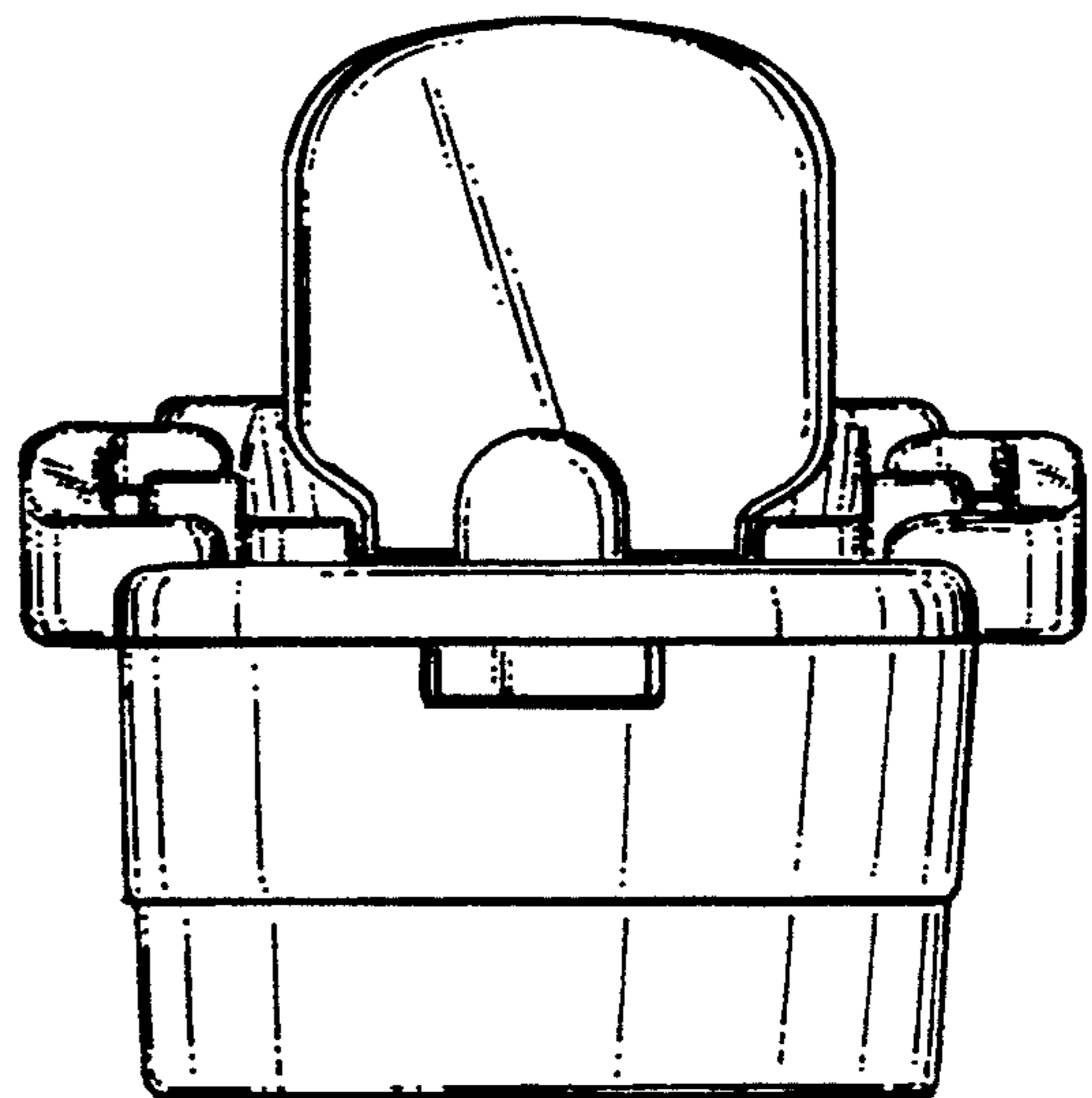


FIG. 3.

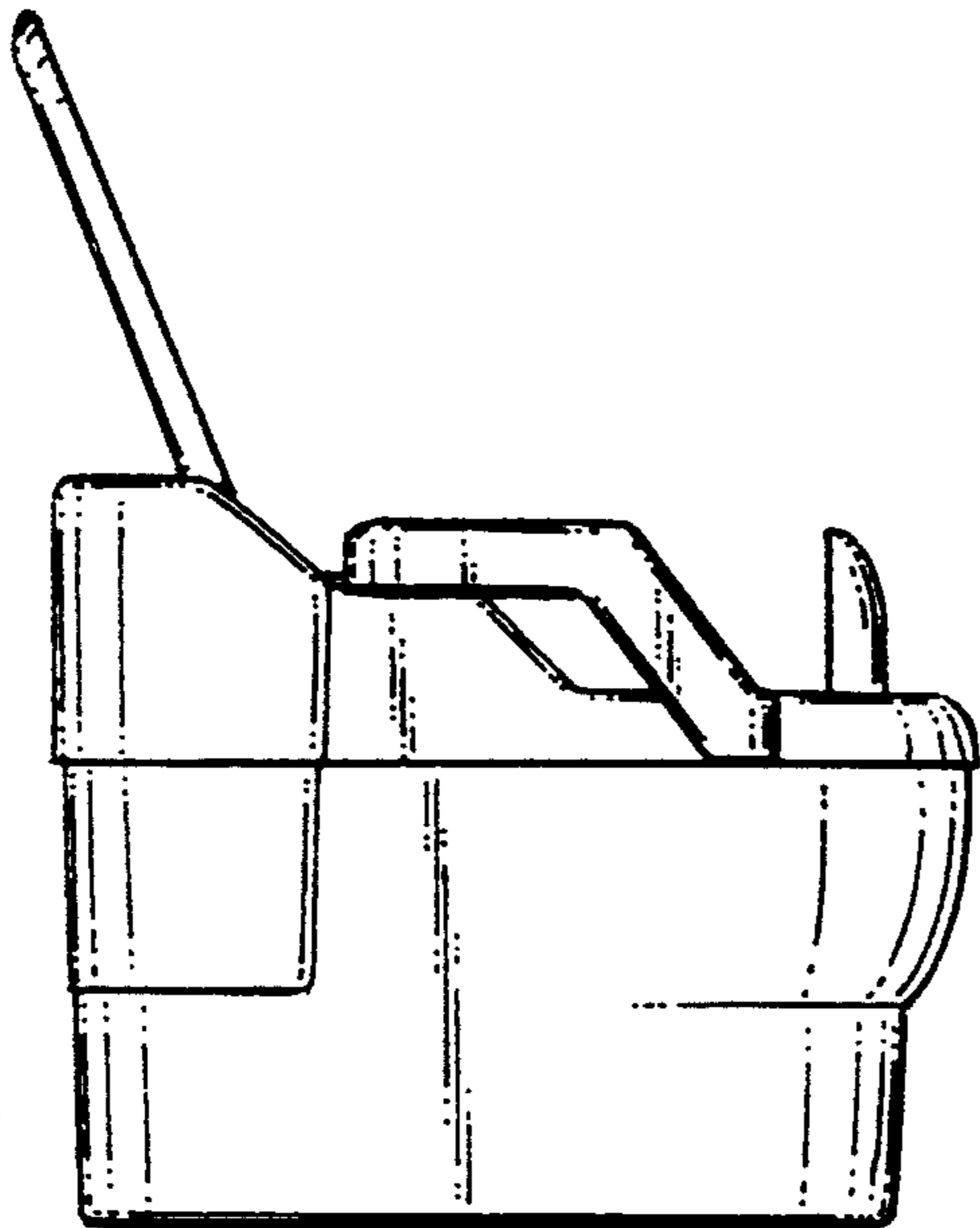


FIG. 4.

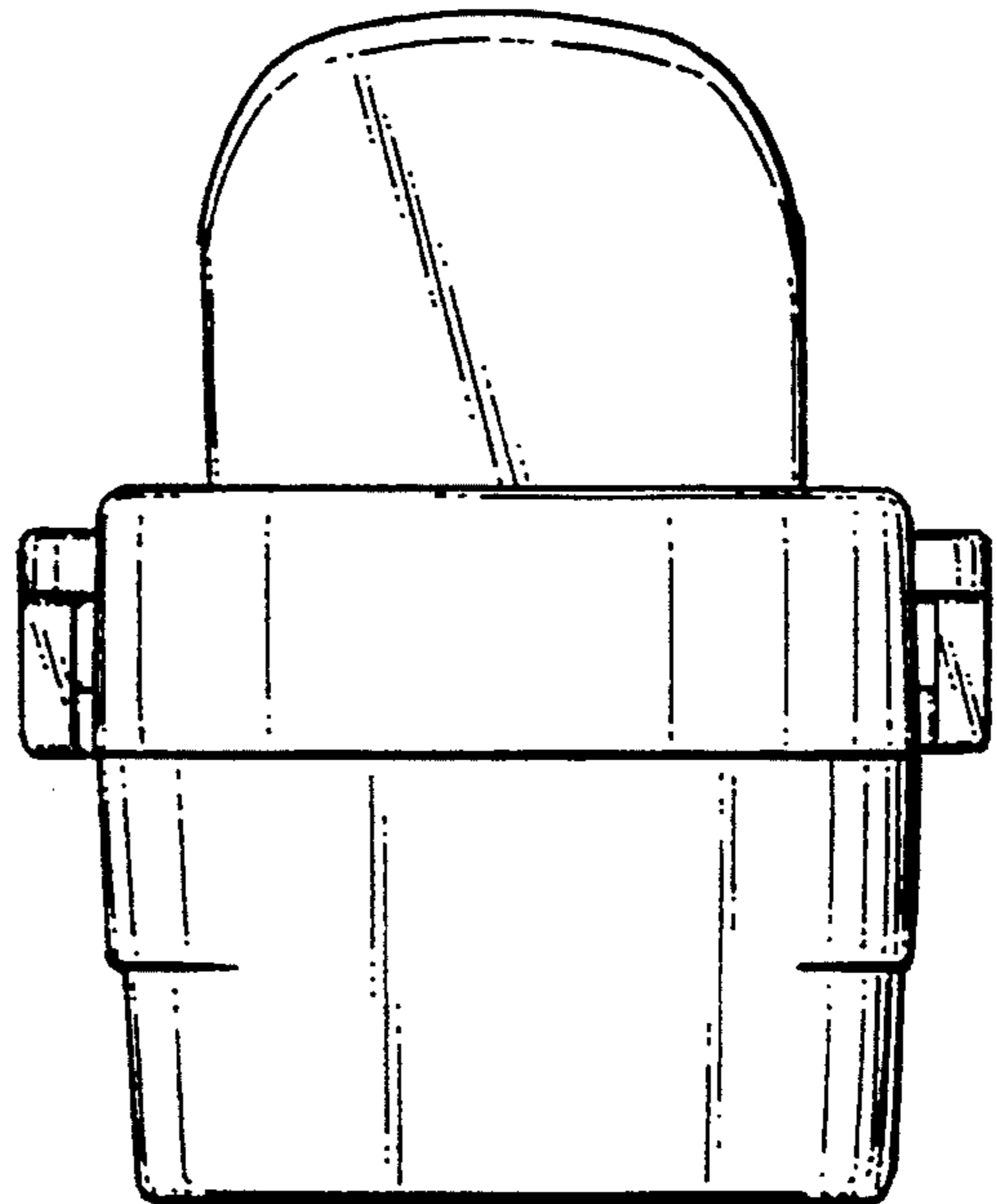


FIG. 5.

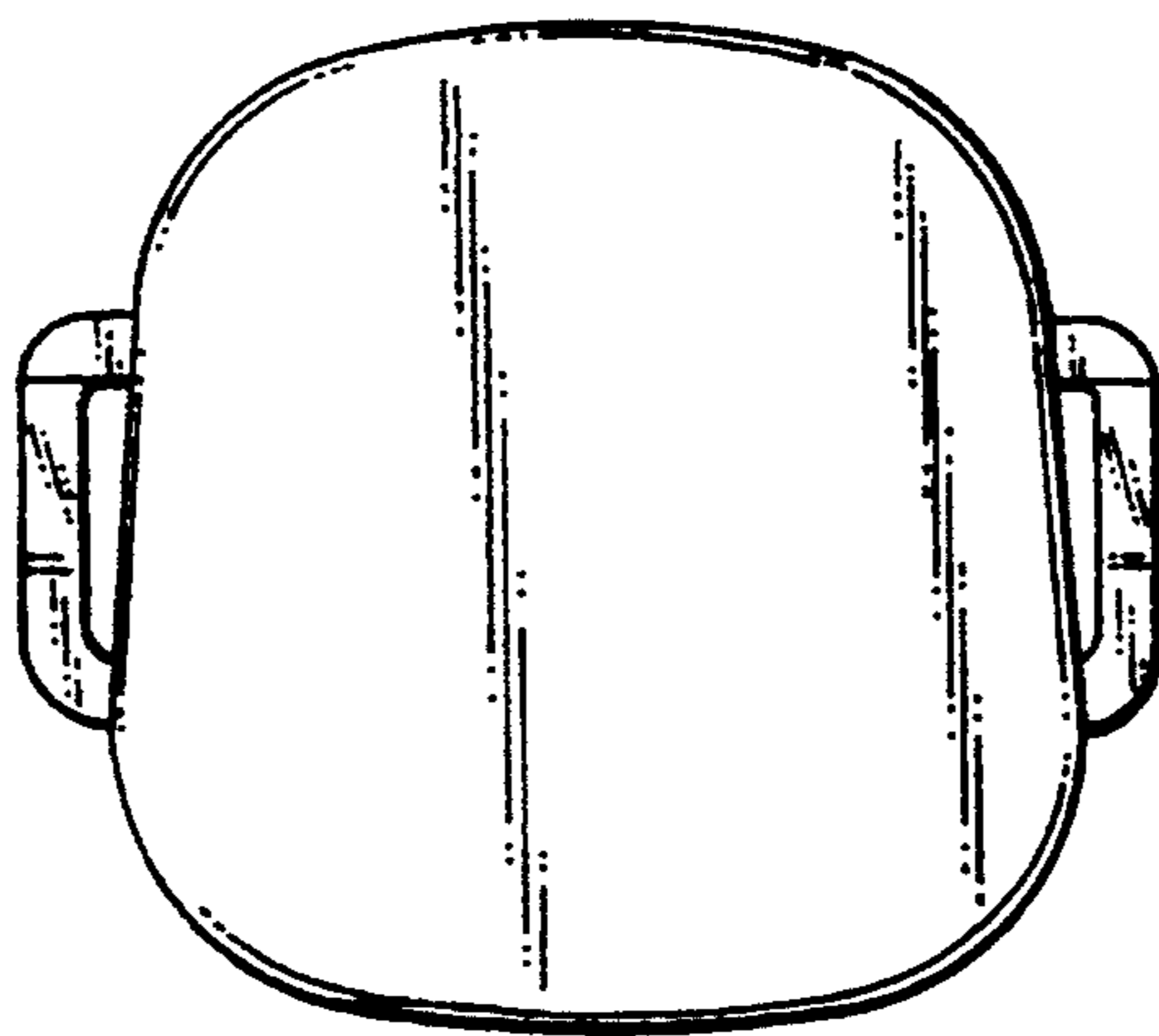


FIG. 6.