



US00D351217S

# United States Patent [19]

[11] Patent Number: **Des. 351,217**

Lu

[45] Date of Patent: **\*\* Oct. 4, 1994**

[54] FAUCET

[75] Inventor: **Wan-Pao Lu**, Taipei City, Taiwan

[73] Assignee: **Hocheng Pottery Mfg. Co., Ltd.**,  
Taipei City, Taiwan

[\*\*] Term: **14 Years**

[21] Appl. No.: **2,037**

[22] Filed: **Nov. 30, 1992**

[52] U.S. Cl. .... **D23/241**

[58] Field of Search ..... 137/606, 625.17, 801;  
D23/238-243, 675-678

[56] **References Cited**

**U.S. PATENT DOCUMENTS**

- D. 203,649 2/1966 Sundberg et al. .... D23/241
- D. 215,600 10/1969 Brubaker ..... D23/241

- D. 224,402 7/1972 Jenner ..... D23/241
- 4,313,469 2/1982 Johnson ..... 137/801

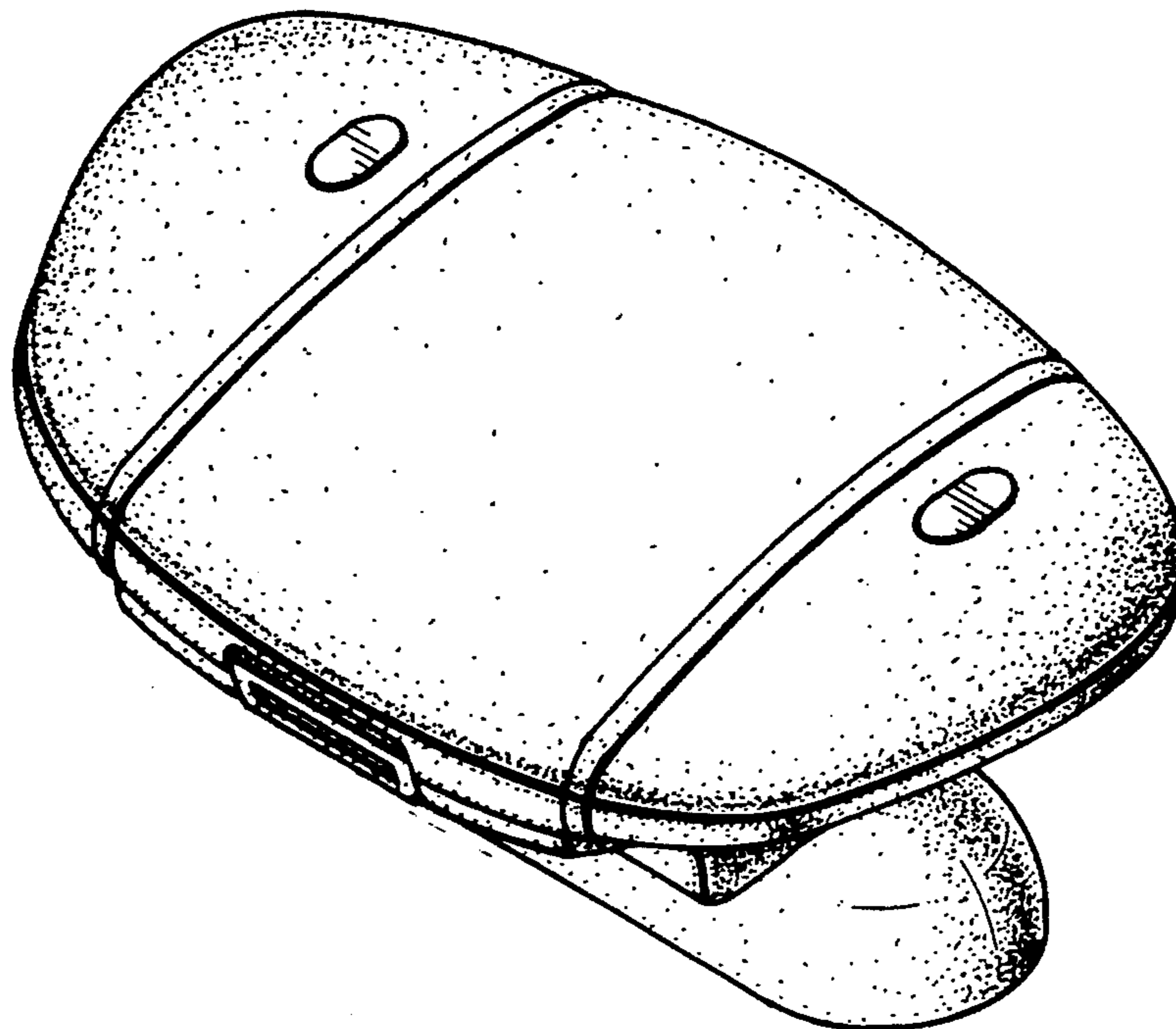
*Primary Examiner*—James R. Largen  
*Attorney, Agent, or Firm*—Morgan & Finnegan

[57] **CLAIM**

The ornamental design for faucet, as shown and described.

**DESCRIPTION**

- FIG. 1 is a front elevational view of a faucet showing my new design;
- FIG. 2 is a rear elevational view thereof;
- FIG. 3 is a left side elevational view thereof;
- FIG. 4 is a right side elevational view thereof;
- FIG. 5 is a top plan view thereof;
- FIG. 6 is a bottom plan view thereof; and,
- FIG. 7 is a perspective view thereof.



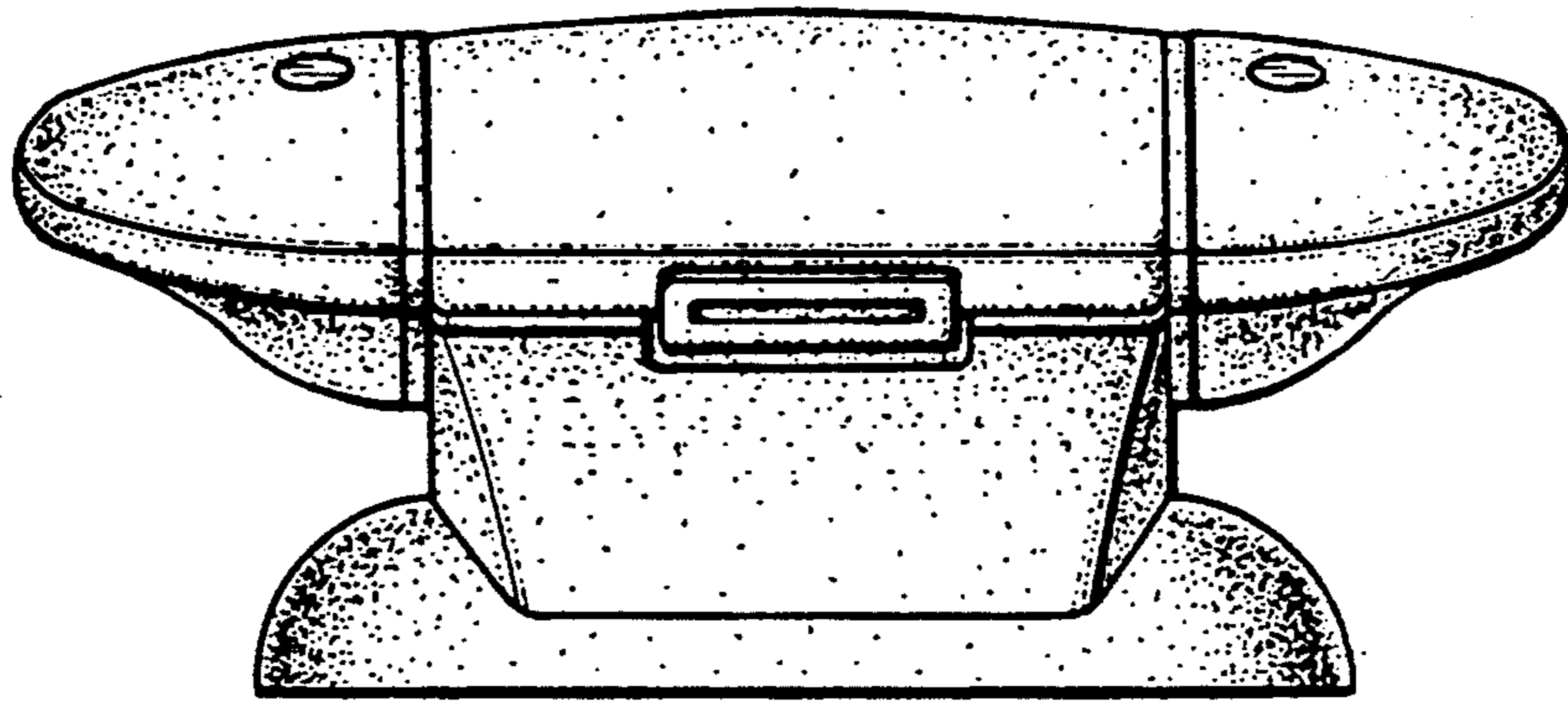


FIG. 1

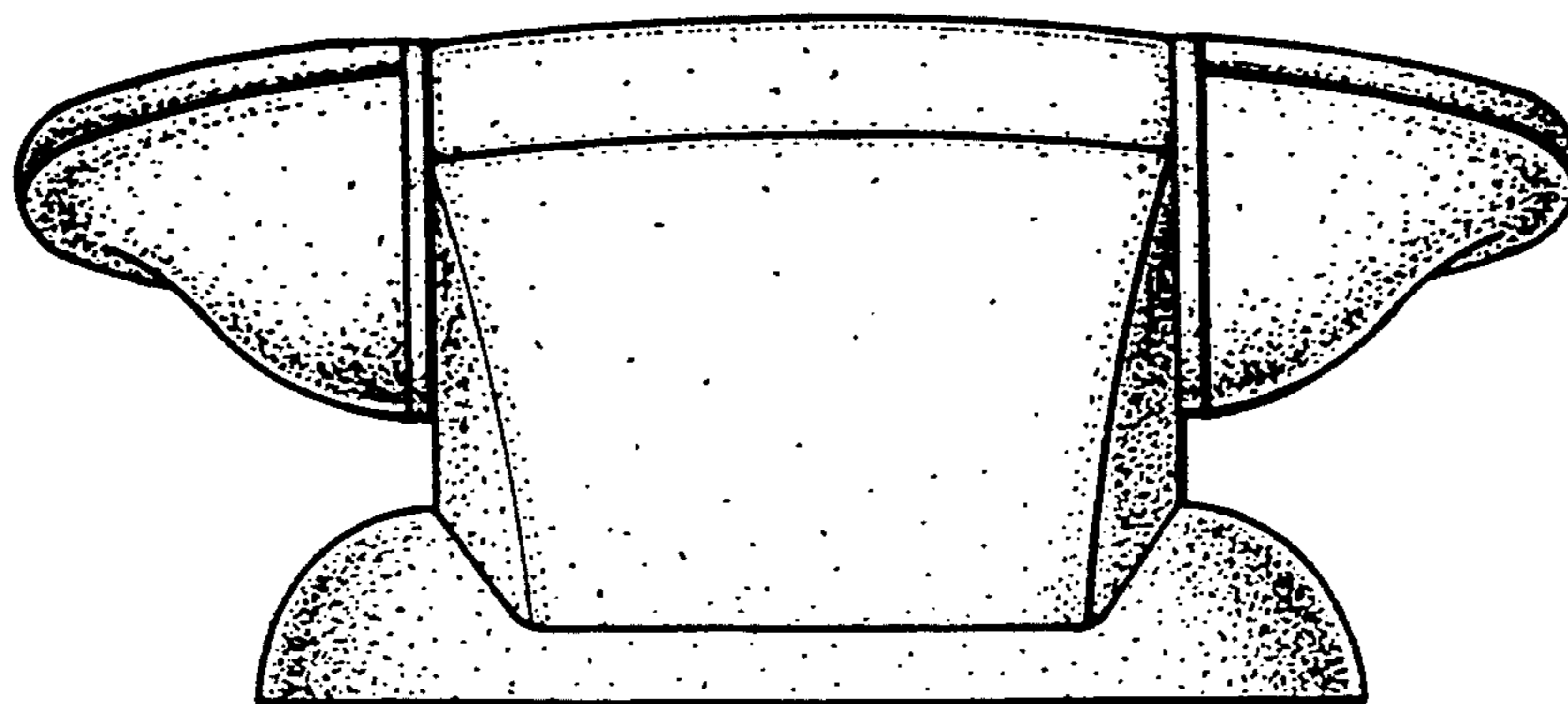


FIG. 2

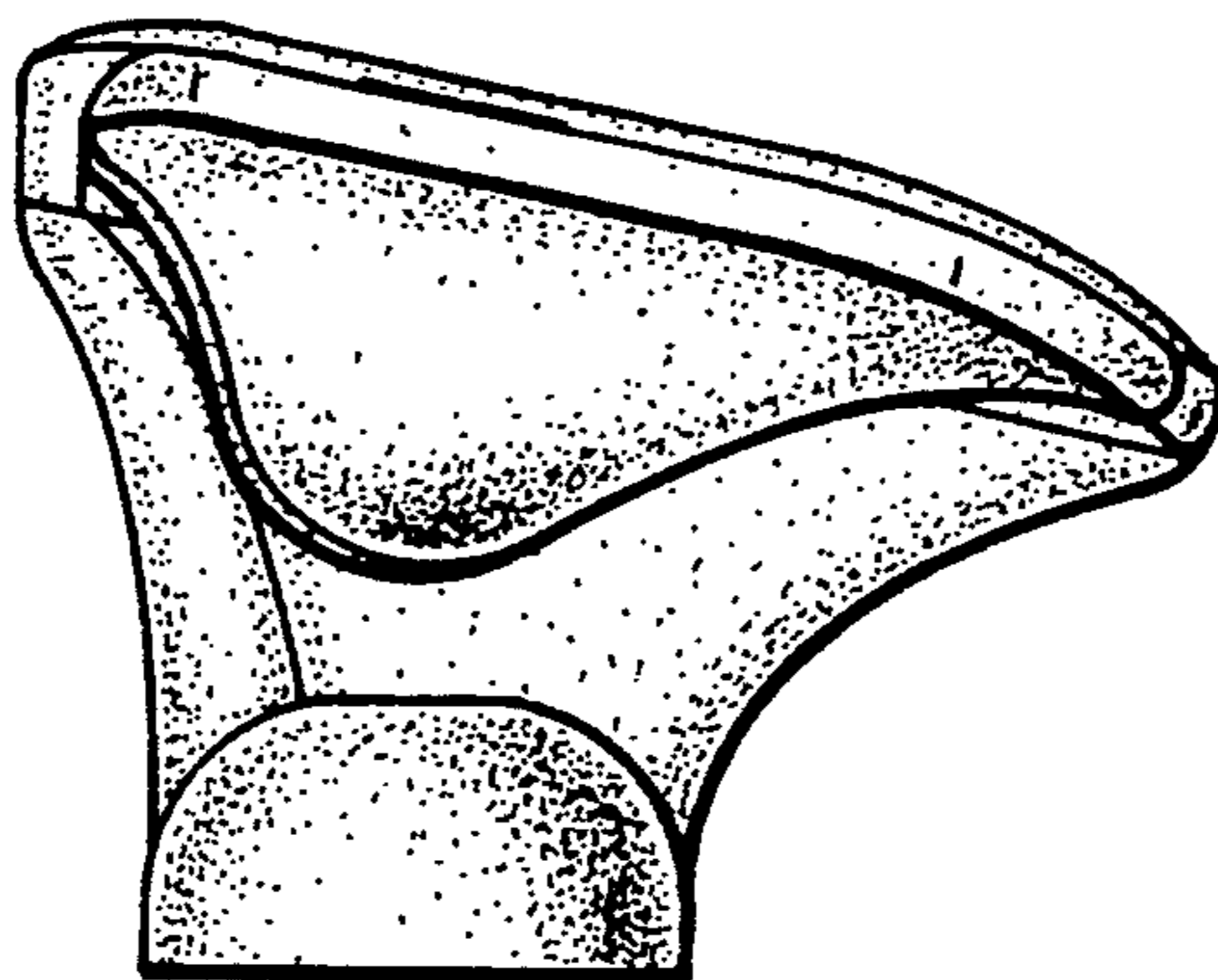


FIG. 3

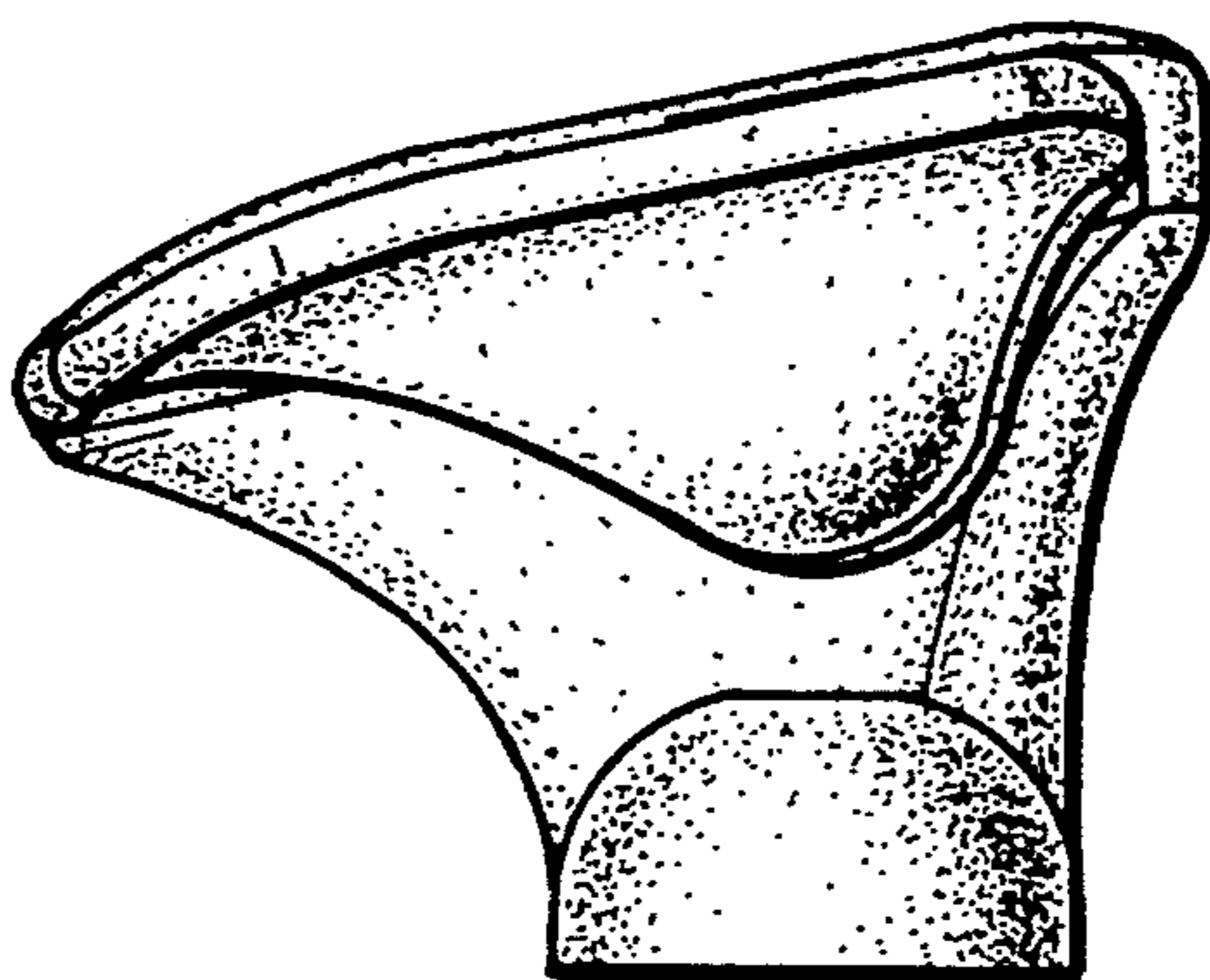


FIG. 4

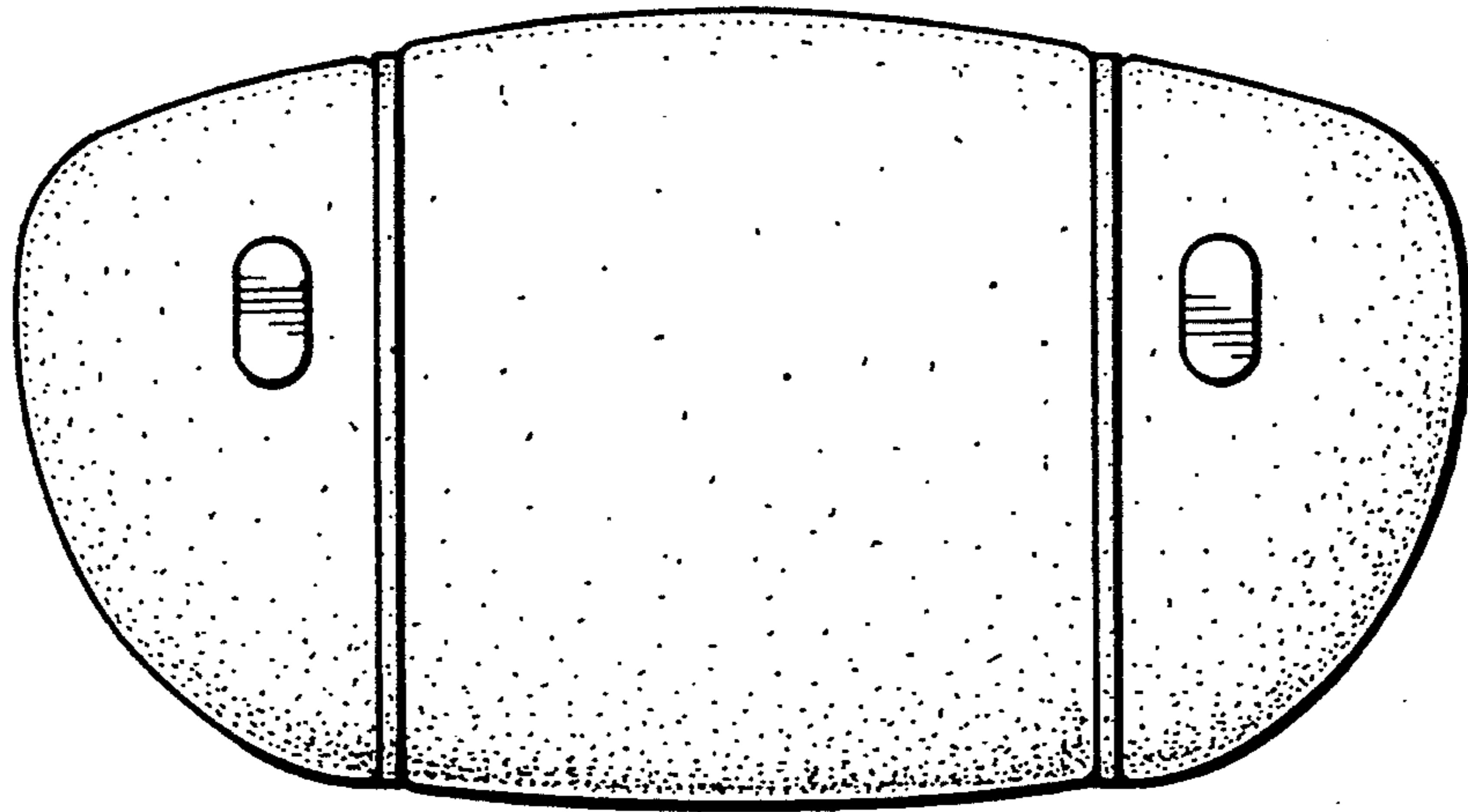


FIG. 5

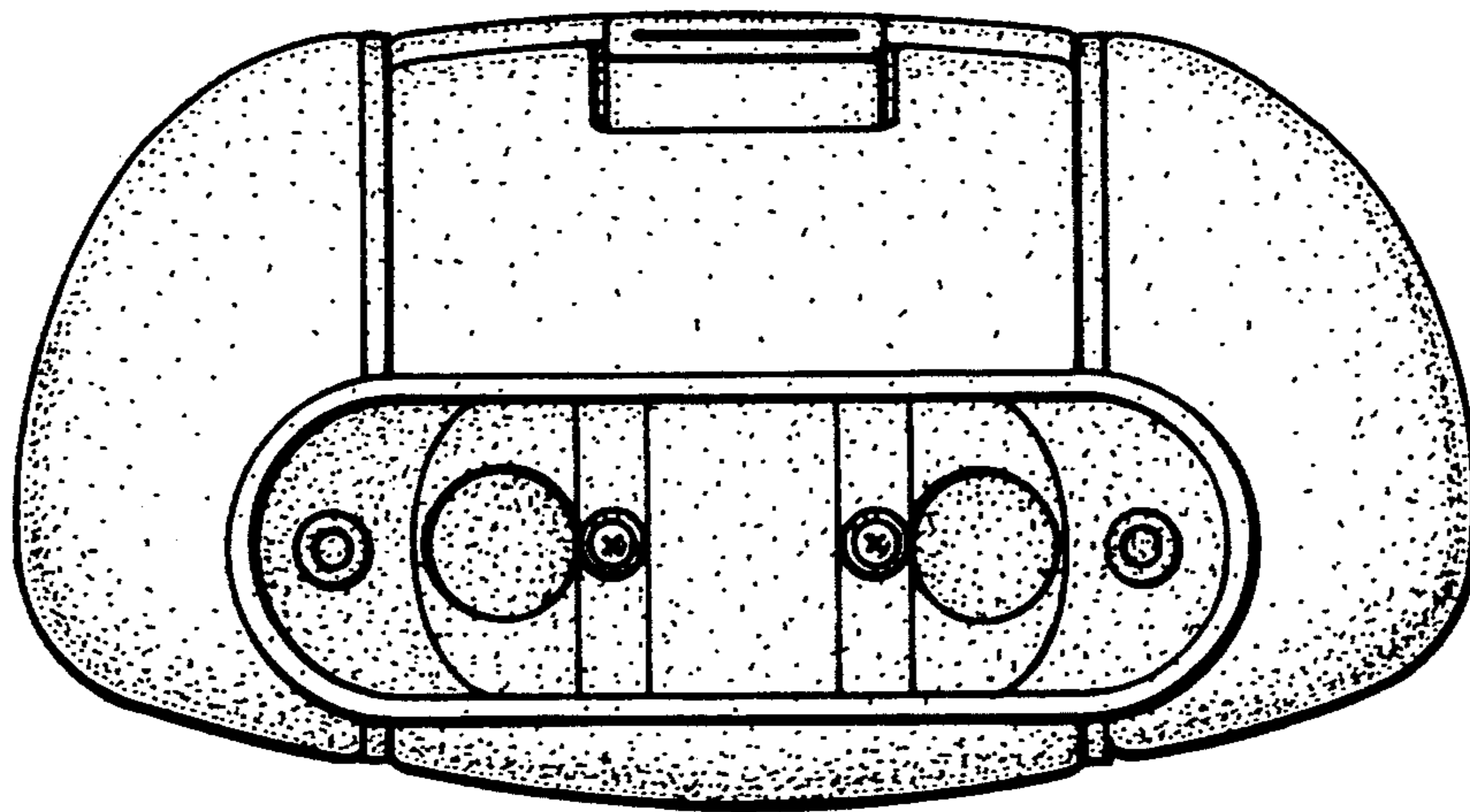


FIG. 6

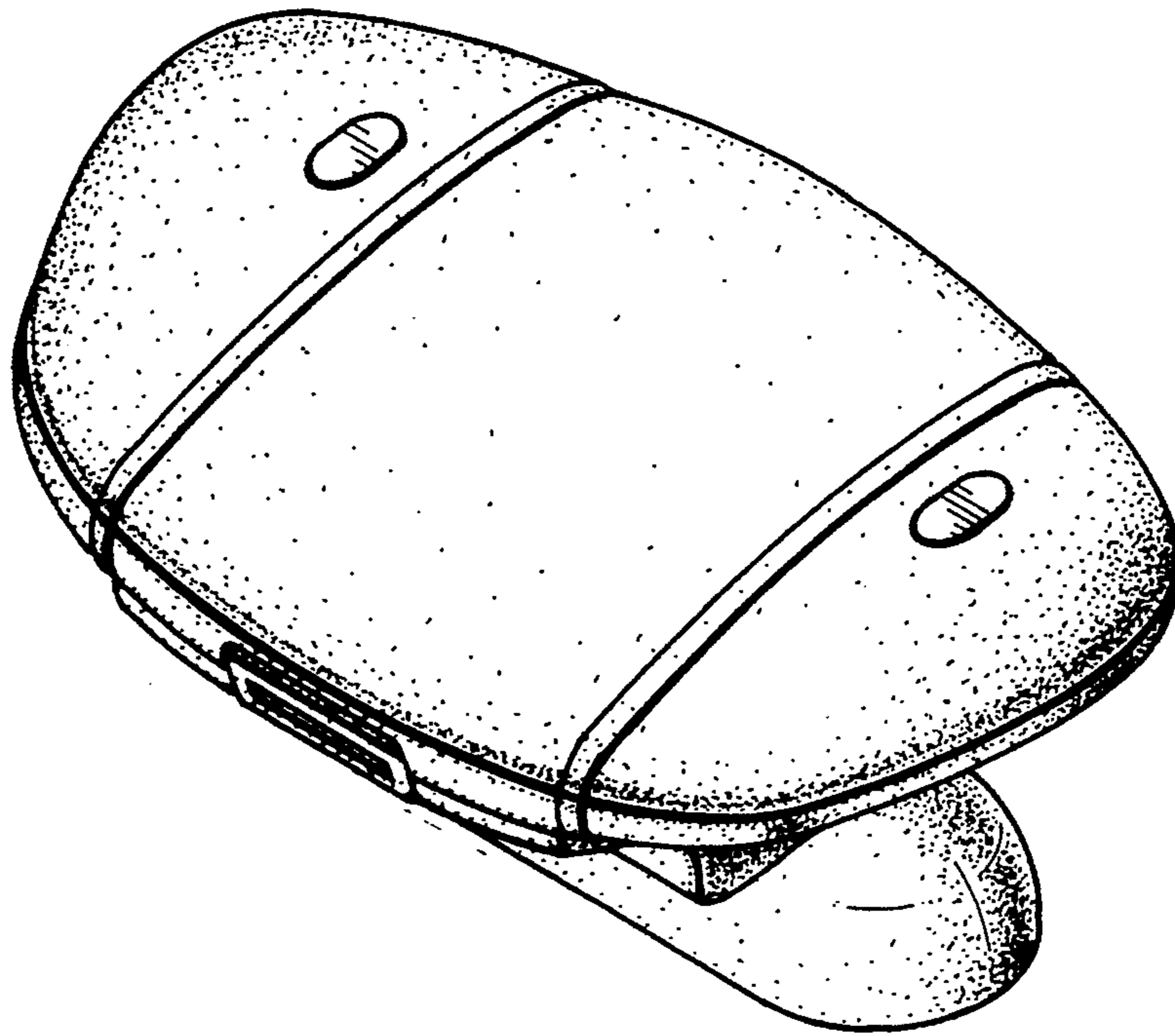


FIG. 7