



US00D351216S

# United States Patent [19]

[11] Patent Number: **Des. 351,216**

Millett

[45] Date of Patent: **\*\* Oct. 4, 1994**

[54] **RIGHT ANGLE VALVE END CONNECTION**

*Primary Examiner*—A. Hugo Word  
*Assistant Examiner*—Eric Watterson  
*Attorney, Agent, or Firm*—G. Donald Weber, Jr.

[75] Inventor: **James A. Millett**, Ramona, Calif.

[73] Assignee: **R. C. Products Corp.**, Rancho Santa Margarita, Calif.

[57] **CLAIM**

The ornamental design for a right angle valve end connection, as shown and described.

[\*\*] Term: **14 Years**

**DESCRIPTION**

[21] Appl. No.: **819,943**

FIG. 1 is a perspective view of the right angle valve end connection of the instant invention;  
FIG. 2 is a top, plan view of the right angle valve end connection of the instant invention;  
FIG. 3 is a bottom, plan view of the right angle valve end connection of the instant invention;  
FIG. 4 is one side, elevational view of the right angle valve end connection of the instant invention. The opposite side, elevational view is the same;  
FIG. 5 is one end, elevational view of the right angle valve end connection of the instant invention; and,  
FIG. 6 is the opposite end, elevational view of the right angle valve end connection of the instant invention.

[22] Filed: **Jan. 13, 1992**

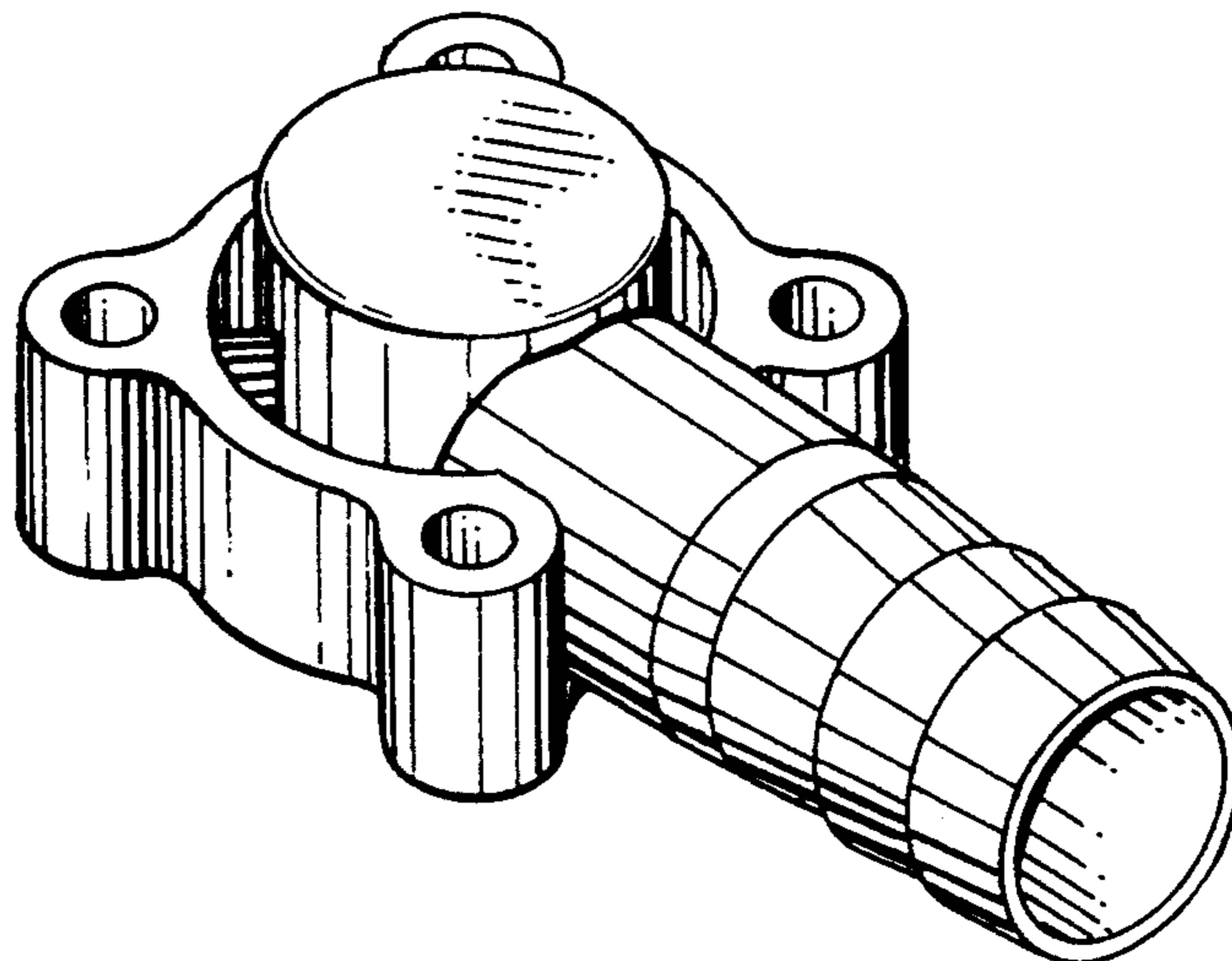
[52] U.S. Cl. .... **D23/233**

[58] Field of Search ..... 137/270, 271, 315;  
251/148, 143, 151, 152, 315 R; D23/233, 234

[56] **References Cited**

**U.S. PATENT DOCUMENTS**

902,686	11/1908	Reece .....	251/143
1,109,441	9/1914	McGowan .....	137/270
1,856,821	5/1932	Sole .....	251/148
3,314,641	4/1967	Overbaugh .....	251/148



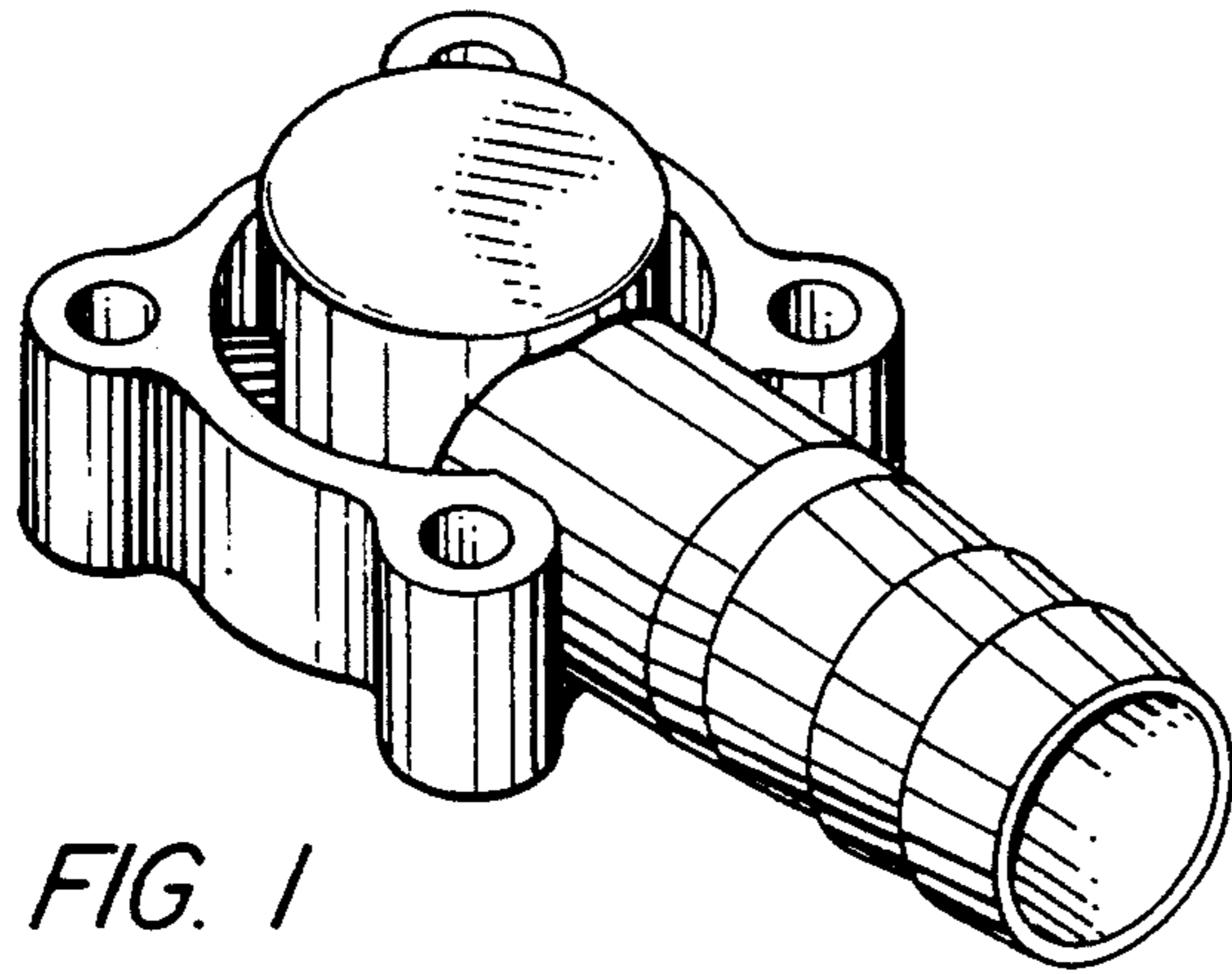


FIG. 1

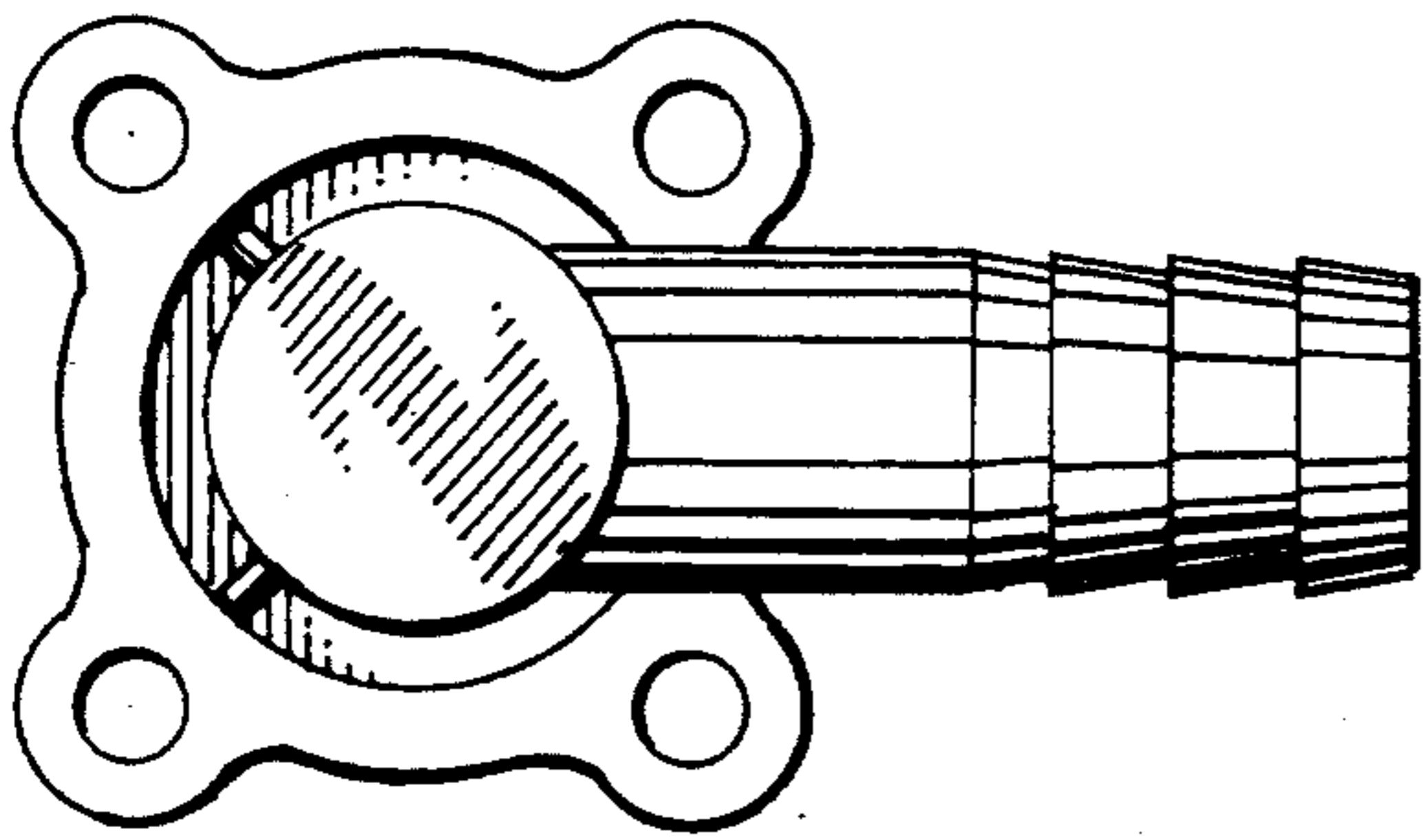


FIG. 2

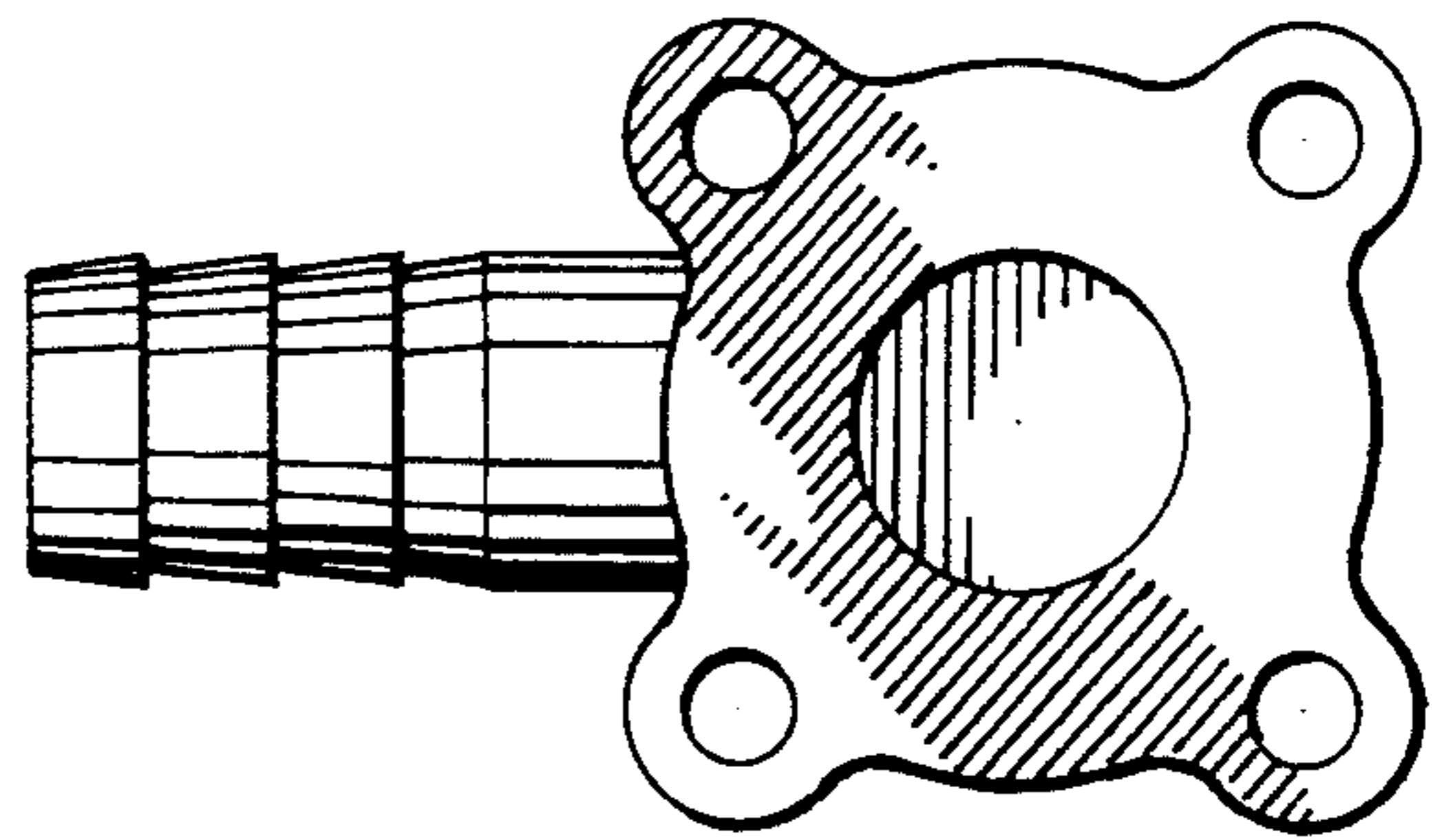


FIG. 3

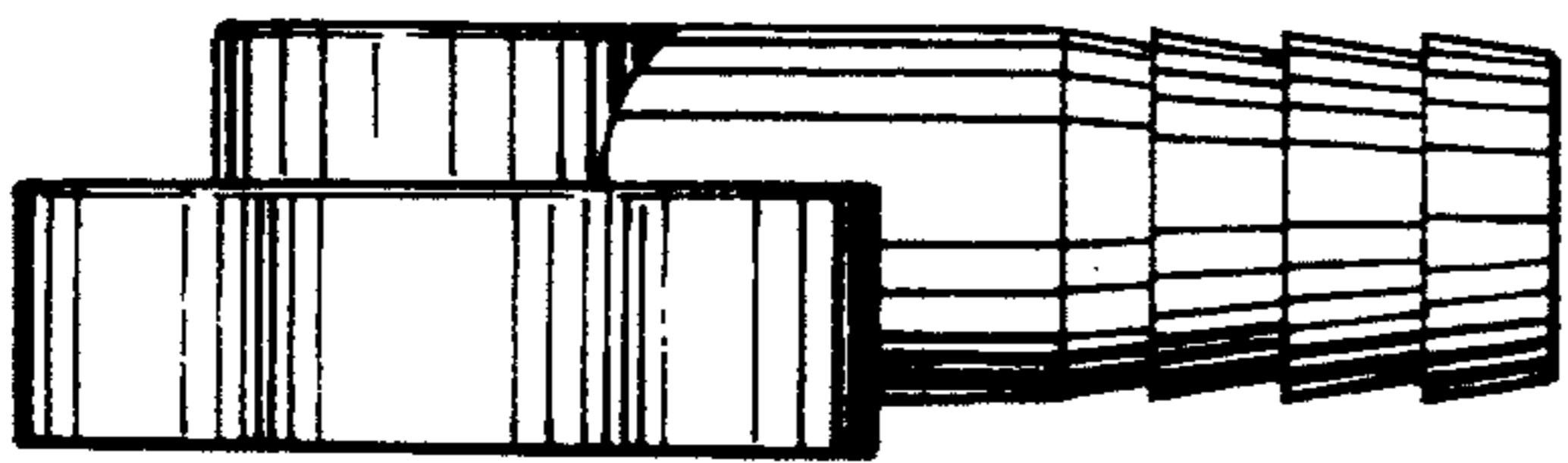


FIG. 4

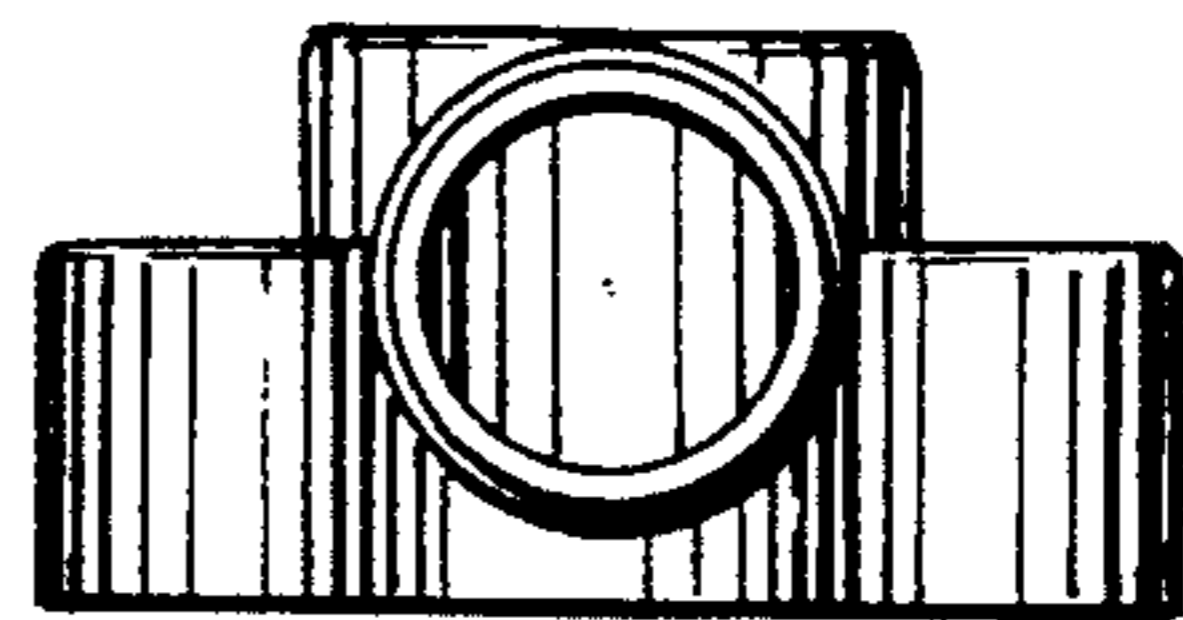


FIG. 5



FIG. 6