



US00D351215S

United States Patent [19]

[11] Patent Number: **Des. 351,215**

Camara

[45] Date of Patent: **** Oct. 4, 1994**

[54] **COMBINED MIXING AND DISPENSING UNIT FOR GRASS FERTILIZER**

3,194,444	7/1965	Hubert	239/317
3,386,808	6/1968	Handeland	239/310
3,833,177	9/1974	Pasley et al.	239/310

[76] Inventor: **Jose A. Camara**, 17 Valewood Drive, Caledon East, Ontario, Canada, L0N,1E0

Primary Examiner—Wallace R. Burke
Assistant Examiner—Robin V. Taylor
Attorney, Agent, or Firm—Hugh E. Smith

[**] Term: **14 Years**

[57] **CLAIM**

[21] Appl. No.: **977**

The ornamental design for a combined mixing and dispensing unit for grass fertilizer, as shown and described.

[22] Filed: **Oct. 30, 1992**

[52] U.S. Cl. **D23/225**

DESCRIPTION

[58] Field of Search 239/310, 317; D23/213-229

FIG. 1 is a front elevational view of the a combined mixing and dispensing unit for grass fertilizer showing my new design;

[56] **References Cited**

U.S. PATENT DOCUMENTS

D. 281,899	12/1985	Gunzel et al.	D23/225
1,769,428	7/1930	Gatchet	239/317
2,789,010	4/1957	Dean	239/310

FIG. 2 is a rear elevational view thereof;

FIG. 3 is a left side elevational view thereof;

FIG. 4 is a right side elevational view thereof;

FIG. 5 is a top plan view thereof; and,

FIG. 6 is a bottom plan view thereof.

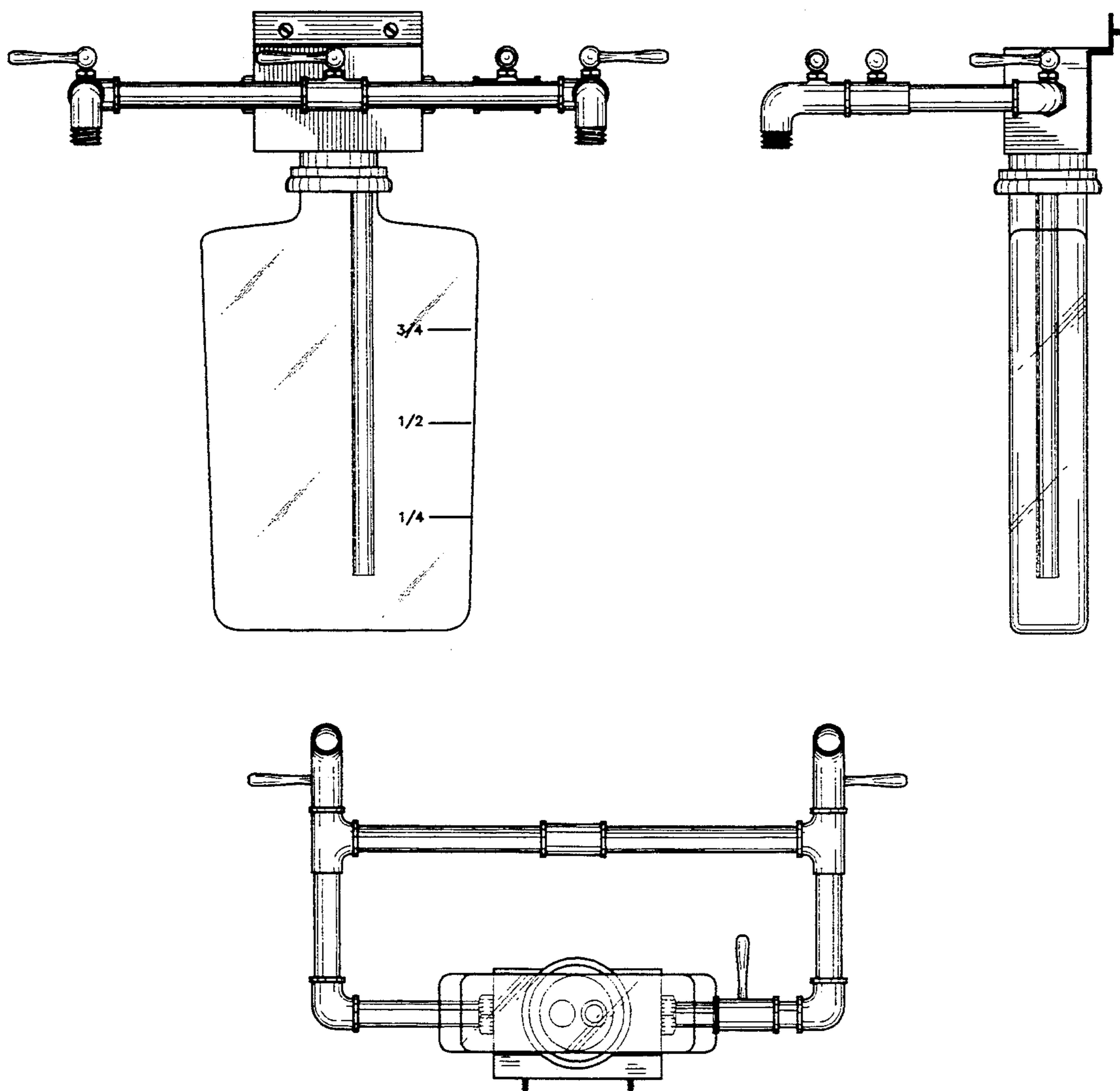


FIG. 1

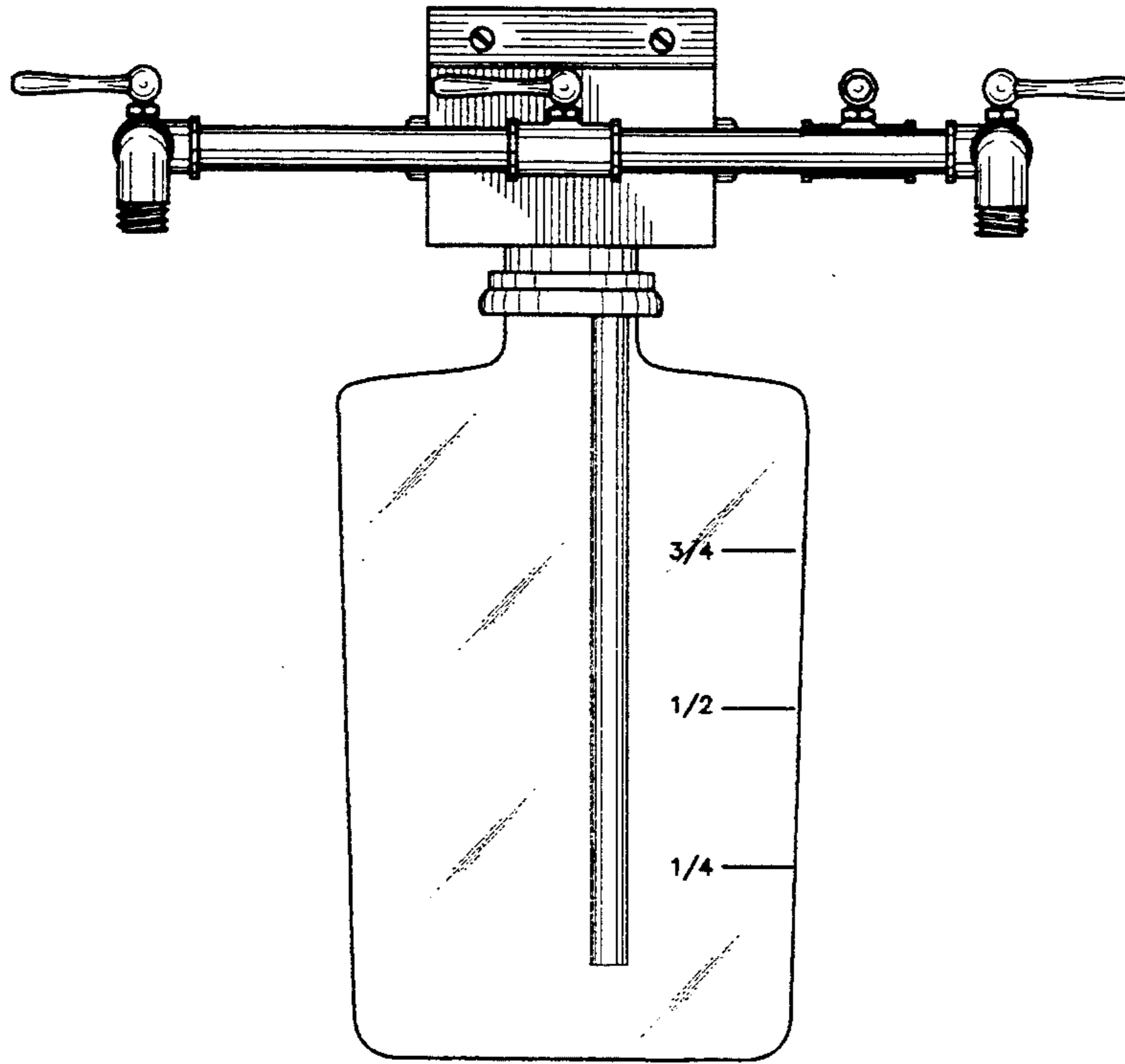


FIG. 2

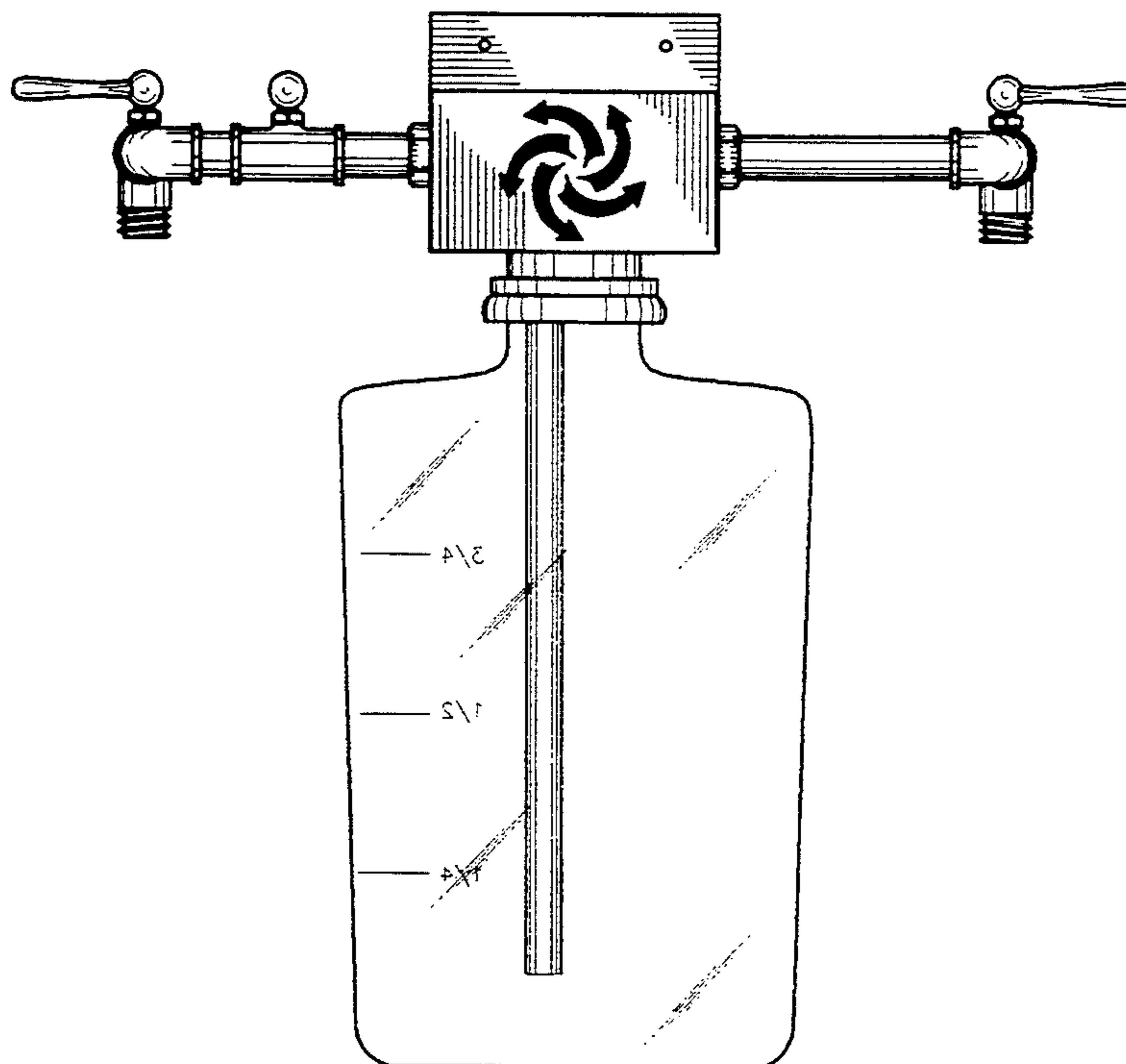


FIG. 3

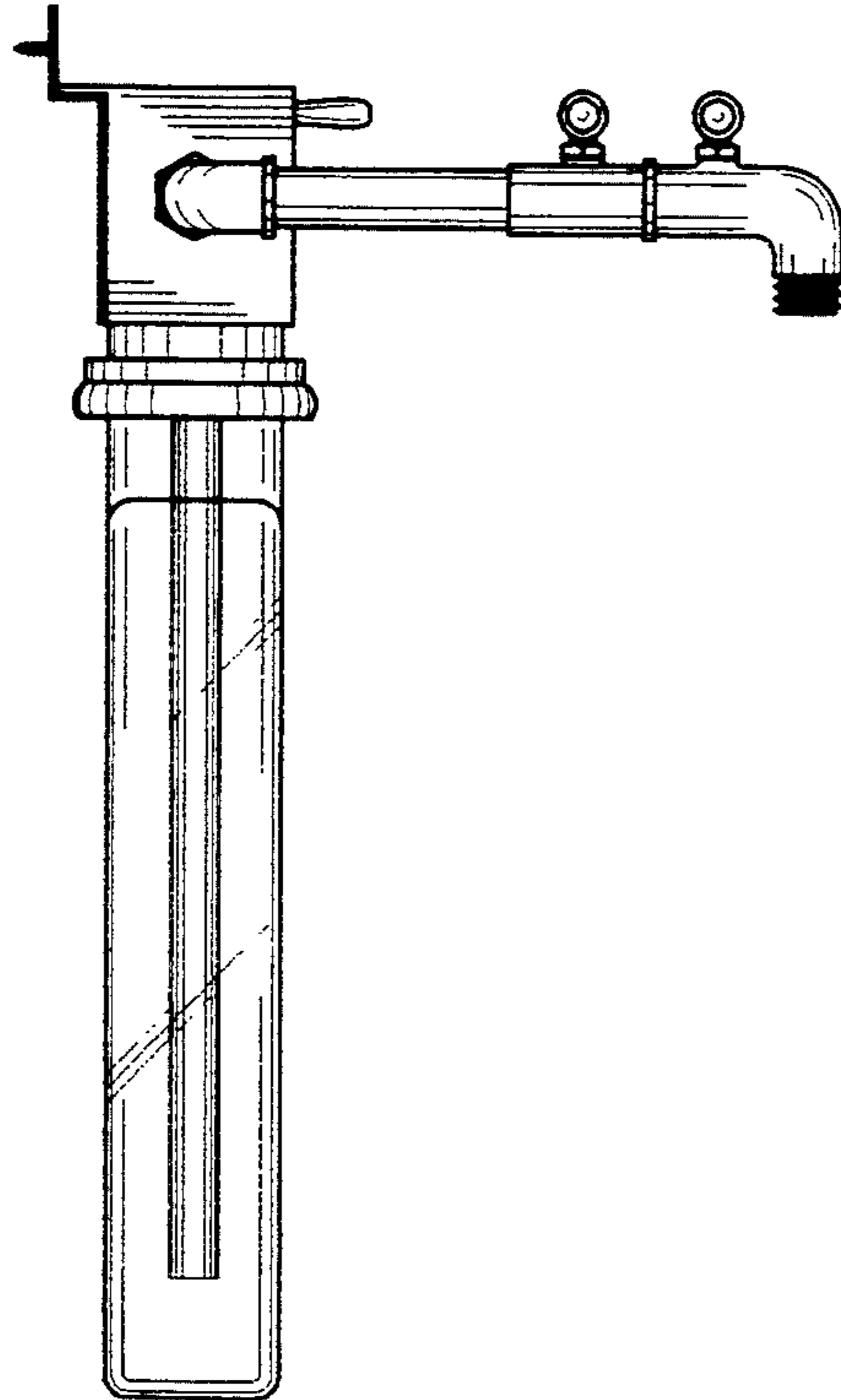


FIG. 4

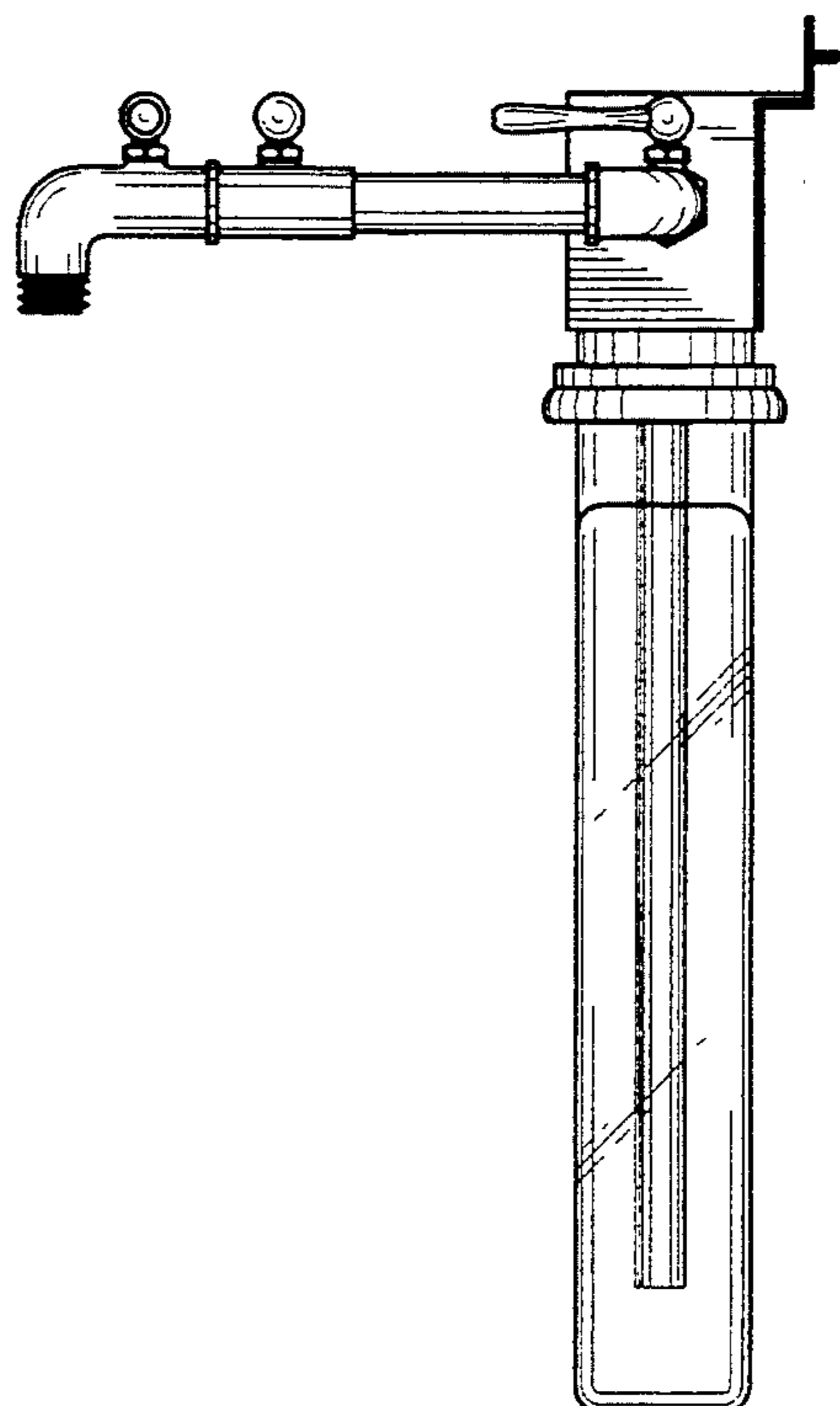


FIG. 5

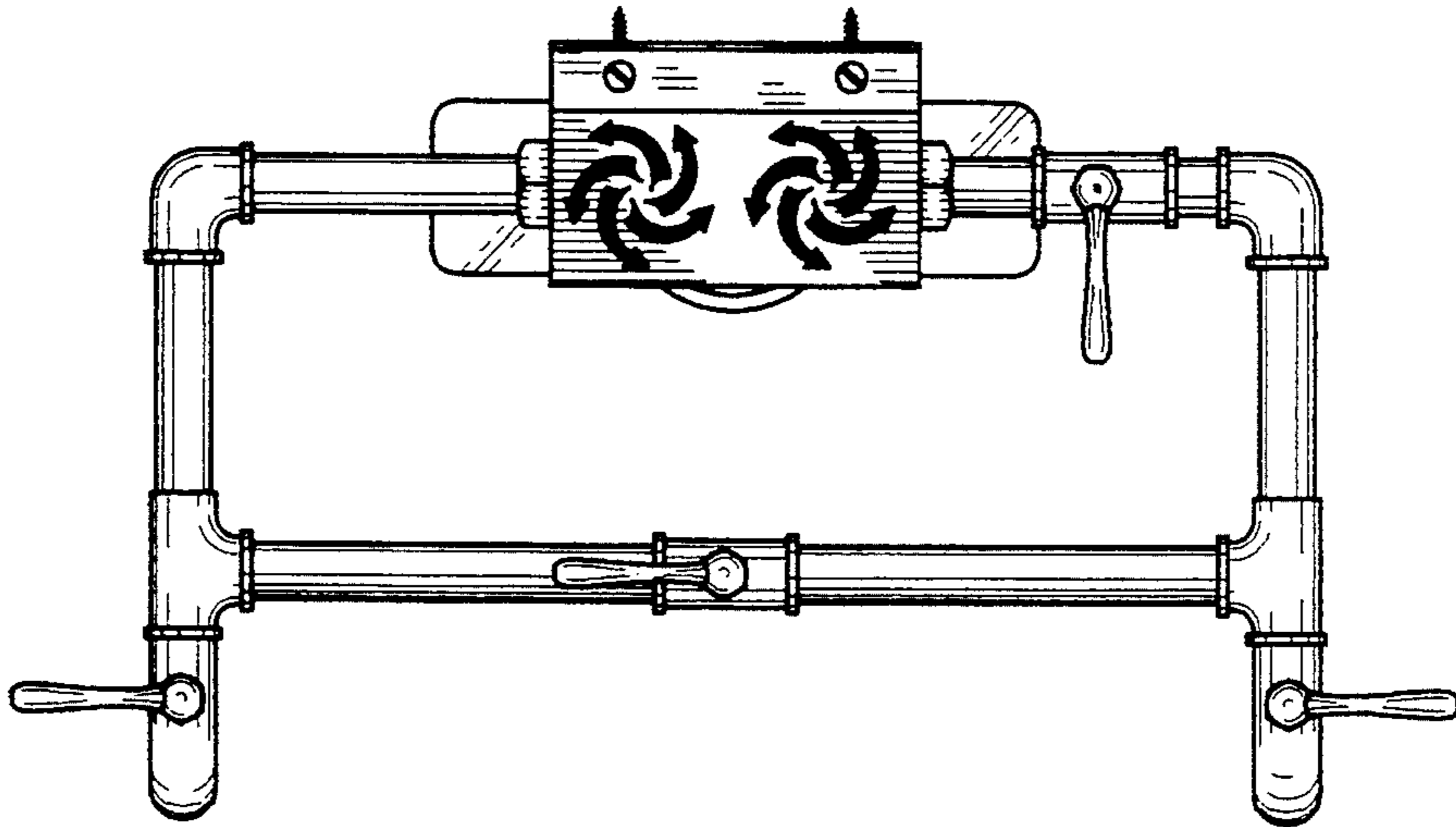


FIG. 6

