



US00D351212S

United States Patent [19]
Warshawsky

[11] **Patent Number: Des. 351,212**

[45] **Date of Patent: ** Oct. 4, 1994**

[54] **FITTING FOR A SHOWER HEAD**

[56] **References Cited**

[75] **Inventor: Jerome Warshawsky, Hewlett Harbor, N.Y.**

D. 261,417 10/1981 Hose D23/229
D. 268,205 3/1983 Smith D23/229
D. 314,608 2/1991 Presman D23/213

[73] **Assignee: I. W. Industries, Inc., Melville, N.Y.**

Primary Examiner—Wallace R. Burke
Assistant Examiner—Robin V. Taylor
Attorney, Agent, or Firm—Alfred M. Walker

[**] **Term: 14 Years**

[57] **CLAIM**

The ornamental design for a fitting for a shower head, as shown and described.

[21] **Appl. No.: 1,998**

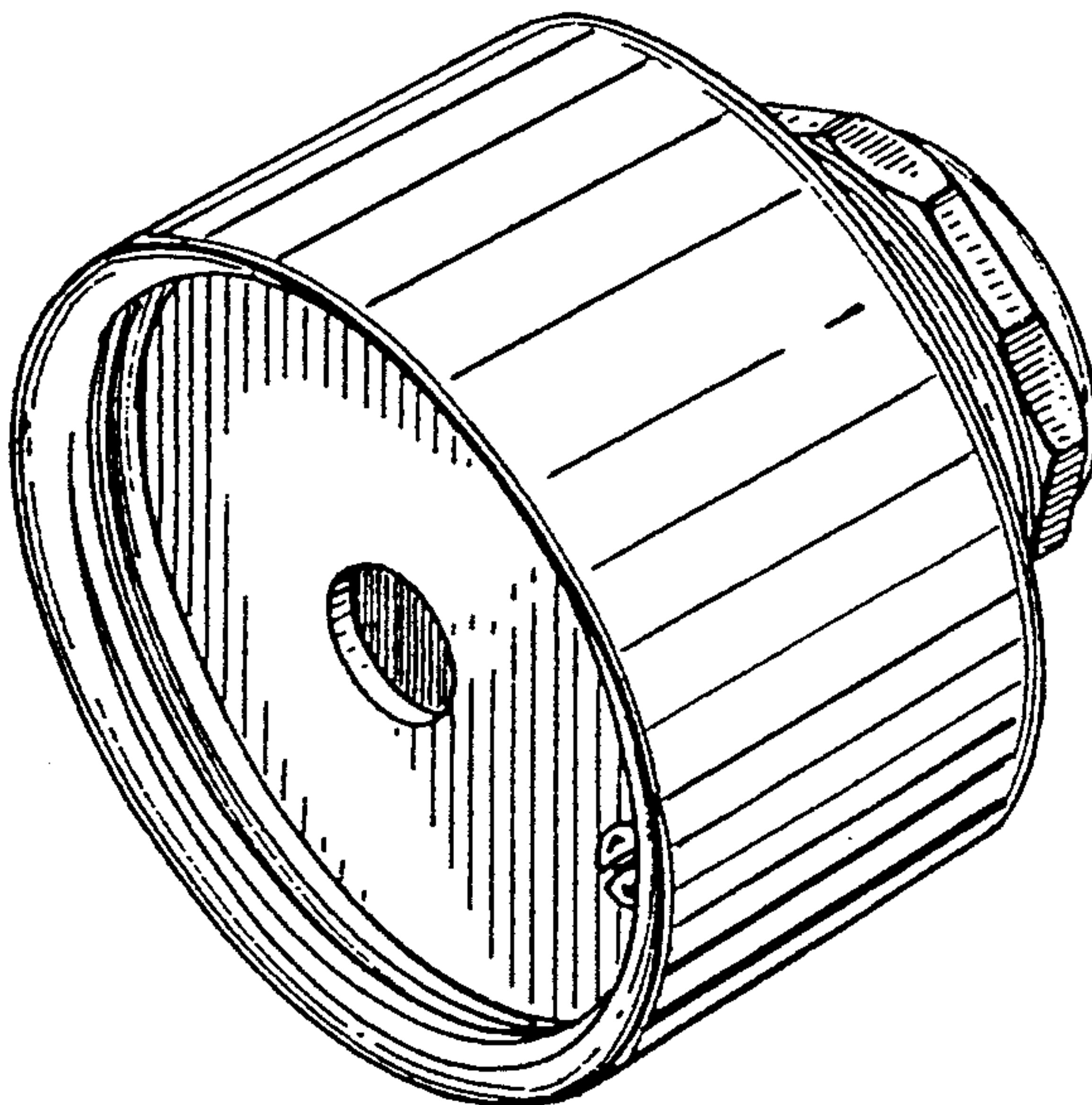
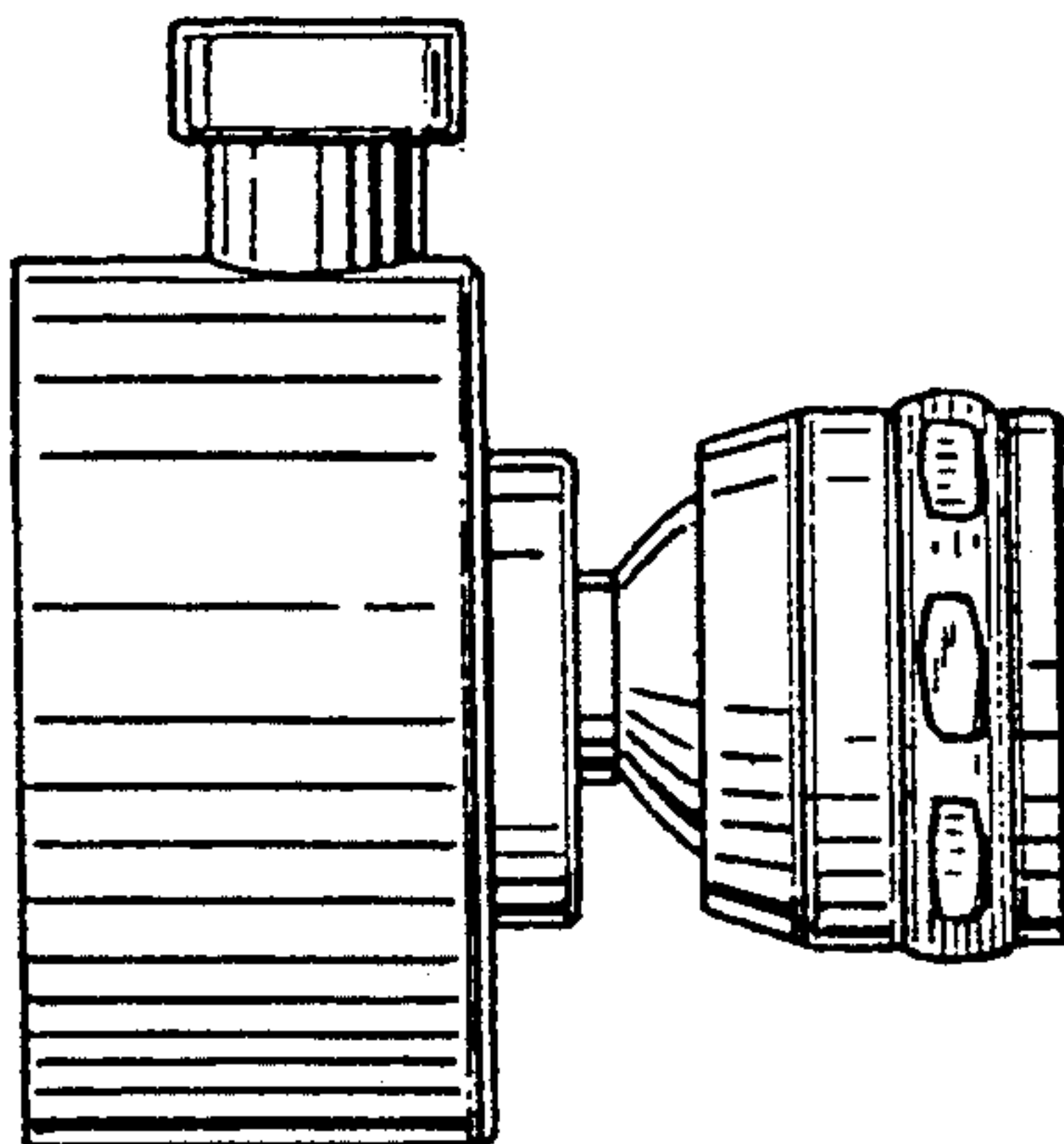
DESCRIPTION

[22] **Filed: Nov. 27, 1992**

[52] **U.S. Cl. D23/213**

[58] **Field of Search** 239/276, 280-283,
239/288.5, 310, 443-449, 456-460, 525,
556-559, 562-565, 567, 581.1; D23/213,
223-229

FIG. 1 is a front elevational view of an fitting for a shower head, showing my new design;
FIG. 2 is a rear elevational view thereof;
FIG. 3 is a right side elevational view thereof;
FIG. 4 is a bottom view thereof;
FIG. 5 is a left side view thereof, and,
FIG. 6 is a perspective view as seen from the front.



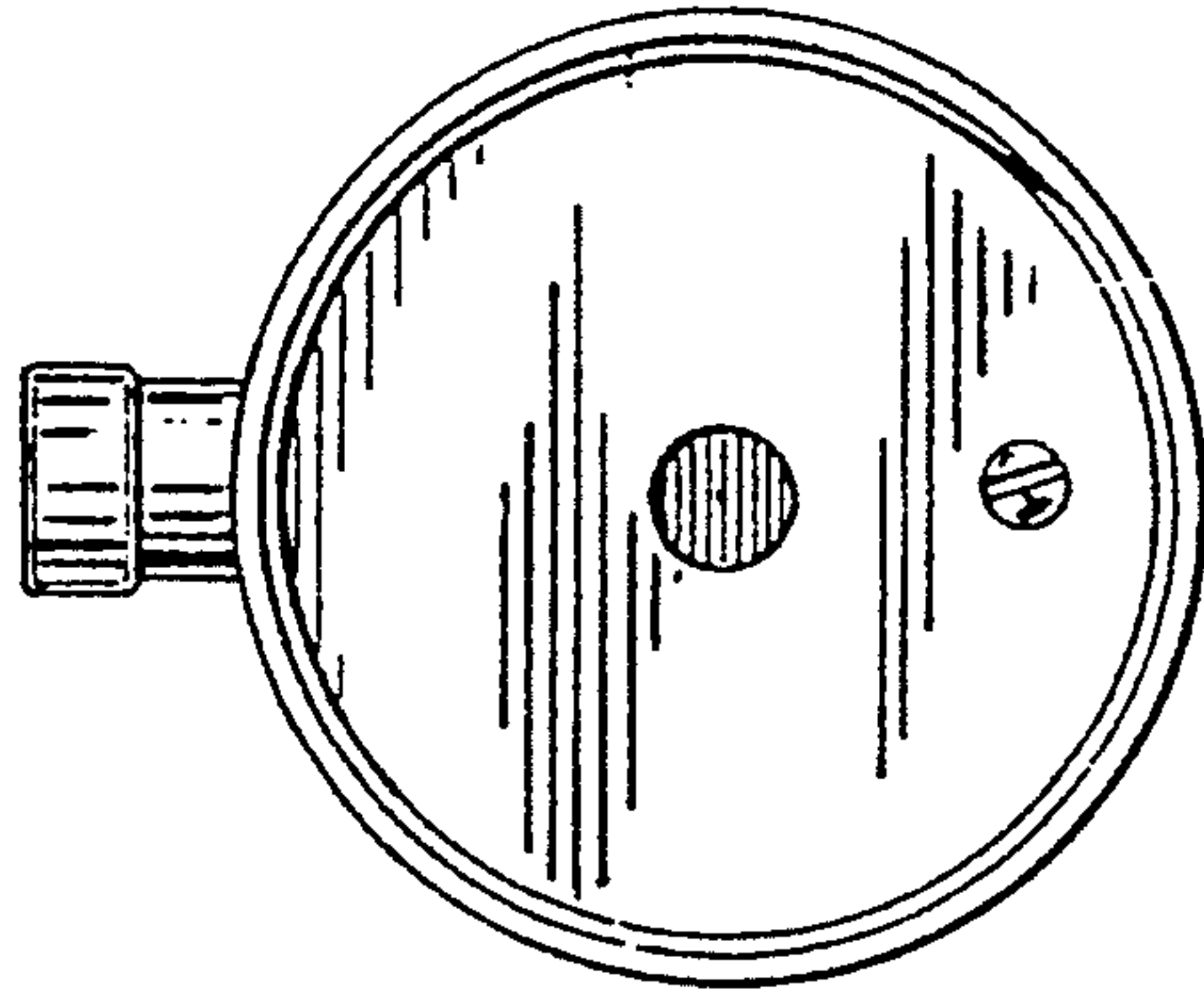


FIG. 1

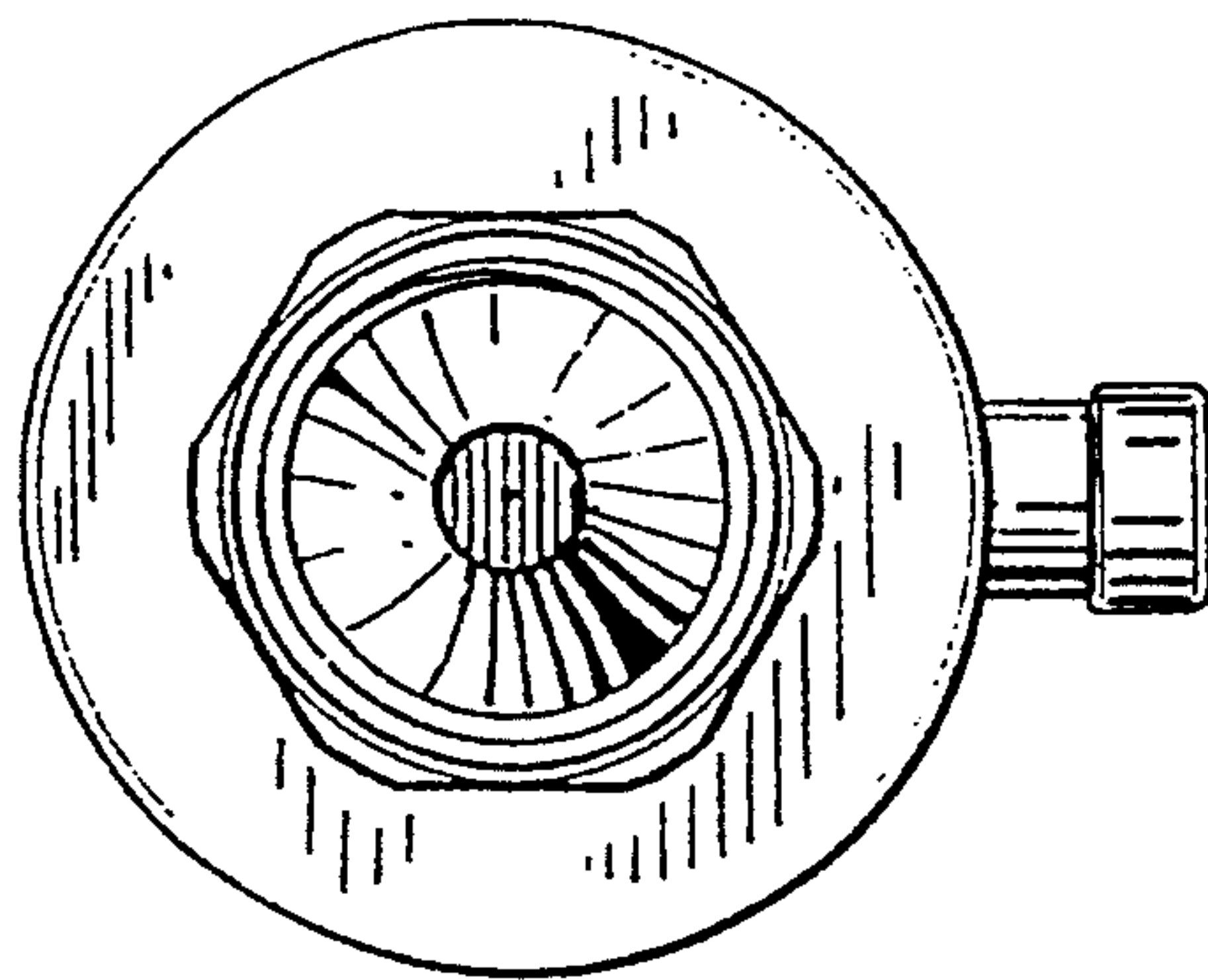


FIG. 2

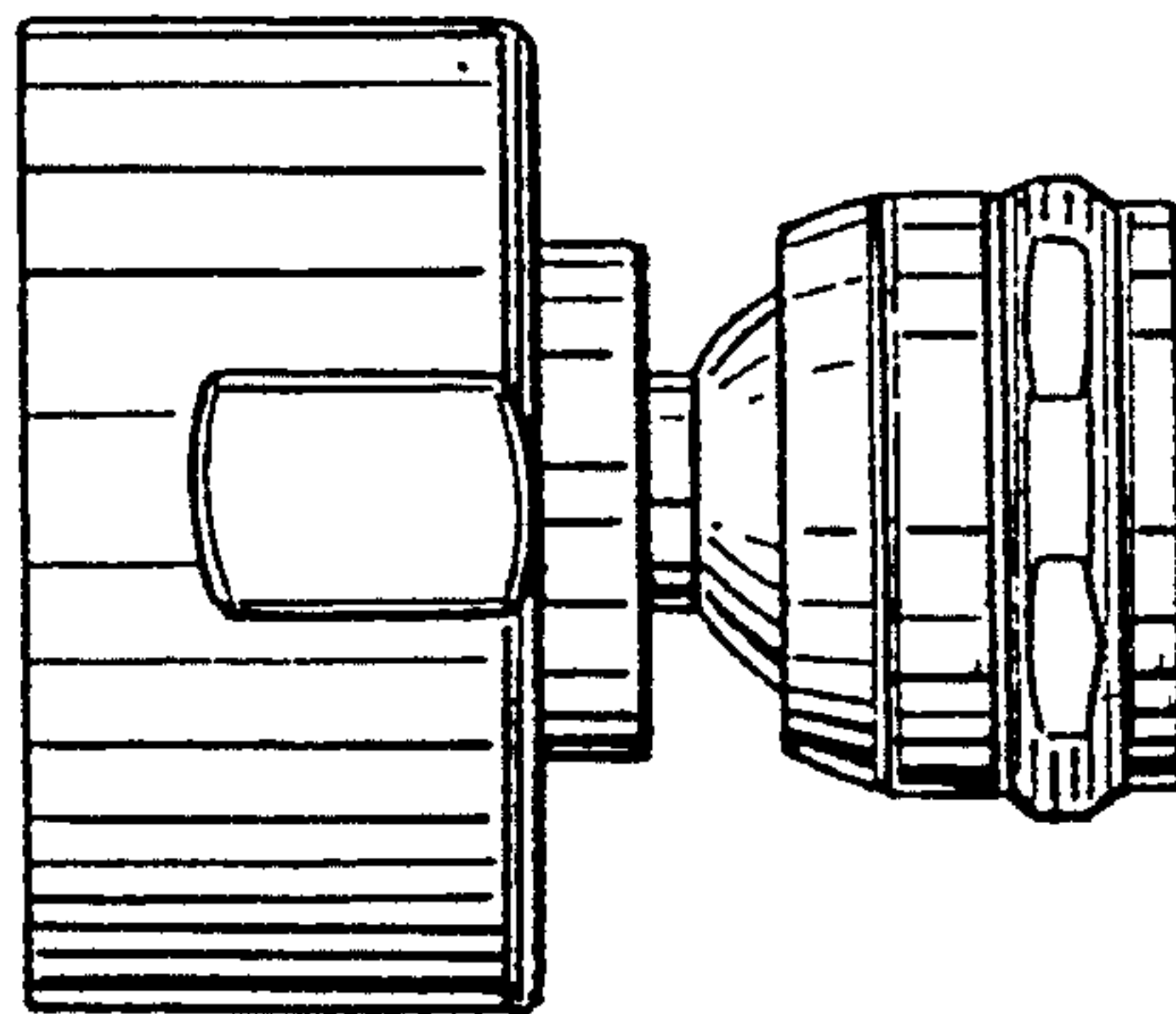


FIG. 3

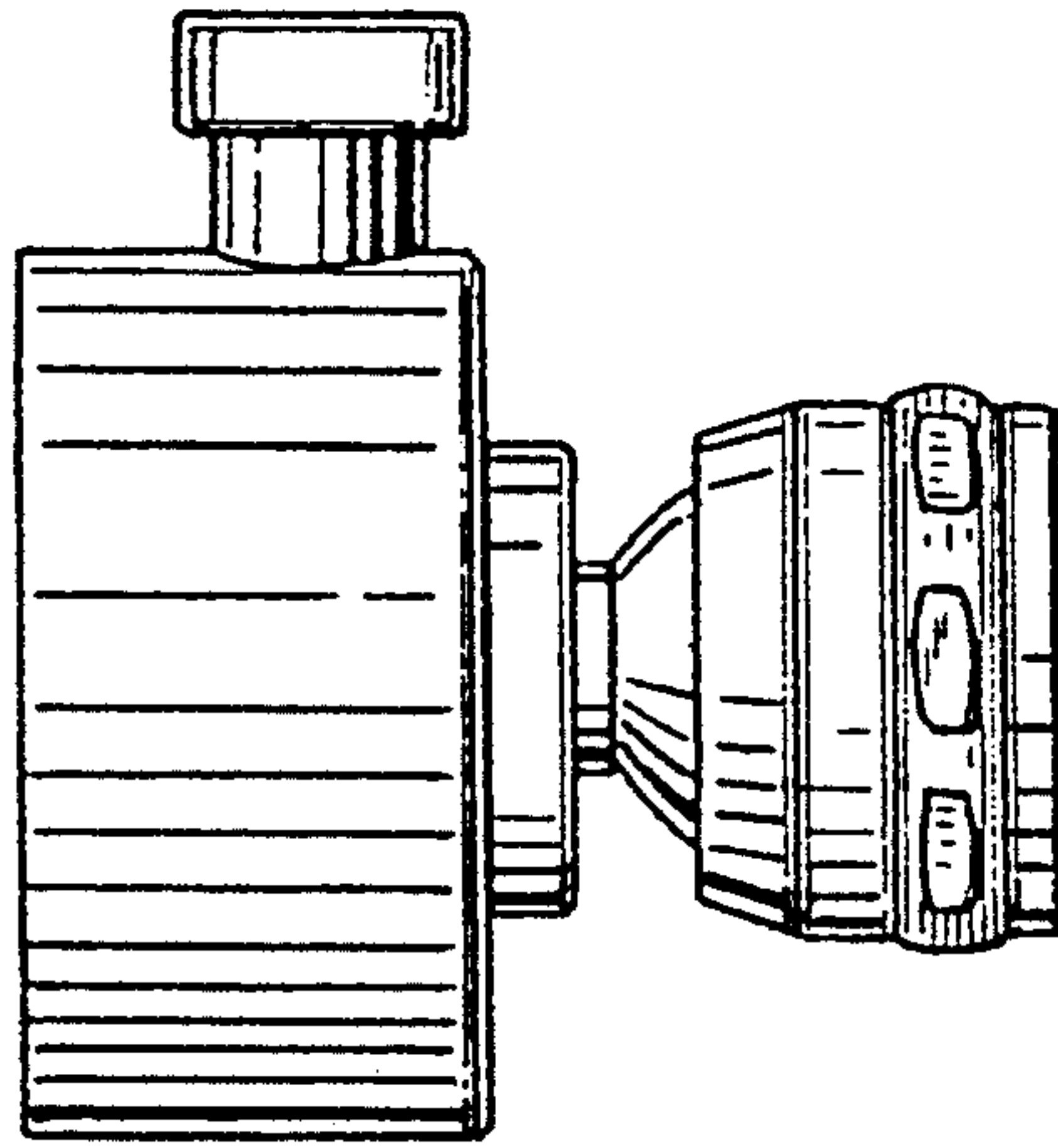


FIG. 4

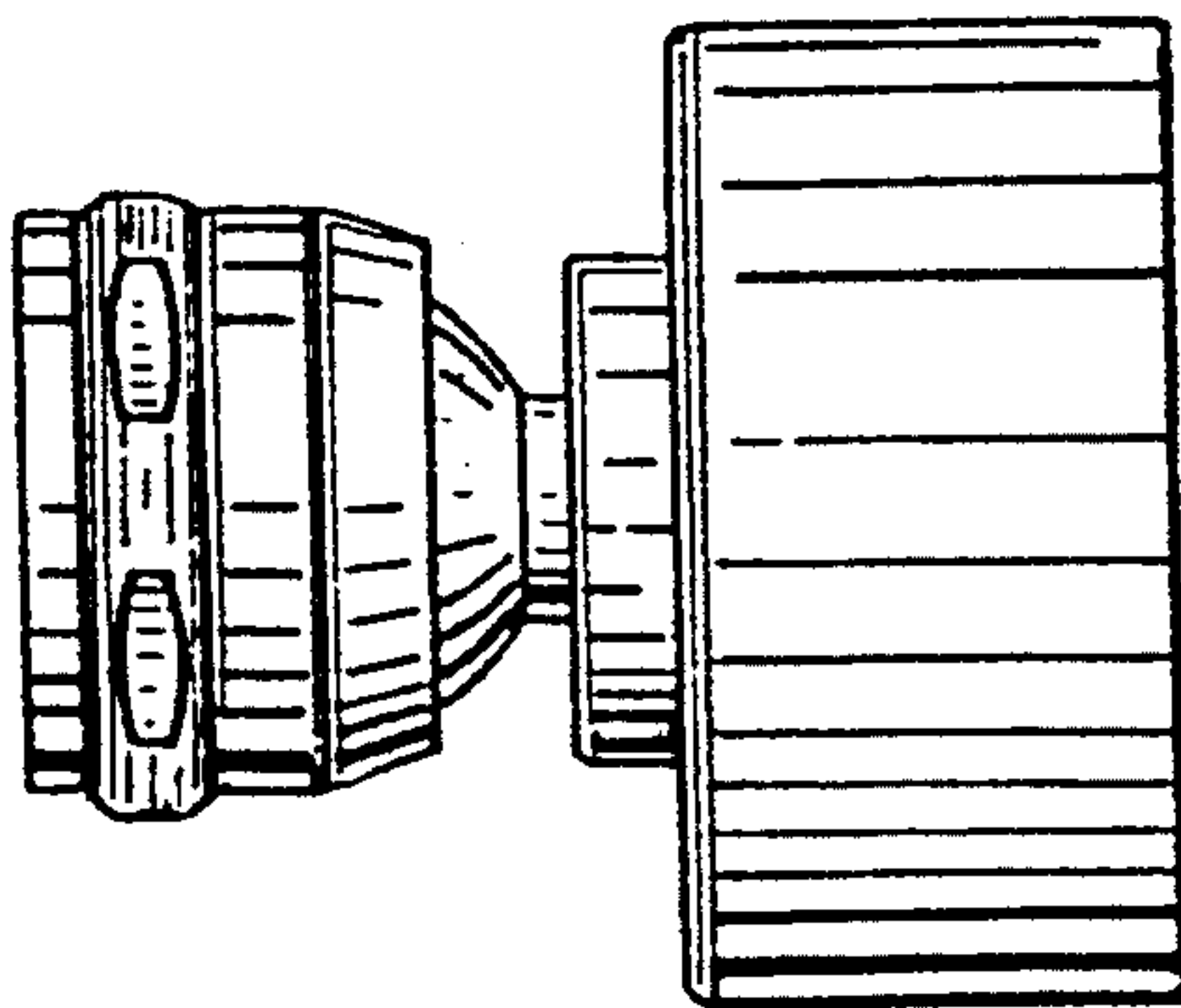


FIG. 5

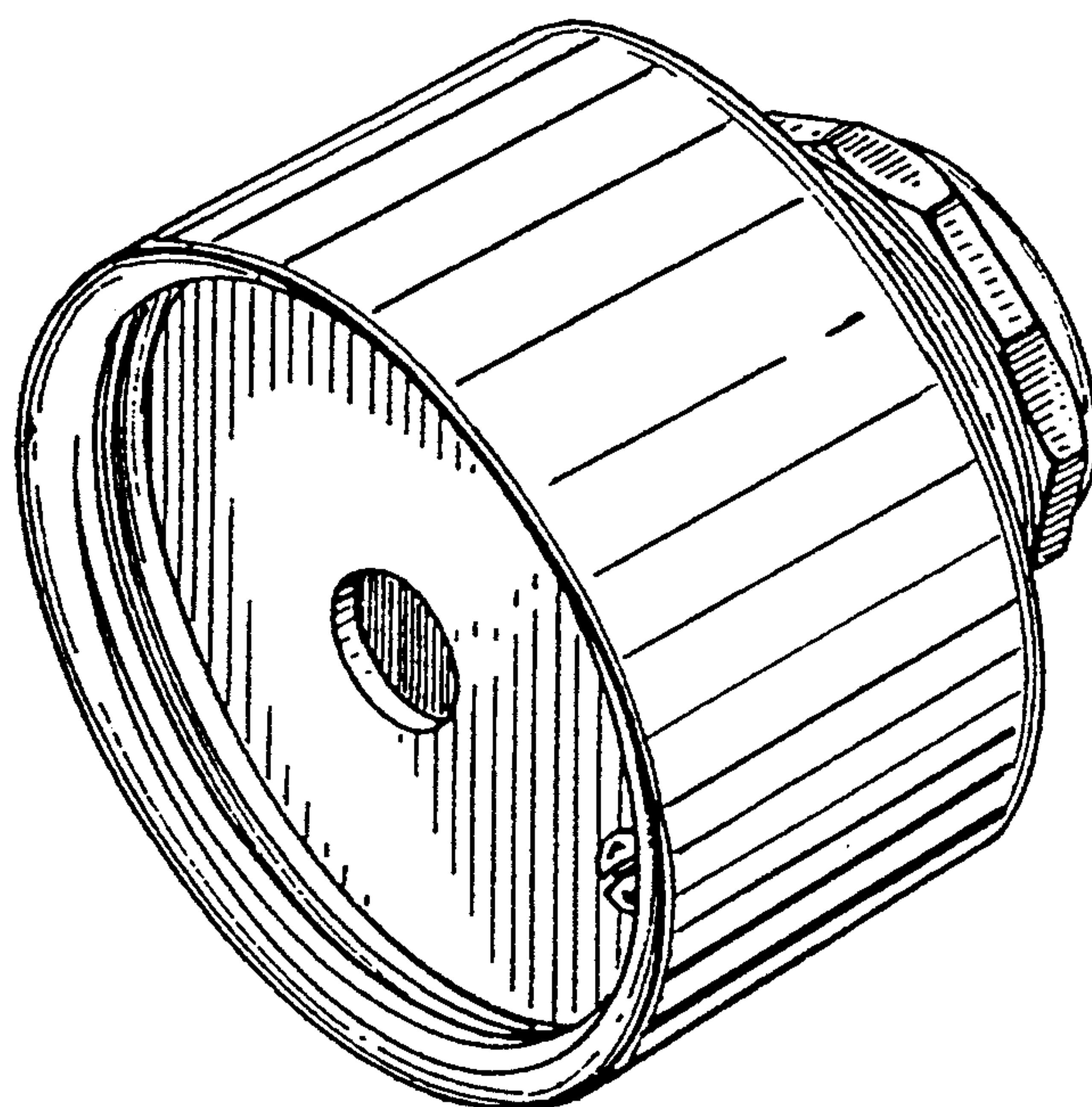


FIG. 6