



US00D351209S

**United States Patent** [19]  
**Saunders**

[11] **Patent Number: Des. 351,209**  
[45] **Date of Patent: \*\* Oct. 4, 1994**

[54] **KISSER FOR ARCHERY BOW**  
[75] **Inventor: Charles A. Saunders**, Columbus, Nebr.  
[73] **Assignee: Saunders Archery Co.**, Columbus, Nebr.  
[\*\*] **Term: 14 Years**  
[21] **Appl. No.: 1,737**  
[22] **Filed: Nov. 23, 1992**  
[52] **U.S. Cl. .... D22/107**  
[58] **Field of Search** ..... 124/87, 91, 24.1, 90, 124/44.5, 89, 23.1; 33/506, 265; D22/107, 115, 108; D10/64

4,662,344 5/1987 Mitchell ..... 124/24.1

*Primary Examiner*—A. Hugo Word  
*Assistant Examiner*—Doris V. Coles  
*Attorney, Agent, or Firm*—Michael G. Berkman

[57] **CLAIM**

The ornamental design for a kisser for archery bow, as shown and described.

**DESCRIPTION**

FIG. 1 is a top and front perspective view of a kisser for archery use, showing my new design; FIG. 2 is an enlarged top plan view thereof; FIG. 3 is a bottom plan view thereof; FIG. 4 is a side elevational view thereof as seen from the front of an orientation corresponding to FIG. 2; FIG. 5 is a side elevational view thereof as seen from the side of an orientation corresponding to FIG. 2; FIG. 6 is a side elevational view thereof as seen from the rear of an orientation corresponding to FIG. 2; and, FIG. 7 is a top perspective view of a second embodiment, all parts are identical to the first embodiment, except for a vertical slot.

[56] **References Cited**  
**U.S. PATENT DOCUMENTS**

D. 281,895	12/1985	McLain	.....	D22/108
3,600,814	8/1971	Smith	.....	33/506
3,651,578	3/1972	Saunders et al.	.....	33/506
4,382,339	5/1983	Saunders	.....	33/265

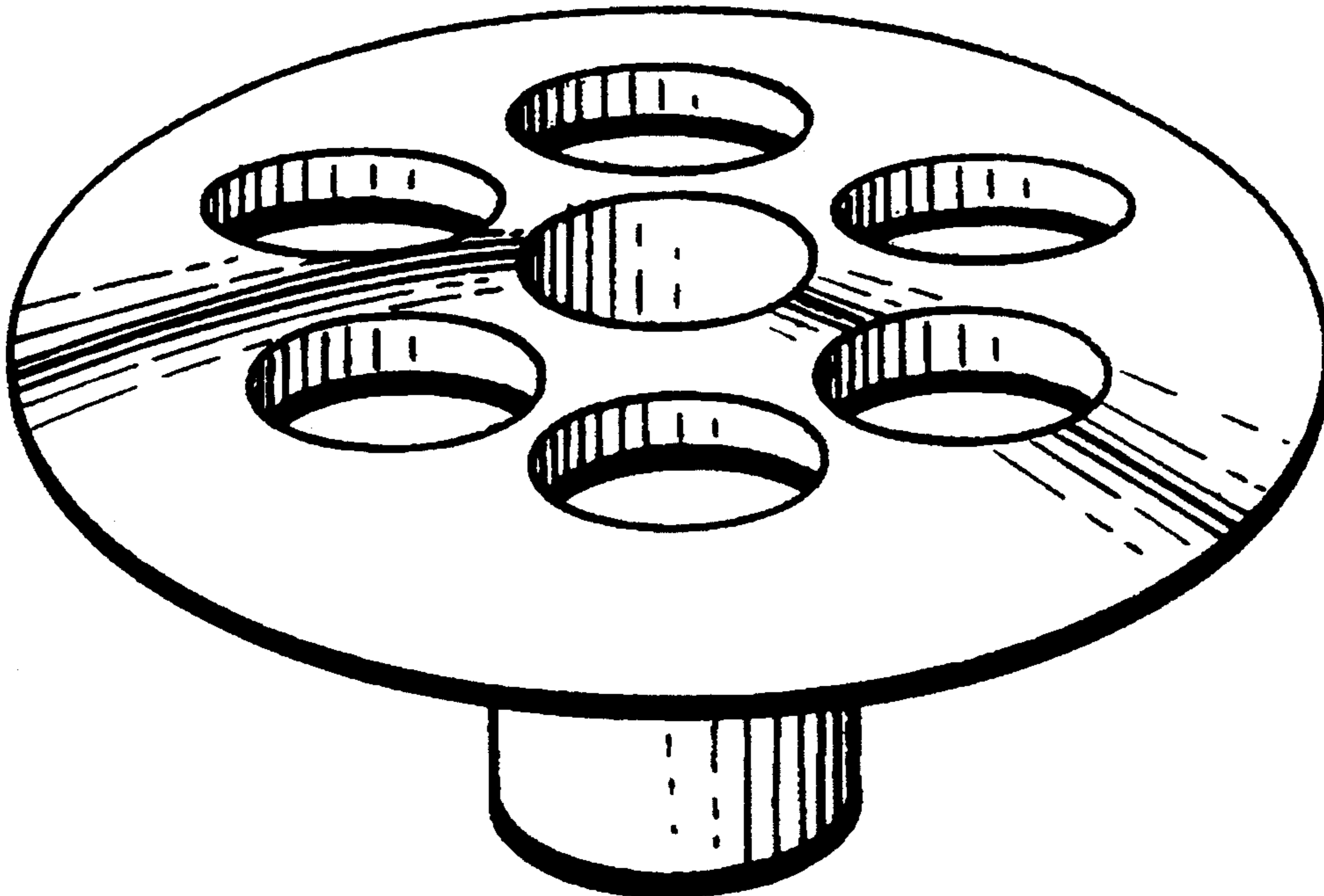


FIG. 1

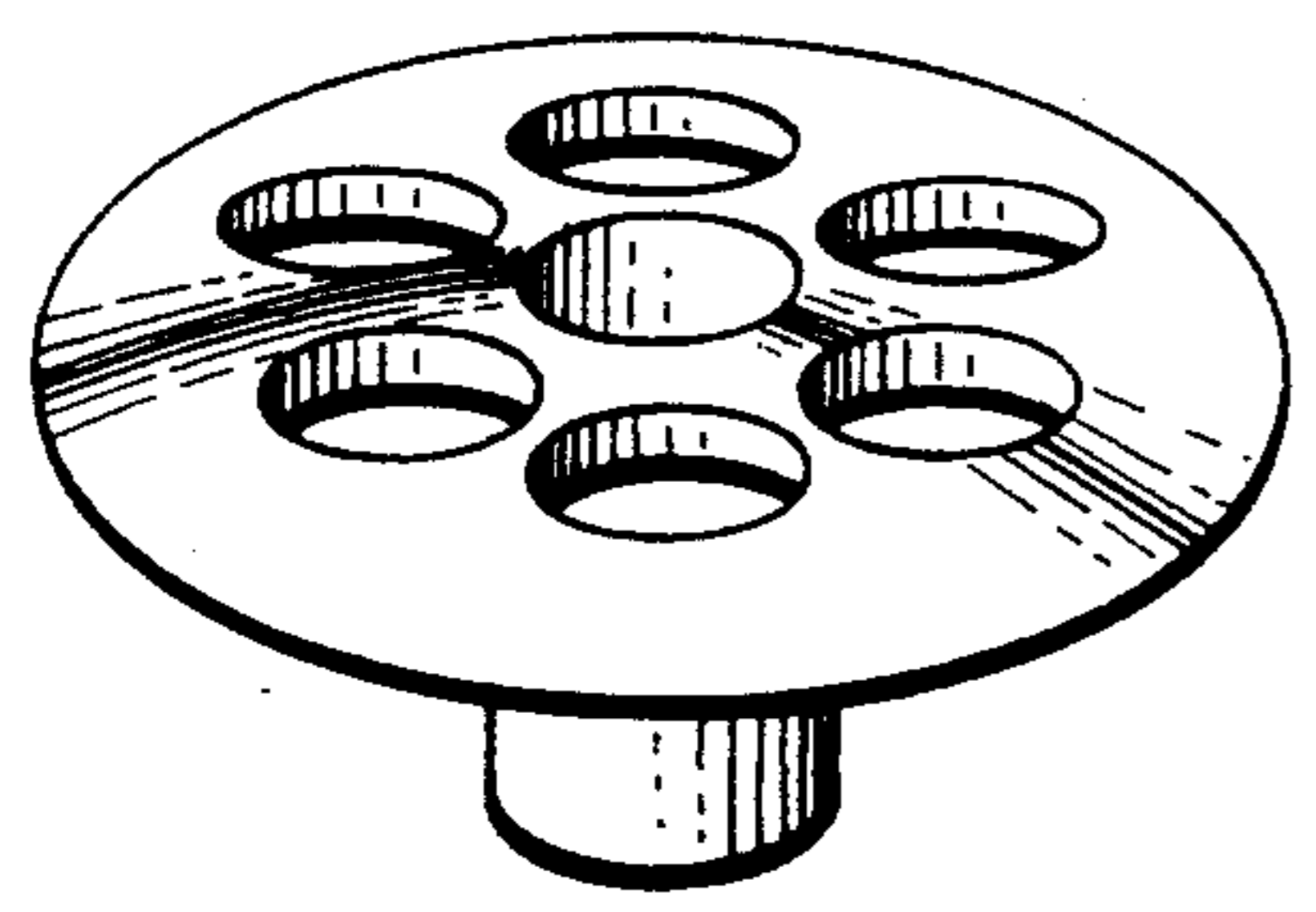


FIG. 2

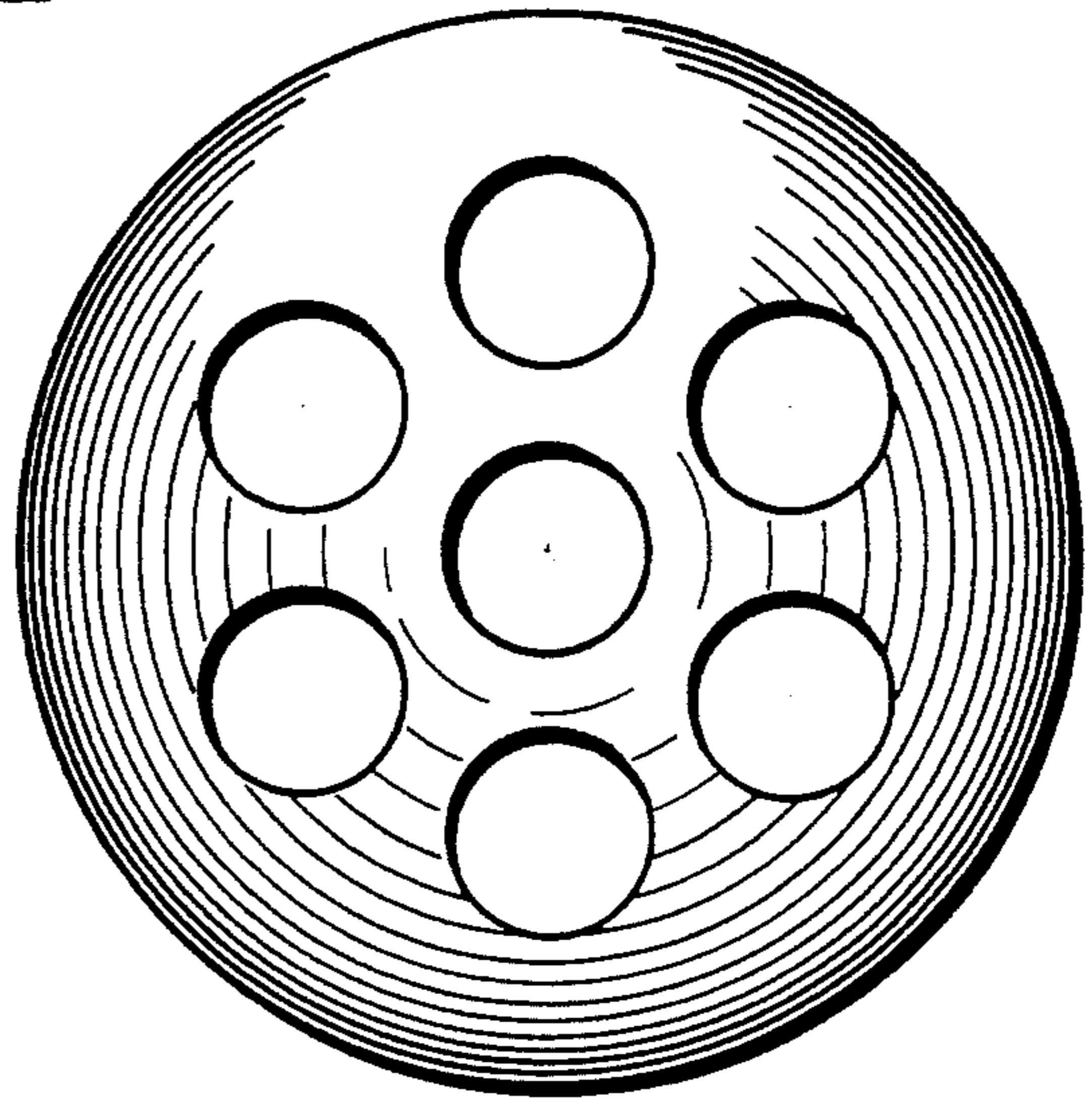


FIG. 3

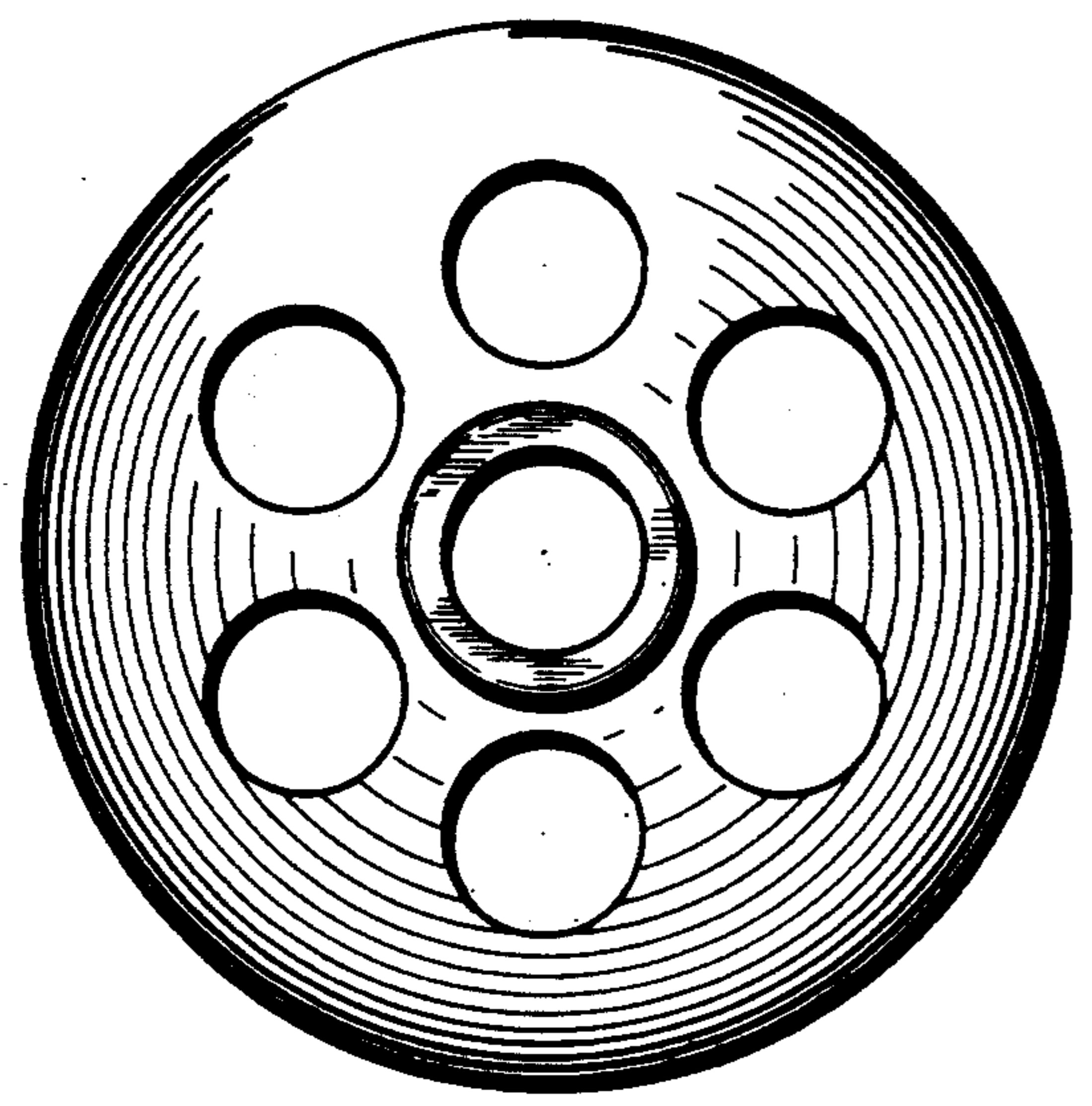


FIG. 4

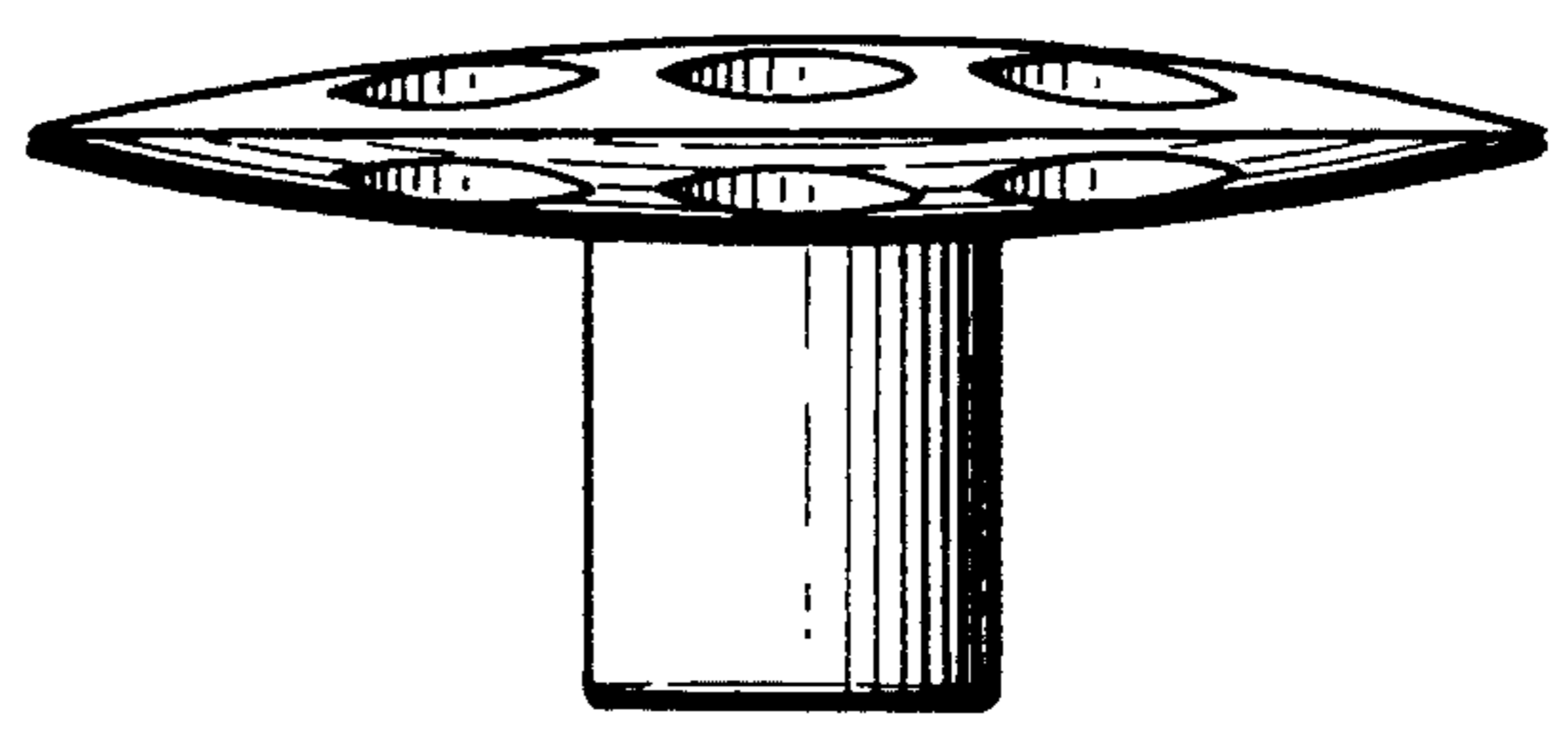


FIG. 5

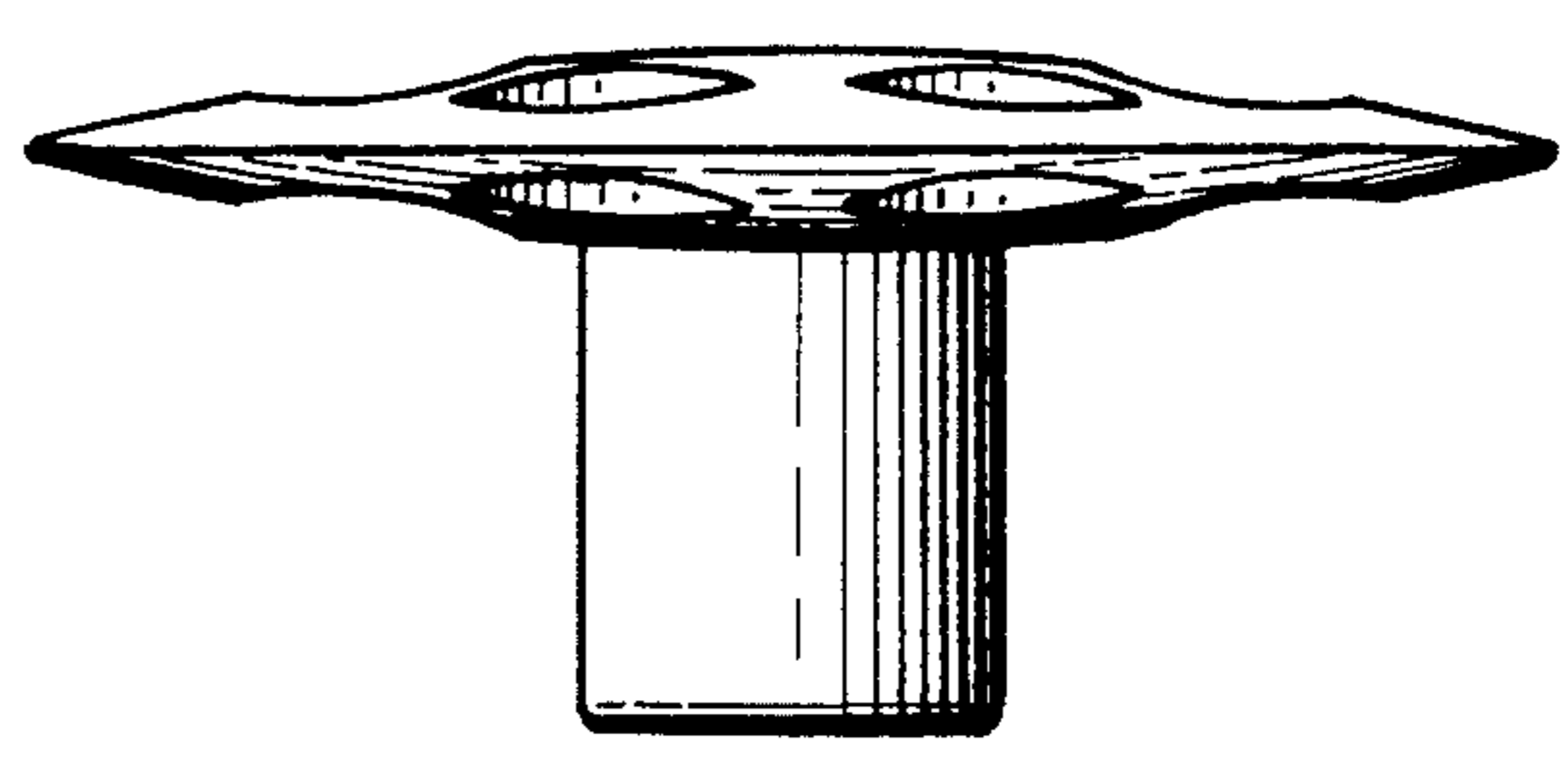


FIG. 6

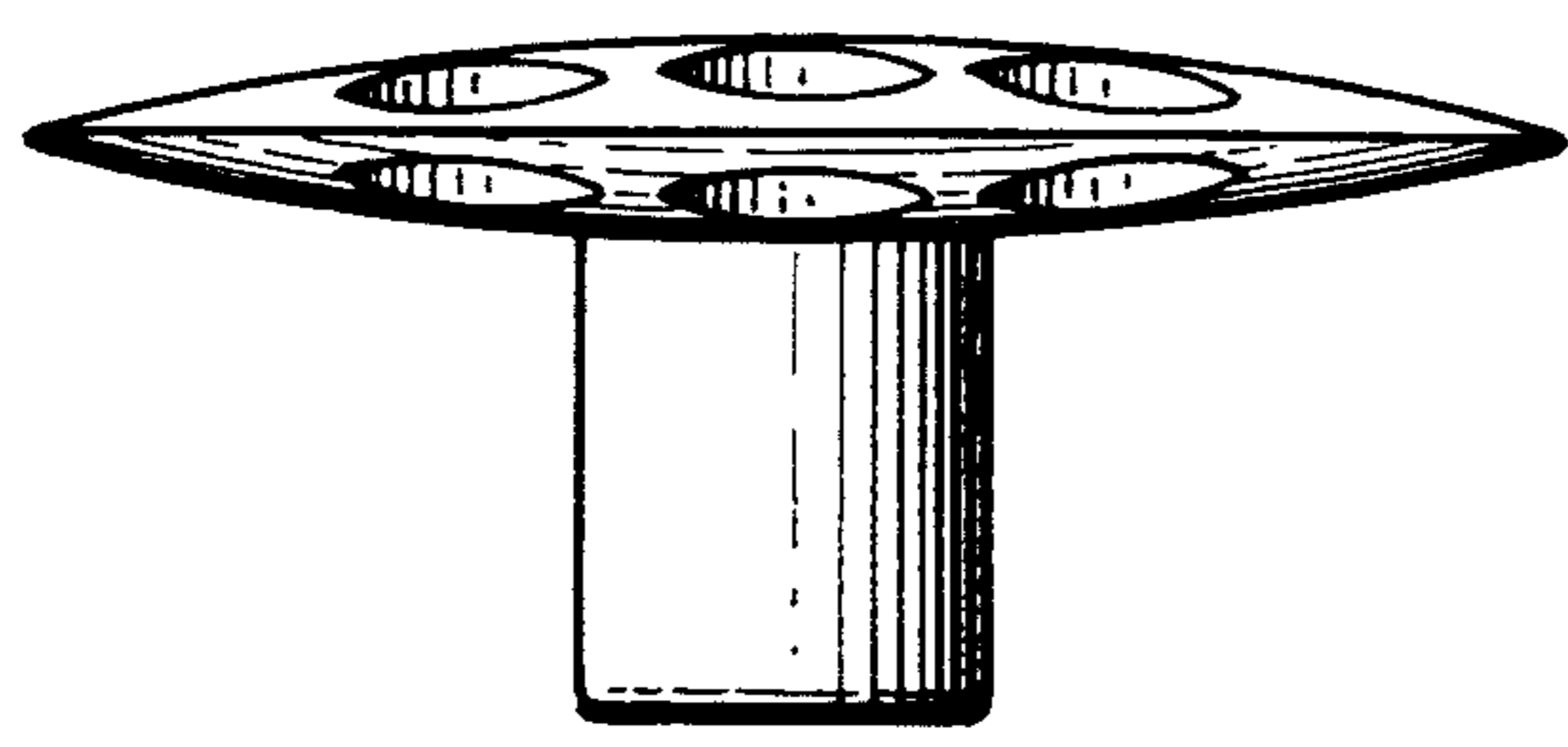


FIG. 7

