



US00D351208S

United States Patent [19]

[11] Patent Number: **Des. 351,208**

Delaney et al.

[45] Date of Patent: **** Oct. 4, 1994**

[54] **ROBOTIC FIGURE**

[75] Inventors: **Timothy J. Delaney**, Northridge;
Mark W. Stutz, Calabasas, both of
Calif.

D. 194,613	2/1963	Cirami	D21/250
D. 272,752	2/1984	Boudreaux	D21/87
D. 286,313	10/1986	Kurzweil	D21/249
D. 335,902	5/1993	Tsai	D21/87
5,080,625	1/1992	Huffhines	446/231 X

[73] Assignee: **The Walt Disney Company**, Burbank,
Calif.

Primary Examiner—Prabhakar G. Deshmukh
Attorney, Agent, or Firm—Pretty, Schroeder,
Brueggemann & Clark

[**] Term: **14 Years**

[57] **CLAIM**

[21] Appl. No.: **864,913**

The ornamental design for a robotic figure, as shown
and described.

[22] Filed: **Apr. 3, 1992**

[52] U.S. Cl. **D21/240**

[58] Field of Search 472/130, 137, 88, 89;
446/88, 95, 230, 231; D21/240, 248, 250, 249,
87-91

DESCRIPTION

FIG. 1 is a front perspective view of a robotic figure
embodying our new design, showing the figure's arms
in an open position;

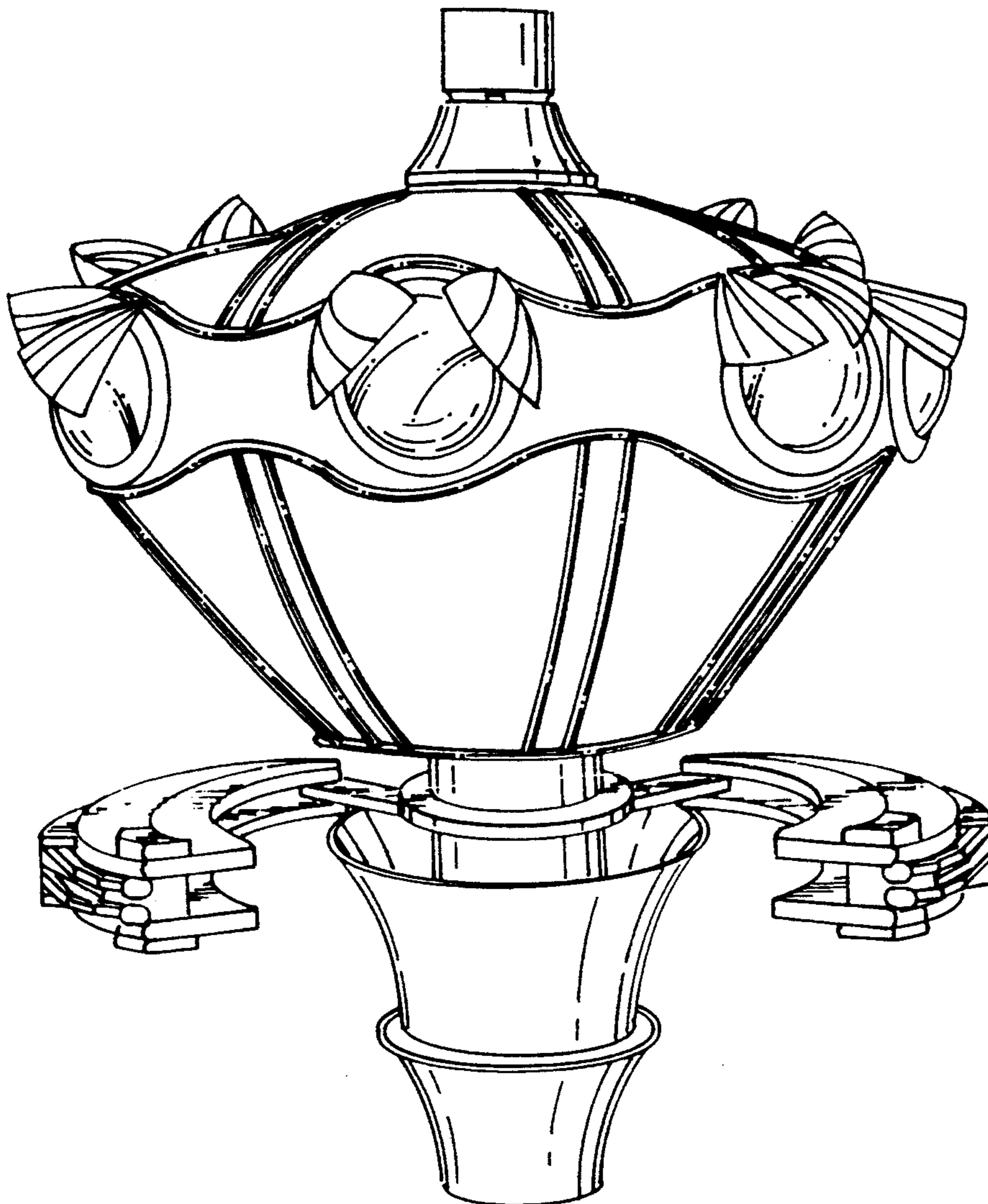
FIG. 2 is a right side perspective view of the figure,
showing the figure's arms in a closed position;

FIG. 3 is a rear perspective view of the figure; and,
FIG. 4 is a top plan view of the figure.

[56] **References Cited**

U.S. PATENT DOCUMENTS

D. 104,022 4/1937 Ford D21/87



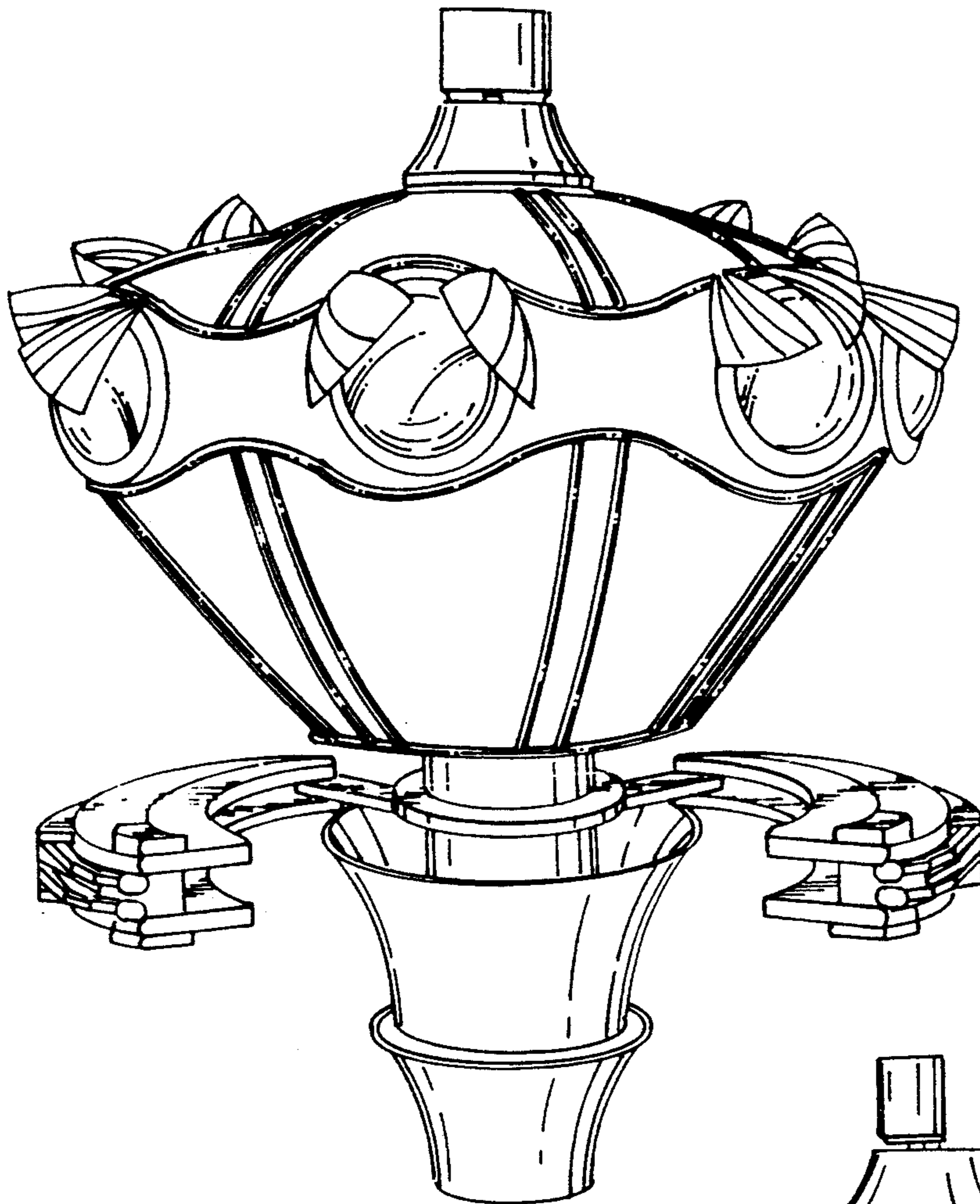


FIG. 1.

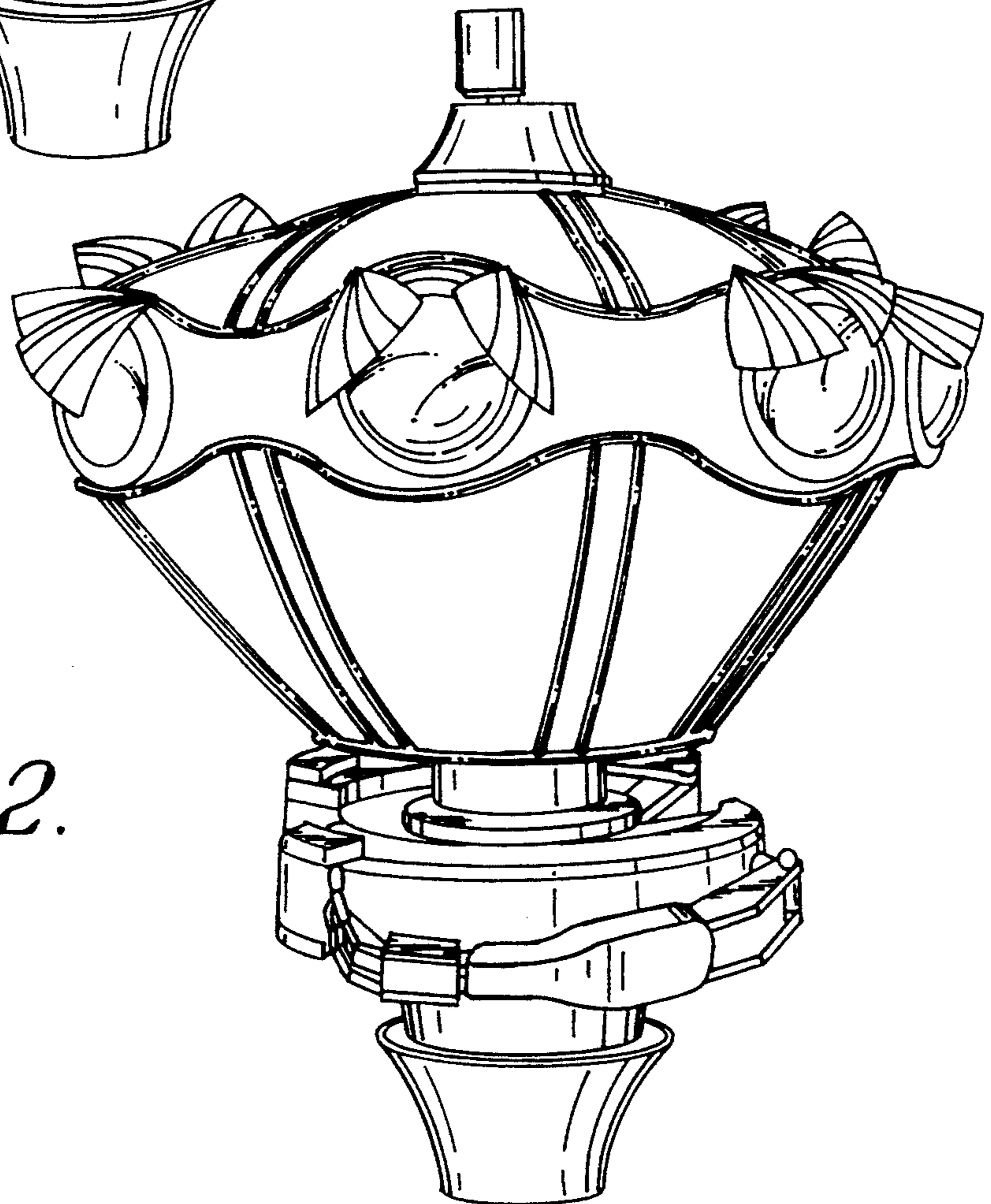


FIG. 2.

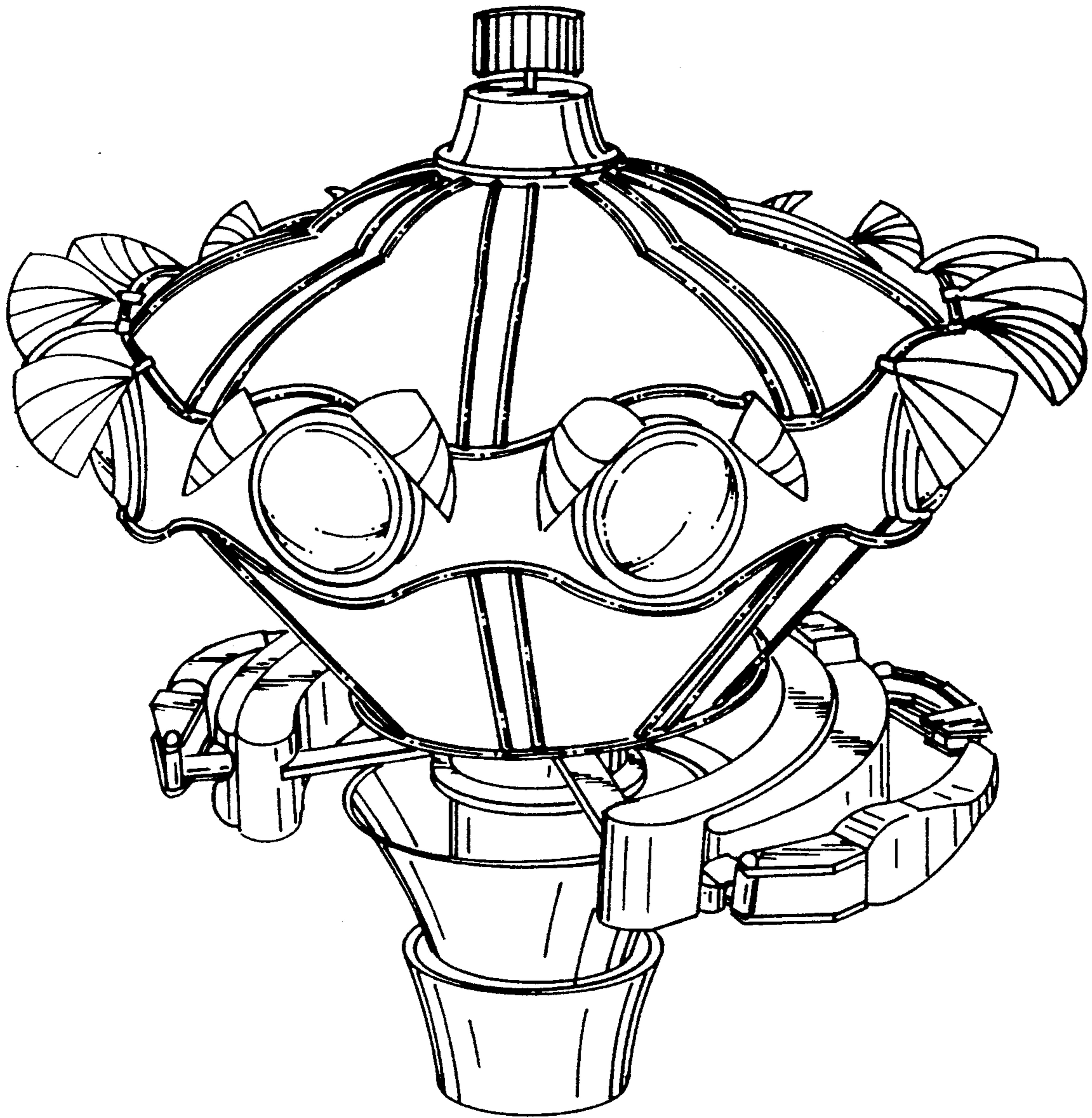


FIG. 3.

FIG. 4.

