



US00D351207S

United States Patent [19]
Chestnut

[11] **Patent Number: Des. 351,207**
[45] **Date of Patent: ** Oct. 4, 1994**

[54] **WRIST-WORN AIR TANK FOR SCUBA DIVERS**

4,996,982 3/1991 Williamson 126/205.24
5,209,224 5/1993 Nelepka 128/205.24

[76] **Inventor: Mark Chestnut, 617 Chestnut Rd., Myrtle Beach, S.C. 29572**

Primary Examiner—Stella Reid
Attorney, Agent, or Firm—Terry M. Gernstein

[**] **Term: 14 Years**

[57] **CLAIM**

[21] **Appl. No.: 1,679**

The ornamental design for a wrist-worn air tank for scuba divers, as shown and described.

[22] **Filed: Nov. 20, 1992**

[52] **U.S. Cl. D21/236**

DESCRIPTION

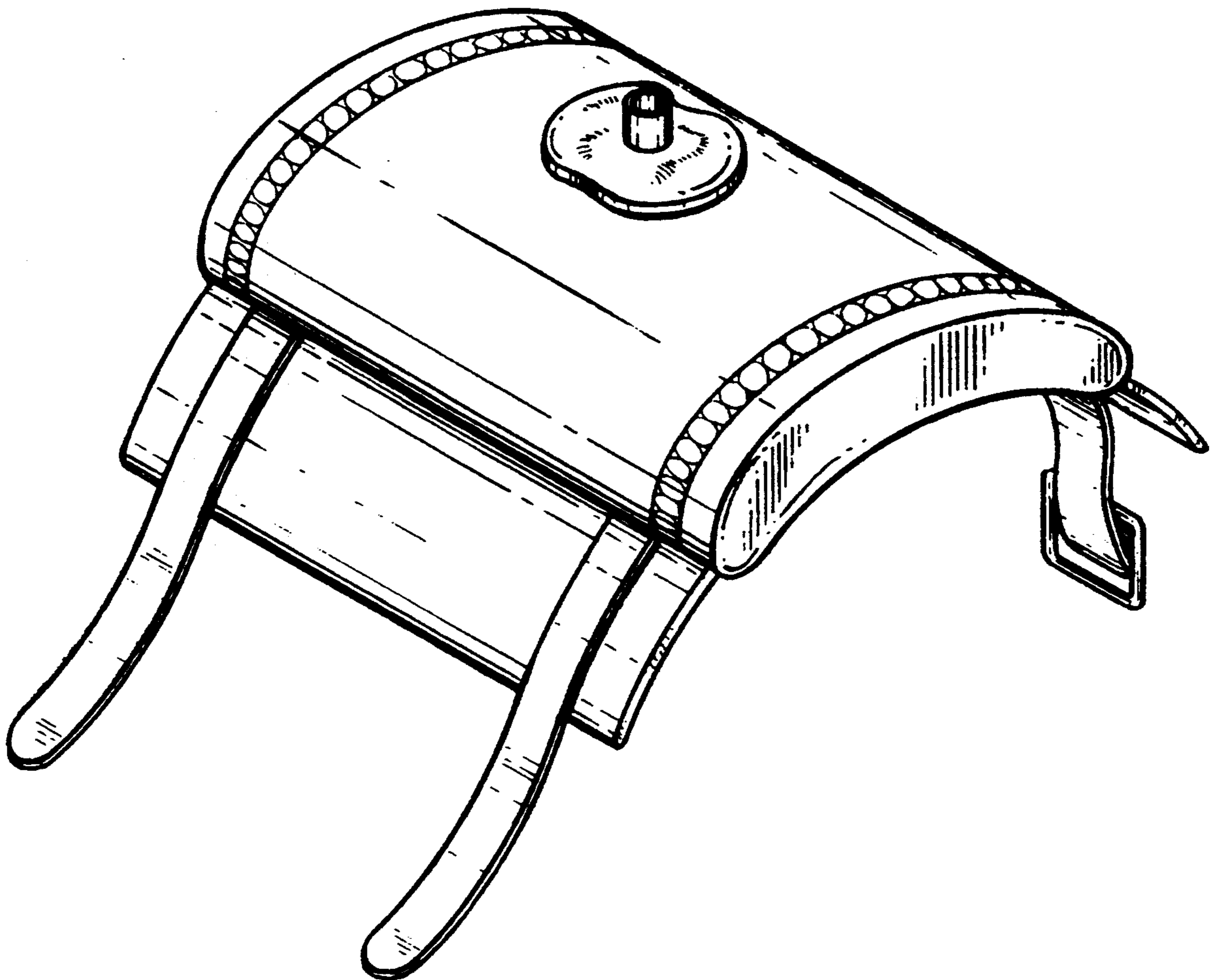
[58] **Field of Search** 128/205.24, 205.22, 128/204.18, 204.26; D24/164; D21/236

FIG. 1 is a front, top and side perspective view of a wrist-worn air tank for scuba divers embodying the design of the present invention;
FIG. 2 is a front end elevational view thereof;
FIG. 3 is a rear end elevational view thereof;
FIG. 4 is a side elevational view thereof, the side opposite being a mirror image of the side shown in FIG. 4;
FIG. 5 is a top plan view thereof; and,
FIG. 6 is a bottom plan view thereof.

[56] **References Cited**

U.S. PATENT DOCUMENTS

4,297,998 11/1981 Christianson 128/204.26
4,798,203 1/1989 Bartos 128/205.22
4,928,686 5/1990 Nelepka 126/205.24
4,941,468 7/1990 Giovanni 126/205.24



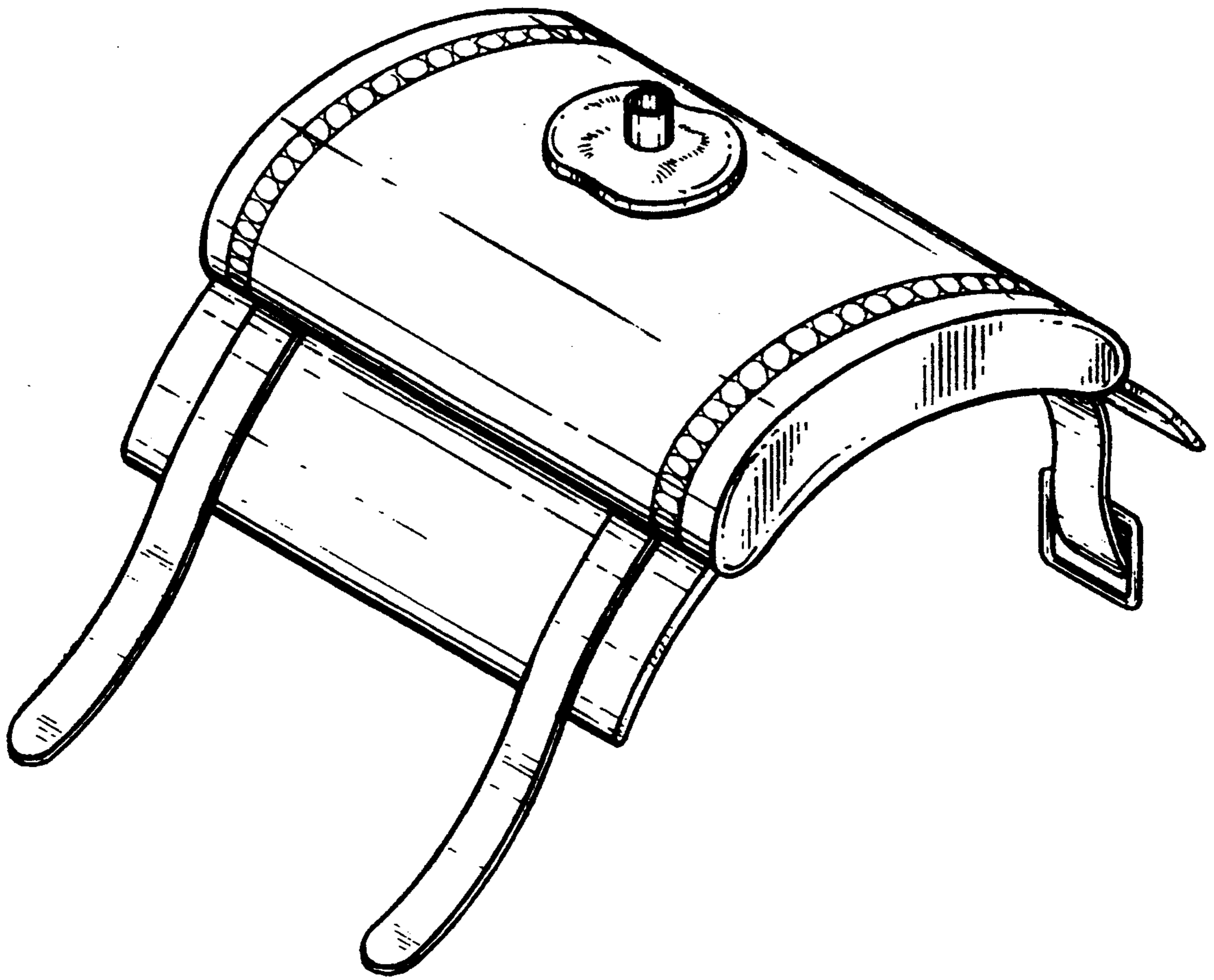


FIG. 1

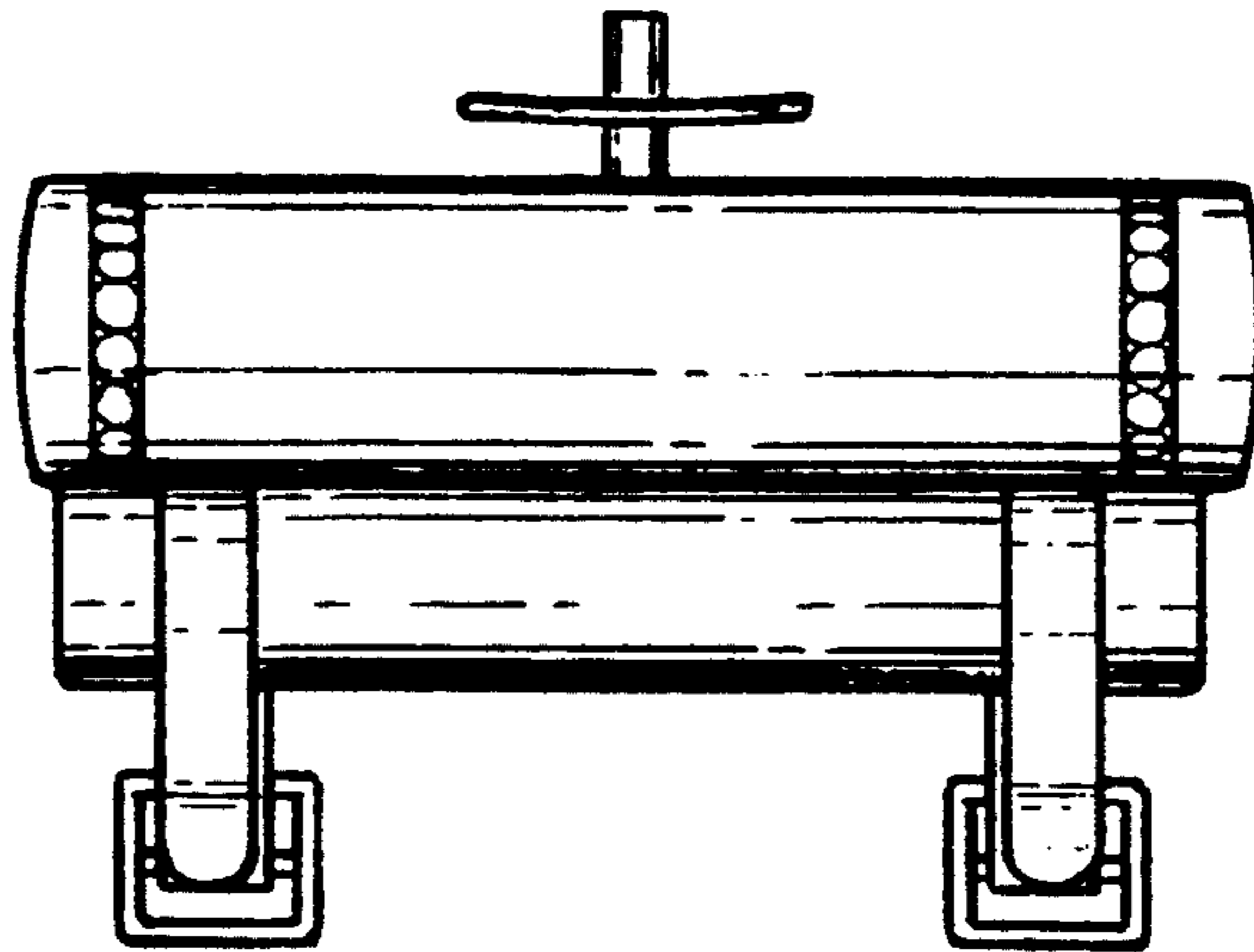


FIG. 2

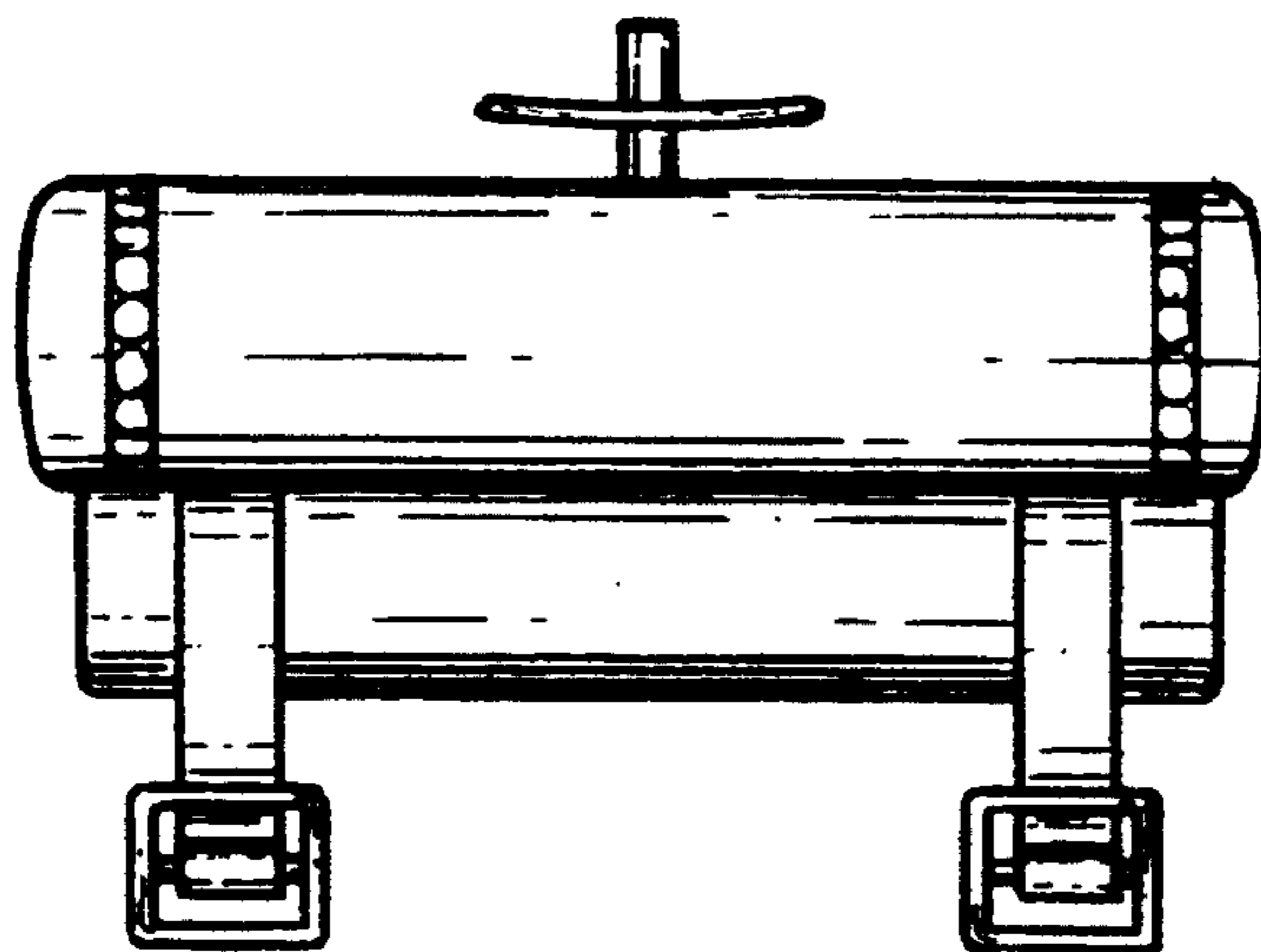


FIG. 3

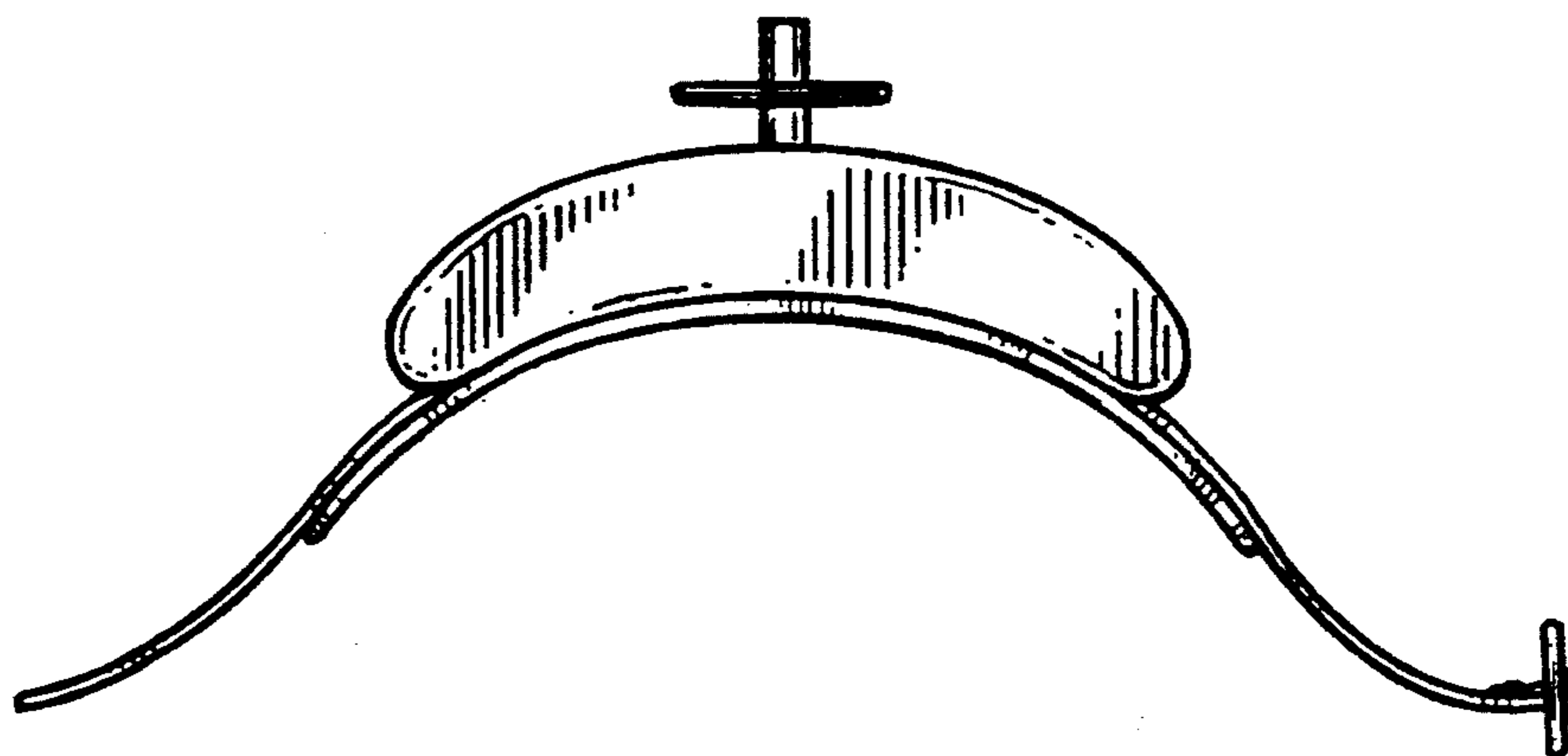


FIG. 4

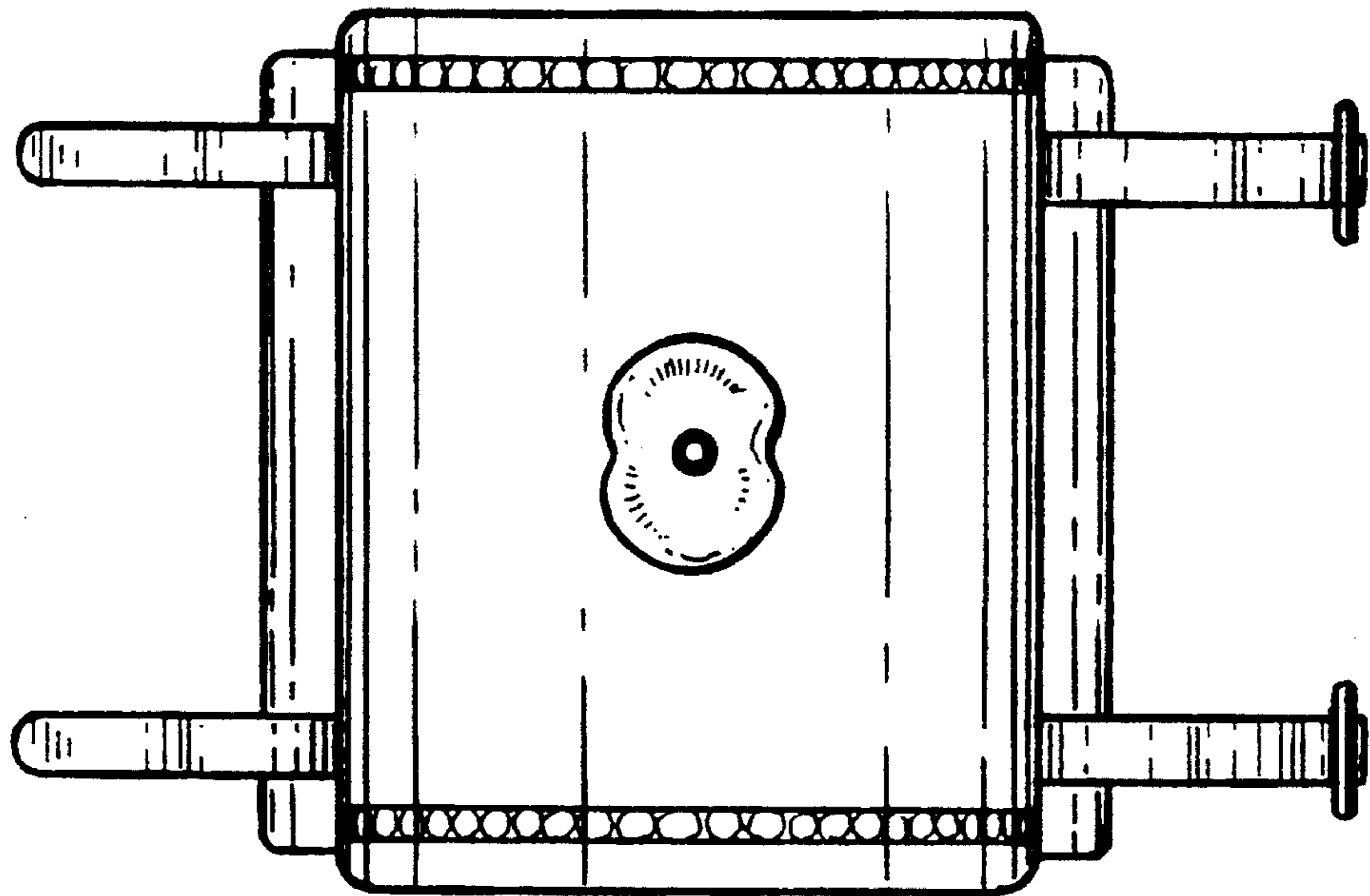


FIG. 5

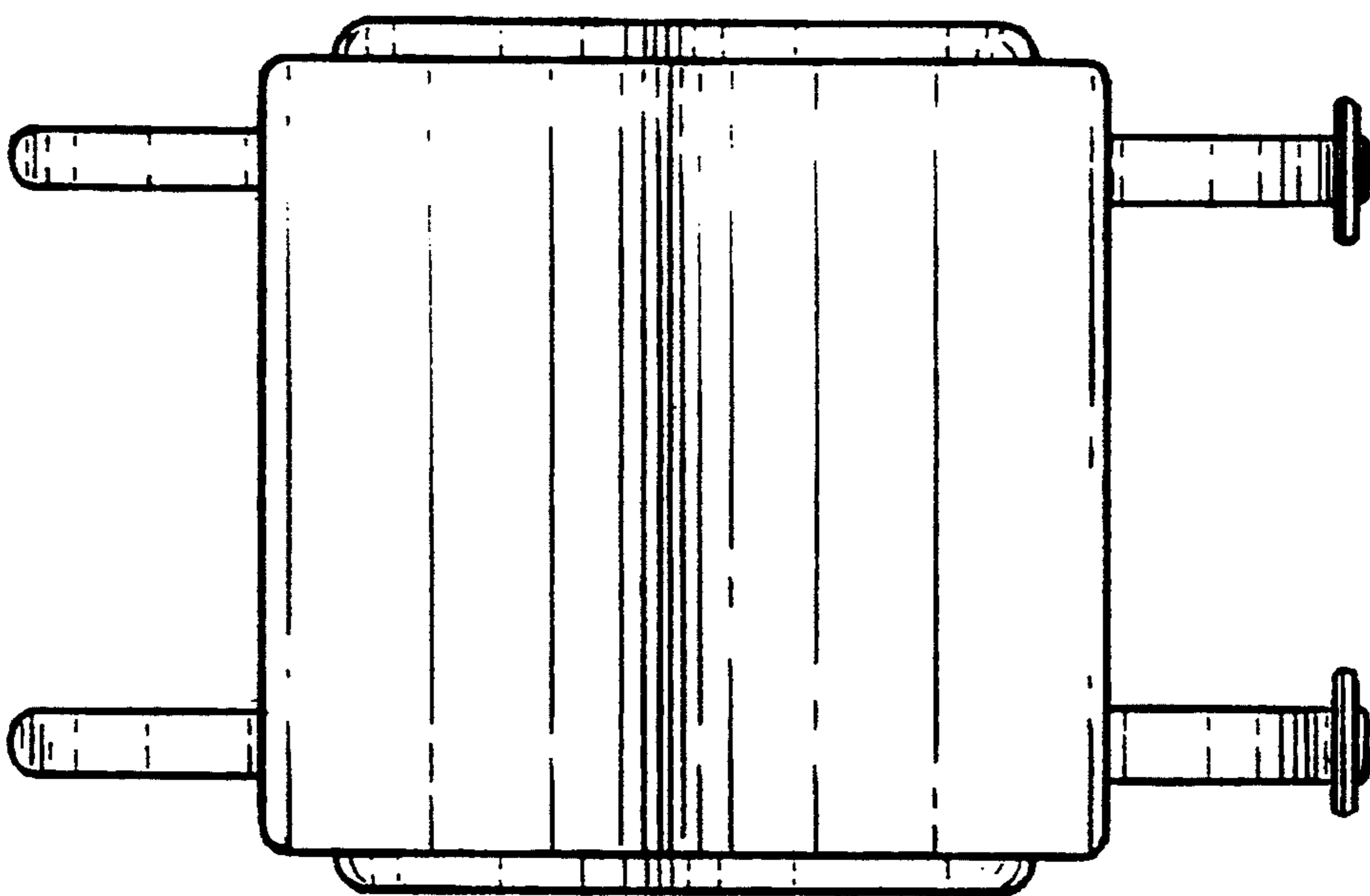


FIG. 6