



US00D351194S

United States Patent [19]

[11] Patent Number: **Des. 351,194**

Gorst et al.

[45] Date of Patent: **** Oct. 4, 1994**

[54] FRONT PLATE UNIT FOR A COIN OR TOKEN RECEIVING APPARATUS

[75] Inventors: **Alan Gorst; Gary Anderson; Dennis Wood**, all of Lancashire, England

[73] Assignee: **Coin Controls Limited**, Royton, England

[**] Term: **14 Years**

[21] Appl. No.: **7,330**

[22] Filed: **Apr. 19, 1993**

[30] Foreign Application Priority Data

Oct. 26, 1992 [GB]	United Kingdom	2026682
[52] U.S. Cl.		D20/9
[58] Field of Search	194/217, 346; 453/5, 453/6, 8, 9, 61; D20/8, 9	

[56] References Cited

U.S. PATENT DOCUMENTS

D. 258,598	3/1981	Maloy et al.	D20/9
D. 284,485	7/1986	Tod et al.	D20/9
D. 296,449	6/1988	Lövbrand	D20/5
4,509,631	4/1985	Kim	194/350
4,515,261	5/1985	Prisant	194/350
4,526,264	7/1985	MacNamara et al.	194/217

OTHER PUBLICATIONS

Vending Times; Buyers Guide 1982; p. 171; Coin Control—right side of page.

Vending Times; Buyers Guide 1982; Coin Control—right side of page.

Vending Times; Buyers Guide 1982; p. 48.

National Rejector (NRI) Validator Described and Illustrated in Attached Extract from Vending International, vol. 26, No. 6, Jun. 1993.

SECI (Comestro) Validator Illustrated in Attached Product Information Sheet—No Date provided.

Primary Examiner—Bernard Ansher

Assistant Examiner—N. Siegel

Attorney, Agent, or Firm—Morgan & Finnegan

[57] CLAIM

The ornamental design for a front plate unit for a coin or token receiving apparatus, as shown and described.

DESCRIPTION

FIG. 1 is a front elevational view of the front plate unit for a coin or token receiving apparatus according to our invention;

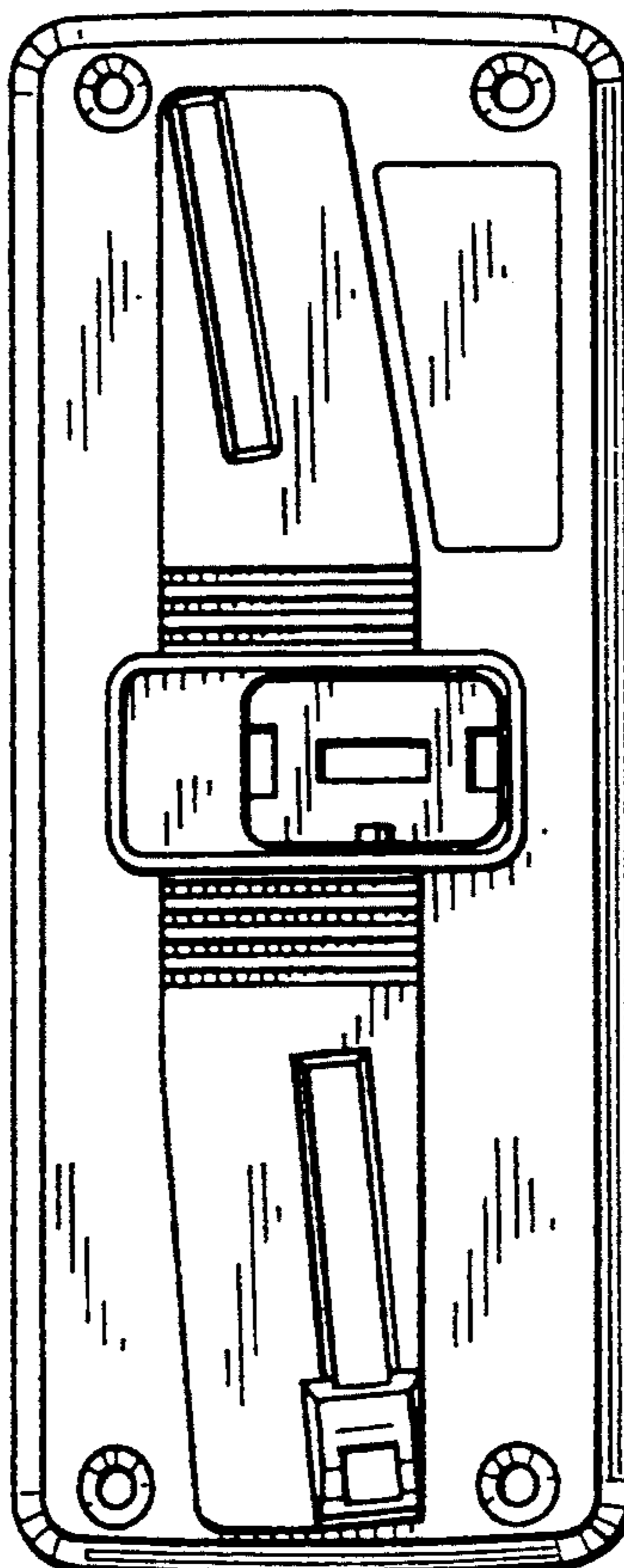
FIG. 2 is a rear elevational view thereof;

FIG. 3 is a top plan view thereof;

FIG. 4 is a right side elevational view thereof;

FIG. 5 is a left side elevational view thereof; and,

FIG. 6 is a bottom view thereof.



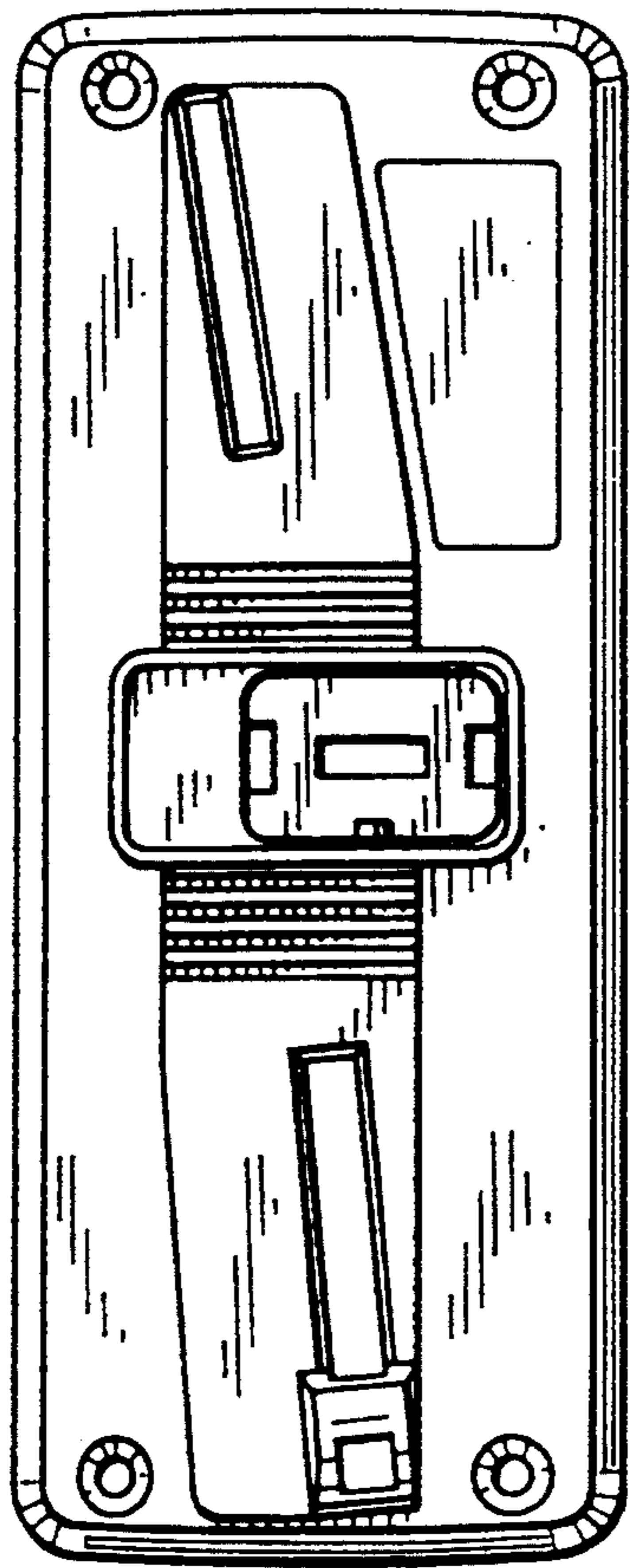


FIG. 1.

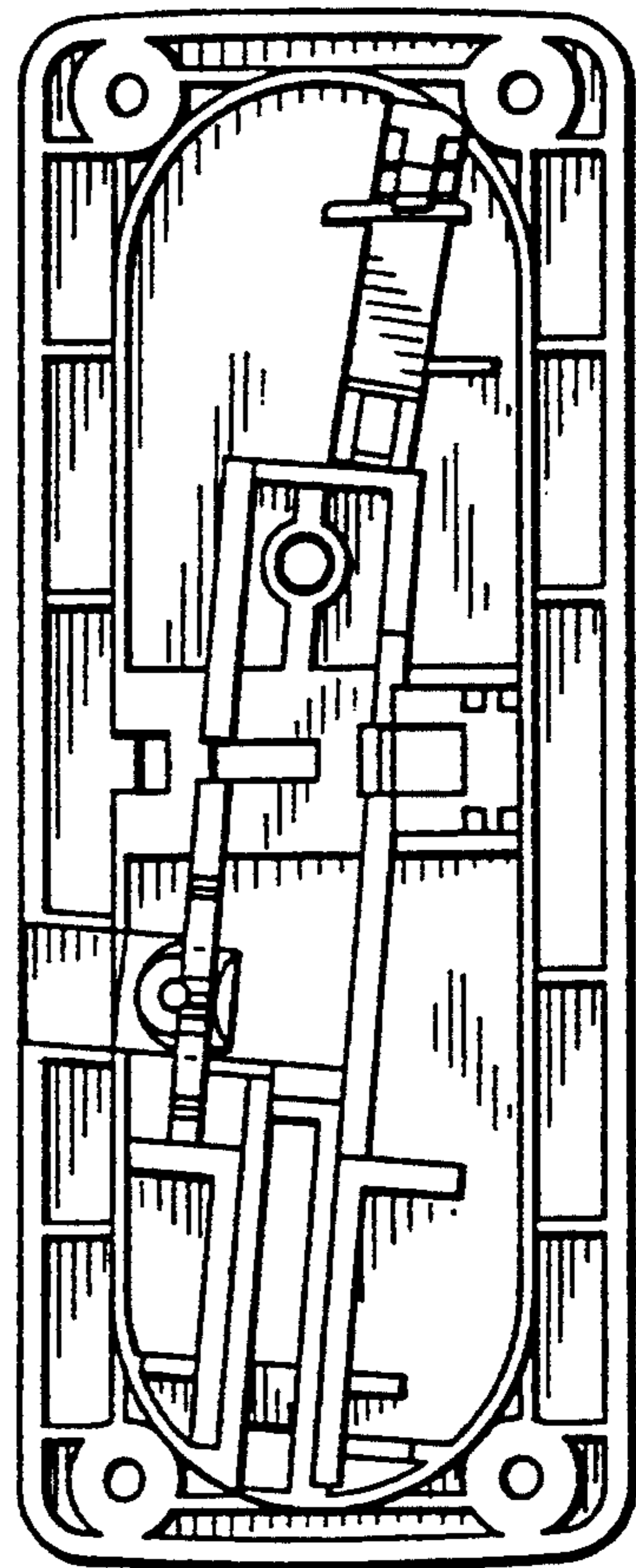


FIG. 2.

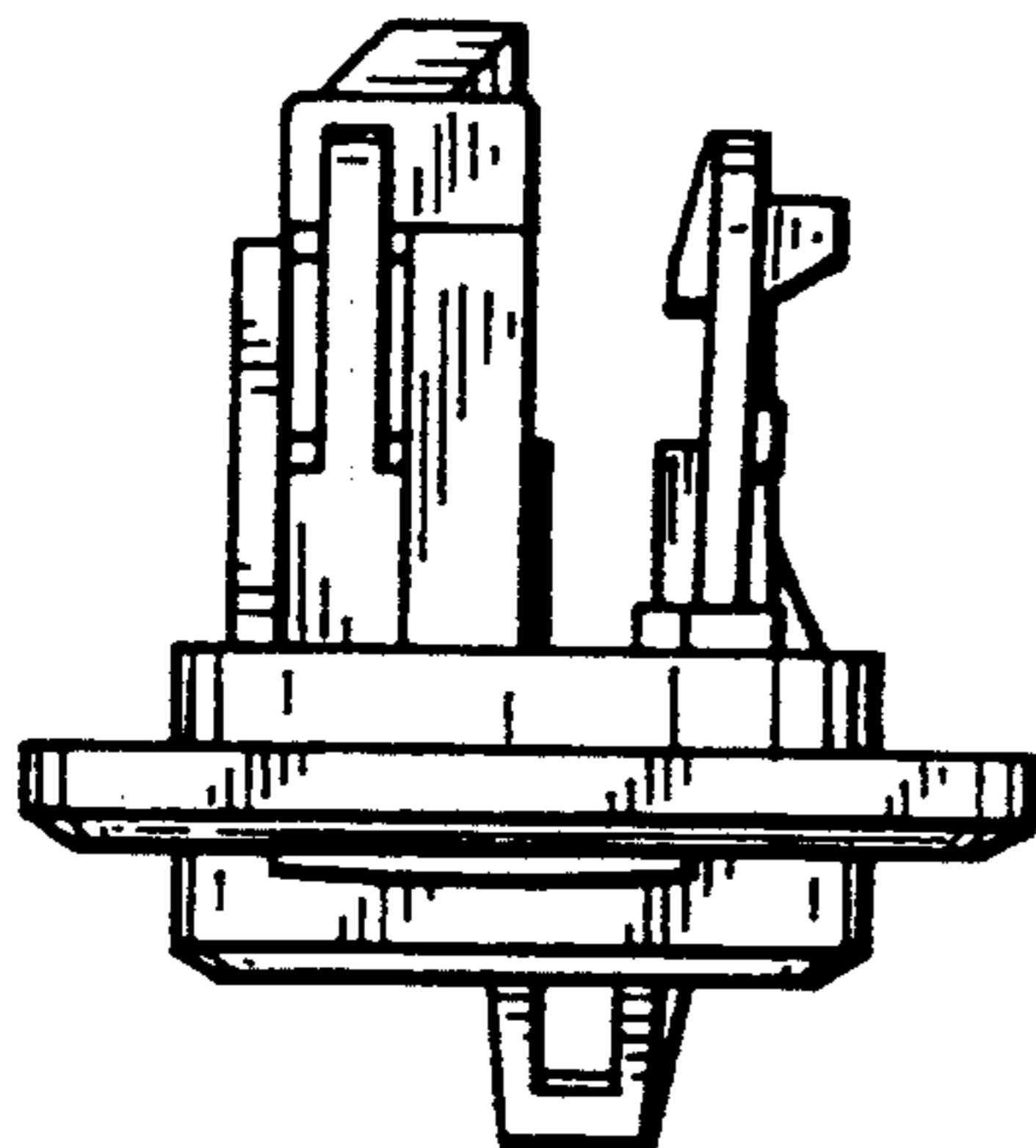


FIG. 3.

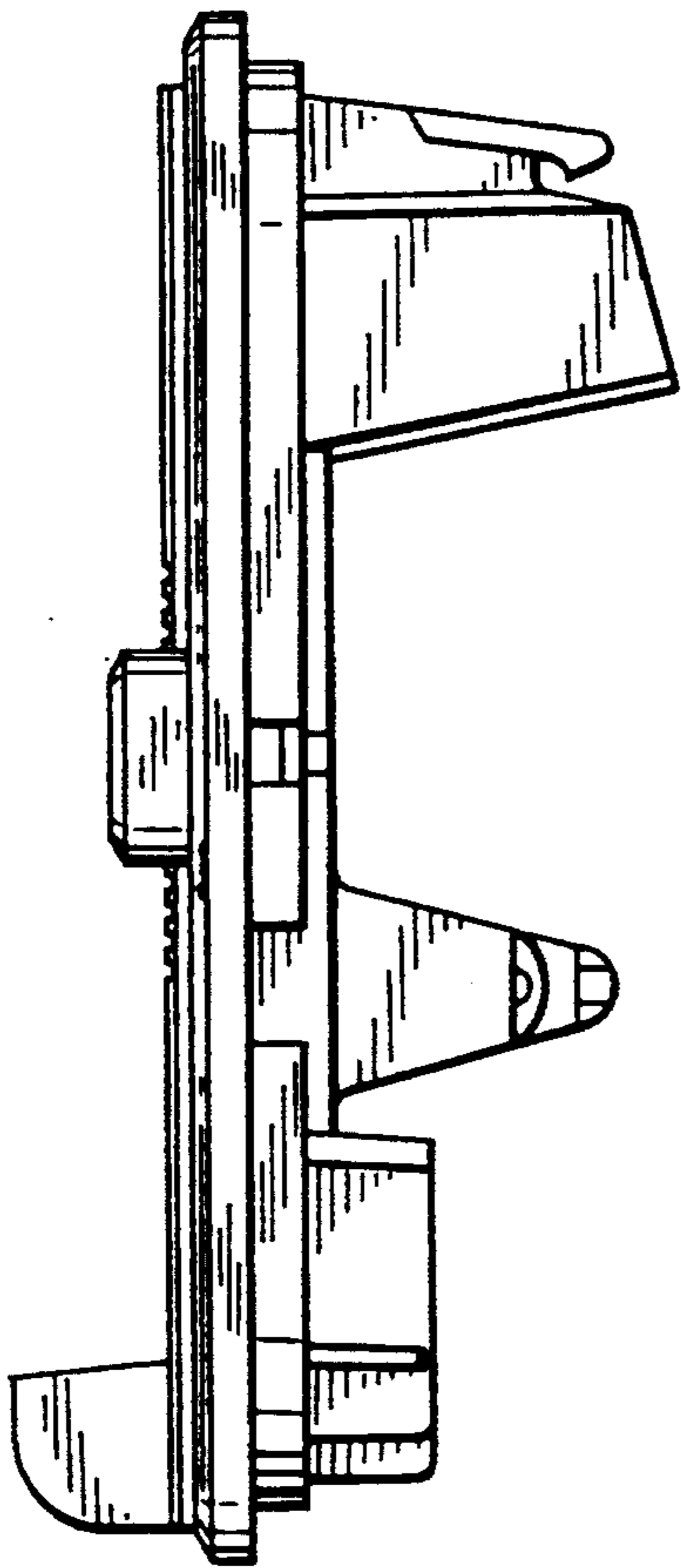


FIG. 4.

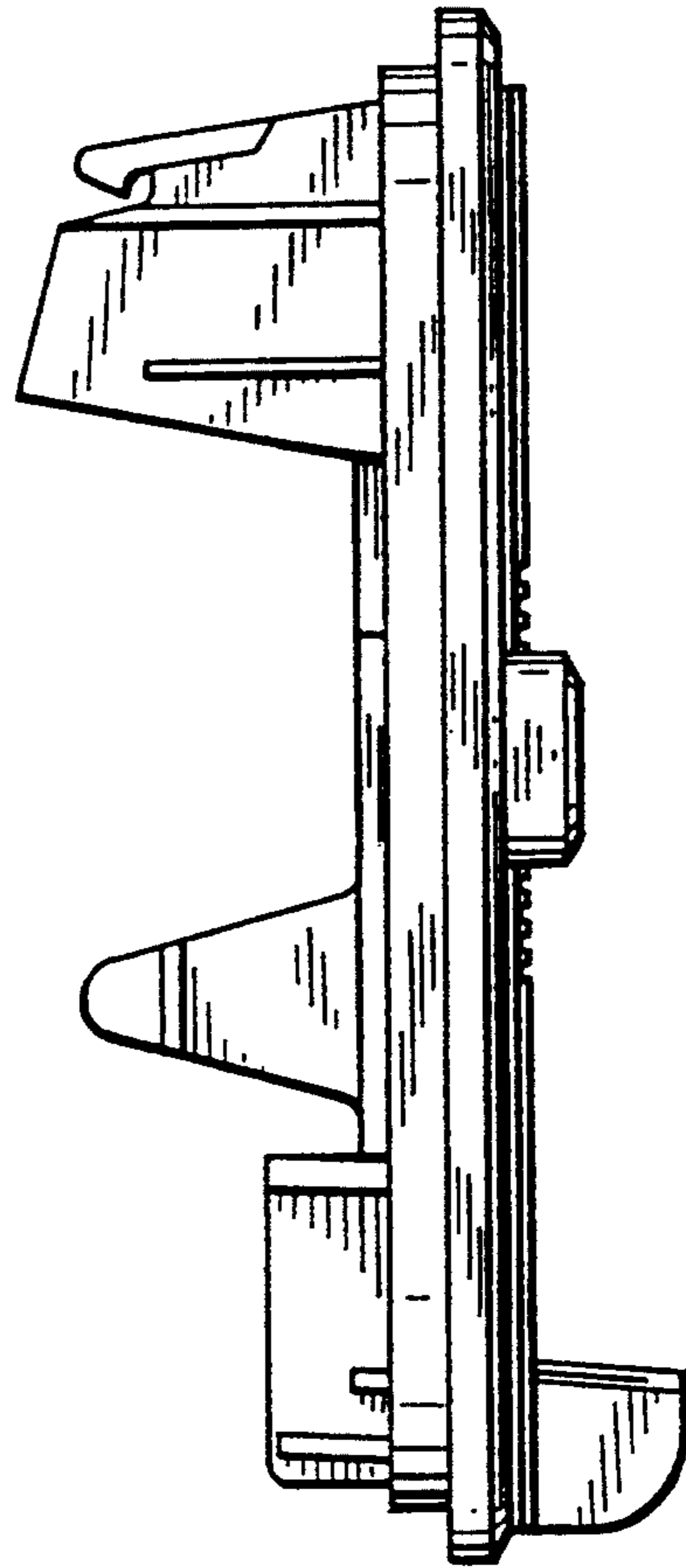


FIG. 5.

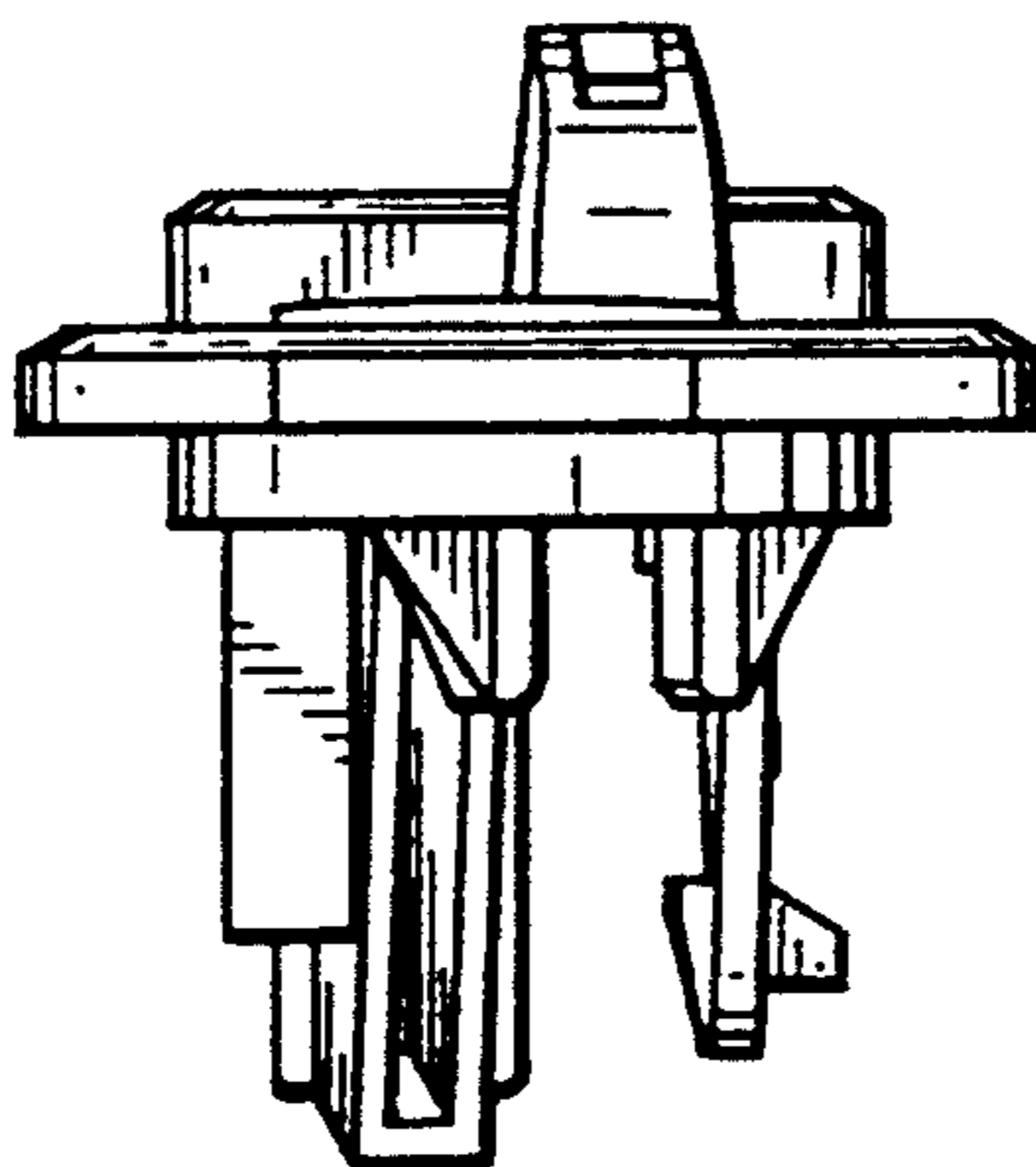


FIG. 6.