



US00D351191S

United States Patent [19]

[11] Patent Number: **Des. 351,191**

Barocas et al.

[45] Date of Patent: **** Oct. 4, 1994**

[54] **PRINTING SCREEN FRAME PROTECTOR**

[76] Inventors: **Ervin V. Barocas**, 1197 Ragley Hall Rd., Atlanta, Ga. 30319; **Lewis C. McLemore, III**, 702 Park St., Port Barre, La. 70577

[**] Term: **14 Years**

[21] Appl. No.: **5,944**

[22] Filed: **Mar. 18, 1993**

[52] U.S. Cl. **D18/56**

[58] Field of Search 101/126, 127, 127.1, 101/128.1, 333; 24/67.9, 563; D18/56

[56] **References Cited**

U.S. PATENT DOCUMENTS

D. 206,835	1/1967	Anderson	D18/15
D. 286,044	10/1986	Kando	D18/56
1,428,900	9/1922	Oppenheimer	24/67.9
2,218,451	10/1940	Heyne	101/415.1
2,299,628	10/1942	Johnson et al.	101/127.1
2,566,837	9/1951	Huelsmeyer	24/67.9
3,230,882	1/1956	Snyder	101/128.1
3,273,497	9/1966	Rosema et al.	101/128.1
3,669,071	6/1972	Gates	101/333

4,793,030	12/1988	Hirsh	24/563
4,860,814	8/1989	Vilmann et al.	160/381
4,863,156	9/1989	Shaw	482/27
4,934,738	6/1990	Colonna	281/28

FOREIGN PATENT DOCUMENTS

487704	1/1952	Canada	D18/281 56
1143888	4/1957	France	24/67.9
394118	11/1965	Switzerland	24/67.9

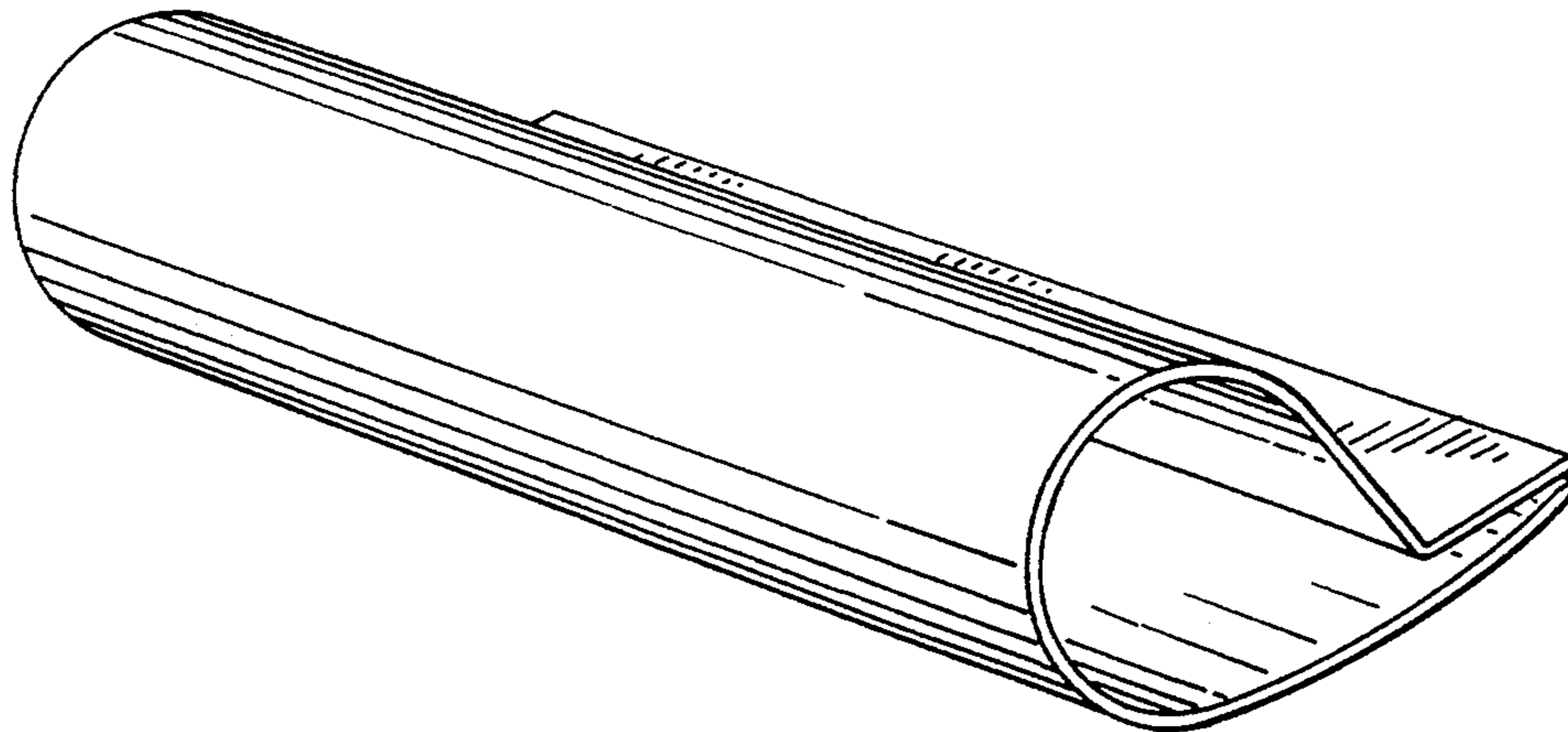
Primary Examiner—Cathy Anne MacCormac
Attorney, Agent, or Firm—Thomas W. Tolpin

[57] **CLAIM**

The ornamental design for a printing screen frame protector, as shown.

DESCRIPTION

FIG. 1 is a perspective view of a printing screen frame protector showing our new design; FIG. 2 is a top view thereof; FIG. 3 is a bottom view thereof; FIG. 4 is a front view thereof; FIG. 5 is a back view thereof; FIG. 6 is a right side view thereof; and, FIG. 7 is a left side view thereof.



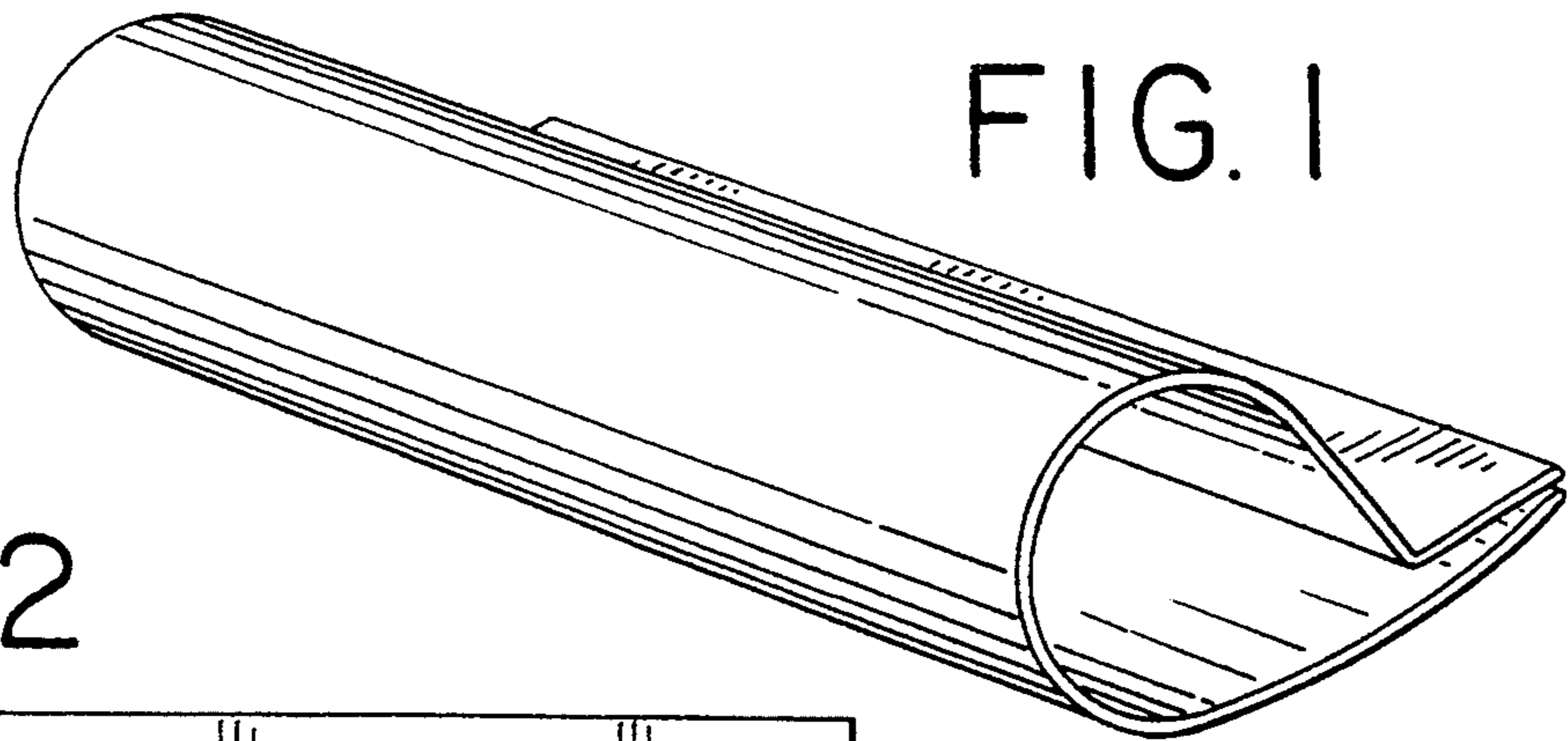


FIG. 1

FIG. 2

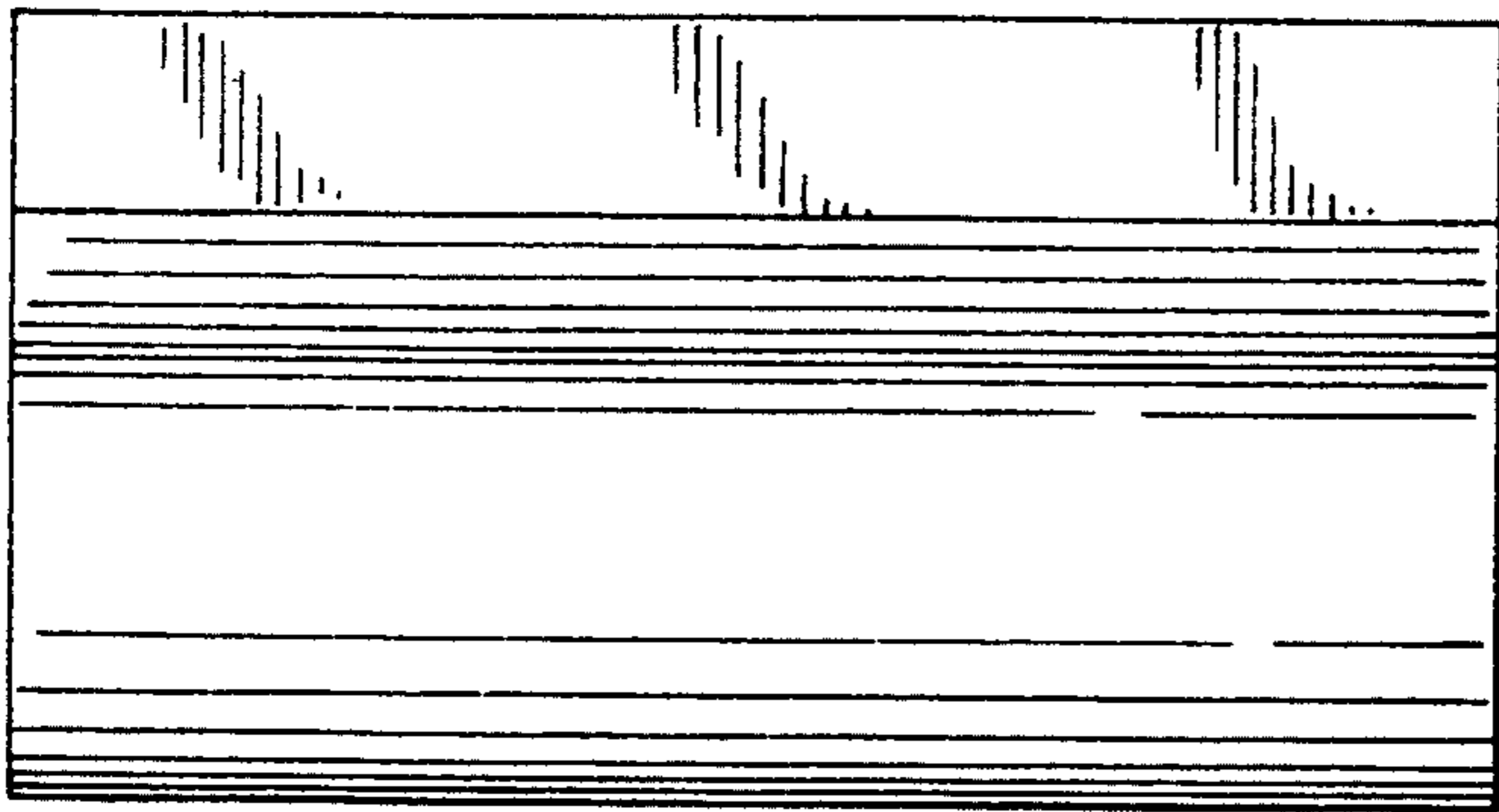


FIG. 3

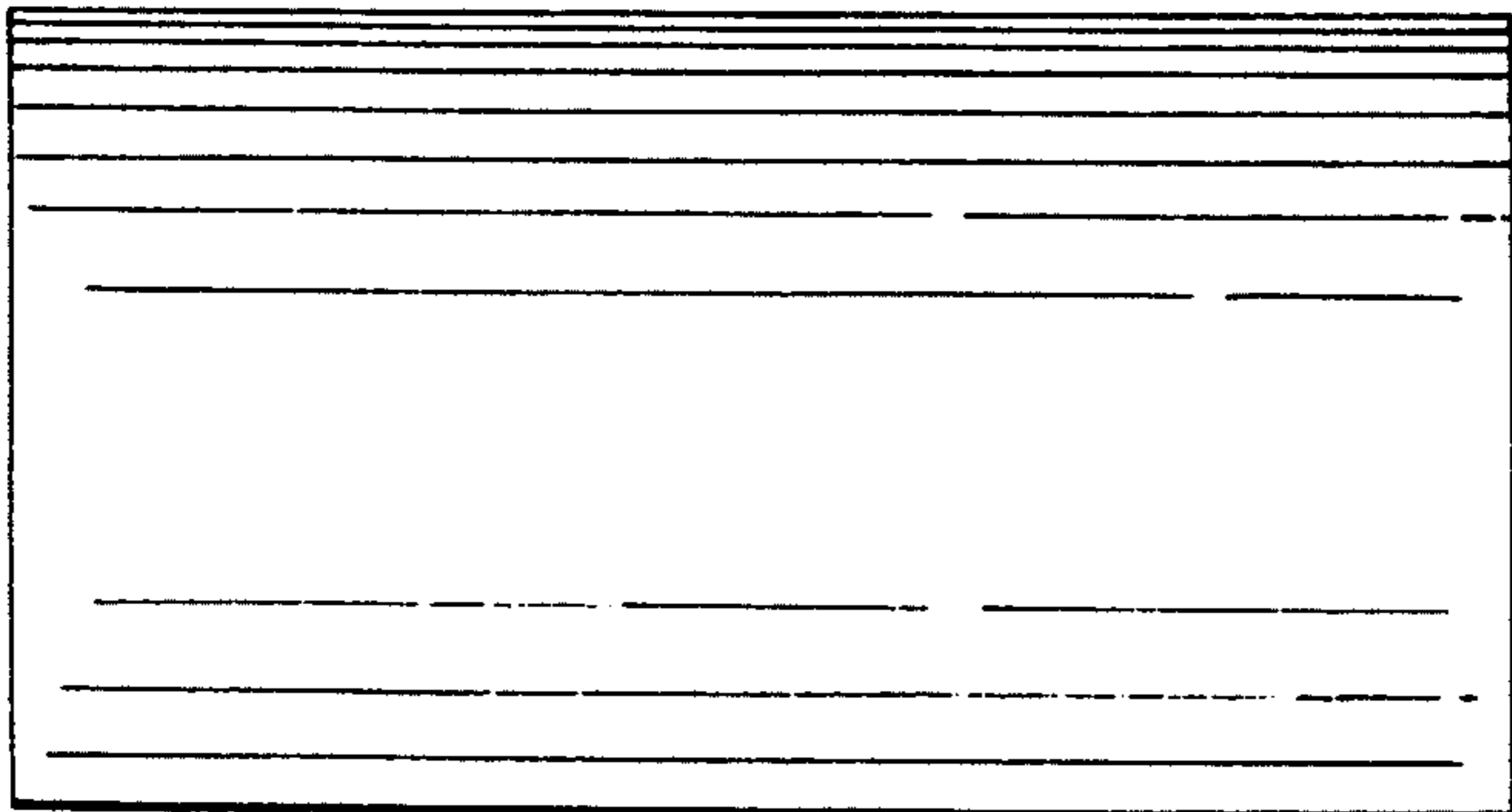


FIG. 4

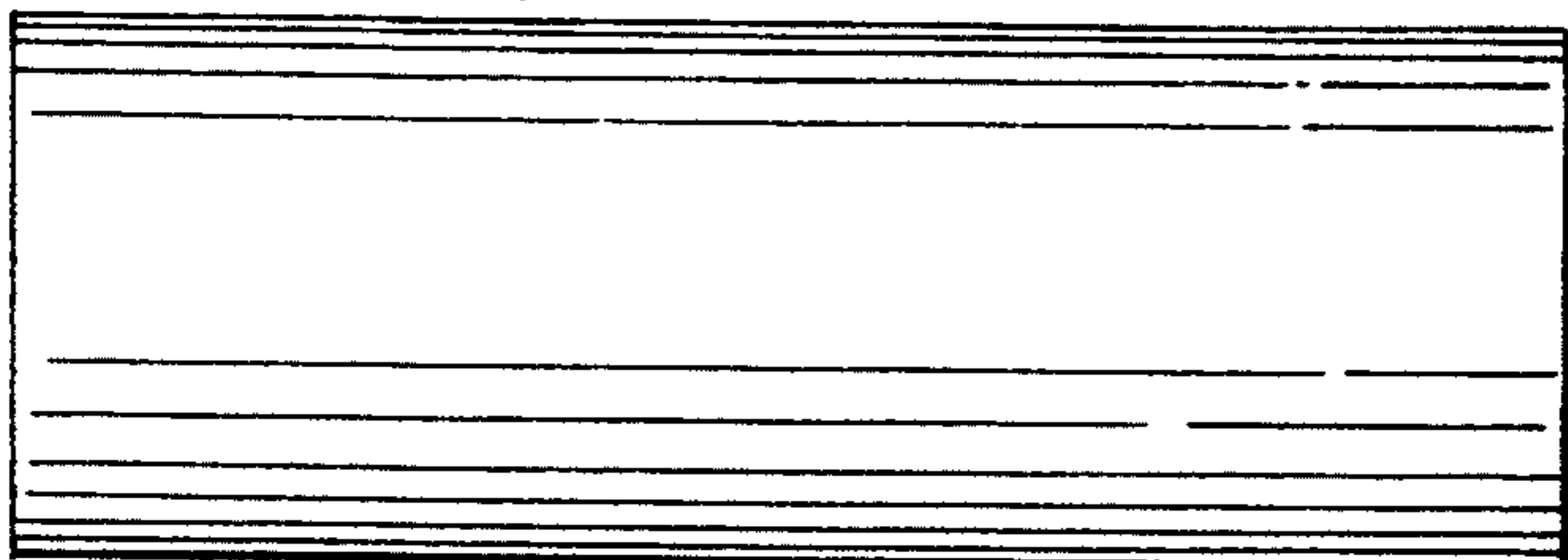


FIG. 5

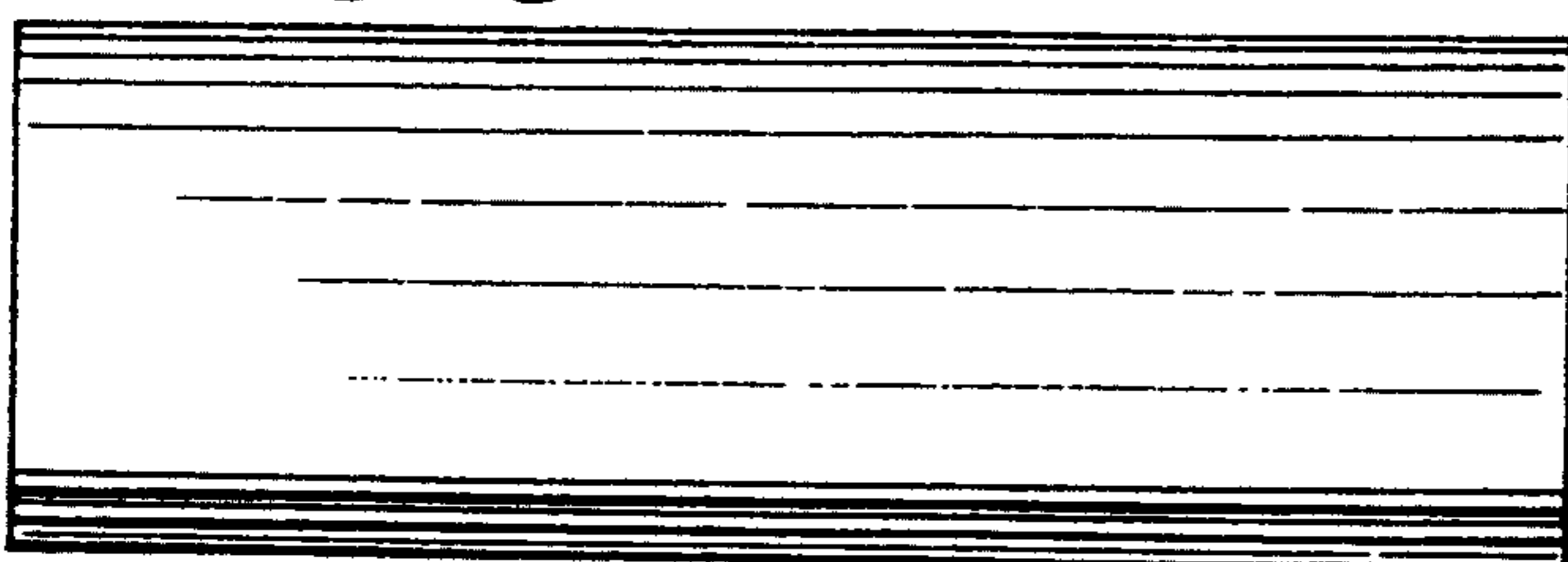


FIG. 6

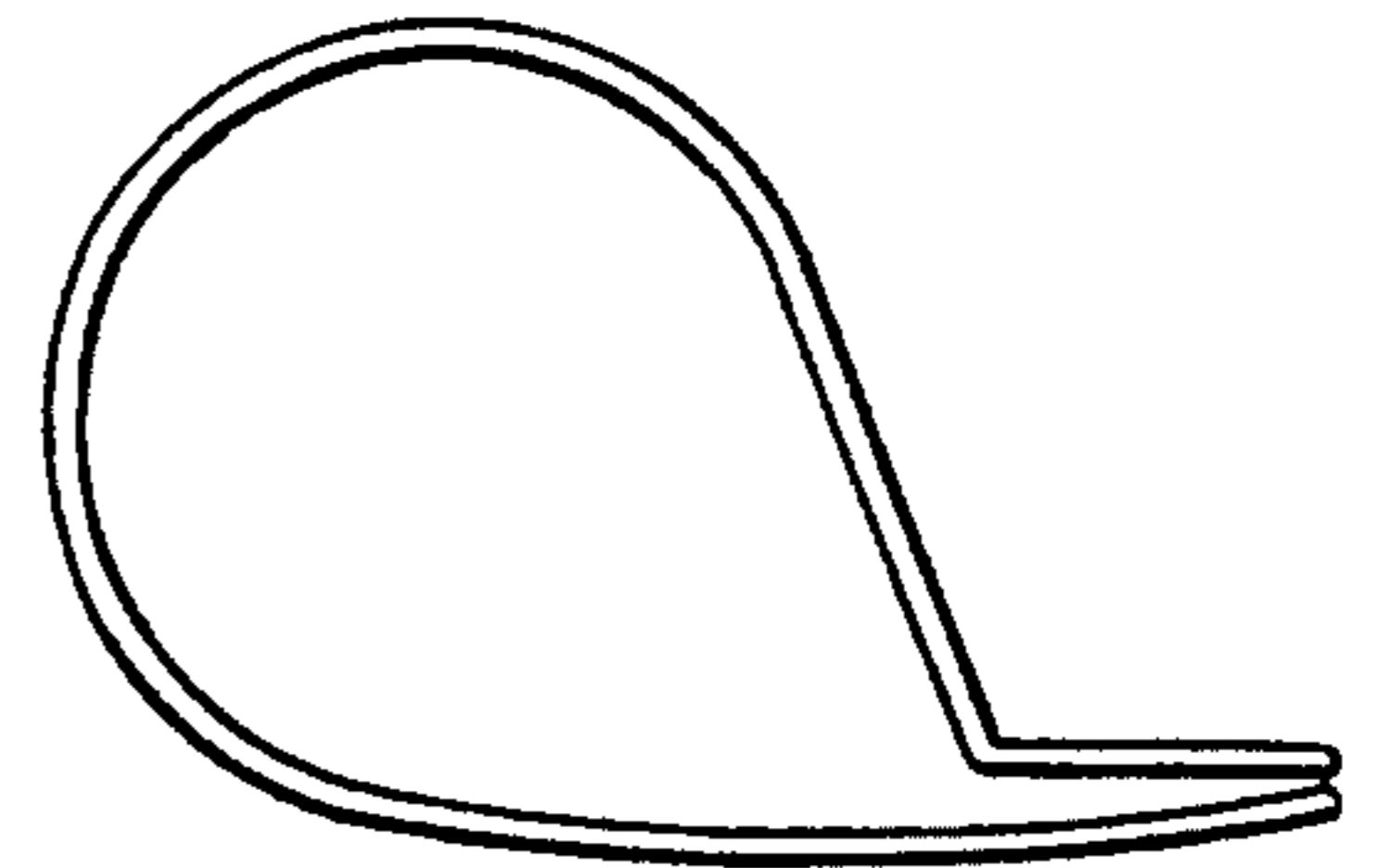


FIG. 7

