



US00D351190S

# United States Patent [19]

[11] Patent Number: **Des. 351,190**

Oshima et al.

[45] Date of Patent: **\*\* Oct. 4, 1994**

[54] **INK CARTRIDGE**  
[75] Inventors: **Keiichi Oshima; Seiji Mochizuki; Masanori Yoshida; Masahiro Nakamura**, all of Nagano, Japan

5,162,817 11/1992 Tijika et al. .... 346/140 R  
5,187,498 2/1993 Burger ..... 346/140 R  
5,231,425 7/1993 Masuda et al. .... 346/140 R  
5,267,801 12/1993 Huang ..... D18/56

[73] Assignee: **Seiko Epson Corporation**, Tokyo, Japan

### FOREIGN PATENT DOCUMENTS

0043569 3/1986 Japan ..... 346/140 R  
0000514 1/1990 Japan ..... 346/140 R  
5000514 1/1993 Japan ..... 346/140 R  
5008387 1/1993 Japan ..... 346/140 R

[\*\*] Term: **14 Years**

[21] Appl. No.: **5,876**

*Primary Examiner*—Cathy Anne MacCormac  
*Attorney, Agent, or Firm*—Stroock & Stroock & Lavan

[22] Filed: **Mar. 16, 1993**

### [30] Foreign Application Priority Data

Sep. 16, 1992 [JP] Japan ..... 4-27232

[52] U.S. Cl. .... **D18/56**

[58] Field of Search ..... 101/364; 400/208, 234;  
346/140 R; D18/12, 56

### [57] CLAIM

The ornamental design for an ink cartridge, as shown and described.

### [56] References Cited

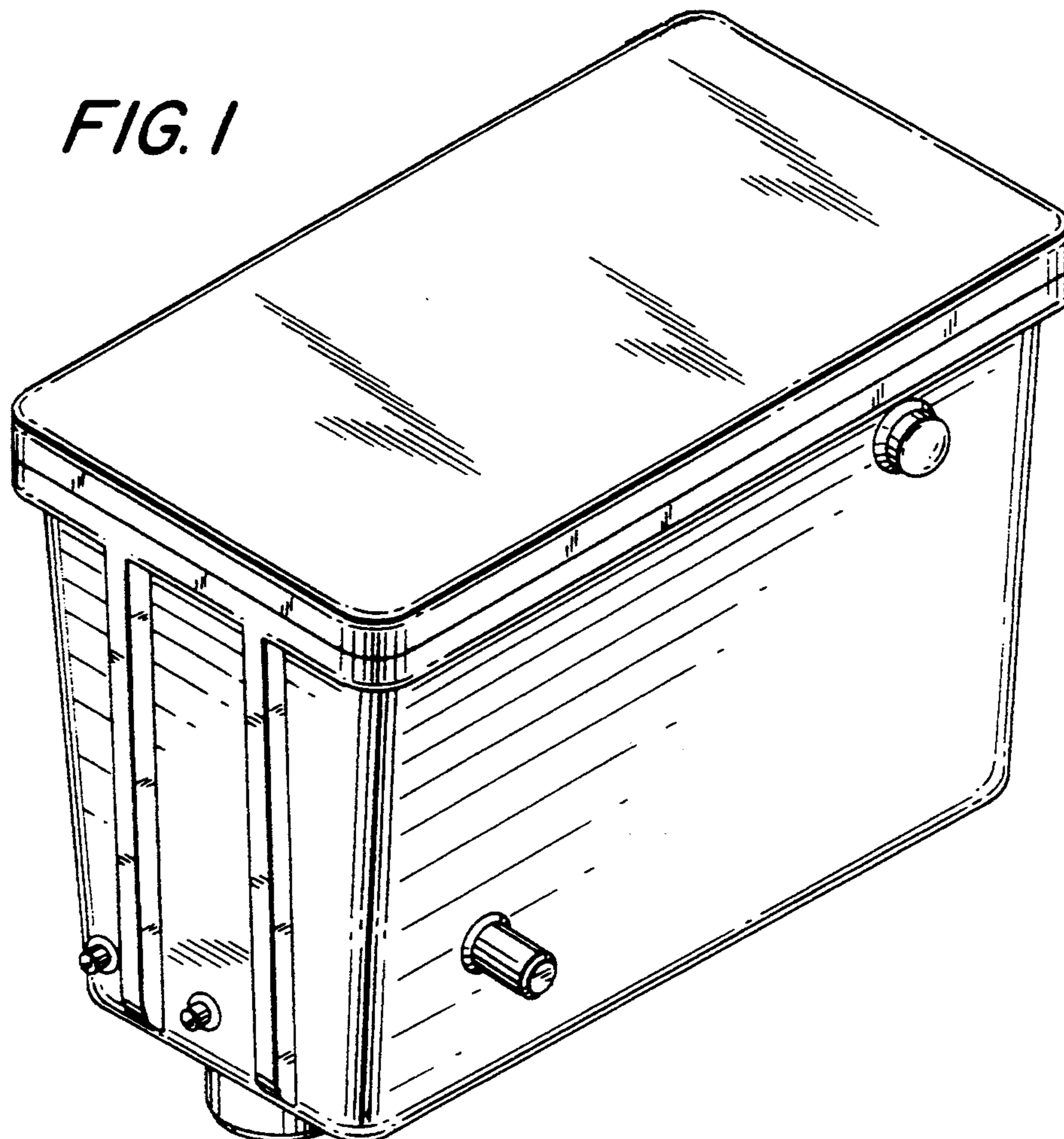
#### U.S. PATENT DOCUMENTS

D. 279,581 7/1985 Juliana et al. .... D18/56  
4,131,899 12/1978 Christou ..... 346/140 R  
4,183,031 1/1980 Kyser et al. .... 346/140 R  
4,491,433 1/1985 Shiurila et al. .... 101/364  
5,119,115 6/1992 Boat et al. .... 346/140 R

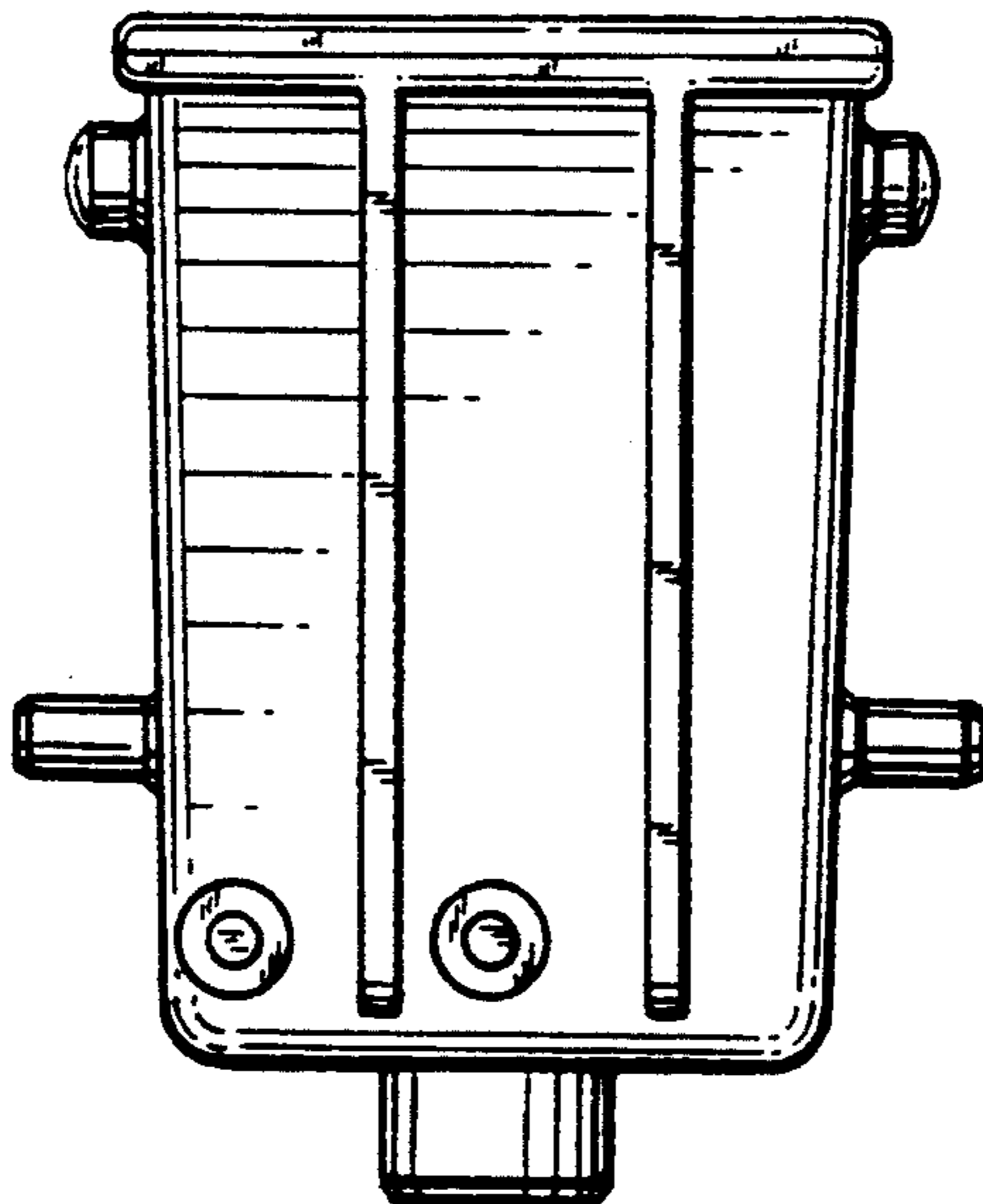
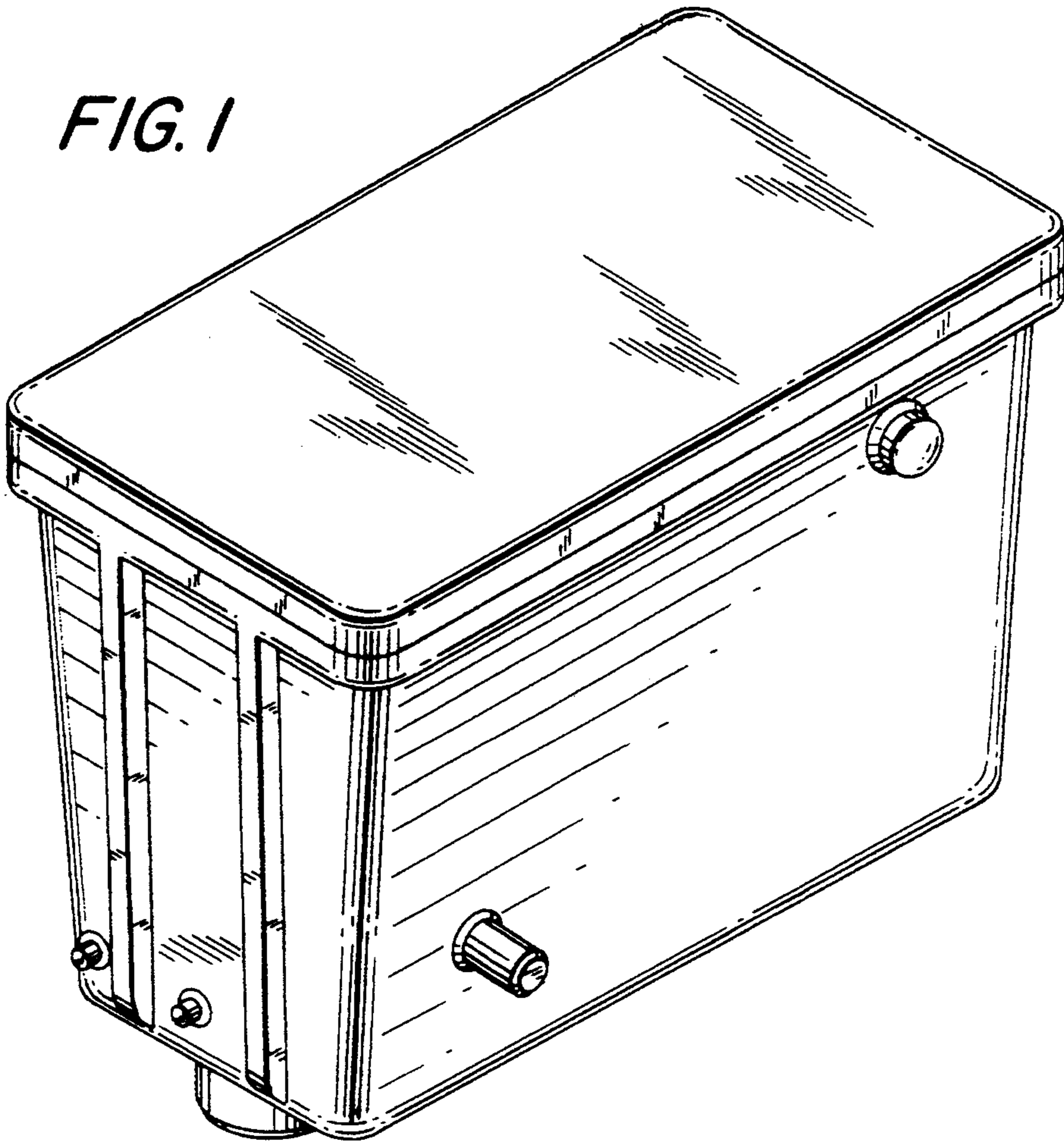
### DESCRIPTION

FIG. 1 is a front perspective view of the ink cartridge in accordance with our new design;  
FIG. 2 is a front elevational view thereof;  
FIG. 3 is a top plan view thereof;  
FIG. 4 is a left side view thereof;  
FIG. 5 is a right side view thereof;  
FIG. 6 is a rear elevational view thereof; and,  
FIG. 7 is a bottom plan view thereof.

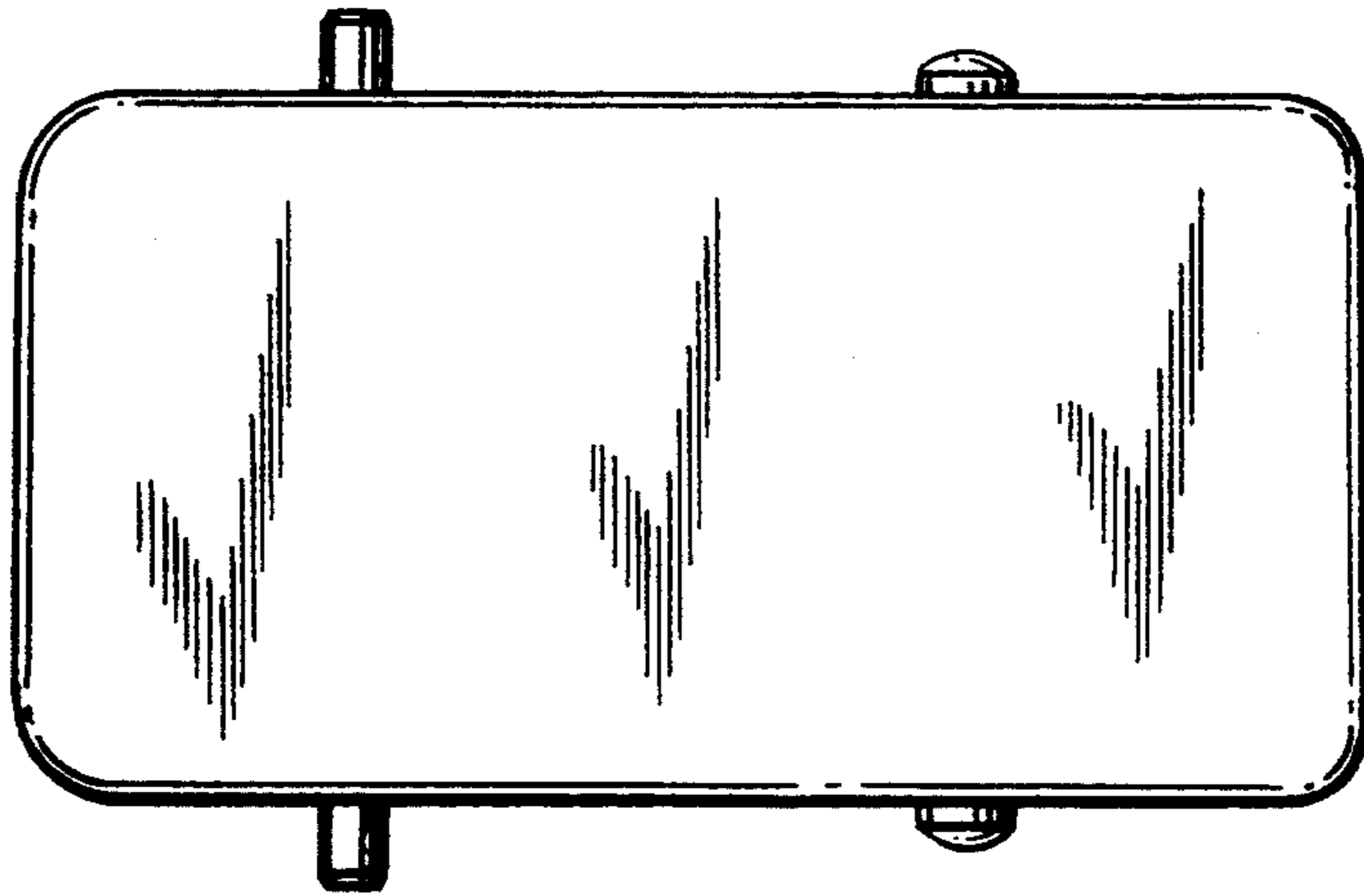
## FIG. 1



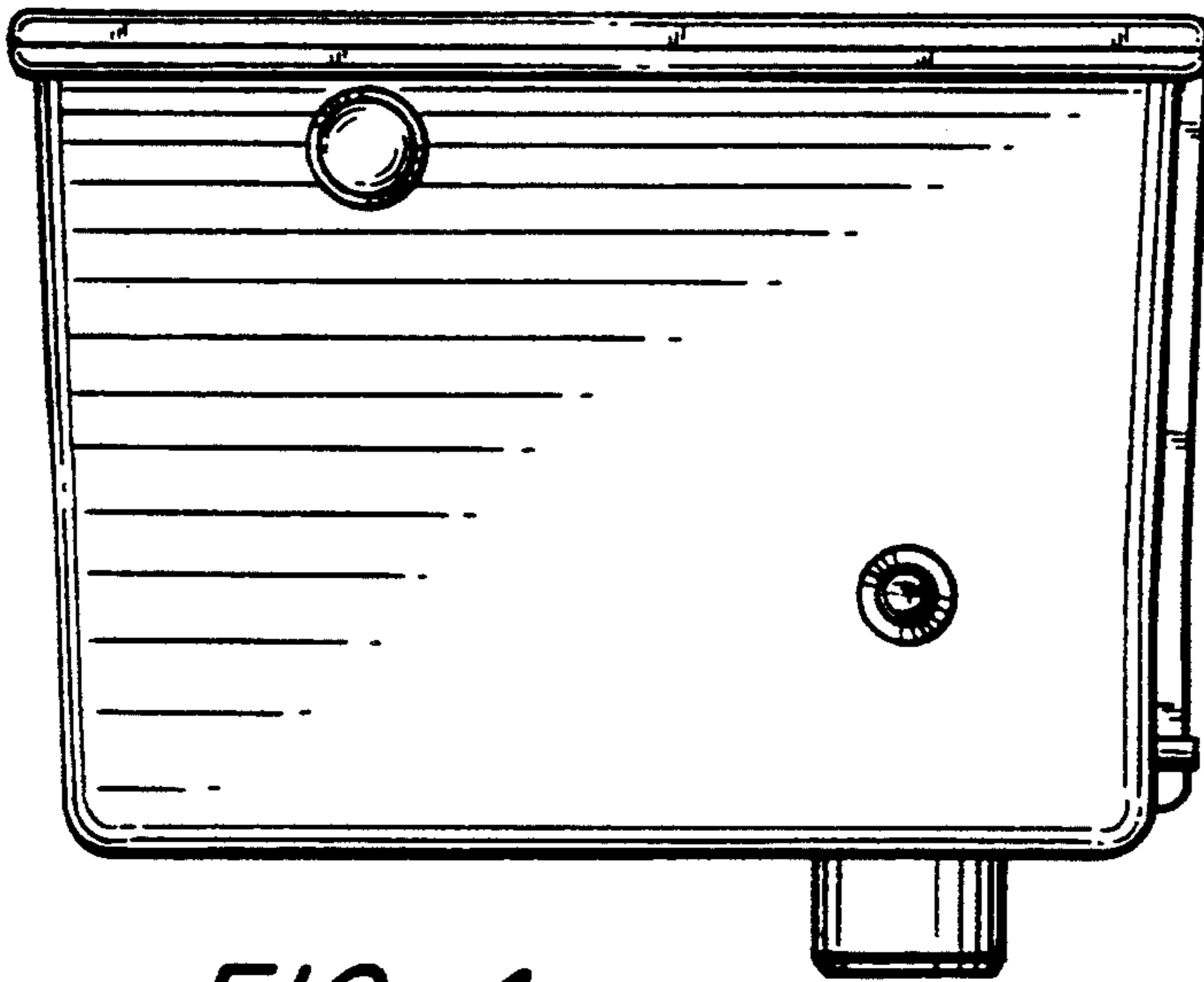
*FIG. 1*



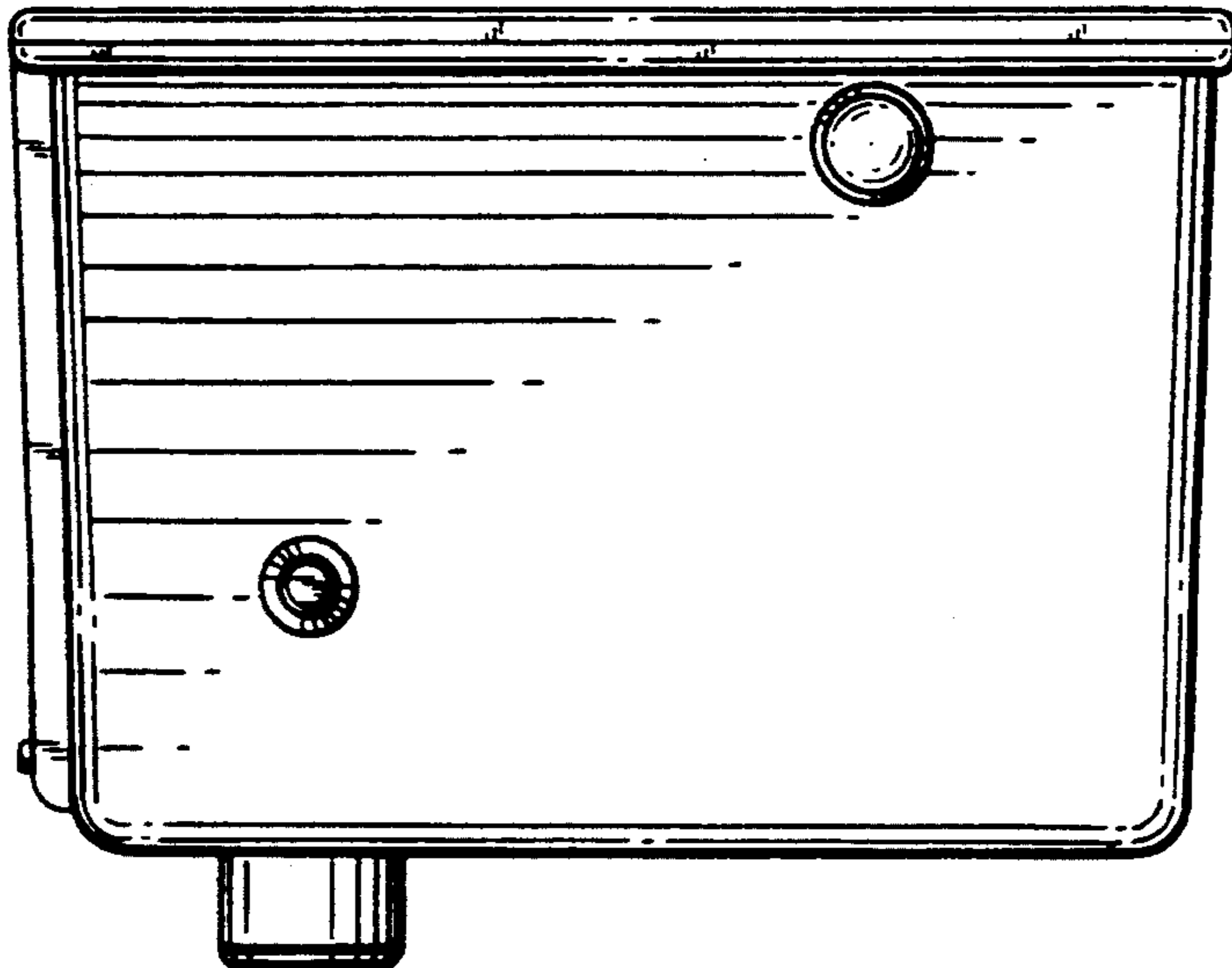
*FIG. 2*



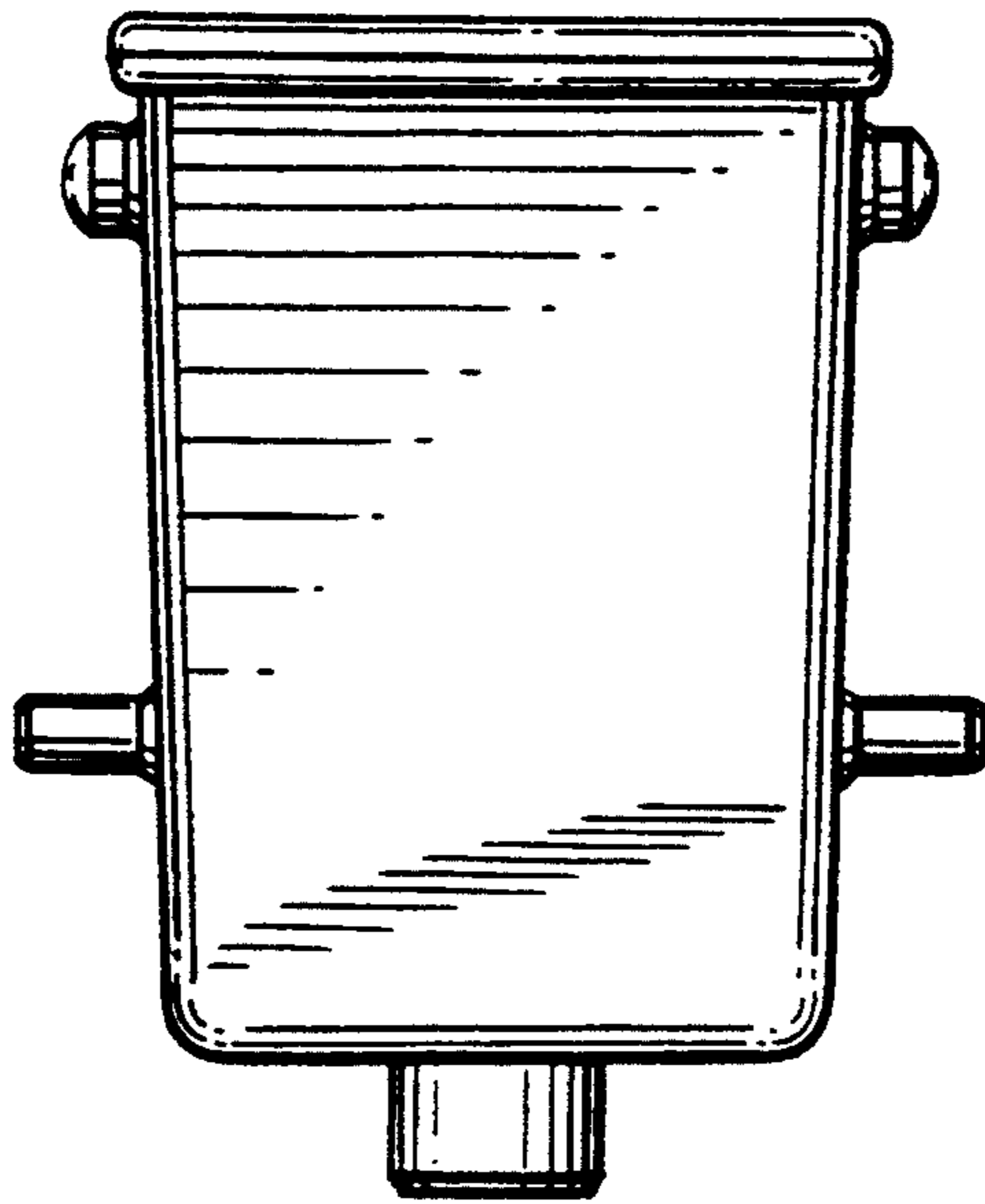
*FIG. 3*



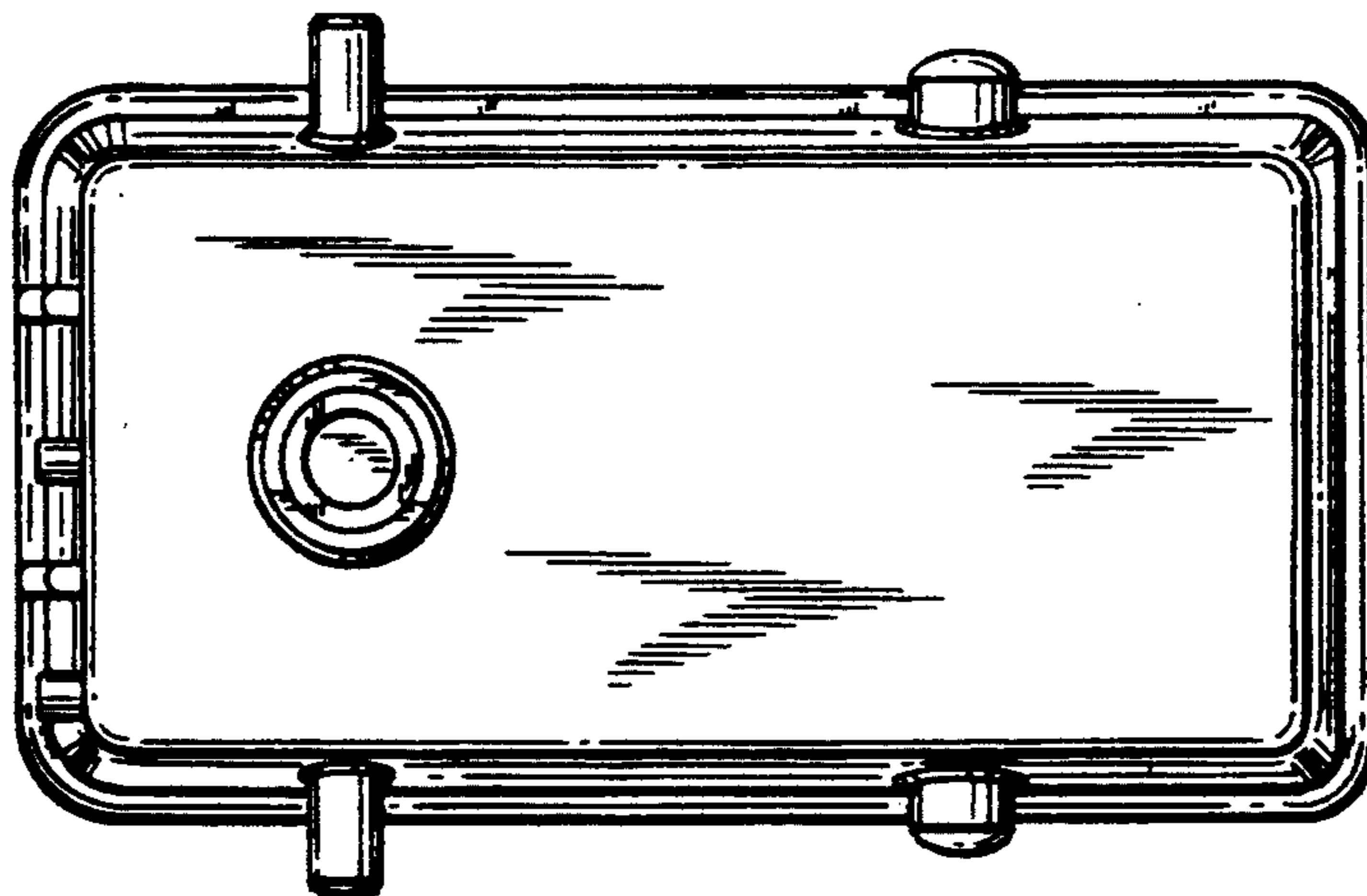
*FIG. 4*



*FIG. 5*



*FIG. 6*



*FIG. 7*