



US00D351188S

# United States Patent [19]

Hiraishi et al.

[11] Patent Number: Des. 351,188

[45] Date of Patent: \*\* Oct. 4, 1994

[54] OFFSET PRINTING MACHINE

4,960,049 10/1990 Mimura et al. .... 101/217  
4,976,197 12/1990 Yamanari et al. .... 101/184

[75] Inventors: Etsuo Hiraishi, Tokyo; Hideo Aoyama; Katsushi Hirokawa, both of Hiroshima, all of Japan

### FOREIGN PATENT DOCUMENTS

5714181 7/1986 Japan ..... D18/et al.

[73] Assignee: Ryobi Ltd., Hiroshima, Japan

### OTHER PUBLICATIONS

[\*] Notice: The portion of the term of this patent subsequent to Sep. 13, 2008 has been disclaimed.

Lithoweek Magazine; Oct. 1987; p. 14; Roland 200 two-colour sheet fed offset Press.

Lithoweek Magazine, Nov. 1987; p. 2; Ryobi 500 Series Printing Press.

[\*\*] Term: 14 Years

Multigraphics brochure for Multifeeder Auxiliary Feeder; 1981; AM International, Inc.; p. 2.

[21] Appl. No.: 2,717

Lithoweek Supplement; Dec. 1987; p. 8; Komori 526 Single Colour Press.

[22] Filed: Dec. 17, 1992

Lithoweek Magazine; Dec. 1987; p. 22; Soag Dominant 515 Press by Soag Machinery Limited advertisement.

### [30] Foreign Application Priority Data

Jun. 19, 1992 [JP] Japan ..... 4-18228

[52] U.S. Cl. .... D18/53

[58] Field of Search ..... 101/136-137,  
101/140-142, 145, 177, 183-185, 216-218, 232;  
D18/50, 53

Primary Examiner—Cathy Anne MacCormac

Attorney, Agent, or Firm—Sughrue, Mion, Zinn,  
Macpeak & Seas

### [57] CLAIM

The ornamental design for an offset printing machine, as shown and described.

### [56] References Cited

#### U.S. PATENT DOCUMENTS

- D. 265,210 6/1982 Hitaishi et al. .... D18/53
- D. 265,914 8/1982 Hiraishi et al. .... D18/53
- D. 277,767 2/1985 Sakamoto et al. .... D18/53
- D. 323,844 2/1992 Kitamura et al. .... D18/53
- D. 324,538 3/1992 Machara et al. .... D18/53
- D. 324,696 3/1992 Doi et al. .... D18/53
- D. 324,876 3/1992 Machara et al. .... D18/53
- D. 332,797 1/1993 Shinmoto et al. .... D18/53
- 4,858,528 8/1989 Inouye et al. .... 101/177

#### DESCRIPTION

FIG. 1 is a front and right side perspective view of an offset printing machine showing our new design; FIG. 2 is a front elevational view thereof; FIG. 3 is a rear elevational view thereof; FIG. 4 is a top plan view thereof; FIG. 5 is a left side elevational view thereof; and, FIG. 6 is a right side elevational view thereof. The bottom is plain and unadorned.

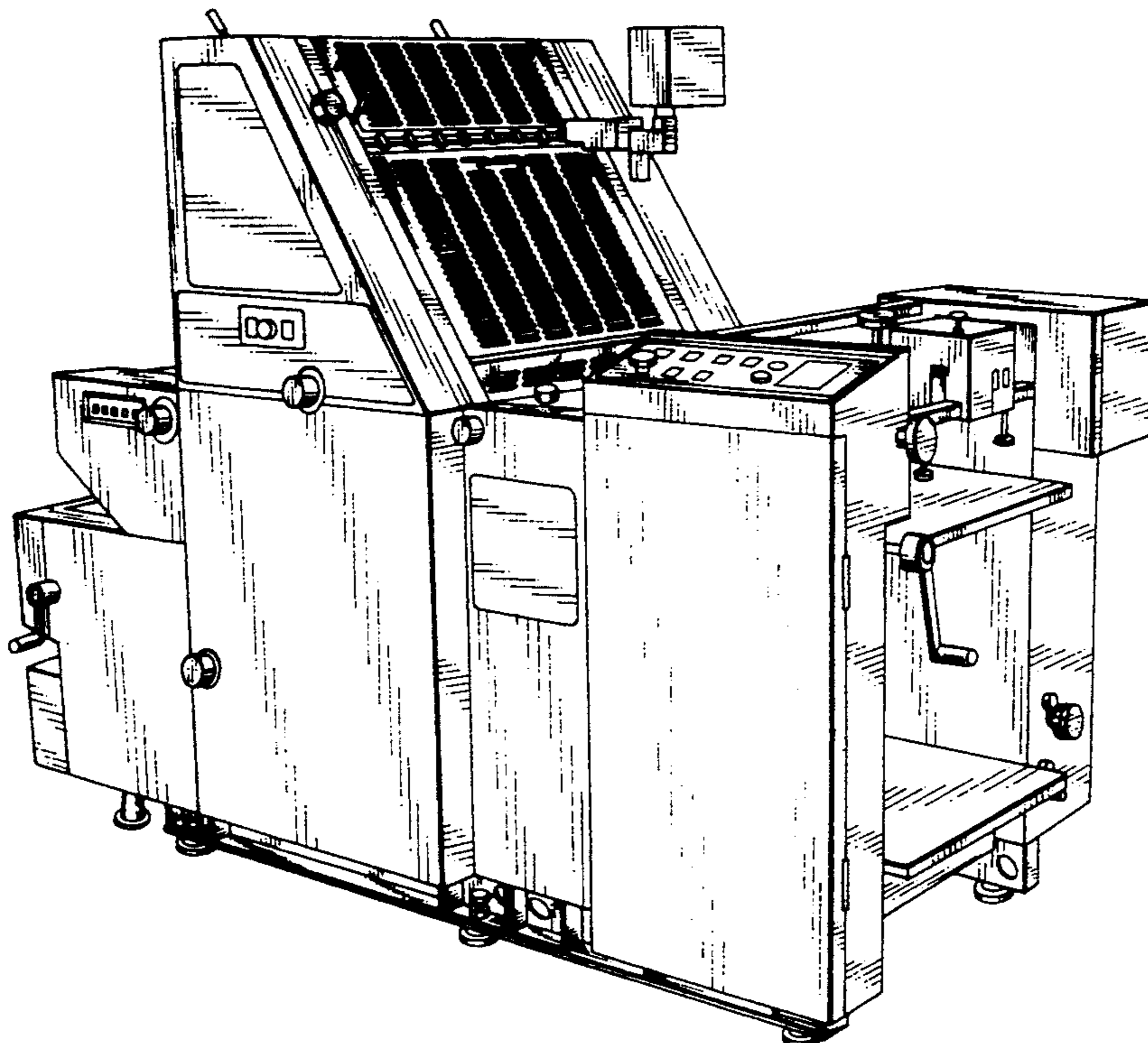


FIG. 1

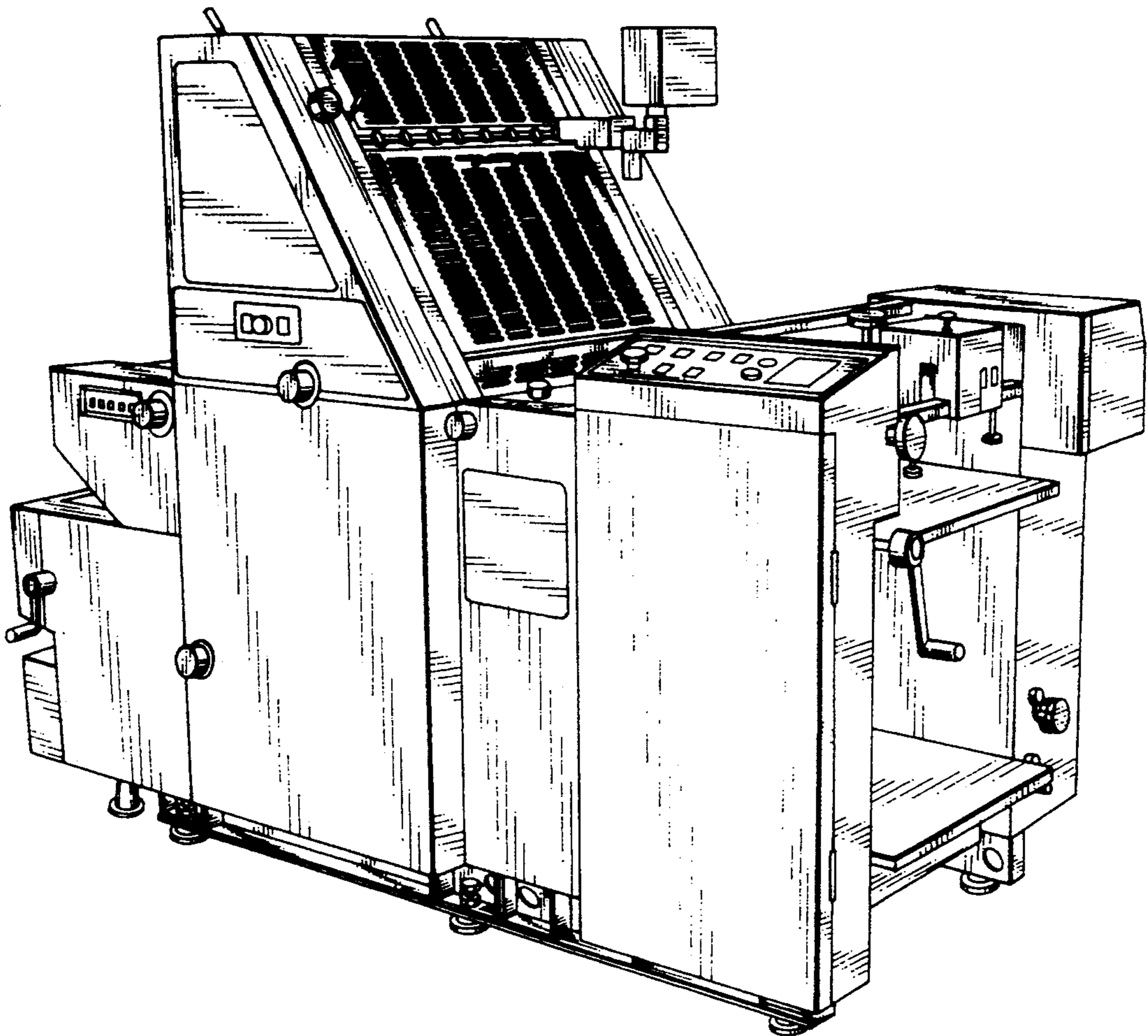


FIG. 2

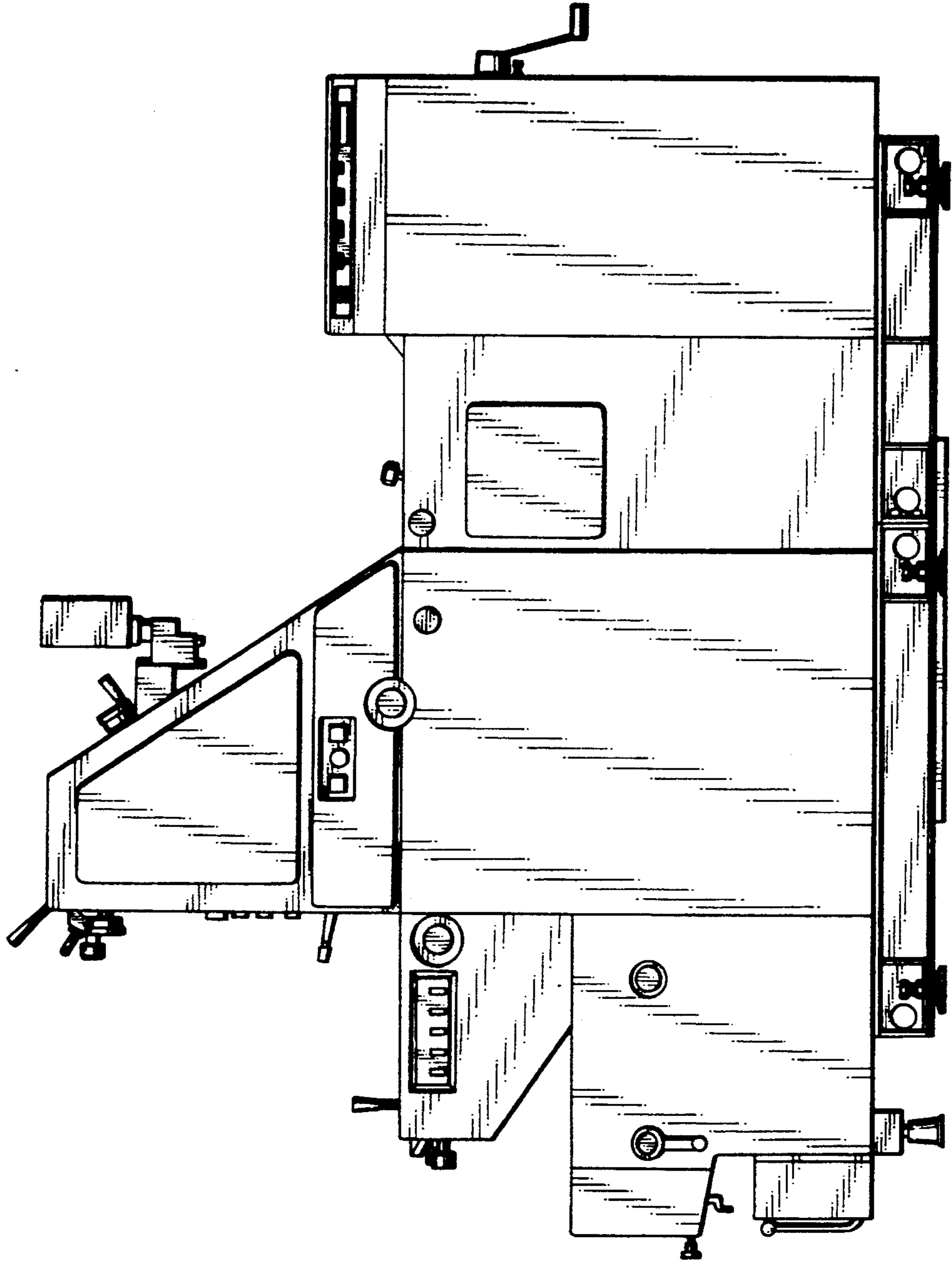


FIG. 3

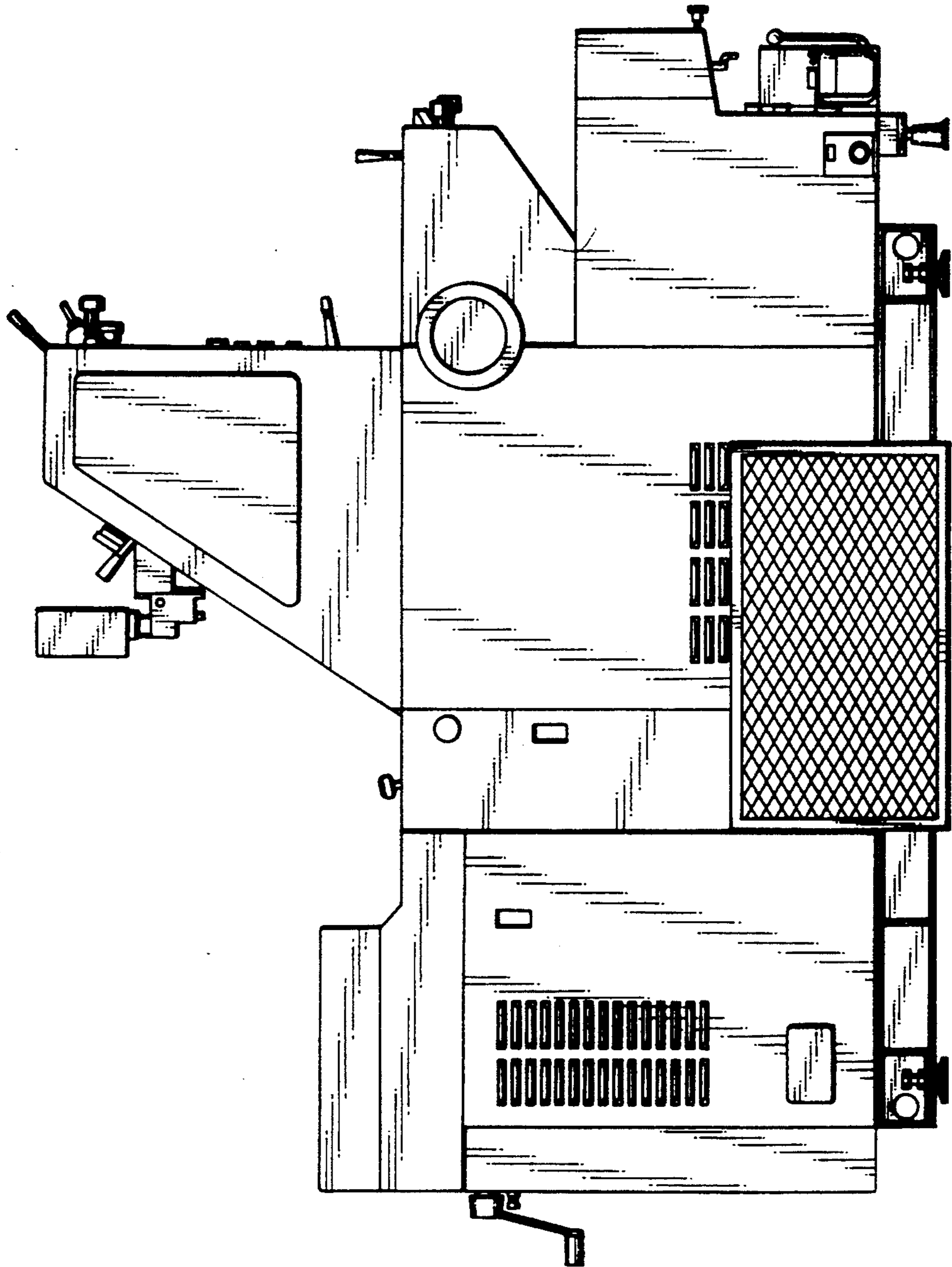


FIG. 4

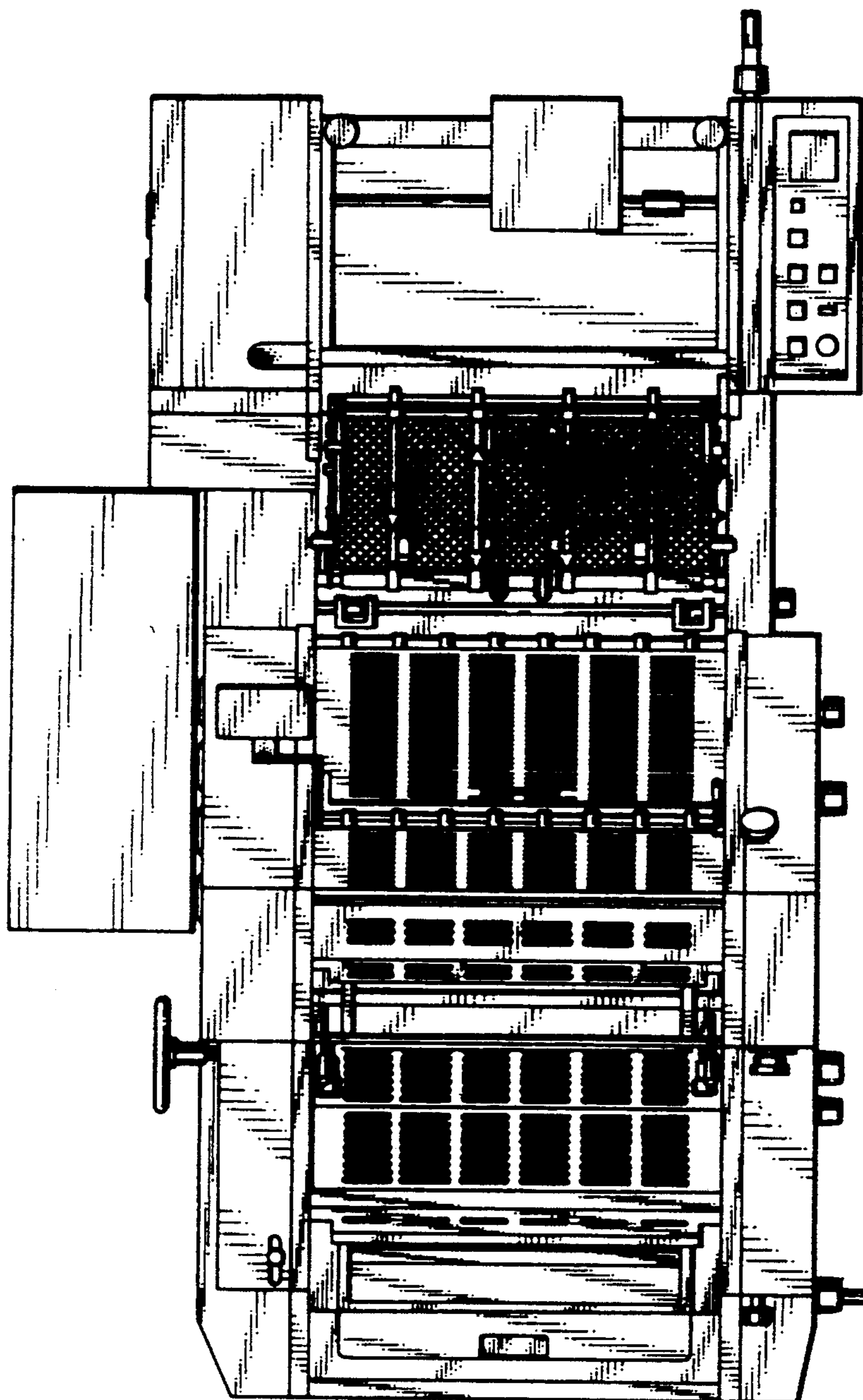


FIG. 5

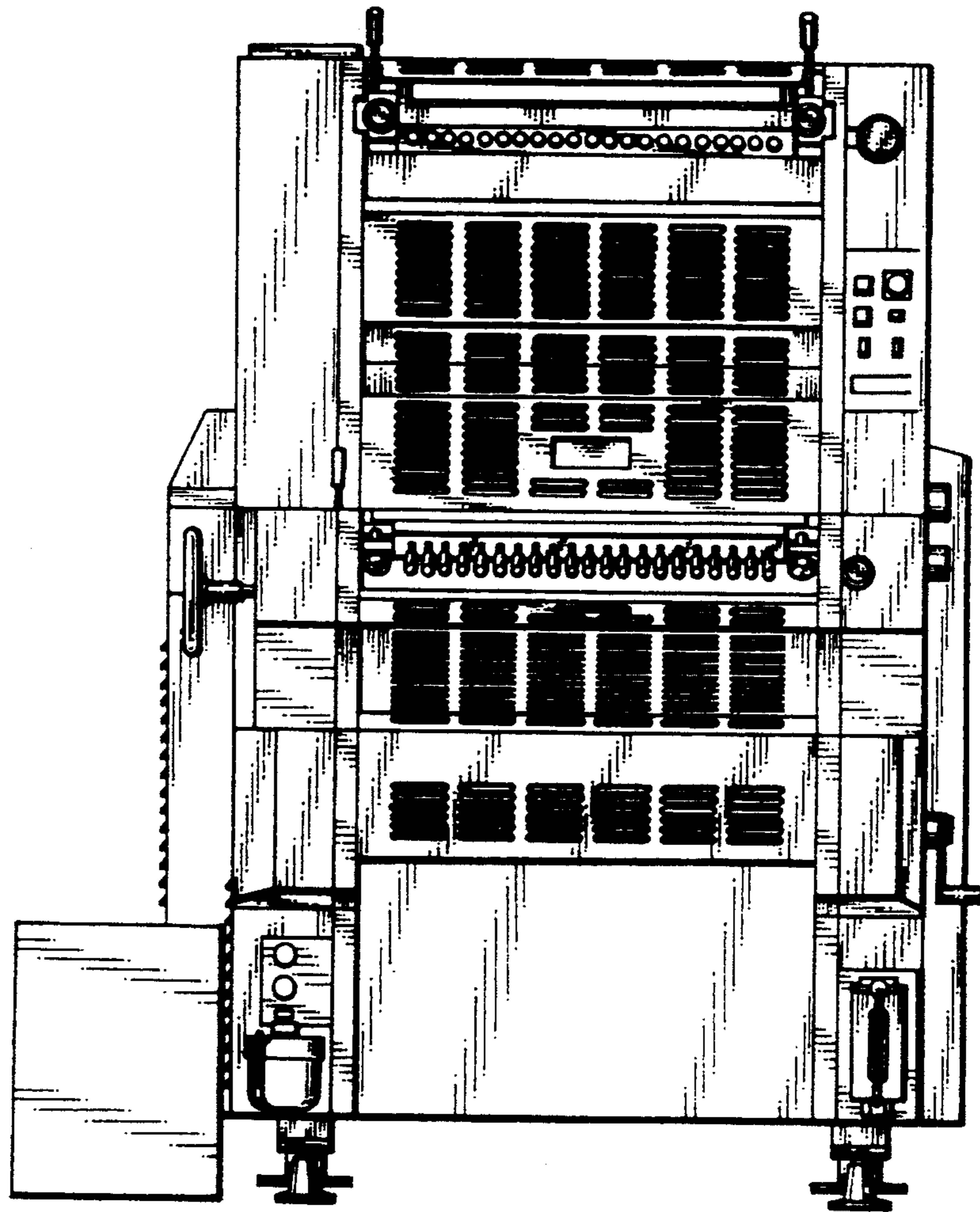


FIG. 6

