



US00D351187S

United States Patent [19]

[11] Patent Number: **Des. 351,187**

Suga

[45] Date of Patent: **** Oct. 4, 1994**

[54] **TONER CONTAINER FOR A COPYING MACHINE**

D. 164,677 10/1951 DuPree D9/545 X
D. 305,984 2/1990 Alberghini et al. D9/552 X
D. 332,280 1/1993 Yoshida et al. D18/40 X

[75] Inventor: **Takayuki Suga**, Tokyo, Japan

Primary Examiner—Alan P. Douglas

[73] Assignee: **Kabushiki Kaisha Toshiba**, Kawasaki, Japan

Assistant Examiner—Caron D. Veynar

[**] Term: **14 Years**

Attorney, Agent, or Firm—Oblon, Spivak, McClelland, Maier & Neustadt

[21] Appl. No.: **2,467**

[57] CLAIM

[22] Filed: **Dec. 9, 1992**

The ornamental design for a toner container for a copying machine, as shown.

[30] Foreign Application Priority Data

DESCRIPTION

Oct. 8, 1992 [JP] Japan 4-29224

[52] U.S. Cl. **D18/43; D18/40**

[58] Field of Search D9/500, 503, 545, 549, D9/552, 555, 558, 565; 118/657, 653; 141/1; 206/216, 316, 446, 461, 467; 222/DIG. 1, 166, 240, 325, 541; 355/298, 200, 245, 260; D18/43, 22, 40

FIG. 1 is a front elevational view of a toner container for a copying machine, showing my new design; FIG. 2 is a right side elevational view thereof; FIG. 3 is a rear elevational view thereof; FIG. 4 is a top plan view thereof; FIG. 5 is a bottom plan view thereof; FIG. 6 is a side elevational view thereof; FIG. 7 is an enlarged cross-sectional view thereof, taken along line 7—7 of FIG. 6; FIG. 8 is an enlarged cross-sectional view thereof, taken along line 8—8 of FIG. 1; and, FIG. 9 is a top plan view thereof showing the toner container with its cover opened.

[56] References Cited

U.S. PATENT DOCUMENTS

D. 34,919 8/1901 Nightingale D9/545
D. 100, 342 7/1936 Stevernagle D9/552
D. 110,705 8/1938 Koch D9/545

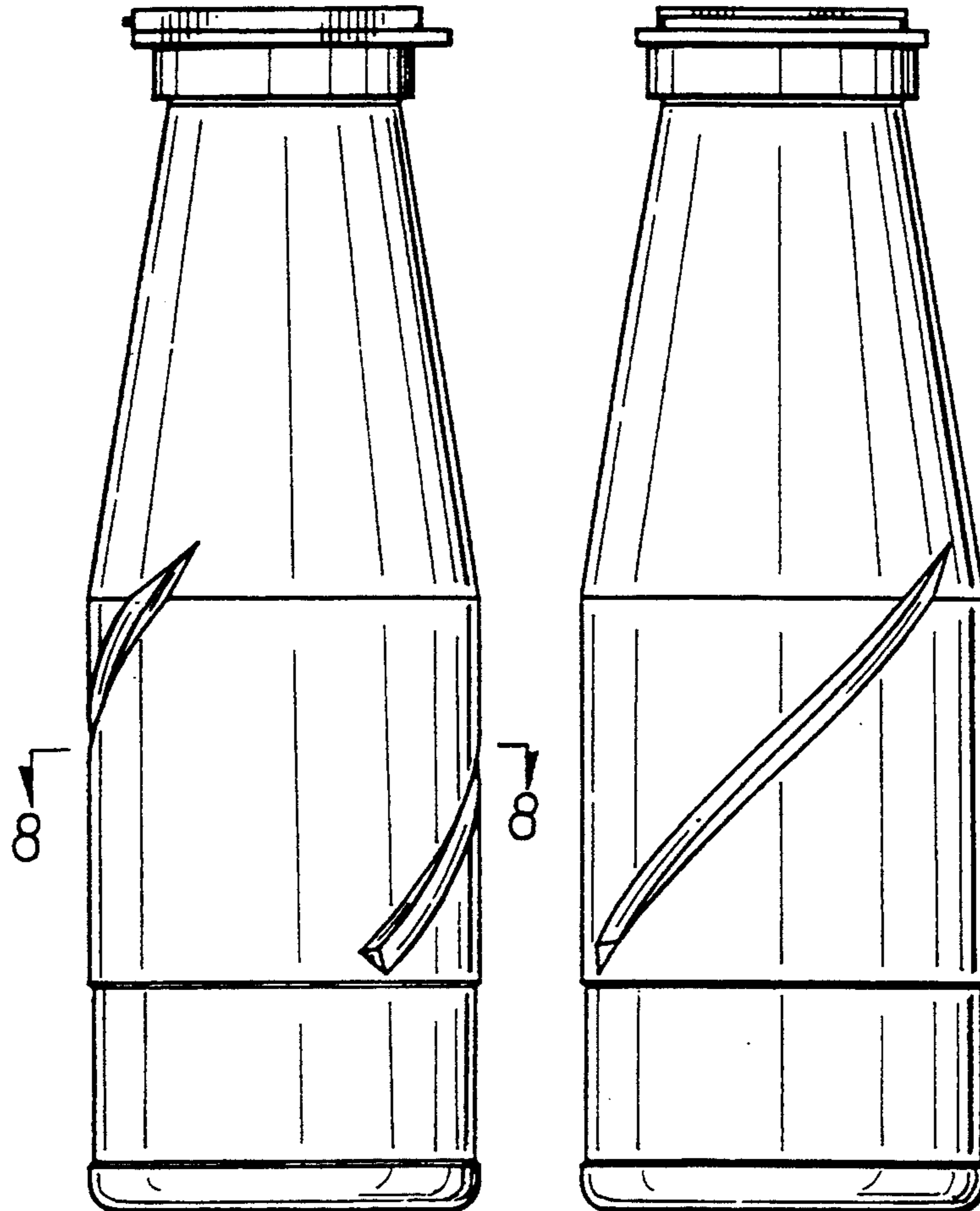


FIG. 1

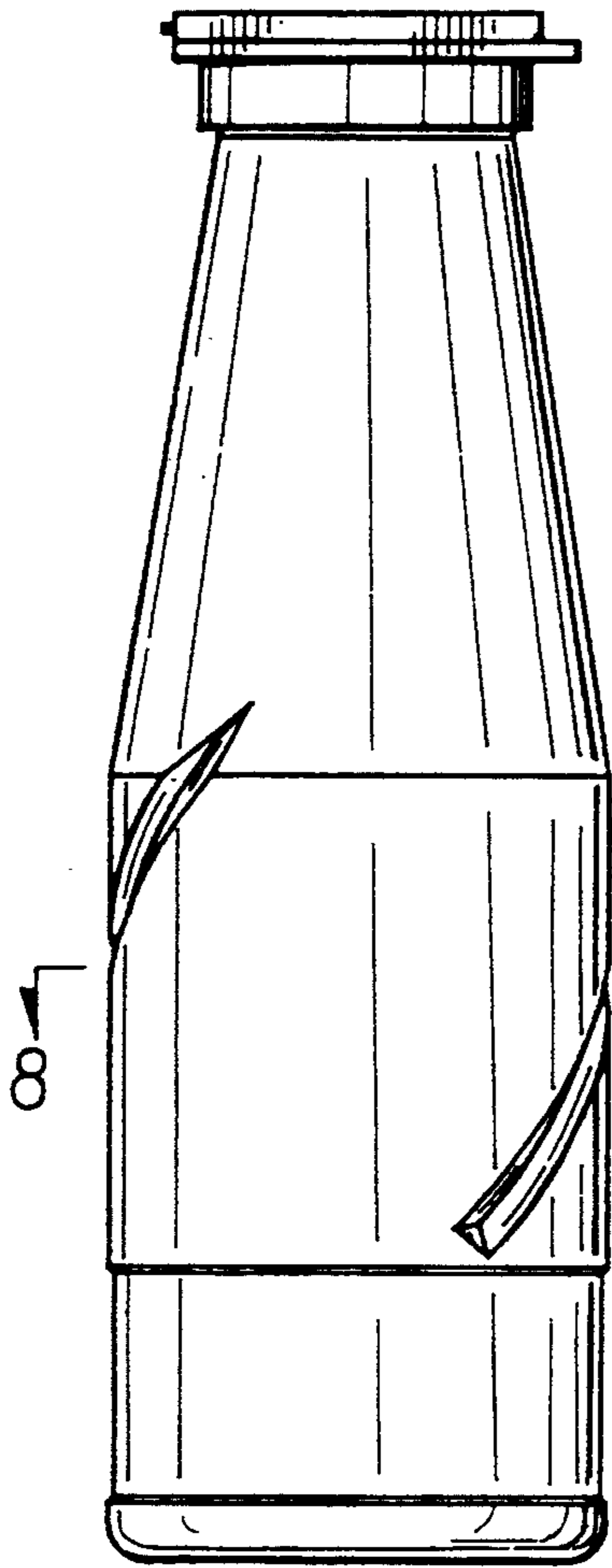


FIG. 2

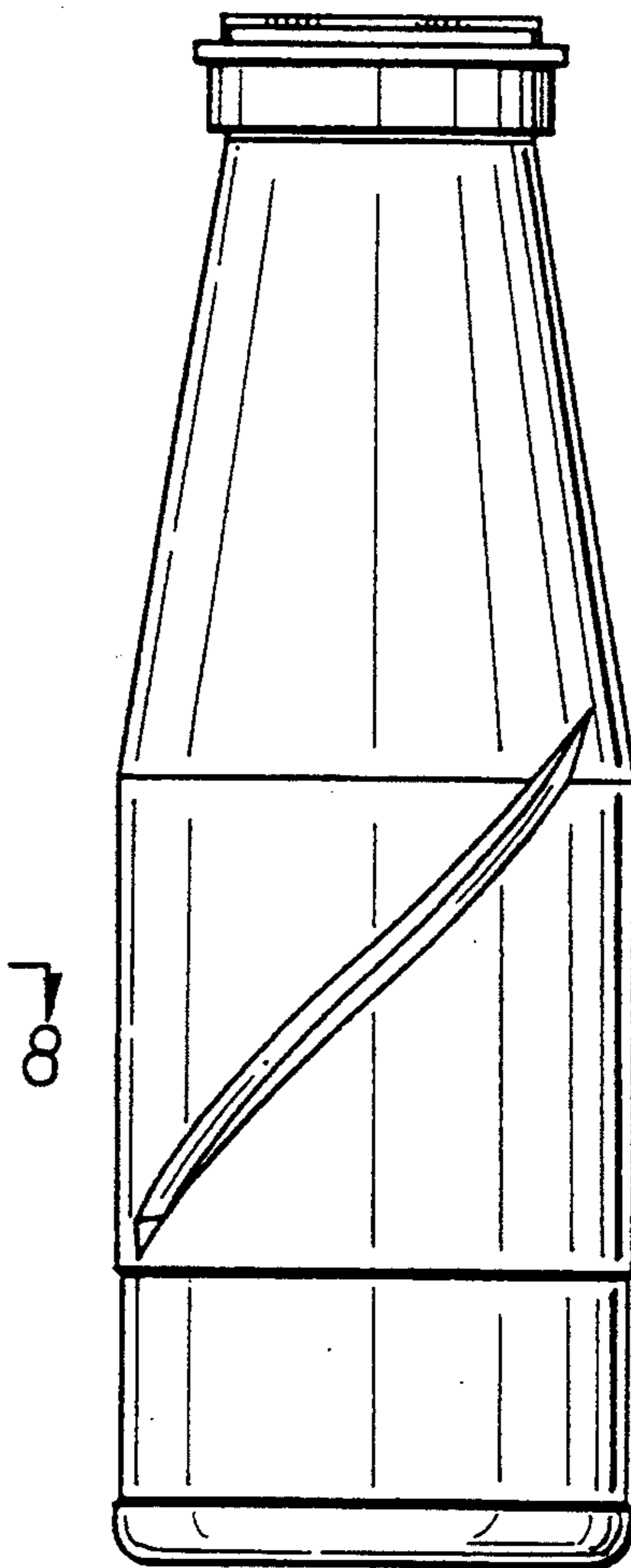


FIG. 3

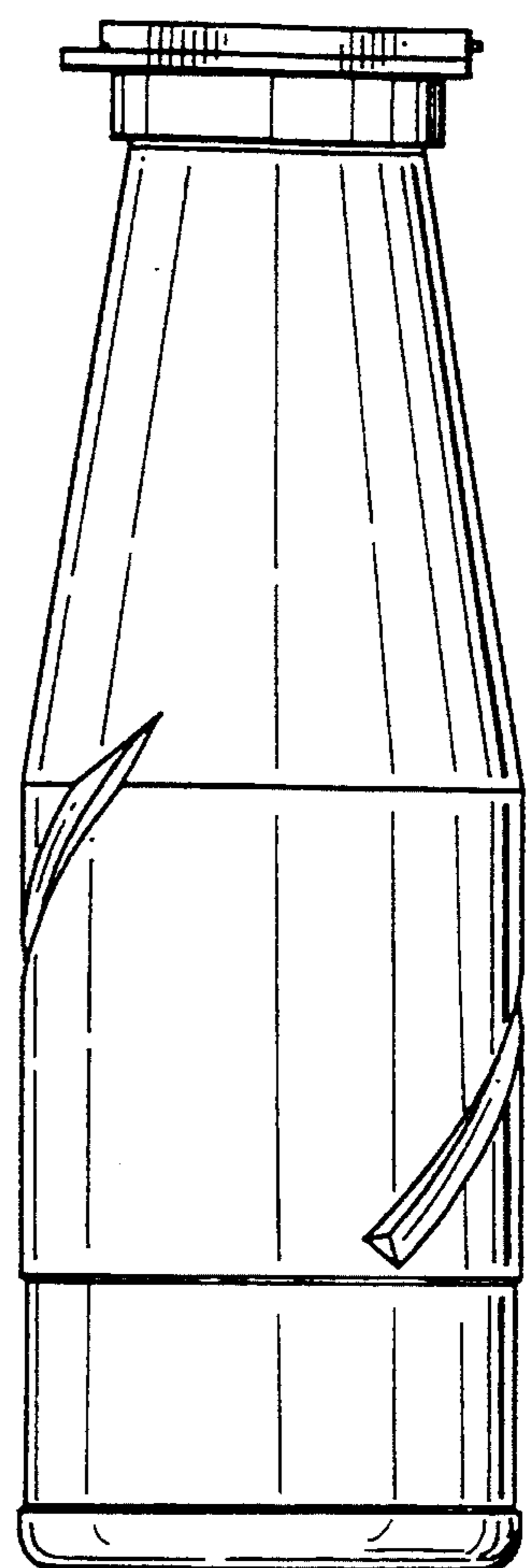


FIG. 4

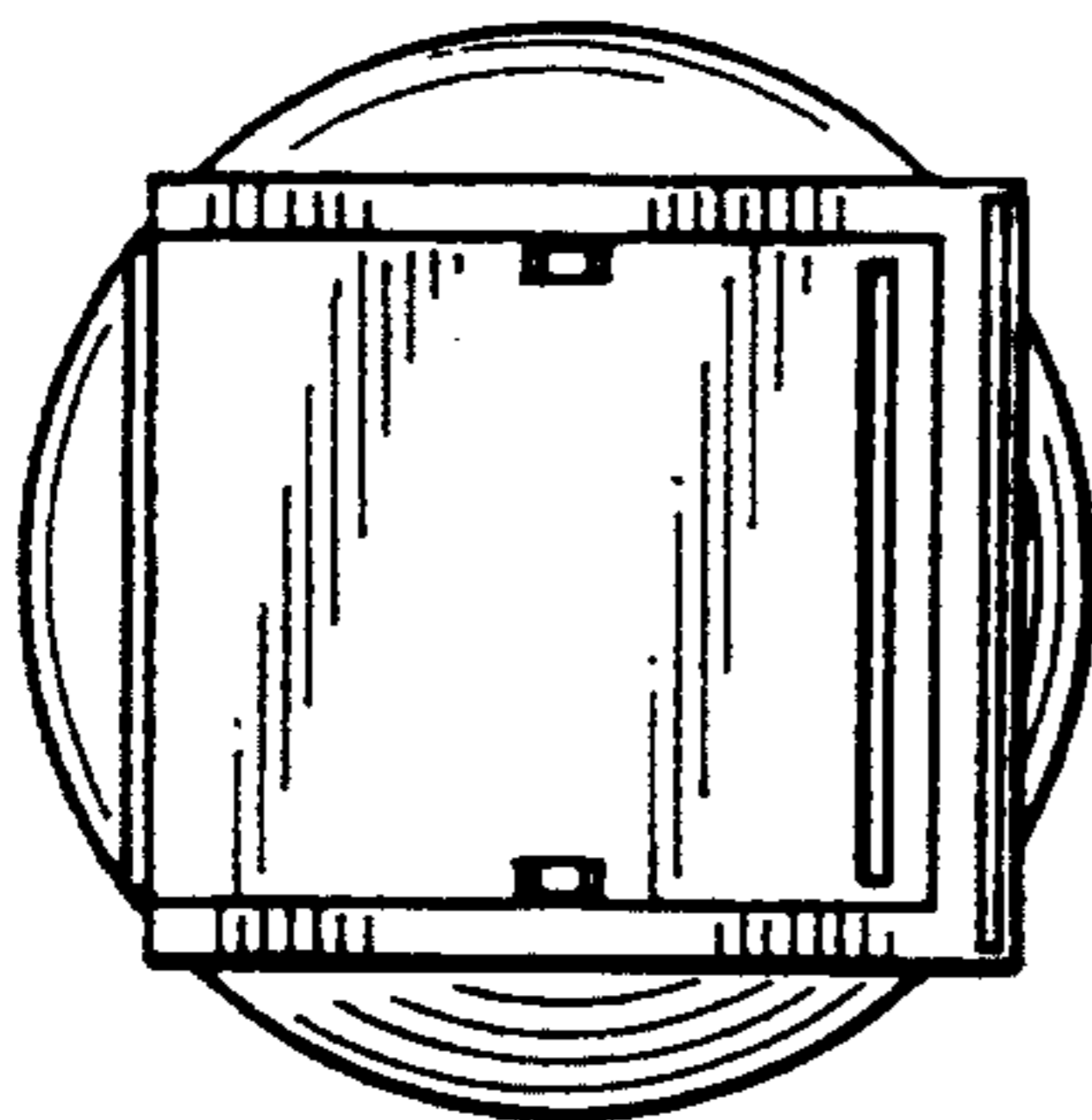


FIG. 5

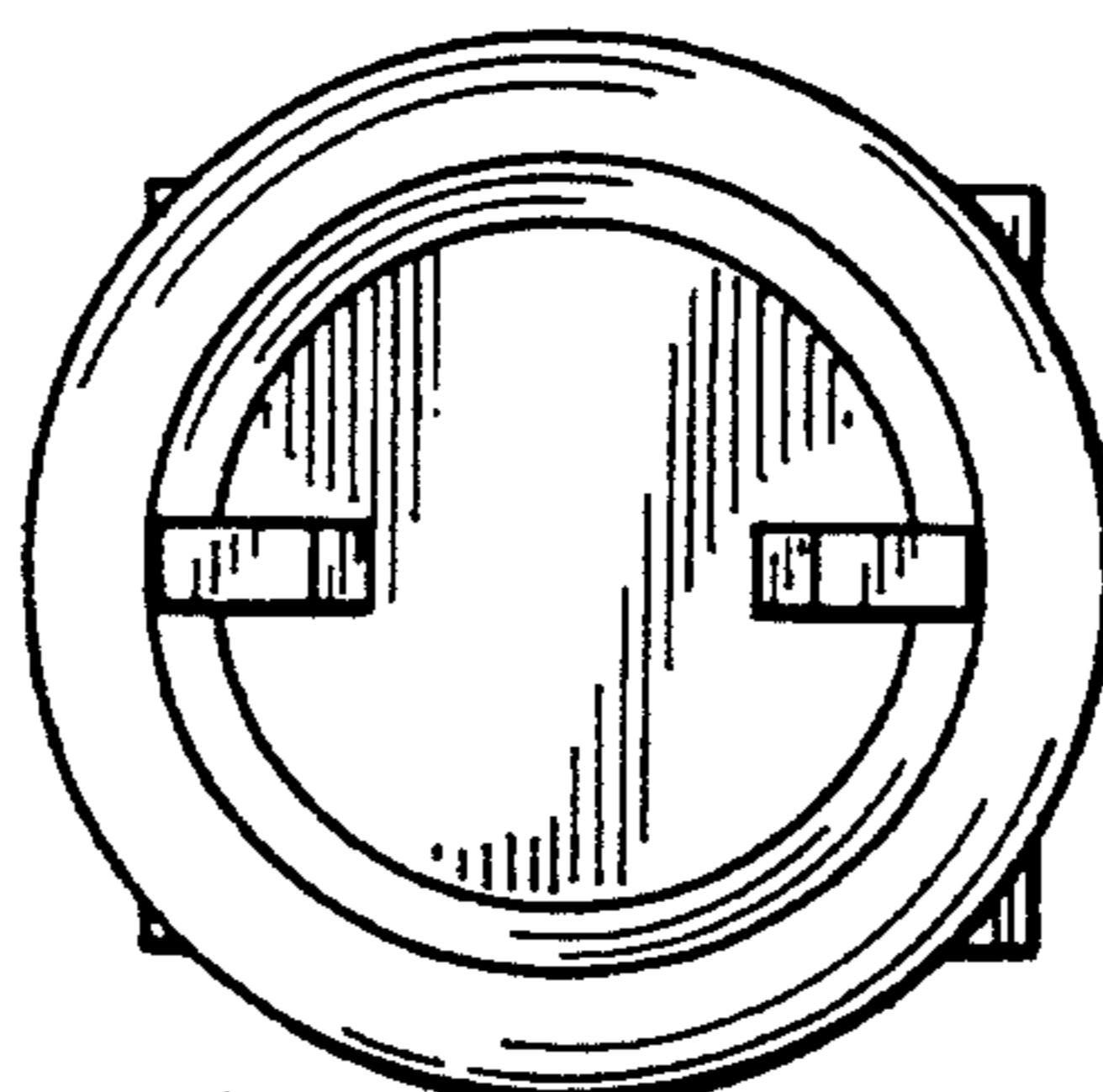


FIG. 6

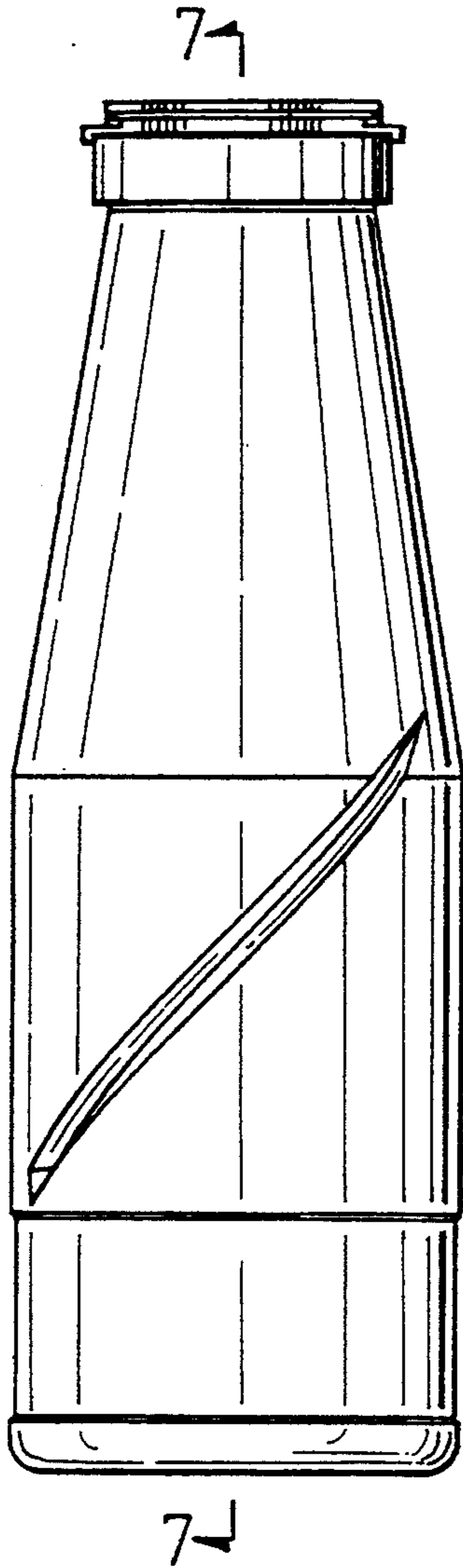


FIG. 7

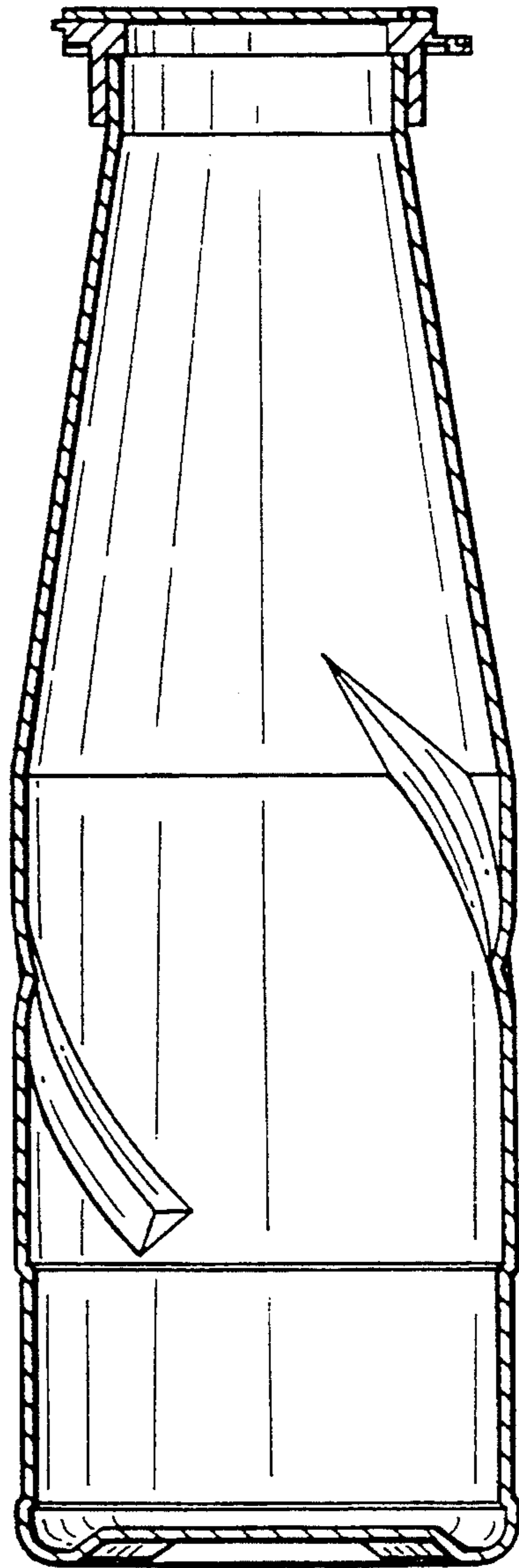


FIG. 8

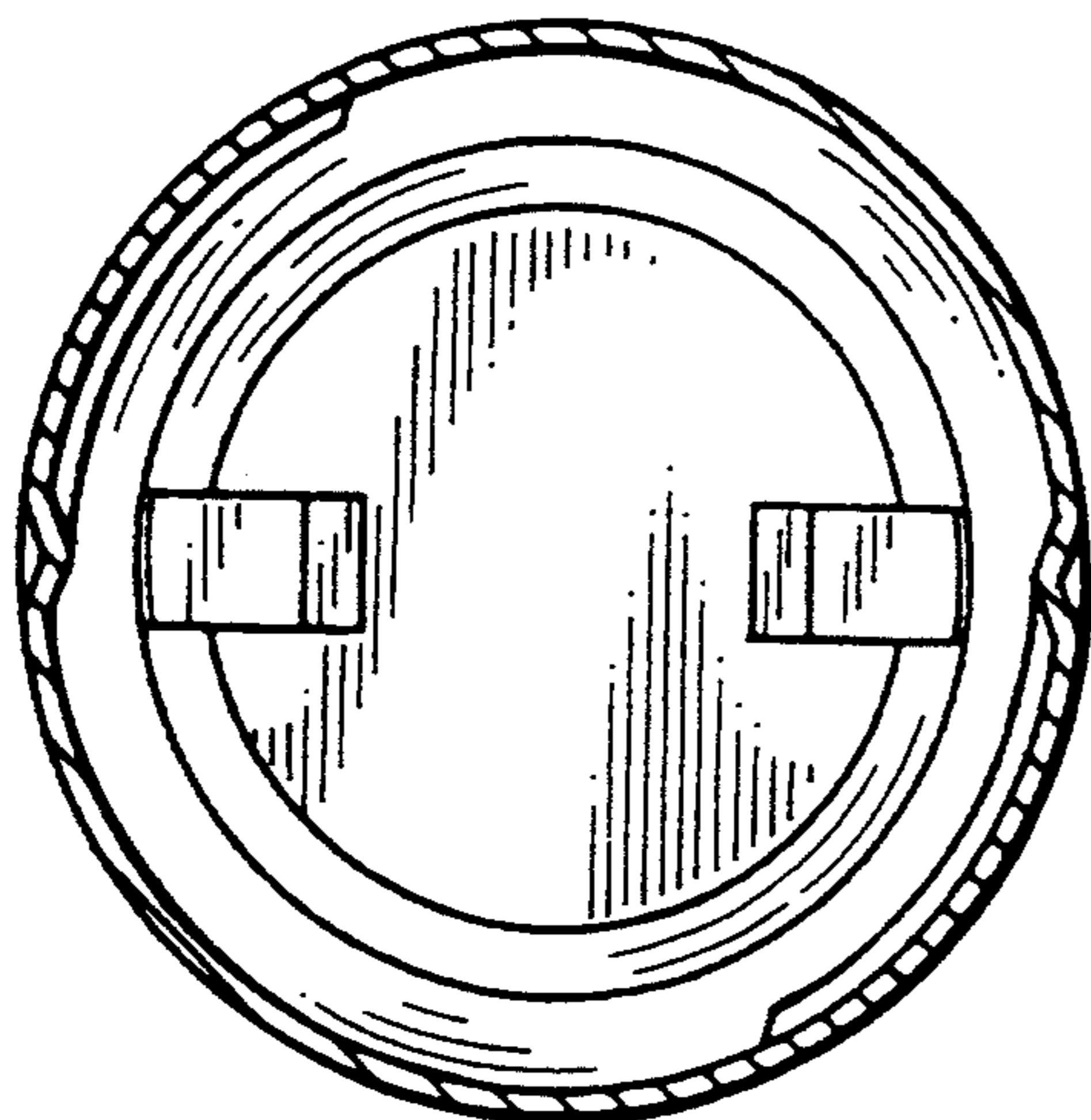


FIG. 9

