



US00D351183S

United States Patent [19]

[11] Patent Number: **Des. 351,183**

Ishiura

[45] Date of Patent: **** Oct. 4, 1994**

[54] **WORD PROCESSOR**

[75] Inventor: **Ryoichi Ishiura, Matsudo, Japan**

[73] Assignee: **Kabushiki Kaisha Toshiba, Kawasaki, Japan**

[**] Term: **14 Years**

[21] Appl. No.: **948,884**

[22] Filed: **Sep. 21, 1992**

[30] **Foreign Application Priority Data**

Jun. 29, 1992 [JP] Japan 4-19007

[52] U.S. Cl. **D18/1; D14/106**

[58] **Field of Search** 340/700, 706, 711, 712; 341/22, 23; 235/145 A, 145 R; 400/493.1, 494, 472, 473, 485; 364/706-709.9, 900; D18/1, 2, 7, 11, 12; D14/100, 101, 105, 106

[56] **References Cited**

U.S. PATENT DOCUMENTS

D. 288,566	3/1987	Chin et al.	D14/106
D. 295,176	4/1988	Nishimoto et al.	D14/106
D. 302,267	7/1989	Genaro et al.	D14/106
D. 310,517	9/1990	Hara et al.	D14/106
D. 312,075	11/1990	Lam	D14/106

D. 312,451	11/1990	Katoh et al.	D14/106
D. 321,177	10/1991	Imamura et al.	D14/106
D. 323,157	1/1992	Mia Je	D14/106
D. 328,065	7/1992	Nezu	D14/106

Primary Examiner—Alan P. Douglas
Assistant Examiner—Caron D. Veynar
Attorney, Agent, or Firm—Oblon, Spivak, McClelland, Maier & Neustadt

[57] **CLAIM**

The ornamental design for a word processor, as shown and described.

DESCRIPTION

FIG. 1 is a front, top and right side perspective view of a word processor showing my new design; FIG. 2 is a front elevational view thereof; FIG. 3 is a right side elevational view thereof; FIG. 4 is a left side elevational view thereof; FIG. 5 is a top plan view thereof; FIG. 6 is a rear elevational view thereof; FIG. 7 is a bottom plan view thereof; FIG. 8 is a top plan view of the word processor with the cover closed; FIG. 9 is a front elevational view thereof; and, FIG. 10 is a right side elevational view thereof.

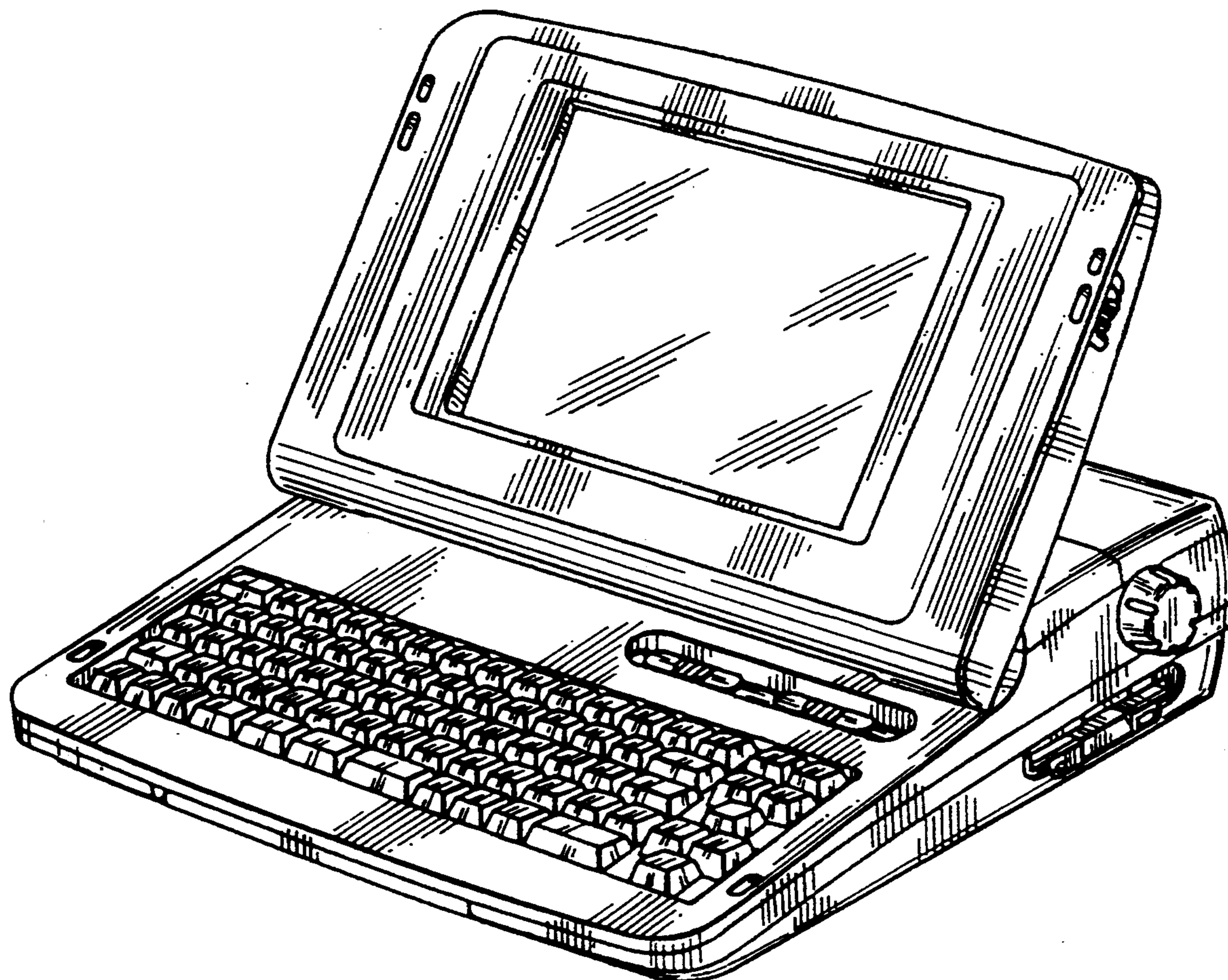


FIG. 1

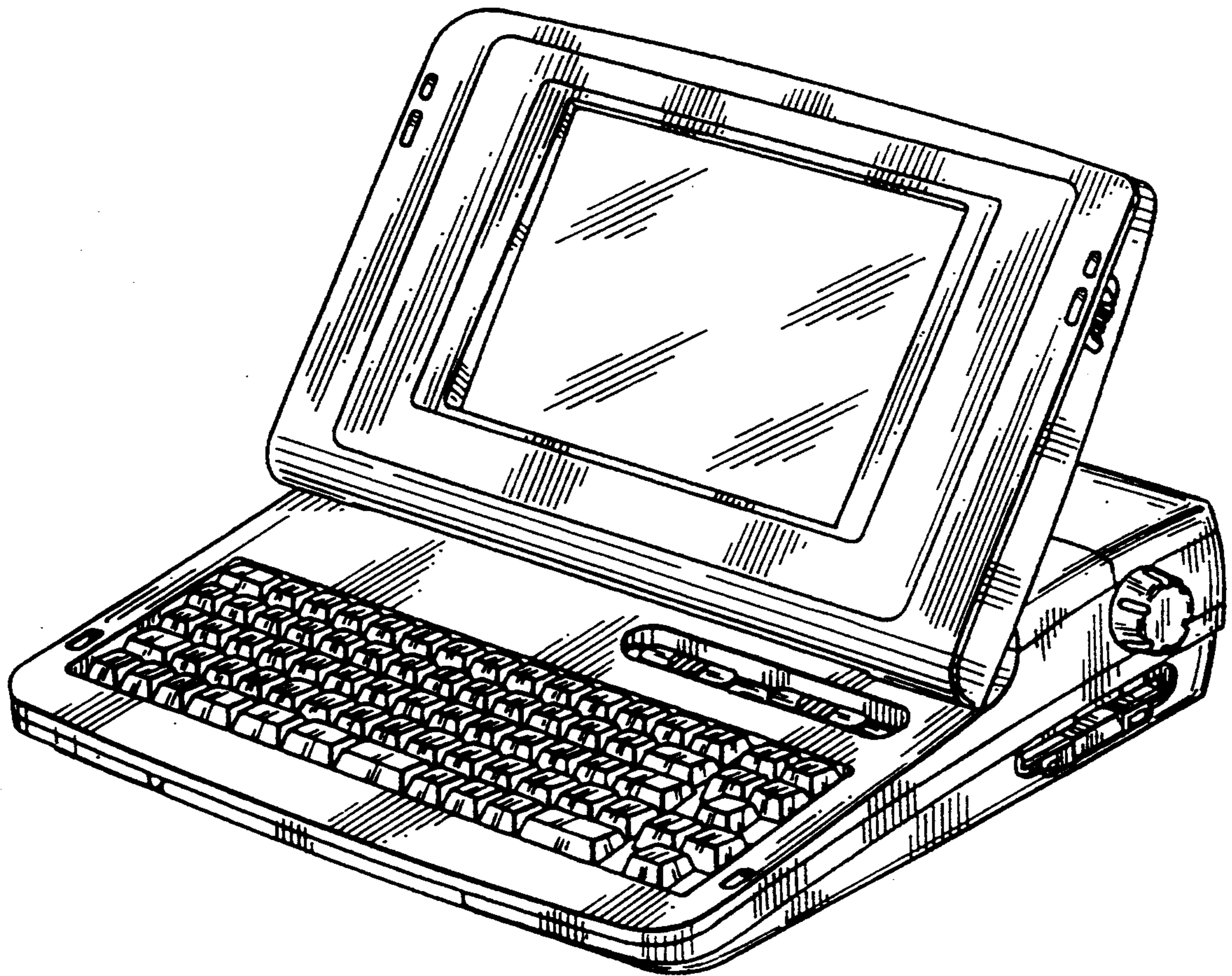


FIG. 2

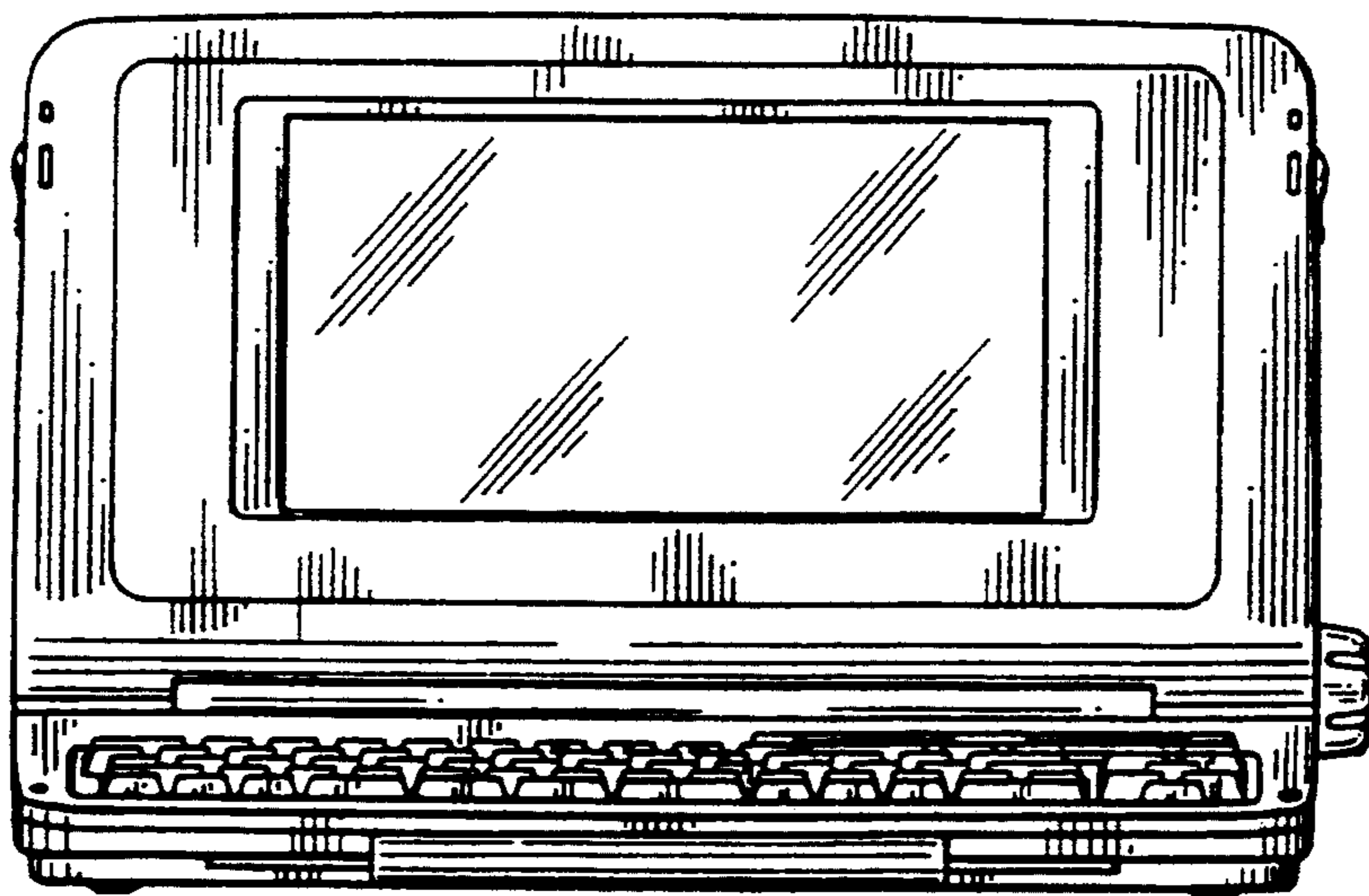


FIG. 3

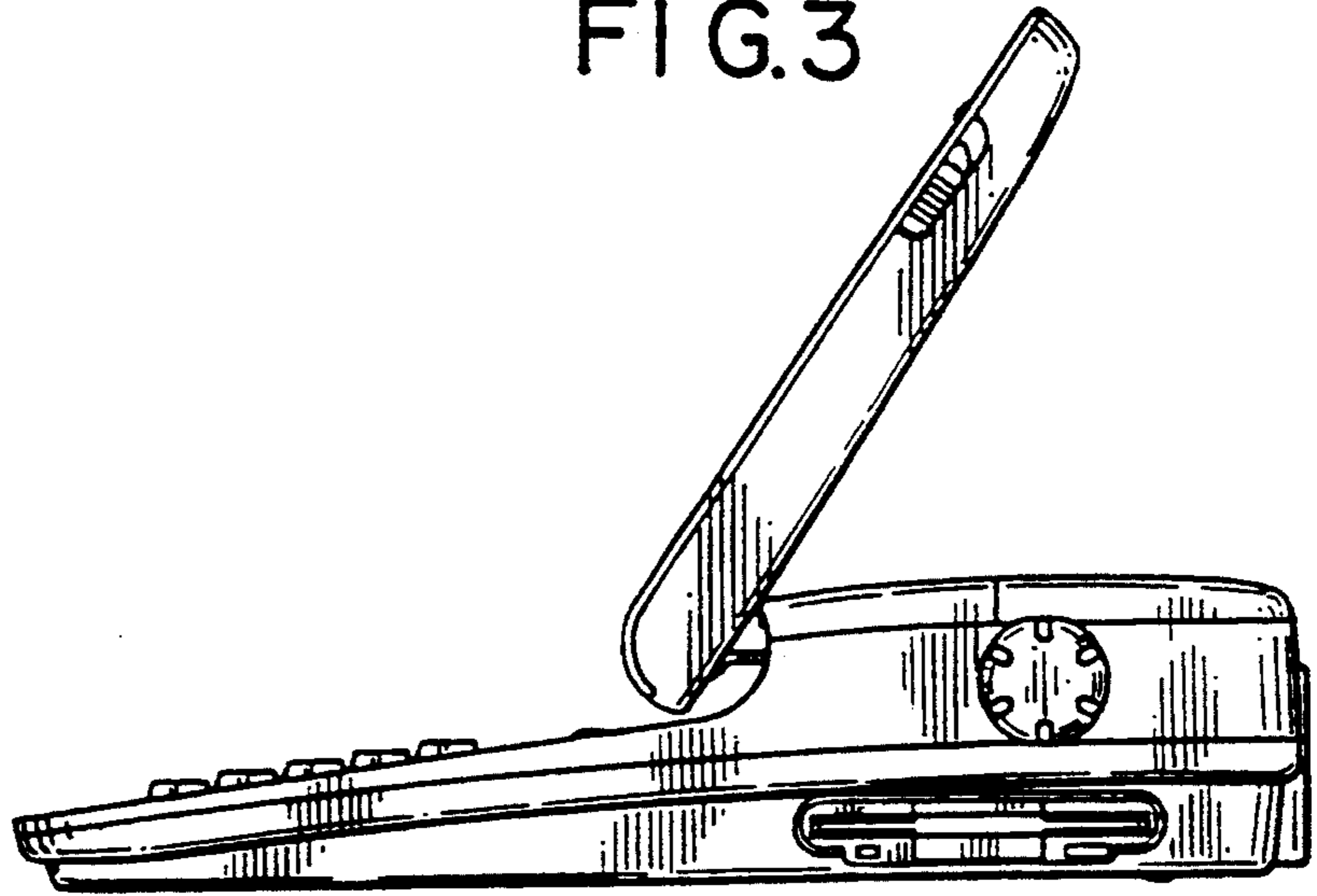


FIG. 4

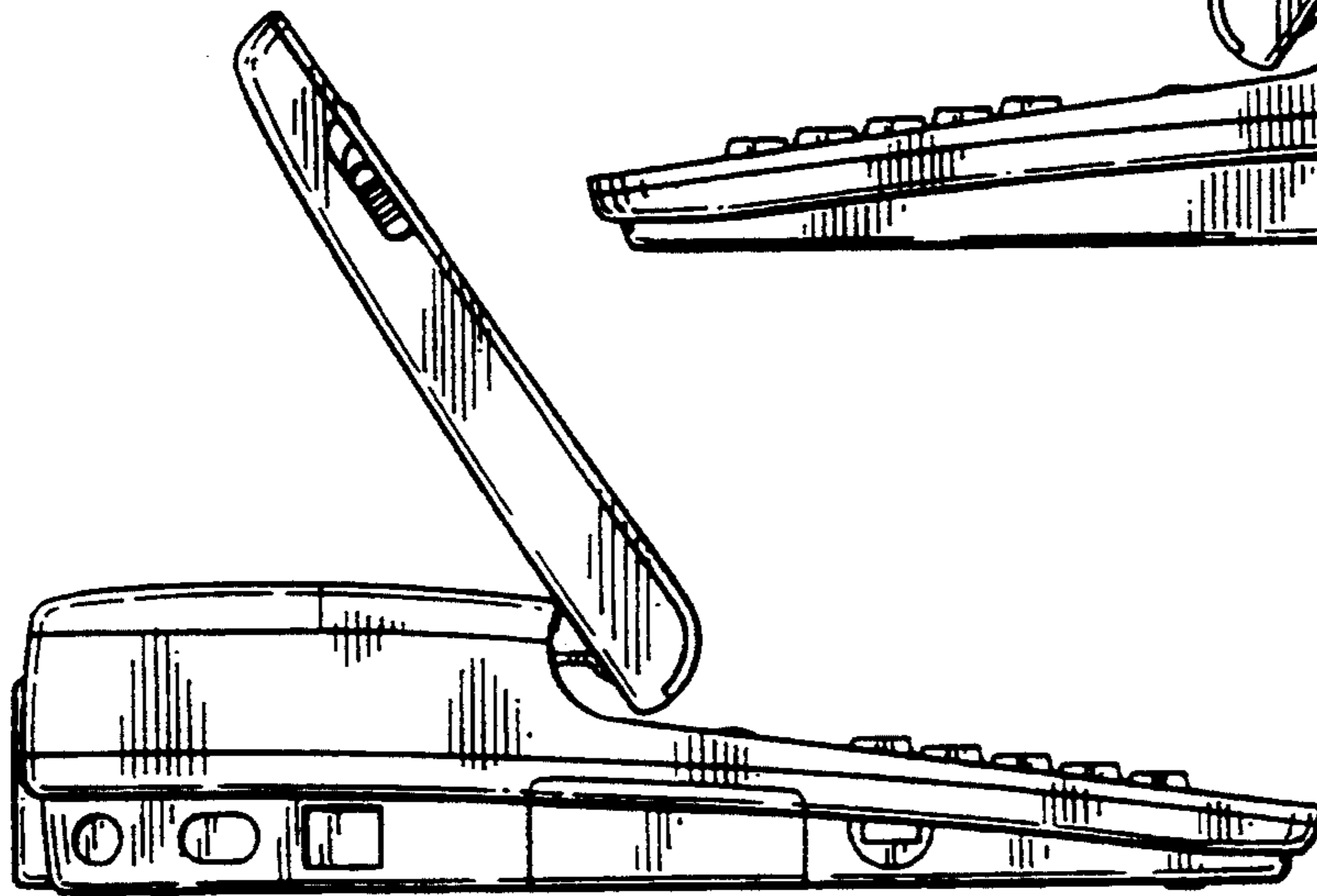


FIG. 5

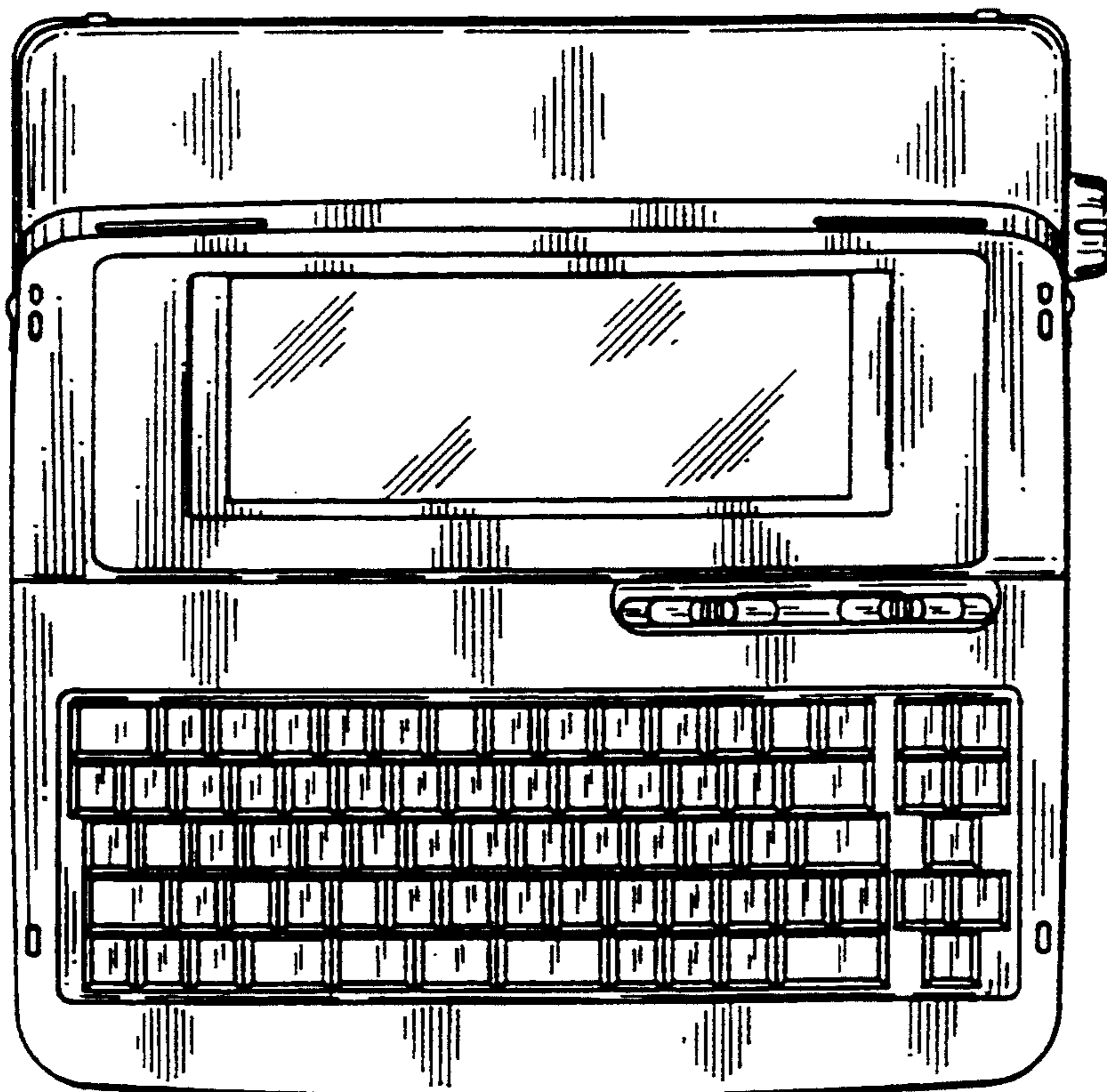


FIG. 6

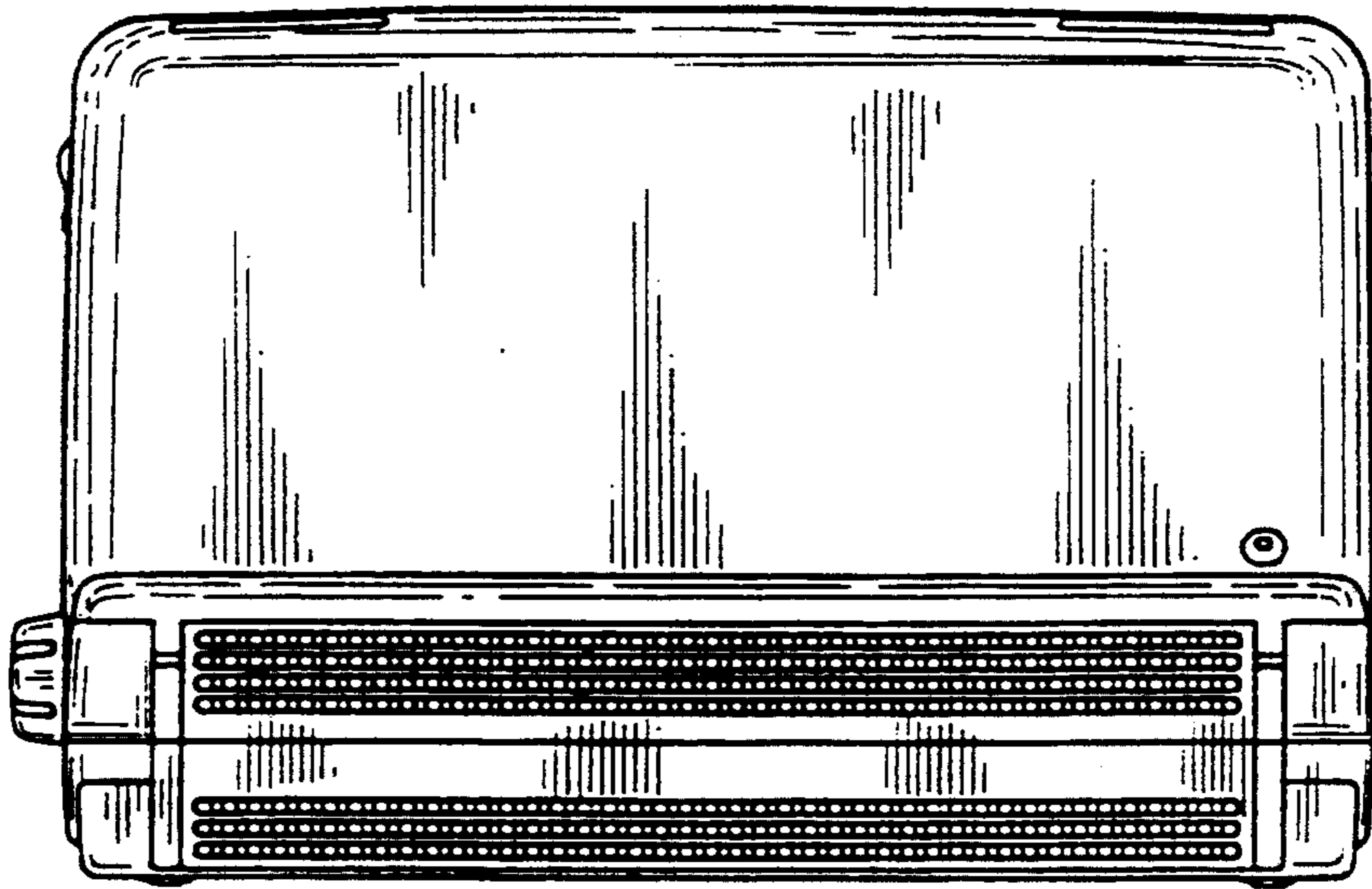


FIG. 7

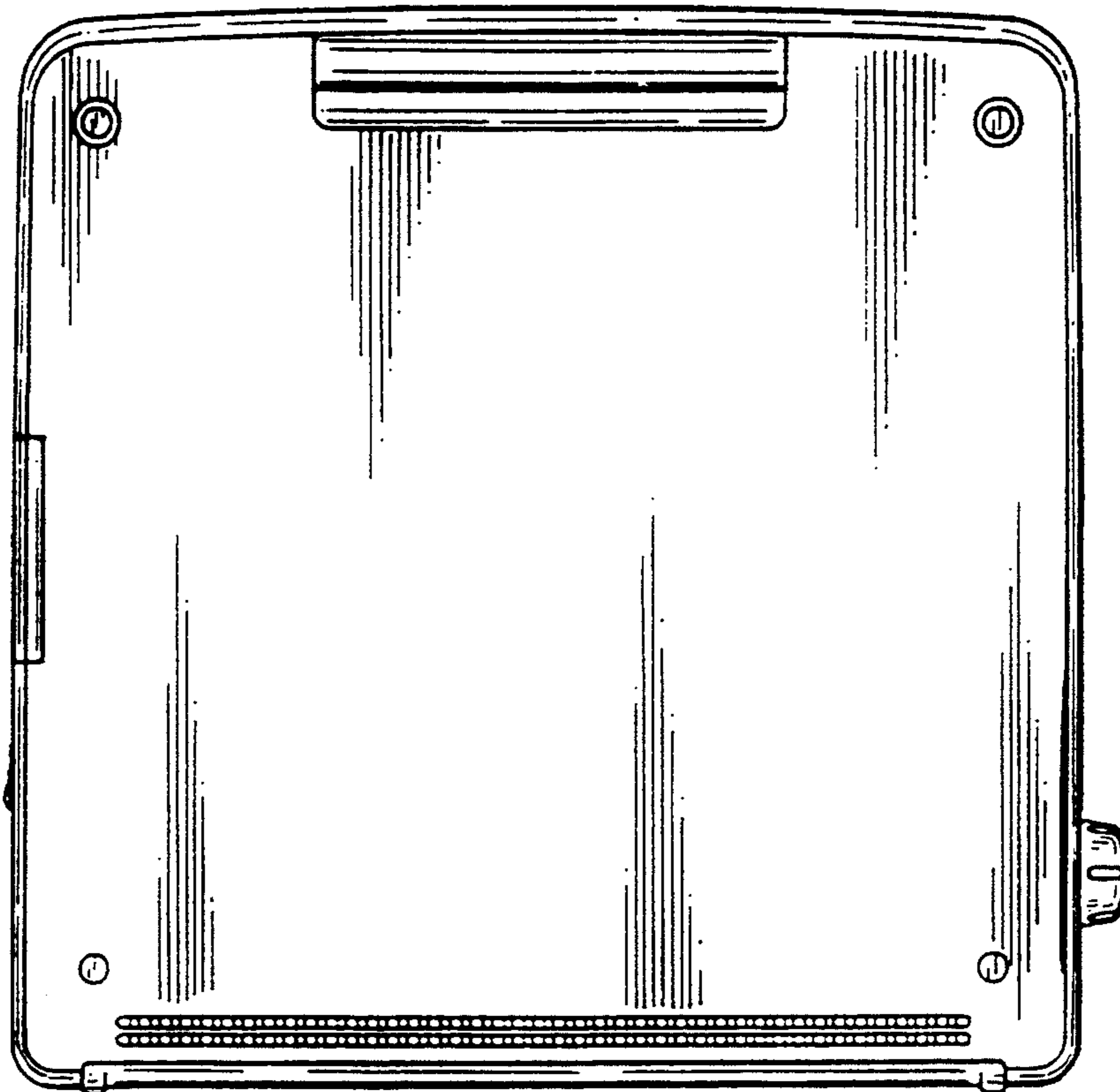


FIG. 8

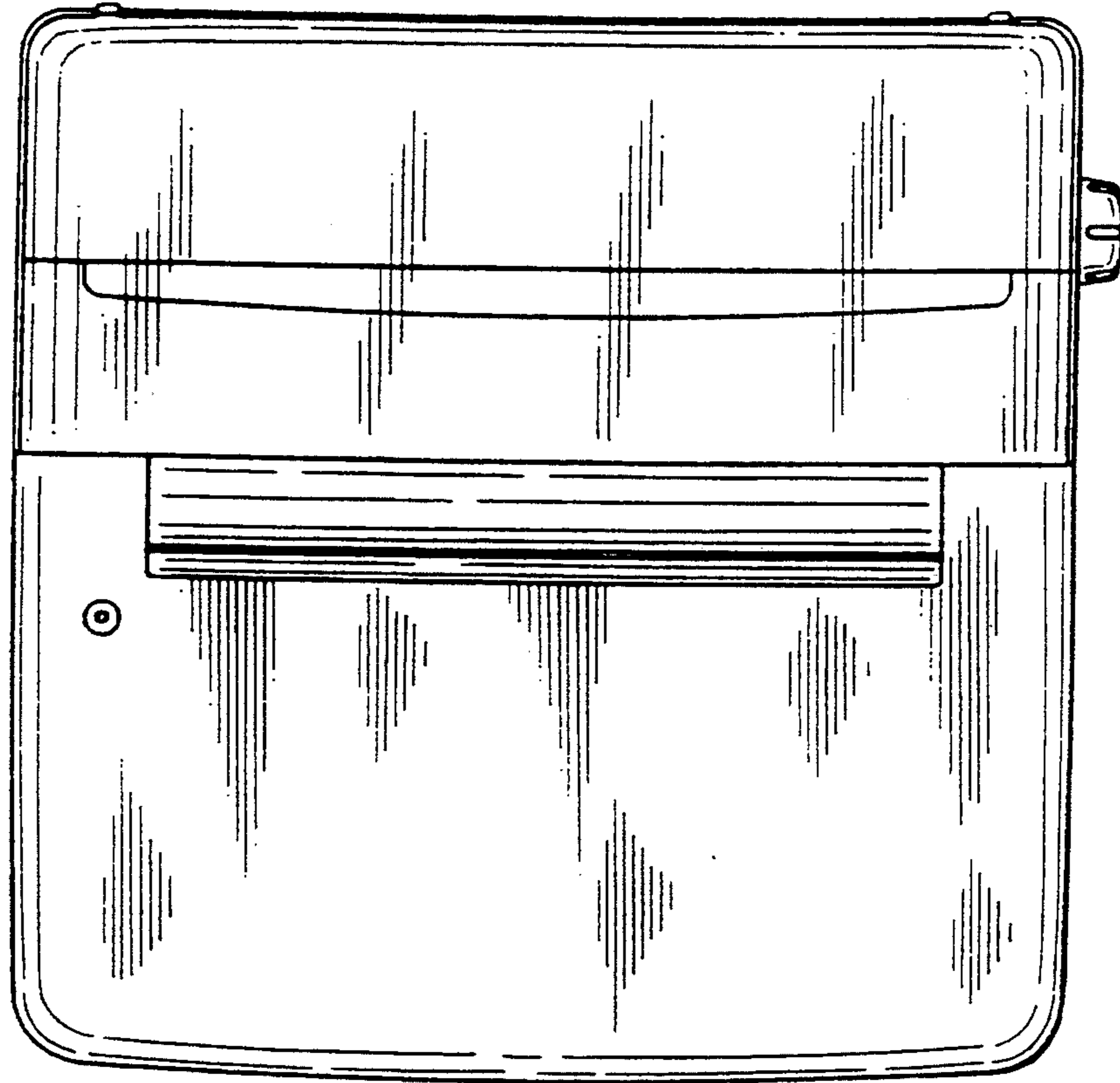


FIG. 9

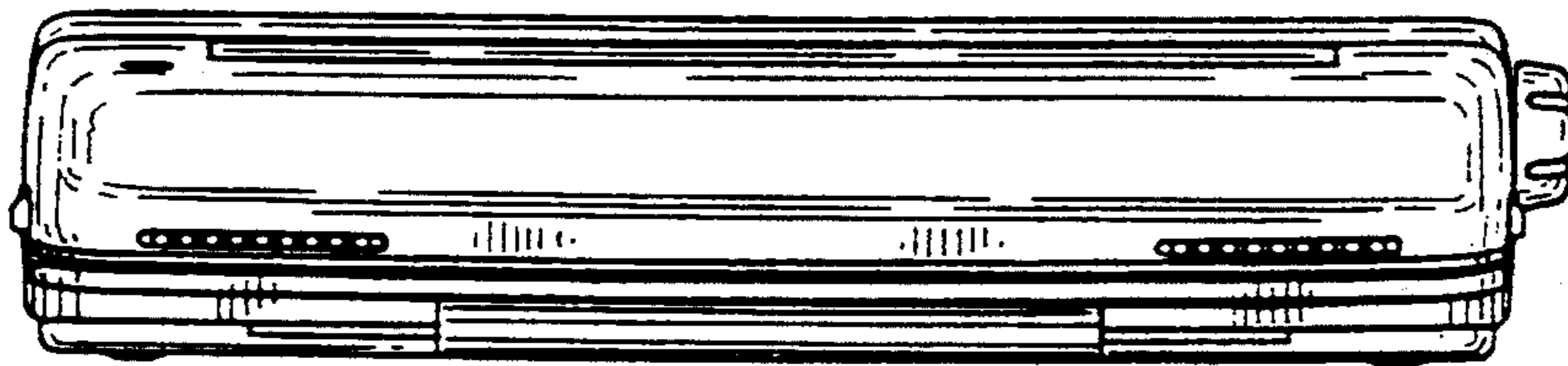


FIG. 10

