



US00D351180S

United States Patent [19]

[11] Patent Number: **Des. 351,180**

O'Neal et al.

[45] Date of Patent: **** Oct. 4, 1994**

[54] **PORTABLE PLATFORM FOR CAMERAS AND REMOTE SENSING EQUIPMENT**

[76] Inventors: **Shawn P. O'Neal**, 9536 S. Spring Hollow La., Germantown, Tenn. 38139; **J. Steven Garner**, 1881 York St., Memphis, Tenn. 38104

[**] Term: **14 Years**

[21] Appl. No.: **949,115**

[22] Filed: **Sep. 23, 1992**

[52] U.S. Cl. **D16/242**

[58] Field of Search 182/141, 148; D8/349; 248/44.1, 519, 121, 127, 154; D25/62, 68; D16/214, 242, 244, 245

[56] **References Cited**

U.S. PATENT DOCUMENTS

D. 204,516	4/1966	Szymer	D16/242
2,482,235	11/1949	Goss	248/519
2,978,780	4/1961	Clarkson	248/519
3,081,054	3/1963	Westervelt	248/127
3,119,588	1/1964	Keats	248/519
3,664,618	5/1972	Krueger	248/519

Primary Examiner—A. Hugo Word
Assistant Examiner—Doris Clark
Attorney, Agent, or Firm—Walker, McKenzie & Walker

[57] **CLAIM**

The ornamental design for a portable platform for cam-

eras and remote sensing equipment, as shown and described.

DESCRIPTION

FIG. 1 is a front elevational view of a portable platform for cameras and remote sensing equipment showing our new design, the rear elevation being substantially a mirror image thereof;

FIG. 2 is a right side elevational view of the portable platform for cameras and remote sensing equipment of FIG. 1;

FIG. 3 is a top plan view of the portable platform for cameras and remote sensing equipment of FIG. 1;

FIG. 4 is a bottom plan view of the portable platform for cameras and remote sensing equipment of FIG. 1;

FIG. 5 is a left side elevational view of the portable platform for cameras and remote sensing equipment of FIG. 1;

FIG. 6 is an enlarged elevational view of a portion of the portable platform for cameras and remote sensing equipment of FIG. 1 this element is repetitive around the base of the portable platform for cameras and remote sensing equipment as shown in FIGS. 1, 2, and 5 of the drawing;

FIG. 7 is a sectional view substantially as taken on line 7—7 of FIG. 6 to more clearly show certain ornamental features of the portable platform for cameras and remote sensing equipment of FIG. 1; and,

FIG. 8 is an enlarged sectional view substantially as taken on line 8—8 of FIG. 3 to more clearly show certain ornamental features of the portable platform for cameras and remote sensing equipment of FIG. 1 the broken lines showing a mount are for illustrative purposes only and form no part of the claimed design.

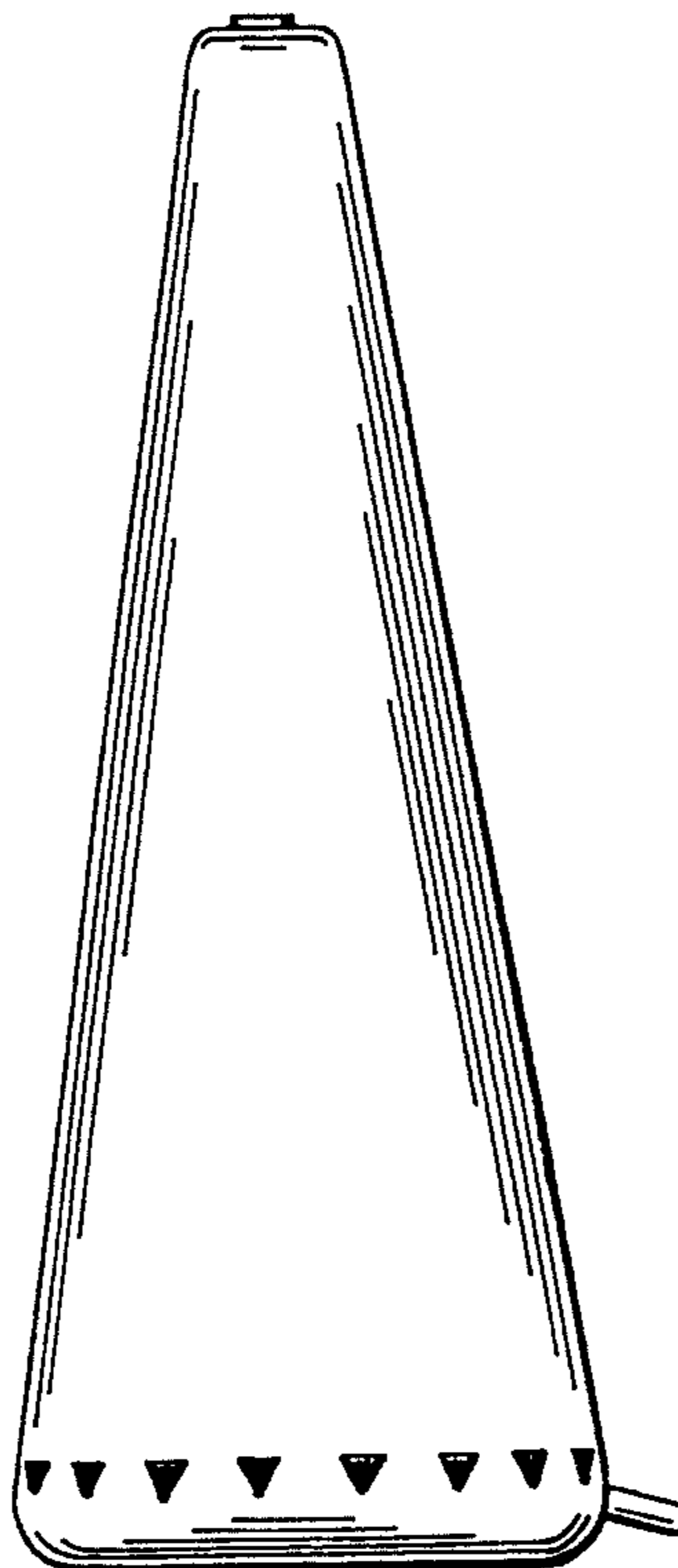


FIG. 1

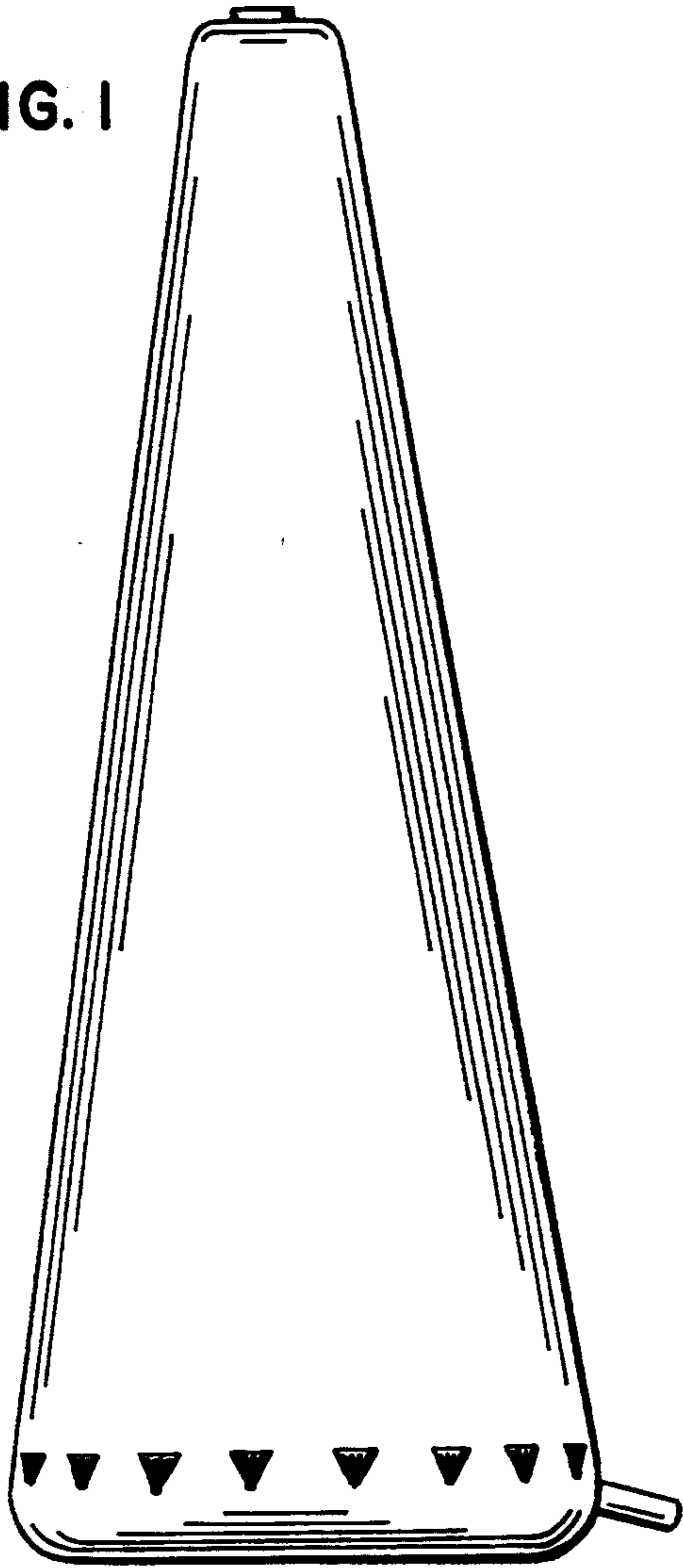


FIG. 2

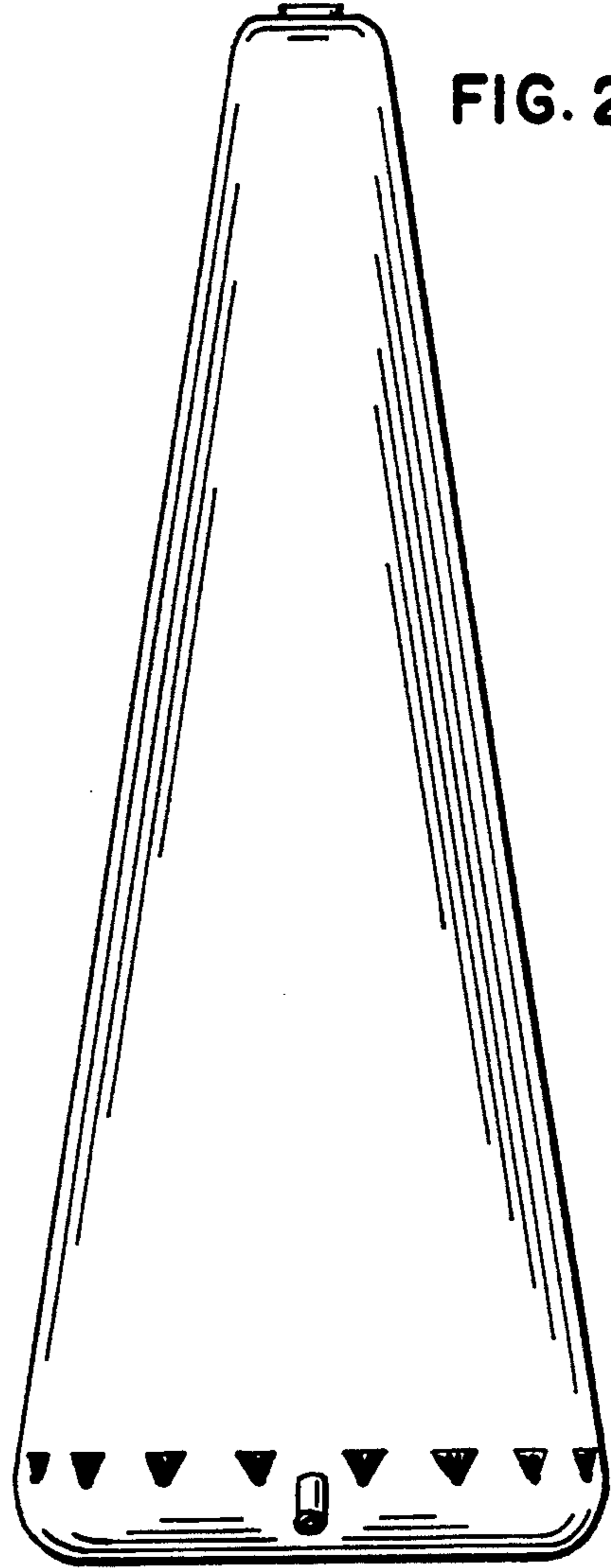


FIG. 3

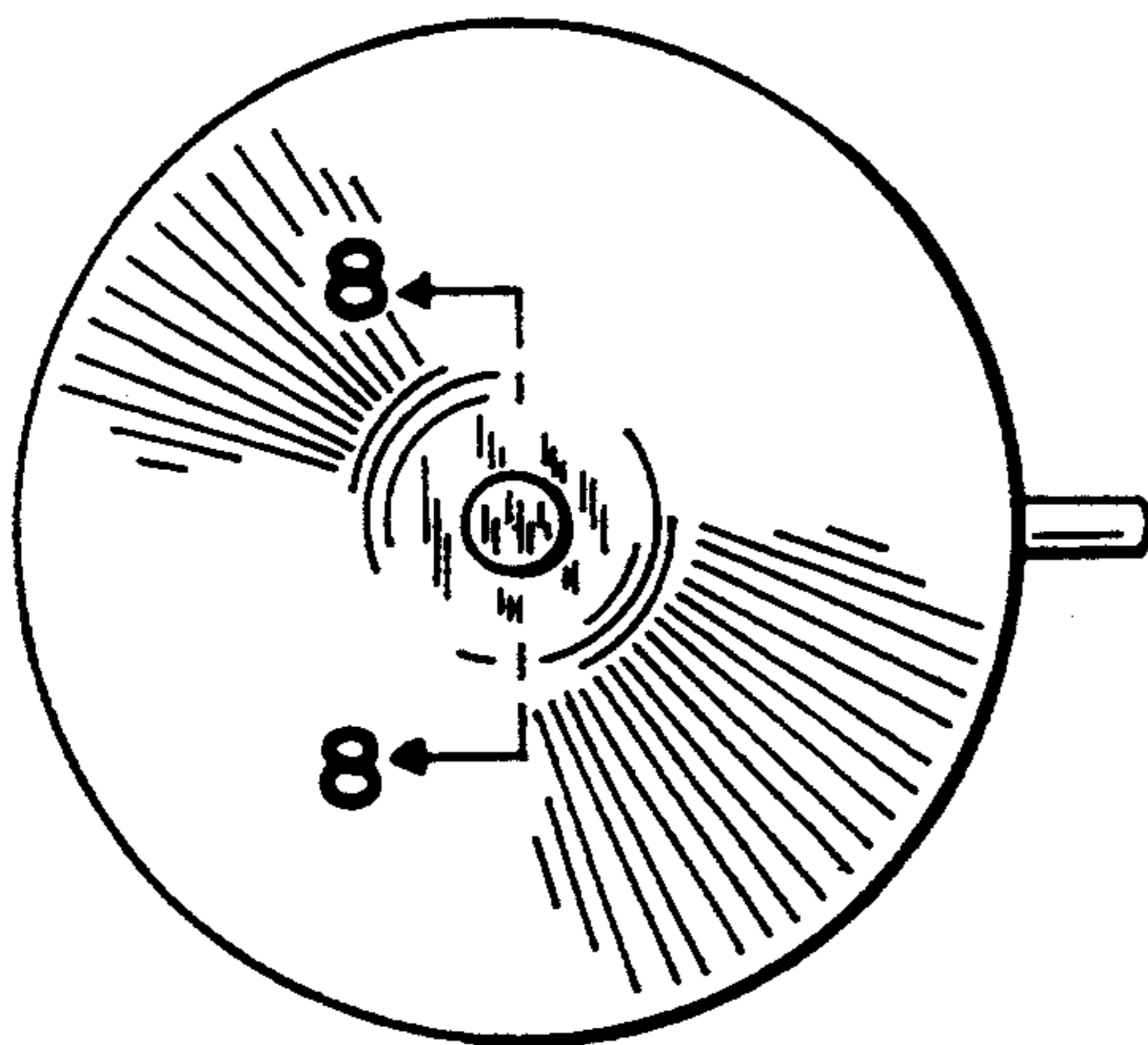


FIG. 4

