



US00D351179S

United States Patent [19]
Schappler

[11] **Patent Number: Des. 351,179**
[45] **Date of Patent: ** Oct. 4, 1994**

- [54] **CAMERA WITH FLIP-UP FLASH**
- [75] **Inventor: Joseph J. Schappler, Bedford, N.H.**
- [73] **Assignee: Eastman Kodak Company, Rochester, N.Y.**
- [**] **Term: 14 Years**
- [21] **Appl. No.: 948,968**
- [22] **Filed: Sep. 17, 1992**
- [52] **U.S. Cl. D16/209**
- [58] **Field of Search 354/126, 149.1, 149.11, 354/202, 288; D16/200, 208, 209, 211, 216-218**

- [56] **References Cited**
- U.S. PATENT DOCUMENTS**
- D. 285,087 8/1986 Hansen D16/209
- D. 306,036 2/1990 Nakayama D16/209
- D. 311,546 10/1990 Leonard et al. D16/209
- D. 327,899 7/1992 Goldstein et al. D16/209
- 4,983,999 1/1991 Meiszahl et al. 354/149.11

OTHER PUBLICATIONS

Modern Photography, May 1988 p. 41 (Konica 2 Camera).

Primary Examiner—Melvin B. Feifer
Assistant Examiner—Adir Aronovich

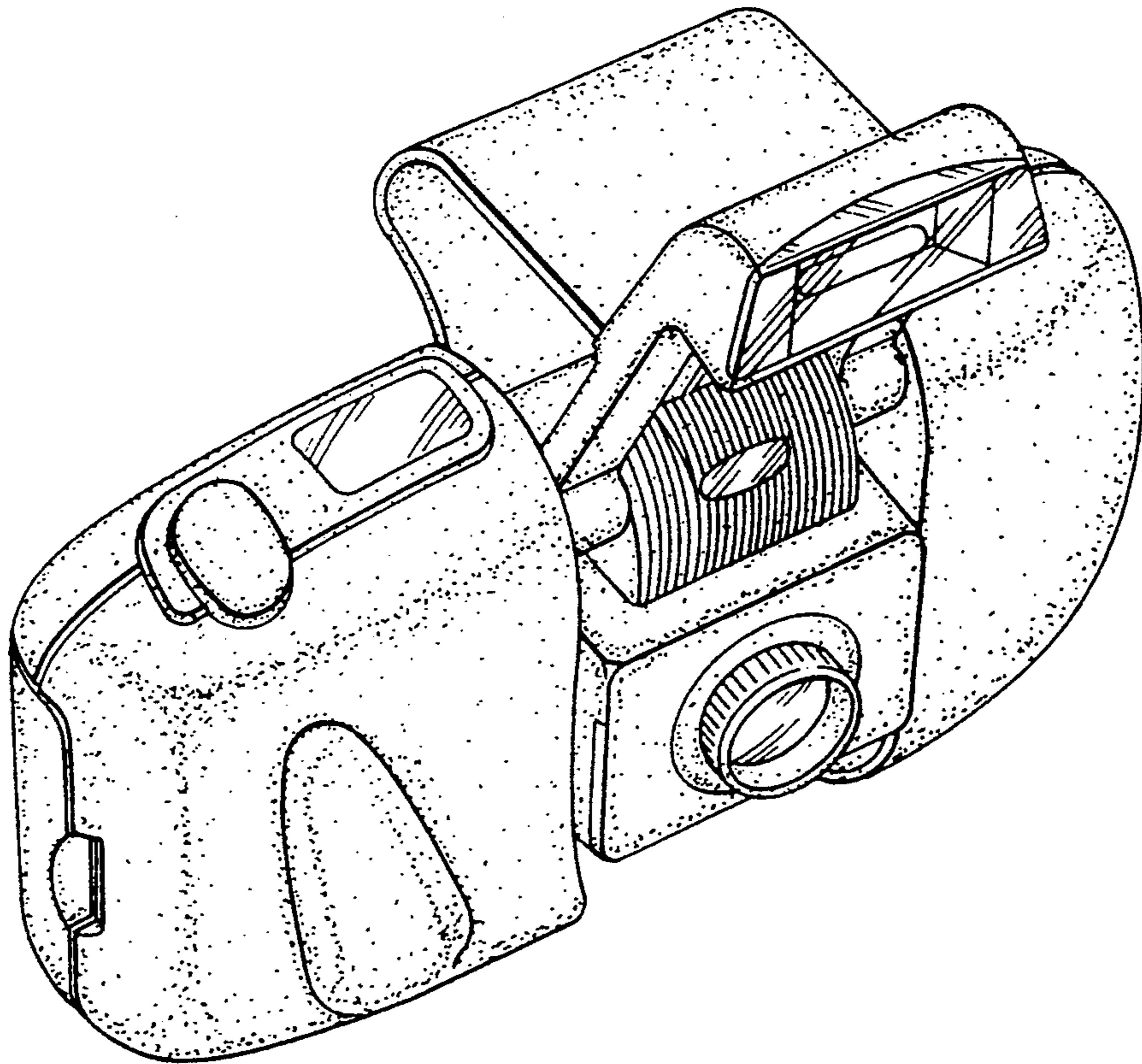
Attorney, Agent, or Firm—Roger A. Fields

[57] **CLAIM**

The ornamental design for a camera with a flip-up flash, as shown and described.

DESCRIPTION

FIG. 1 is a front elevation view of a camera with a flip-up flash, showing my new design;
 FIG. 2 is a rear elevation thereof;
 FIG. 3 is a top plan thereof;
 FIG. 4 is a left-side elevation thereof;
 FIG. 5 is right-side elevation thereof;
 FIG. 6 is a bottom plan thereof;
 FIG. 7 is a front elevation thereof, with the flip-up flash flipped up;
 FIG. 8 is a rear elevation thereof with the flip-up flash flipped up;
 FIG. 9 is a top plan thereof, with the flip-up flash flipped up;
 FIG. 10 is a left-side elevation thereof, with the flip-up flash flipped up;
 FIG. 11 is a right-side elevation thereof, with the flip-up flash flipped up;
 FIG. 12 is a bottom plan thereof, with the flip-up flash flipped up; and,
 FIG. 13 is a perspective view thereof as seen from the top and front of FIG. 7.



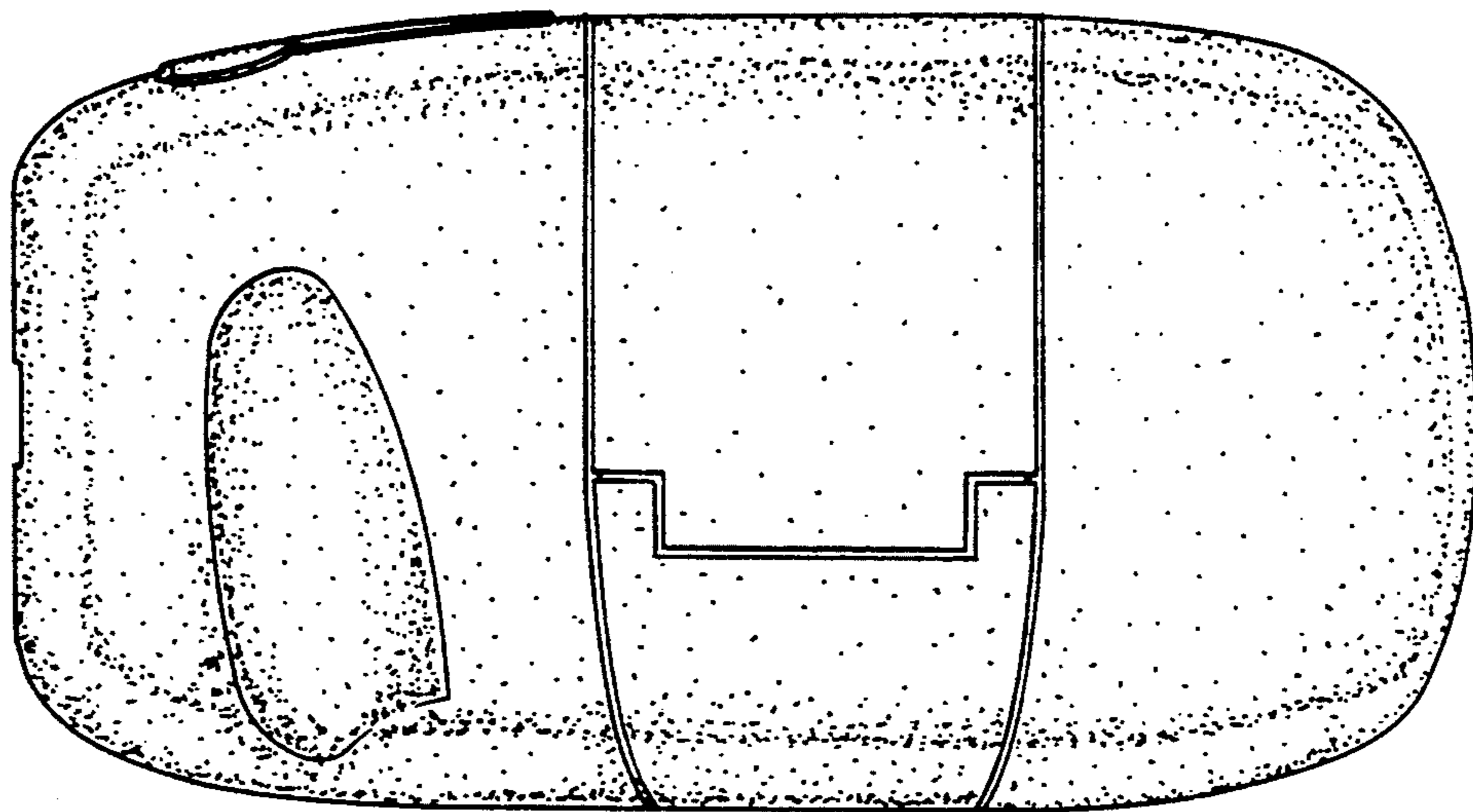


FIG. 1

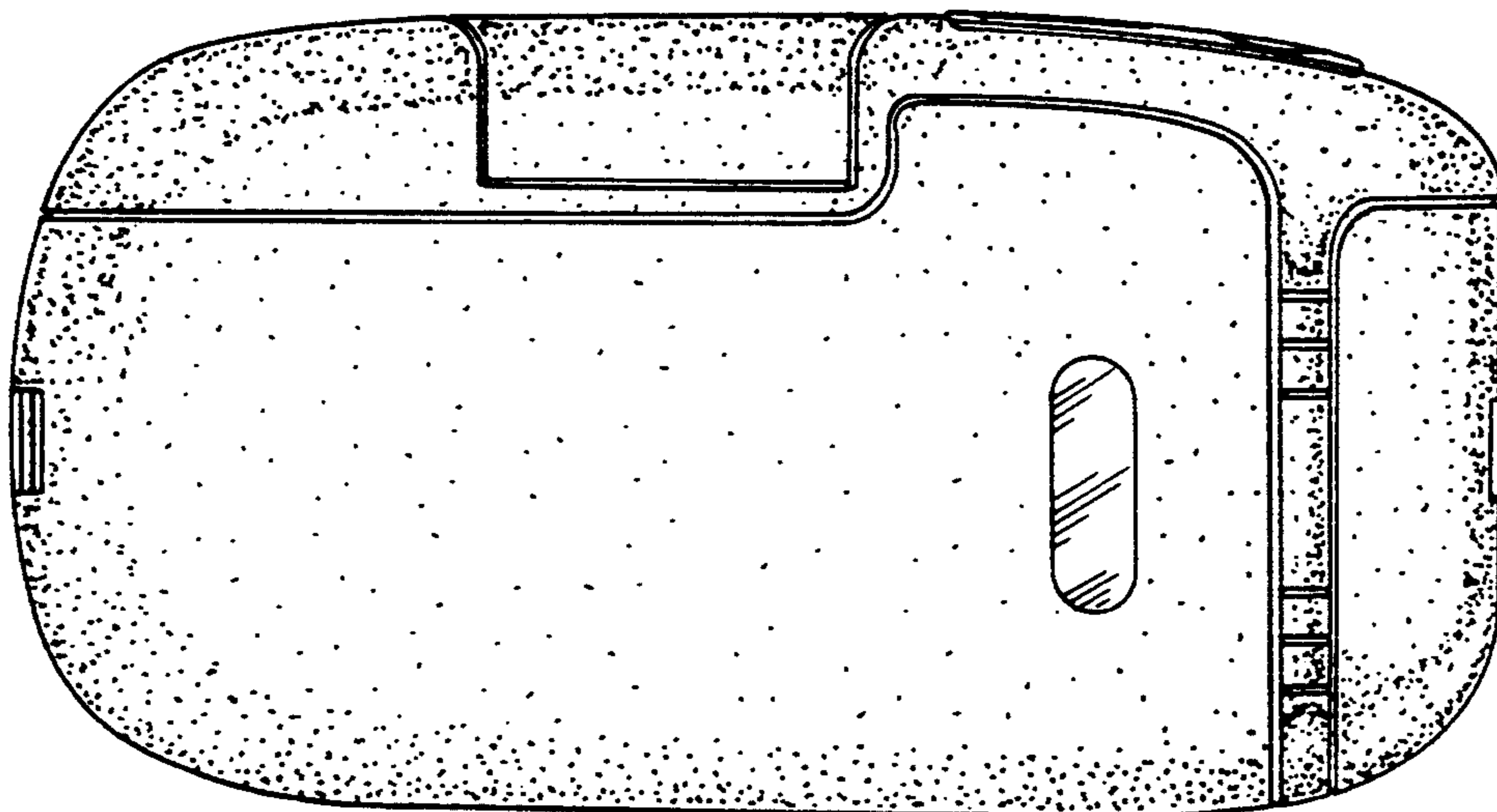


FIG. 2

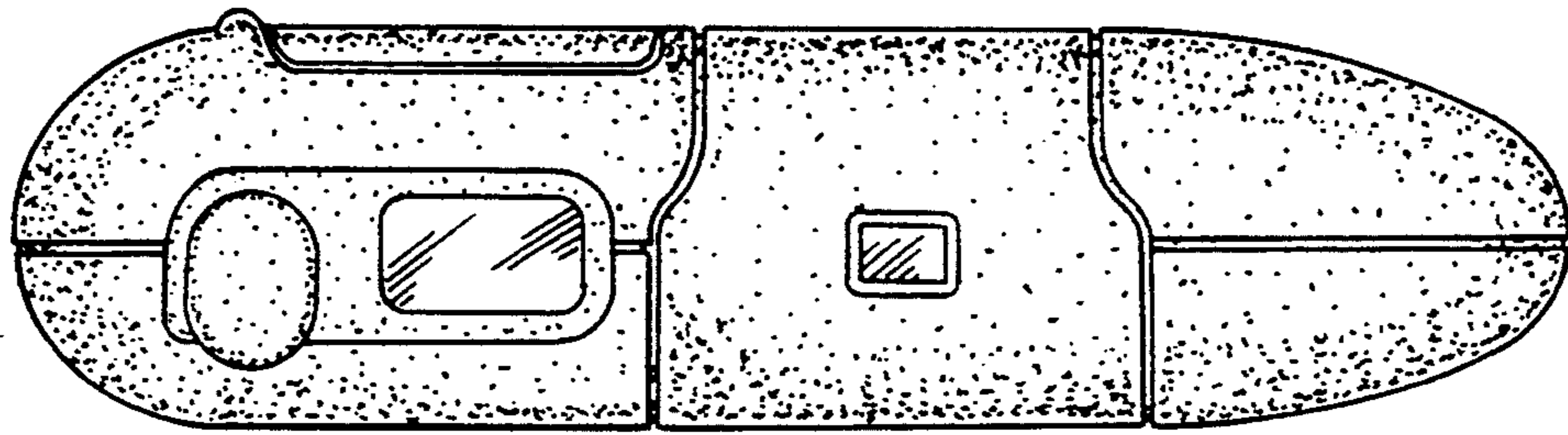


FIG. 3

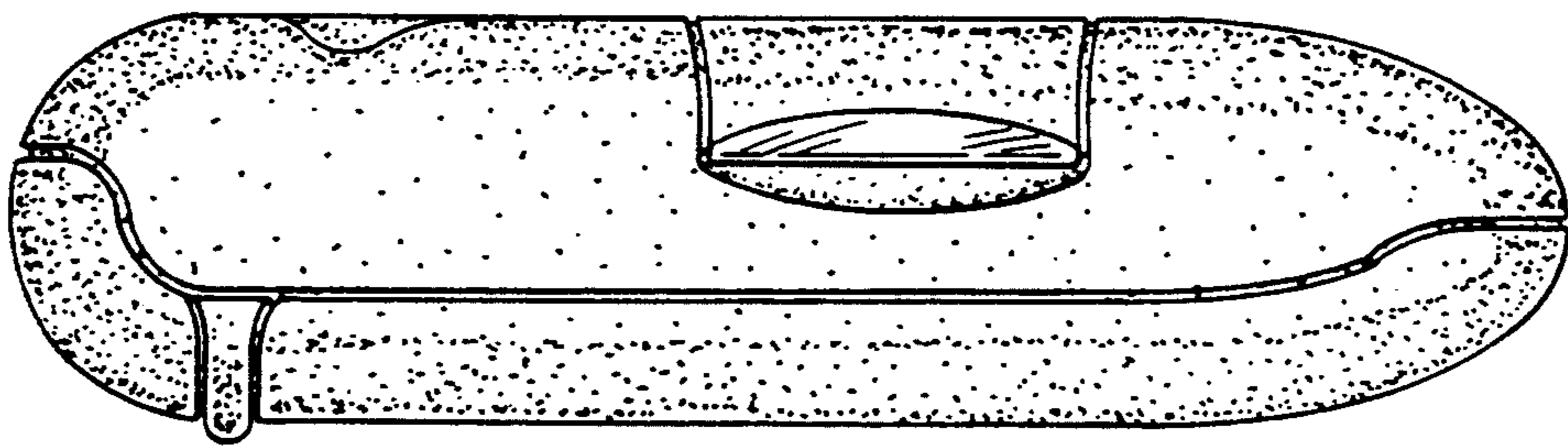


FIG. 6

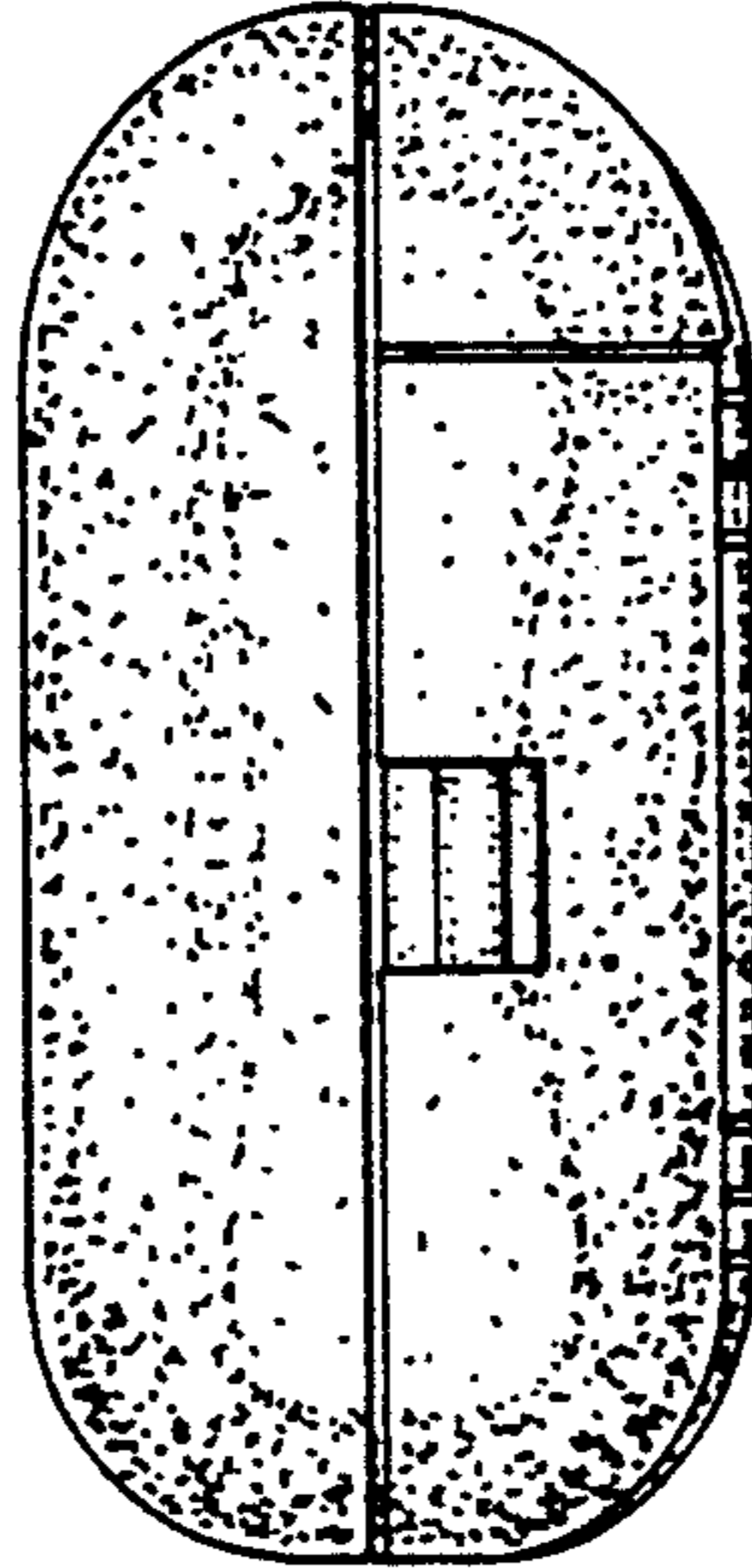


FIG. 4

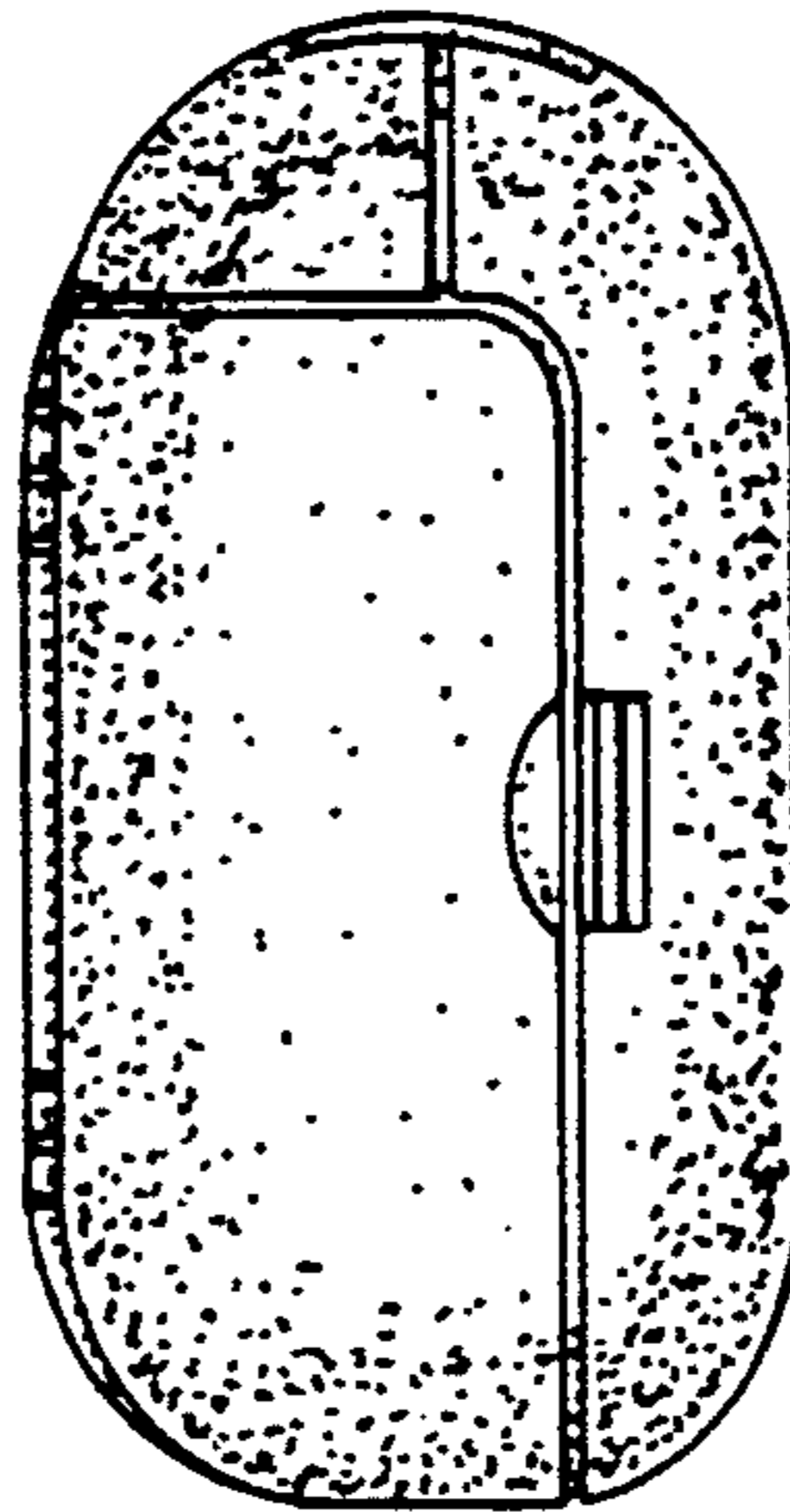


FIG. 5

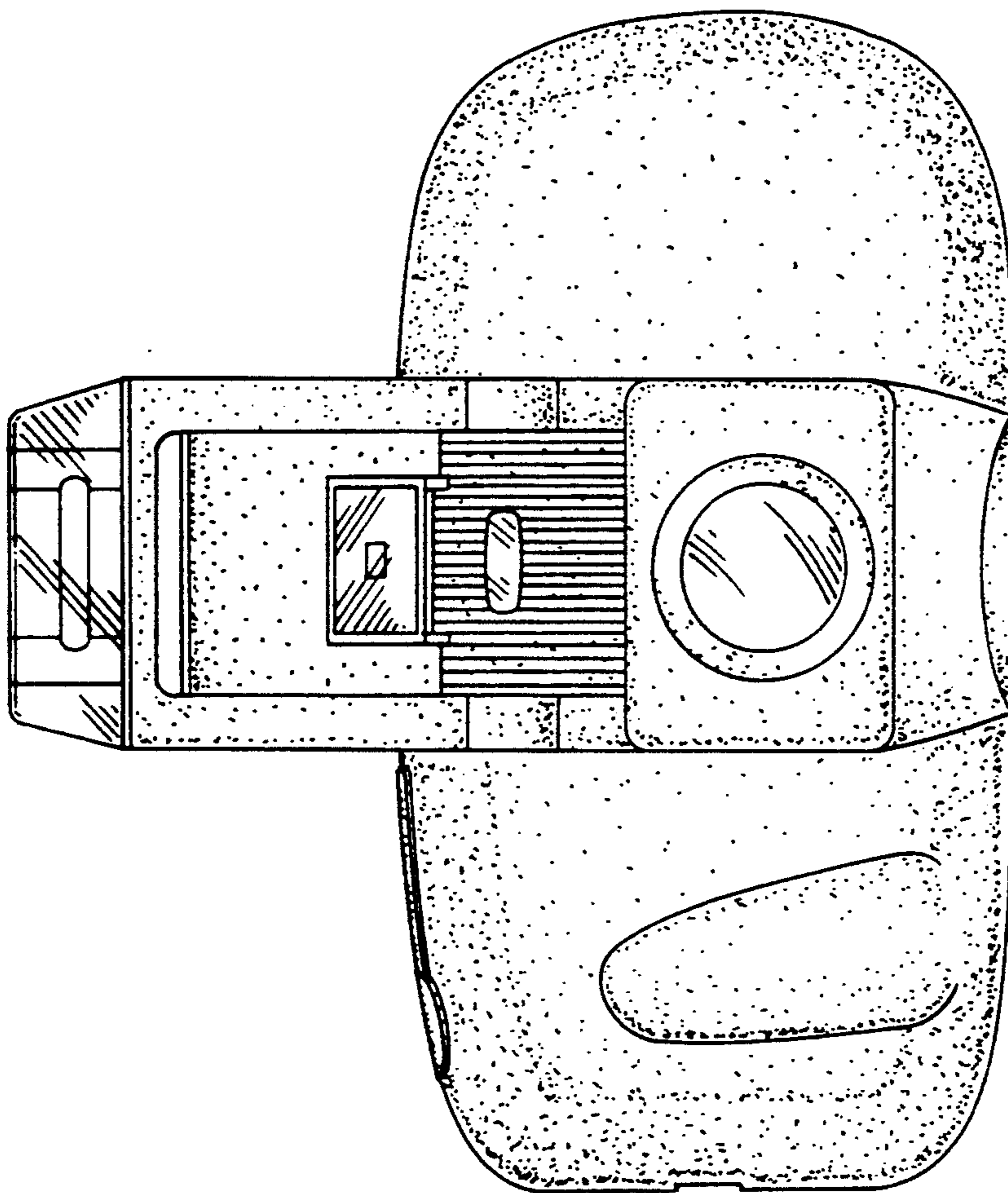


FIG. 7

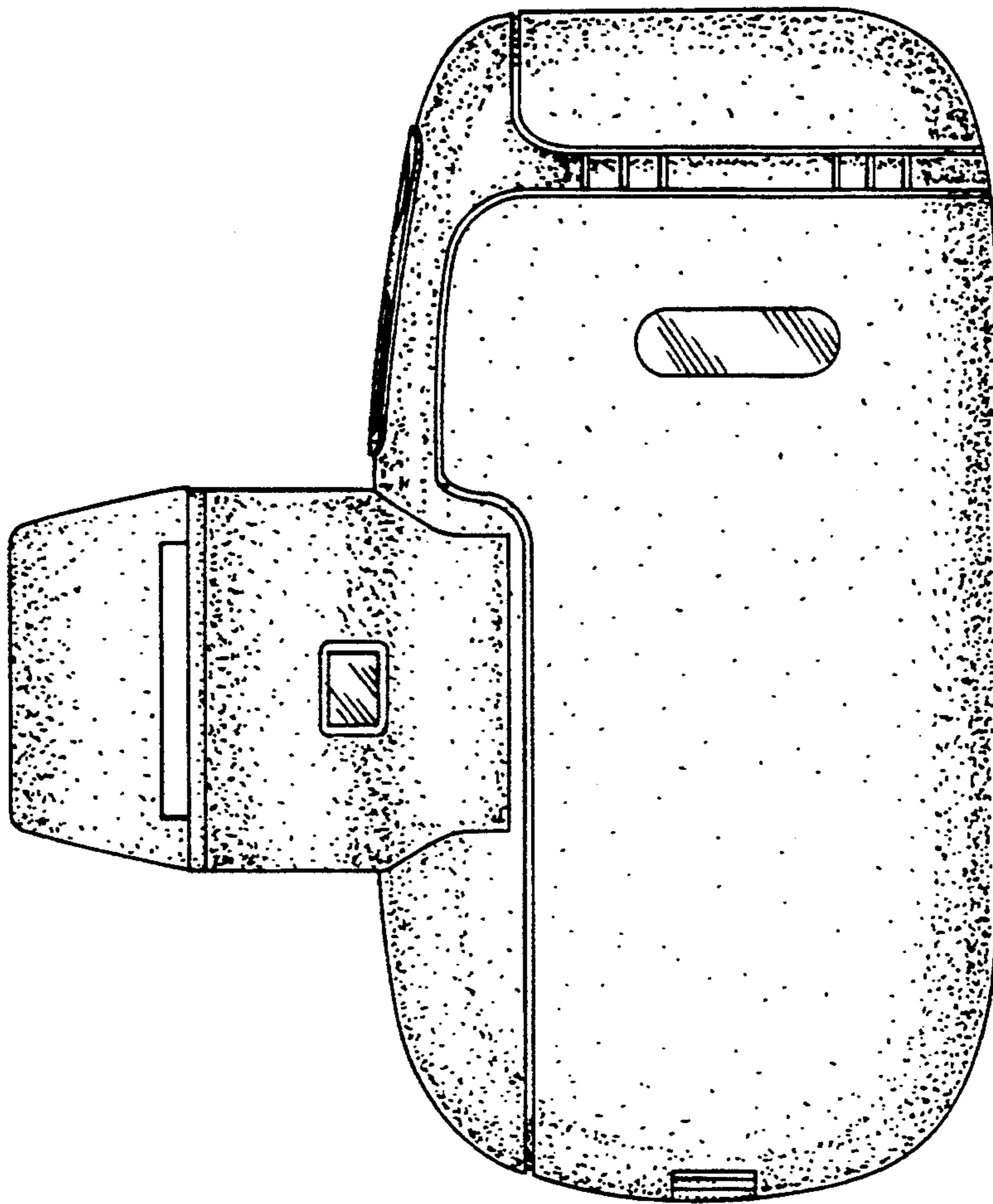


FIG. 8

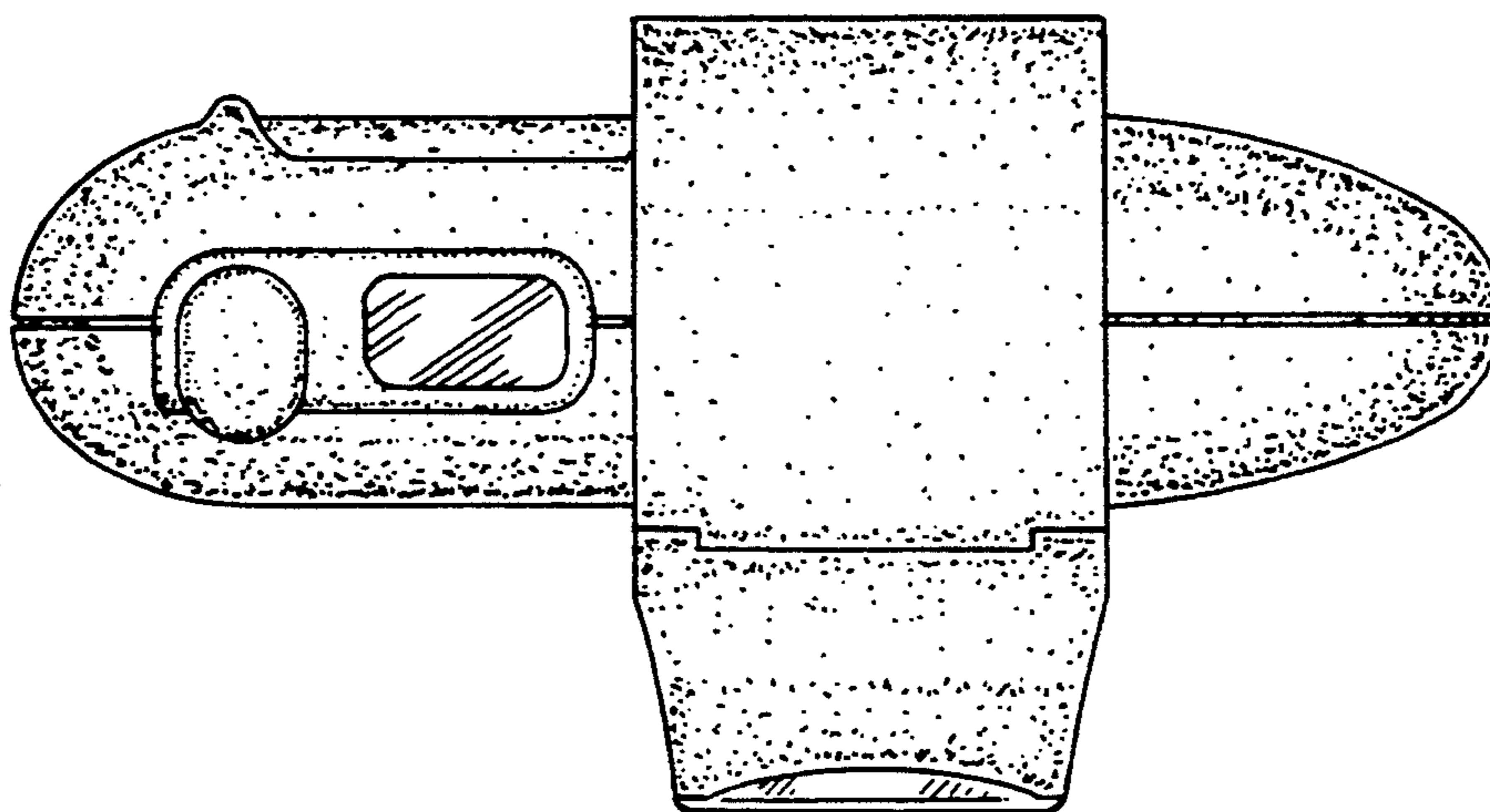


FIG. 9

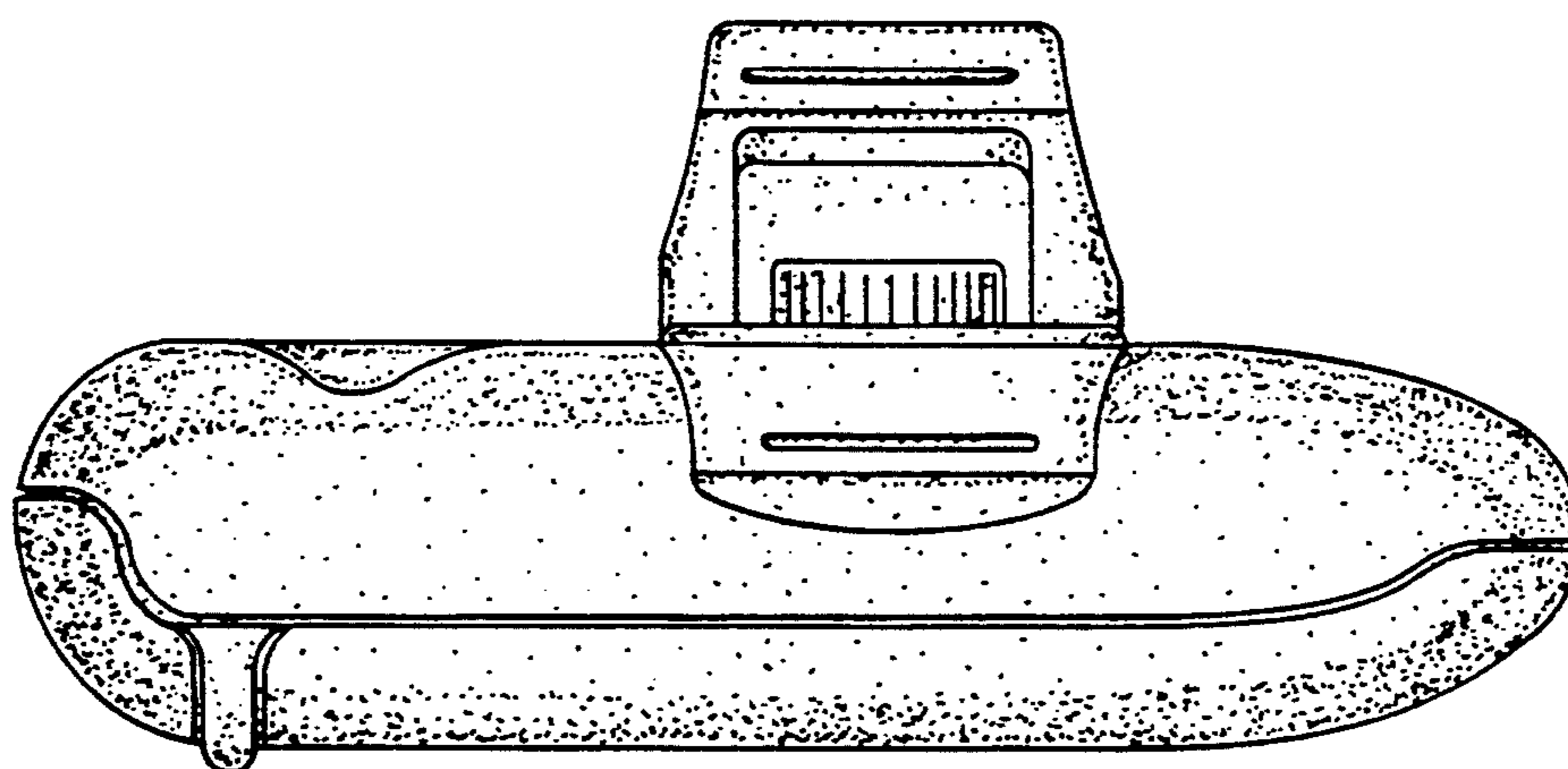


FIG. 12

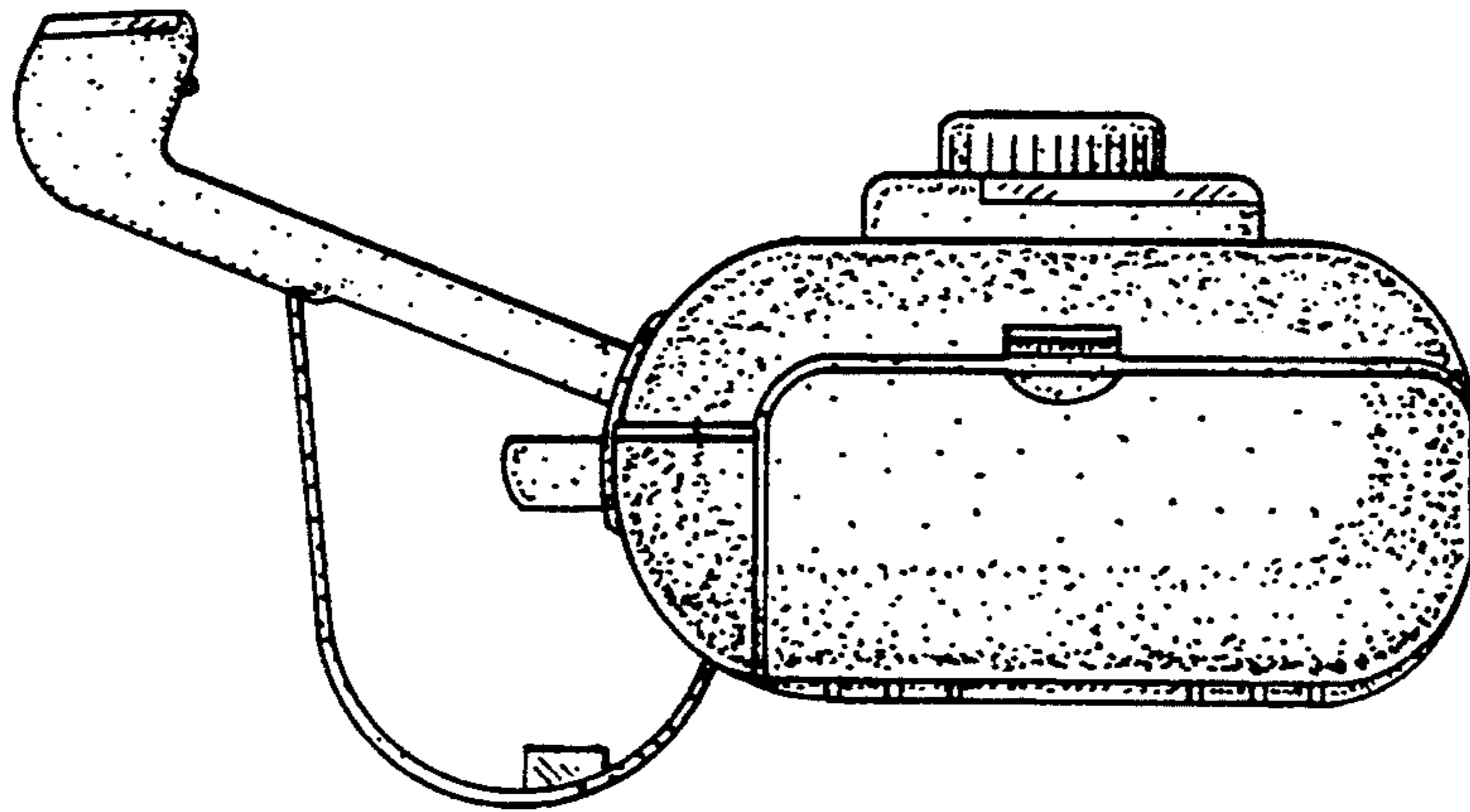


FIG. 11

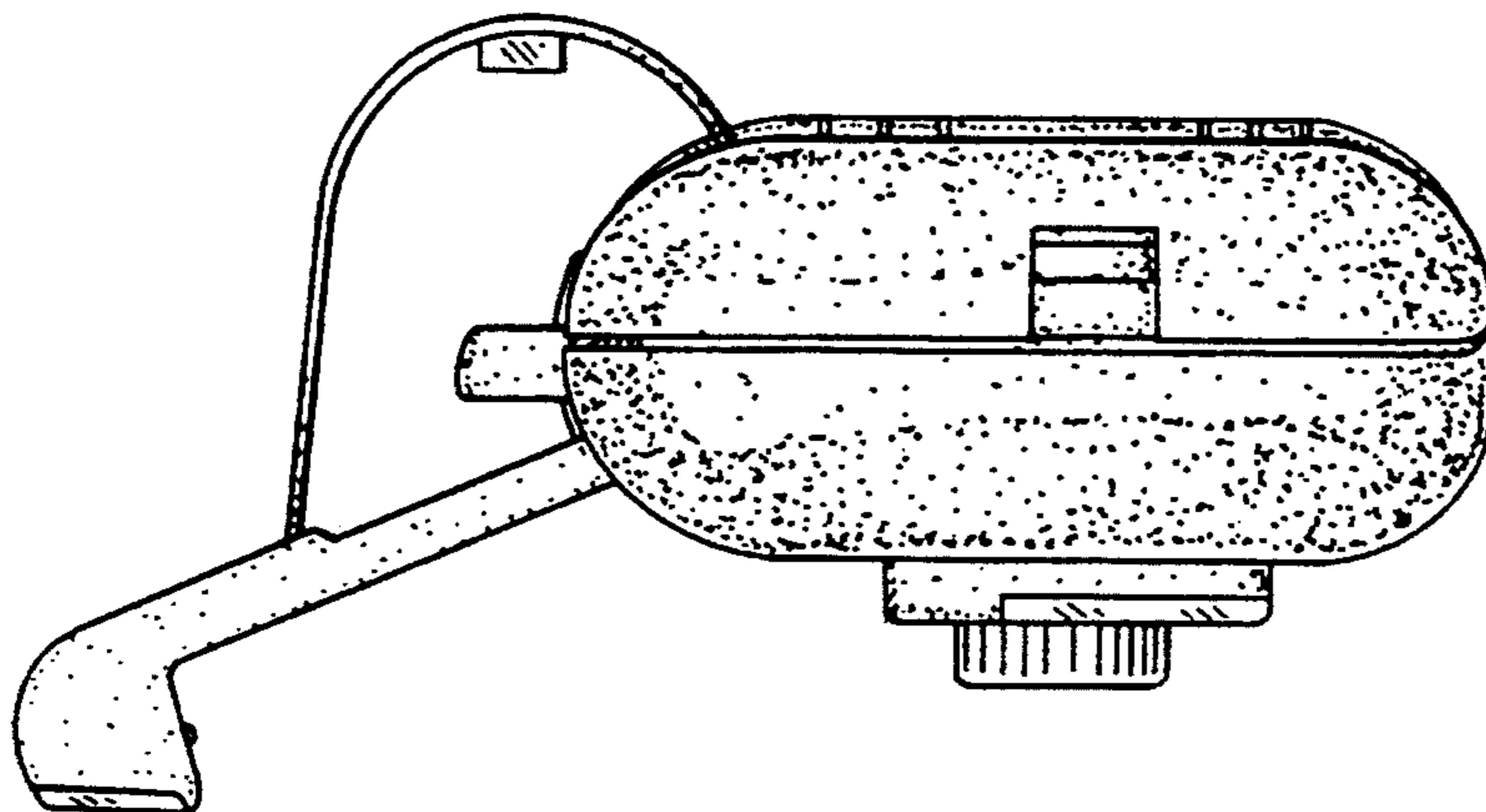


FIG. 10

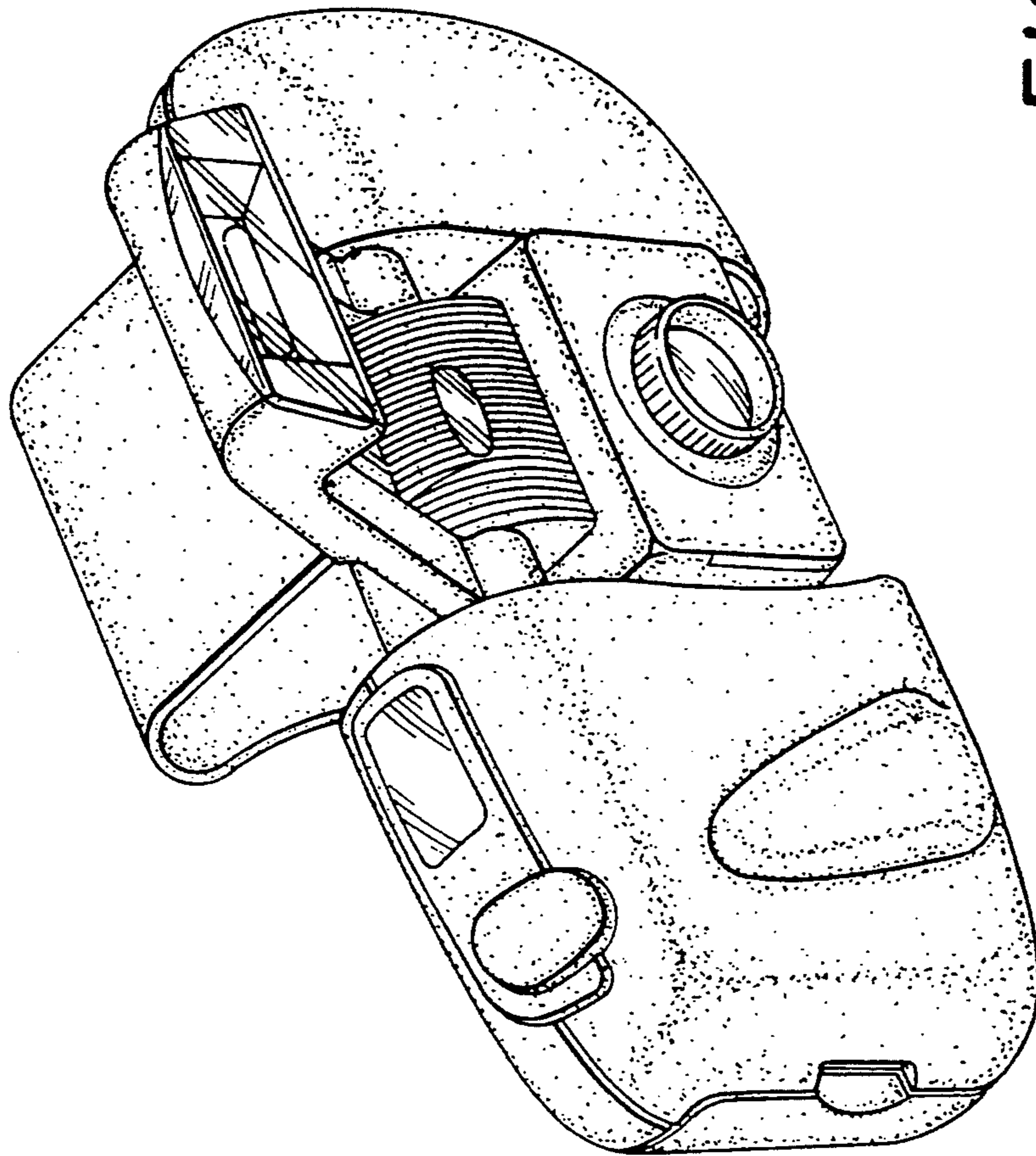


FIG. 13