



US00D351178S

# United States Patent [19] Pijlman

[11] Patent Number: **Des. 351,178**  
[45] Date of Patent: **\*\* Oct. 4, 1994**

[54] CAMERA CASING  
[75] Inventor: **Ron Pijlman**, Bothell, Wash.  
[73] Assignee: **ID Traders Limited**, Kowloon, Hong Kong  
[\*\*] Term: **14 Years**  
[21] Appl. No.: **884,570**  
[22] Filed: **May 18, 1992**  
[52] U.S. Cl. .... **D16/200; D16/204**  
[58] Field of Search ..... 354/64, 65; 446/57, 446/61, 230-232; D12/319; D16/200, 201, 203, 204; D21/82, 83, 87

4,803,504 2/1989 Maeno et al. .... 354/64  
4,989,024 1/1991 Myers ..... 354/76

### FOREIGN PATENT DOCUMENTS

2127312 4/1984 United Kingdom ..... 446/232

### OTHER PUBLICATIONS

Optical Engineering Mar.-Apr. 1977, p. 155 (Patz Camera).

*Primary Examiner*—Melvin B. Feifer  
*Assistant Examiner*—Adir Aronovich  
*Attorney, Agent, or Firm*—Carl G. Dowrey

### [57] CLAIM

The ornamental design for camera casing, as shown.

### [56] References Cited

#### U.S. PATENT DOCUMENTS

D. 41,900	11/1911	Ford	.....	D16/201
D. 115,727	7/1939	Anderson	.....	D16/201
D. 269,340	6/1983	Harold et al.	.....	D12/319
D. 270,839	10/1983	Greif	.....	D16/201
D. 275,571	9/1984	Carrington	.....	D16/204
D. 289,409	4/1987	Colani	.....	D16/218
D. 289,658	5/1987	Colani	.....	D16/200
D. 304,202	10/1989	Niitsu	.....	D16/204
D. 336,665	6/1993	Tugendhaft	.....	D21/87

### DESCRIPTION

FIG. 1 is a front, perspective view of a camera casing showing my new design;  
FIG. 2 is a front elevational view thereof;  
FIG. 3 is a right side elevational view thereof;  
FIG. 4 is a rear elevational view thereof;  
FIG. 5 is a left side elevational view thereof;  
FIG. 6 is a top plan view thereof; and,  
FIG. 7 is a bottom plan view thereof.

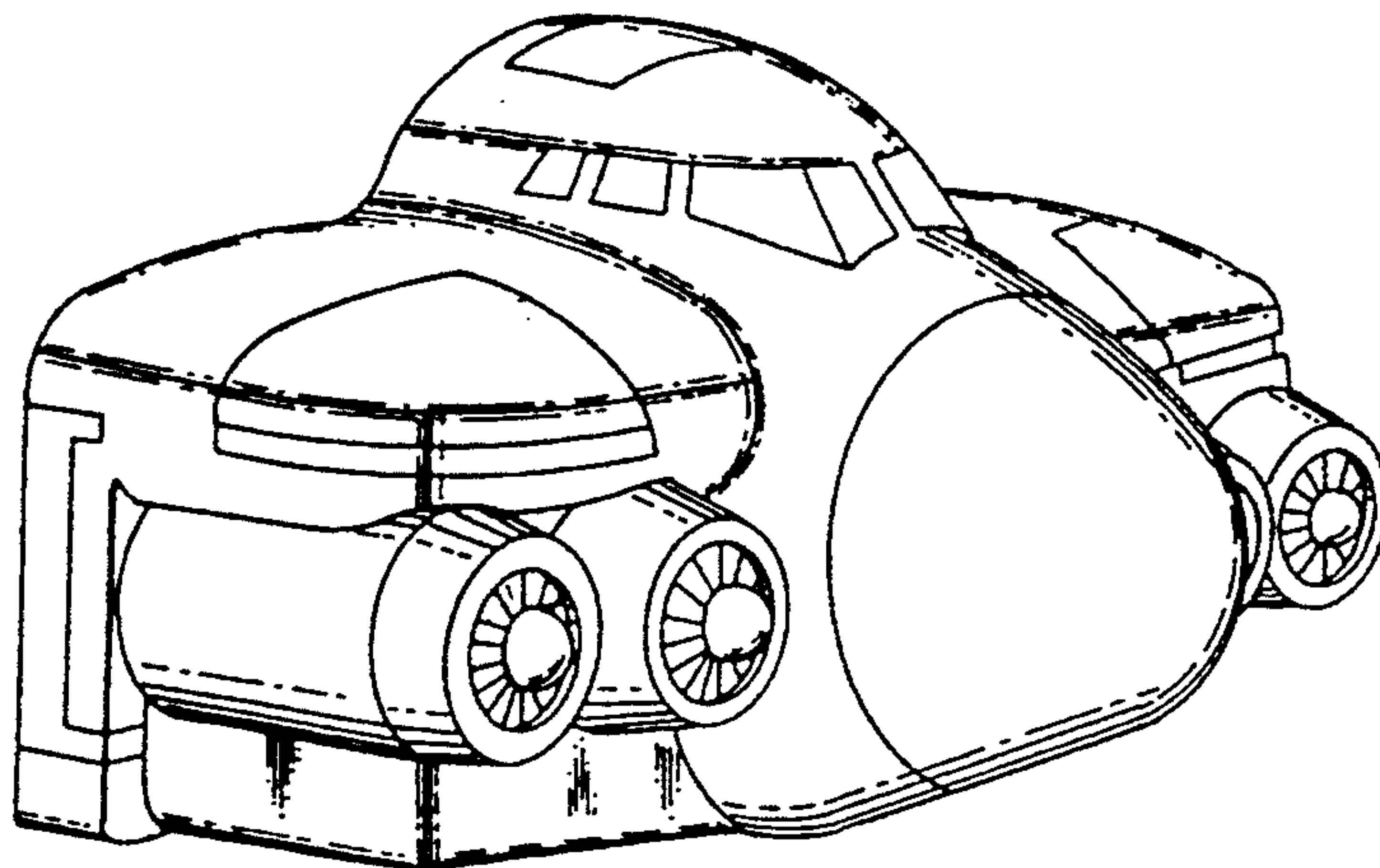


FIG. 1

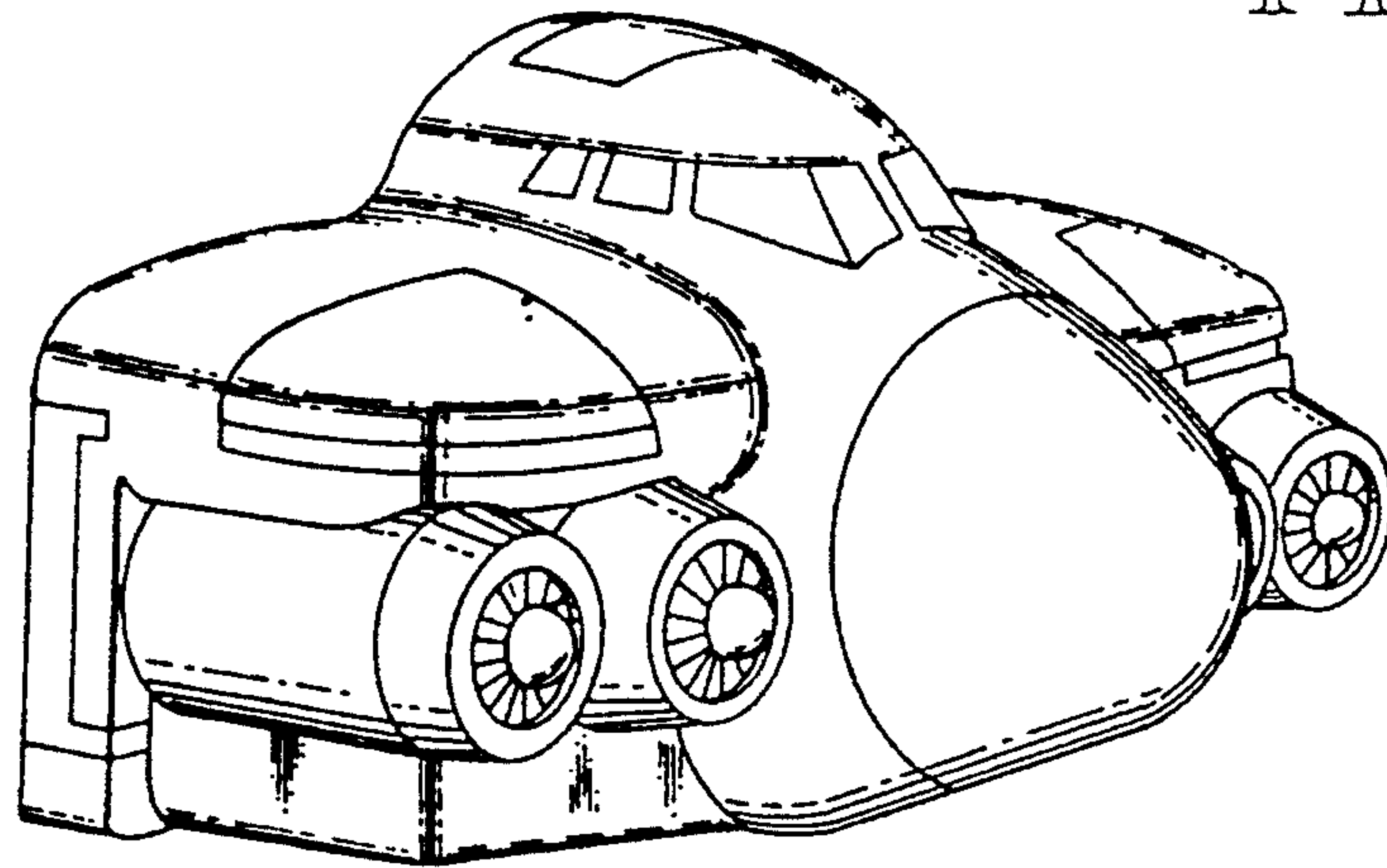


FIG. 2

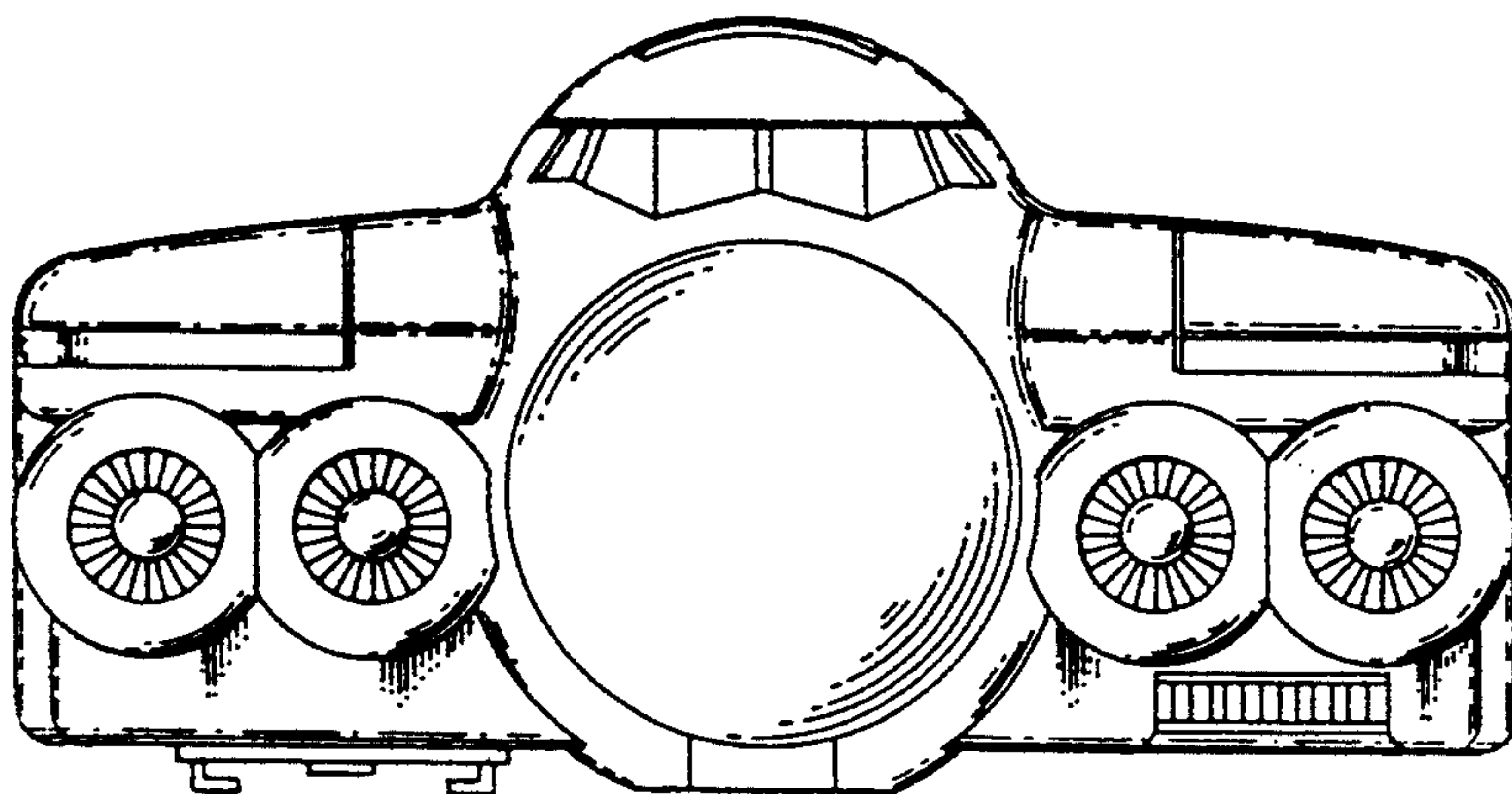


FIG. 3

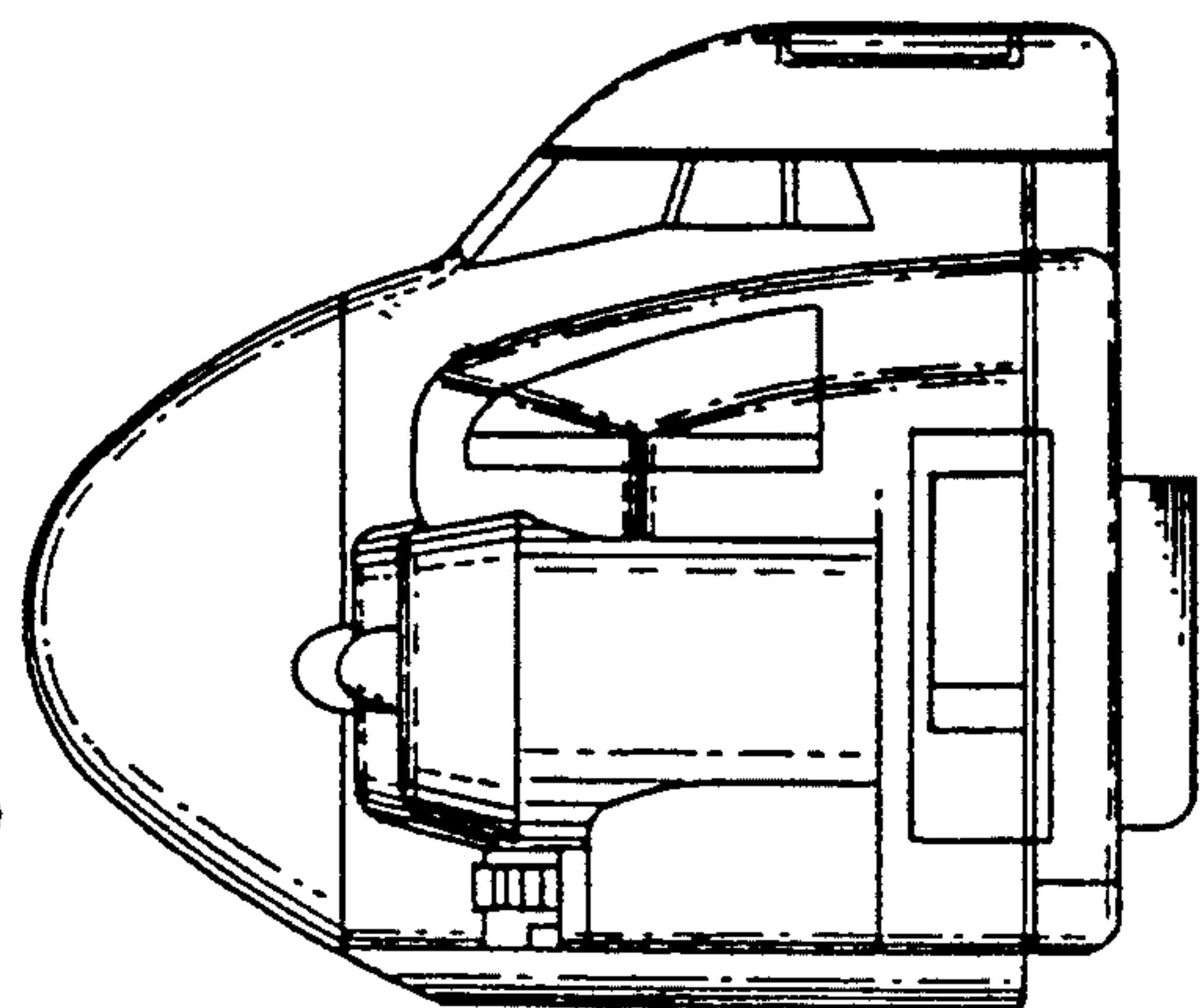


FIG. 4

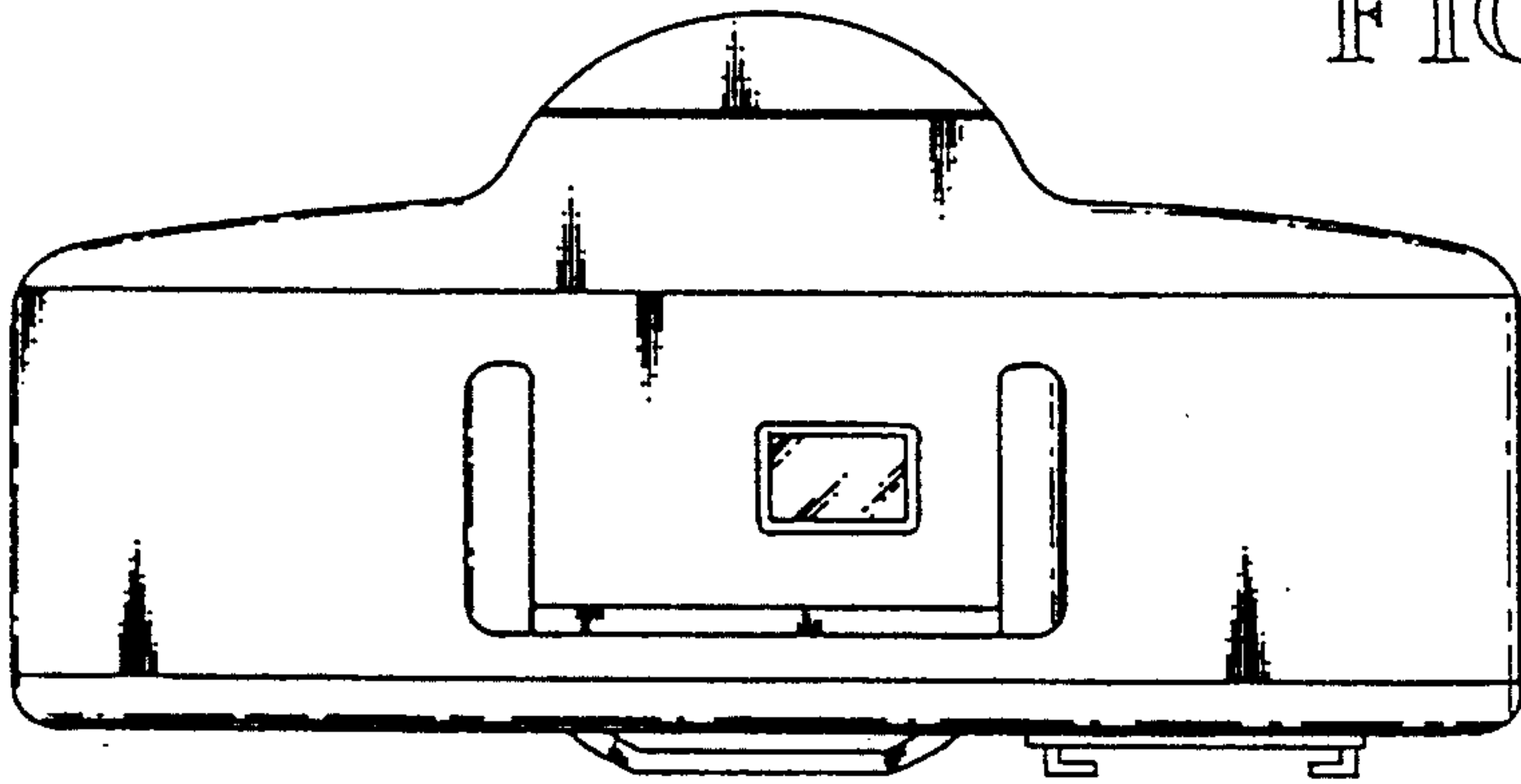


FIG. 5

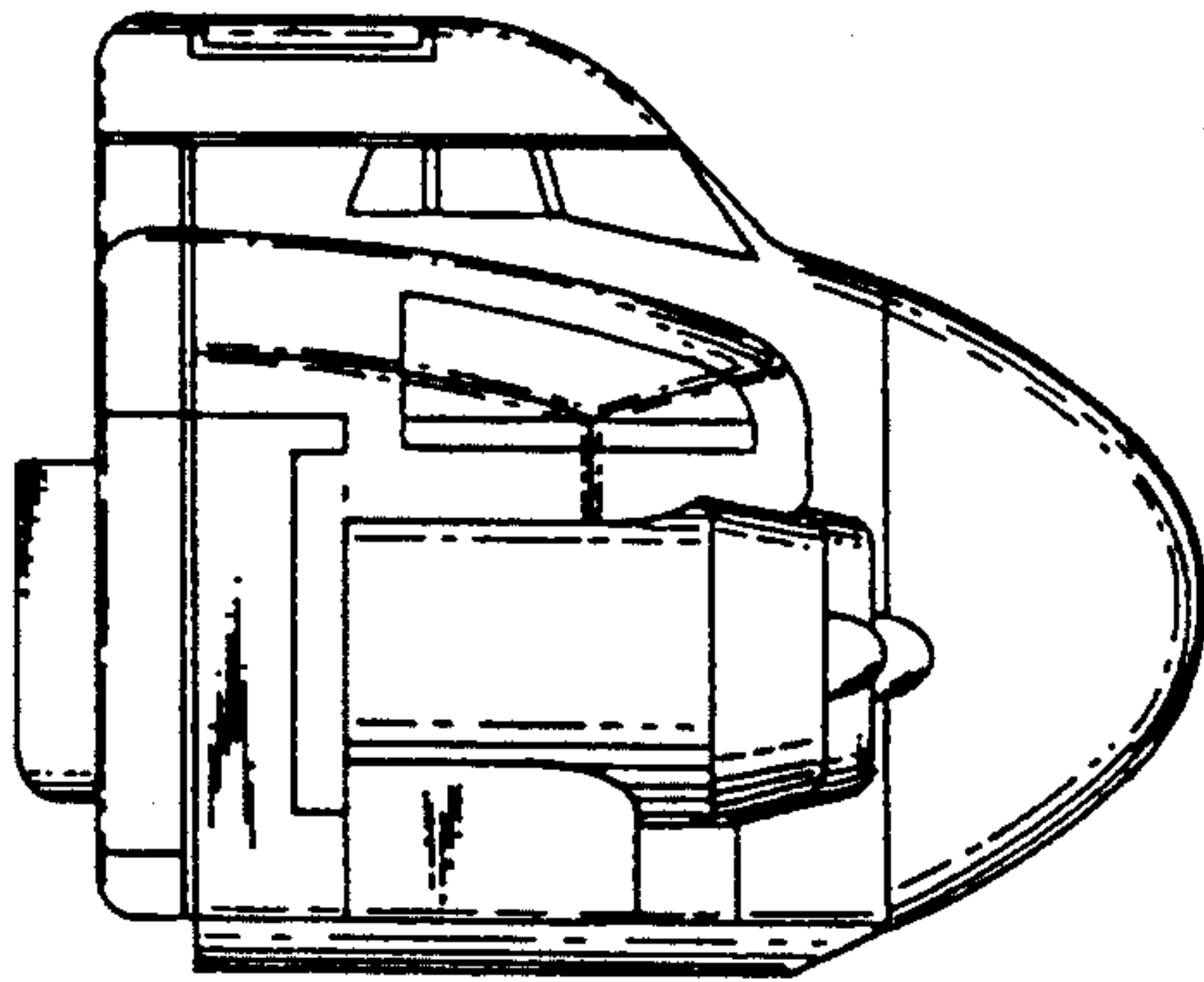


FIG. 6

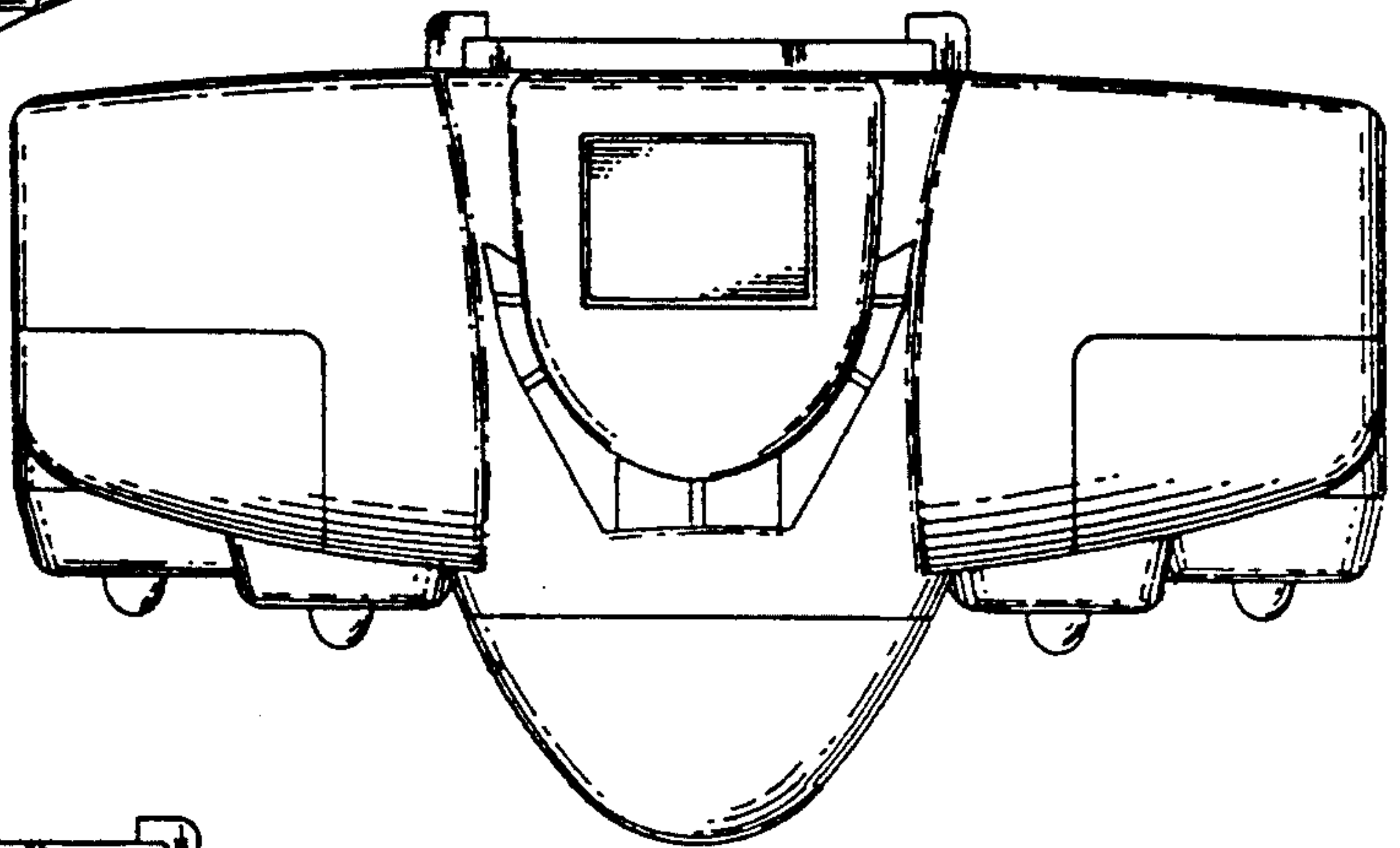


FIG. 7

