



US00D351172S

# United States Patent [19]

[11] Patent Number: Des. 351,172

Nakamura et al.

[45] Date of Patent: \*\* Oct. 4, 1994

## [54] HEADPHONE

[75] Inventors: **Mitsuhiro Nakamura; Hidefumi Goto,**  
both of Tokyo, Japan

[73] Assignee: **Sony Corporation,** Tokyo, Japan

[\*\*] Term: **14 Years**

[21] Appl. No.: **928,241**

[22] Filed: **Aug. 12, 1992**

[52] U.S. Cl. .... **D14/205**

[58] Field of Search ..... 181/129, 136, 137;  
379/430, 444; 381/25, 68, 158, 183, 187;  
D14/205, 206, 223

## [56] References Cited

### U.S. PATENT DOCUMENTS

D. 246,519	11/1977	Kato	.....	D14/205
D. 292,205	10/1987	Kikutani	.....	D14/205
D. 328,461	8/1992	Daido et al.	.....	D14/205
D. 337,115	7/1993	Yamazaki et al.	.....	D14/205

## OTHER PUBLICATIONS

Dealerscope Merchandising, Mar. 1988 p. 83 Labtec Model-LT-200 Headphone.

Stereo Review, Dec. 1988 p. 30 Azden Headphone.

Stereo Review, Jun. 1989 p. 57 Beyerdynamic DT 690 Headphone.

*Primary Examiner*—Bernard Ansher

*Assistant Examiner*—Sandra Morris

*Attorney, Agent, or Firm*—Lewis H. Eslinger; Jay H. Maioli

## [57] CLAIM

The ornamental design for a headphone, as shown.

## DESCRIPTION

FIG. 1 is a top, front and right-side perspective view of a headphone showing our new design;

FIG. 2 is a right-side perspective view thereof, shown with headband in the expanded position;

FIG. 3 is a front elevational view thereof;

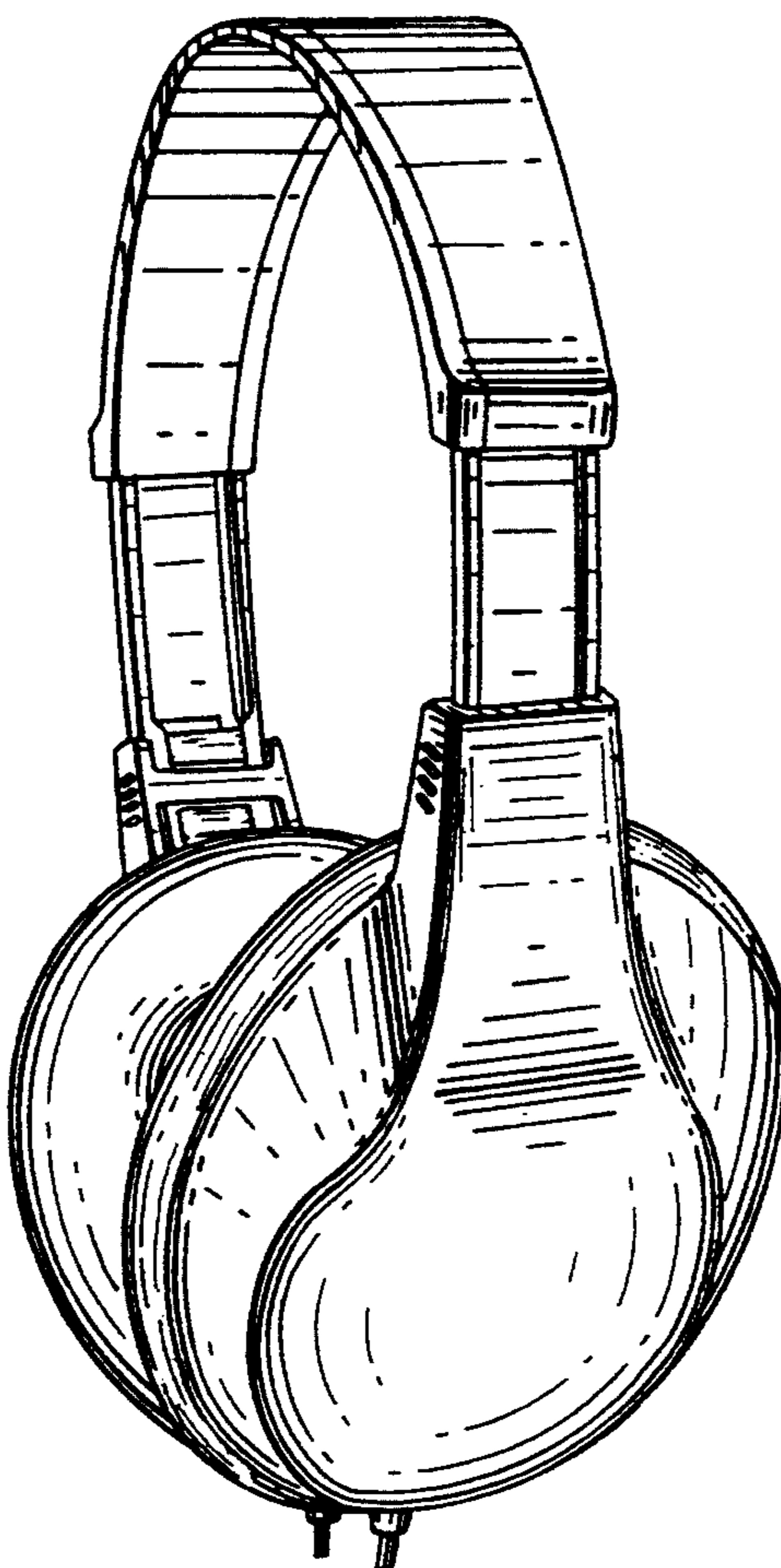
FIG. 4 is a rear elevational view thereof;

FIG. 5 is a left-side elevational view thereof;

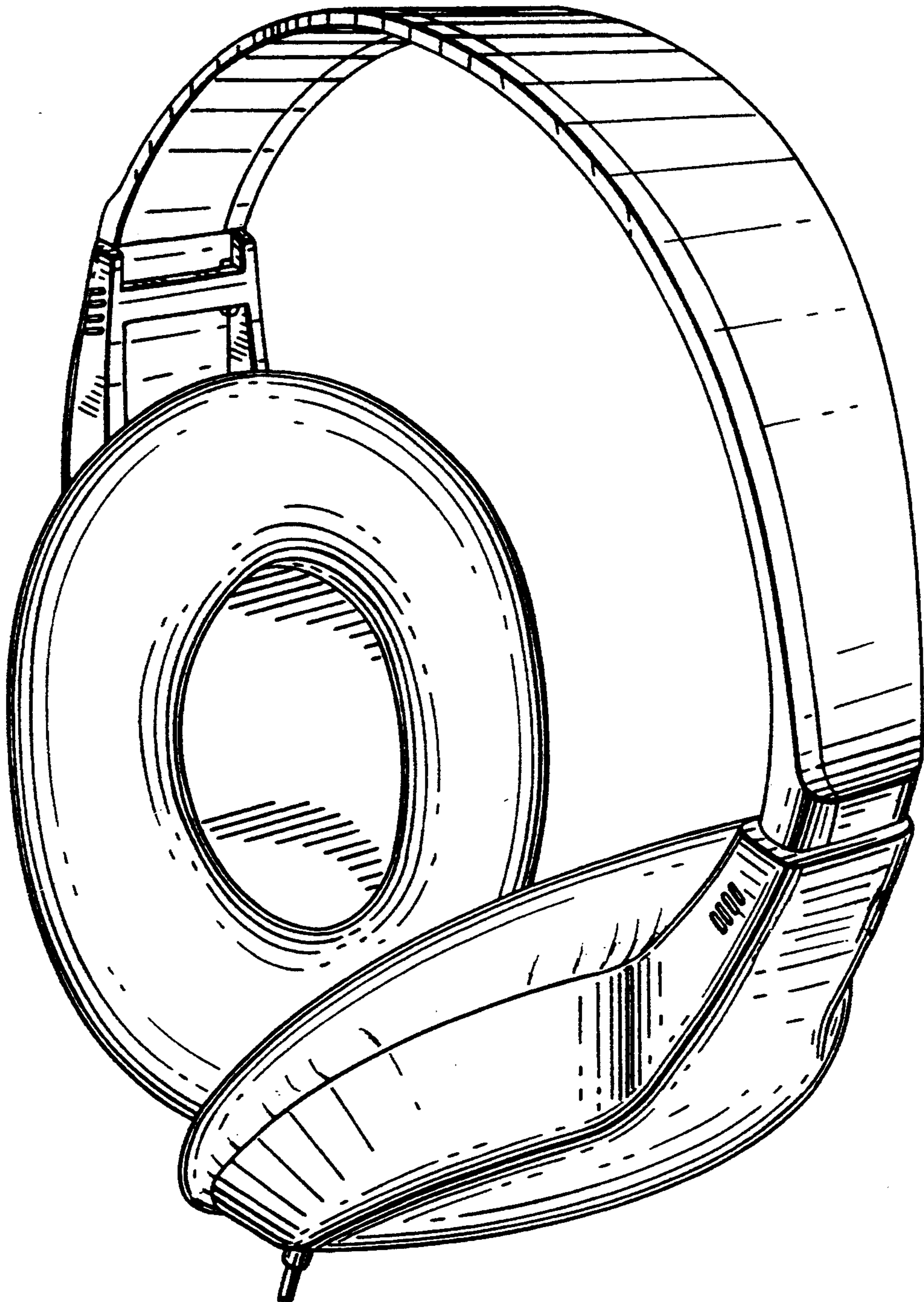
FIG. 6 is a right-side elevational view thereof;

FIG. 7 is a top plan view thereof; and,

FIG. 8 is a bottom plan view thereof.



*FIG. 1*



*FIG. 2*

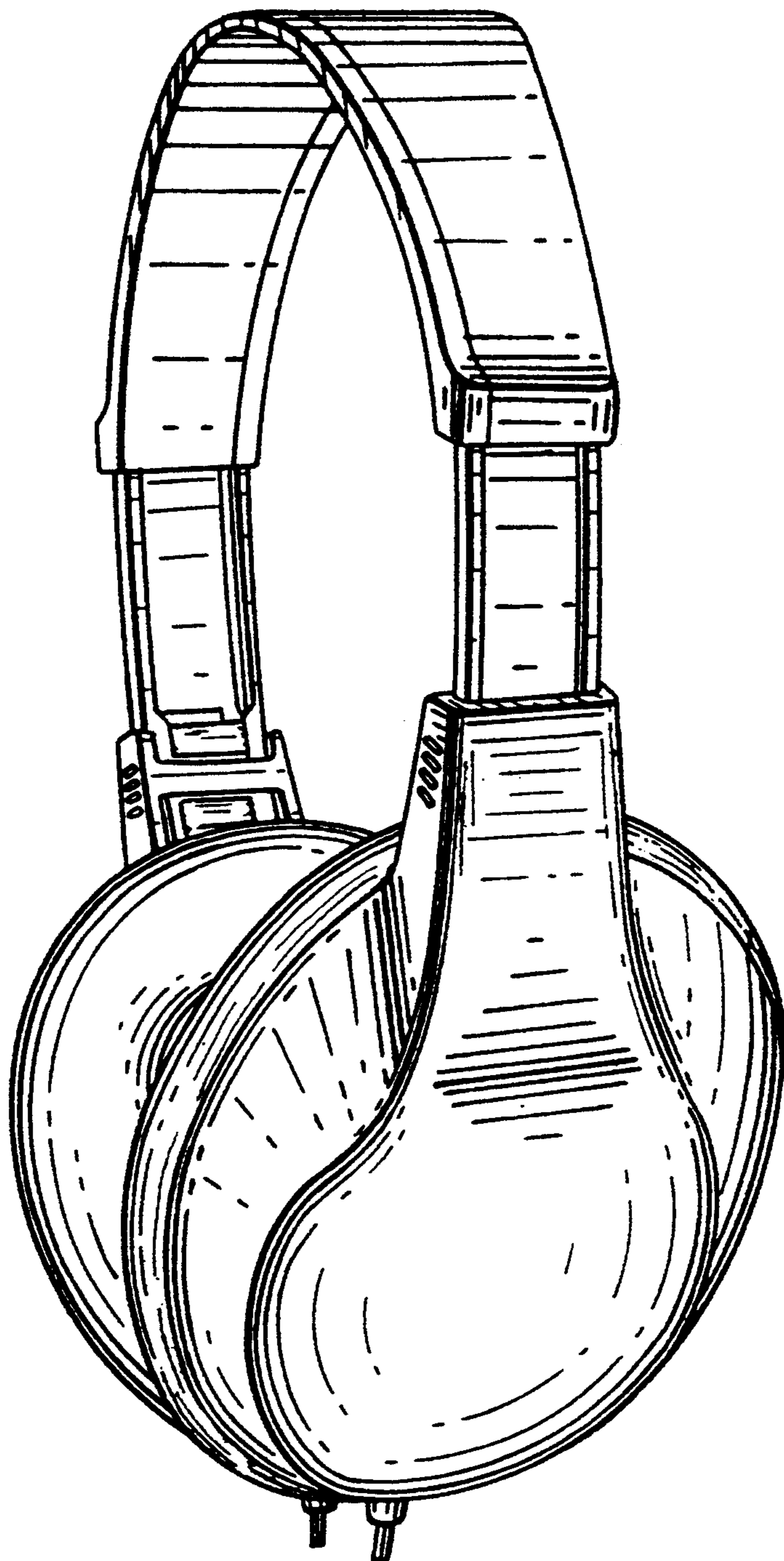


FIG. 5

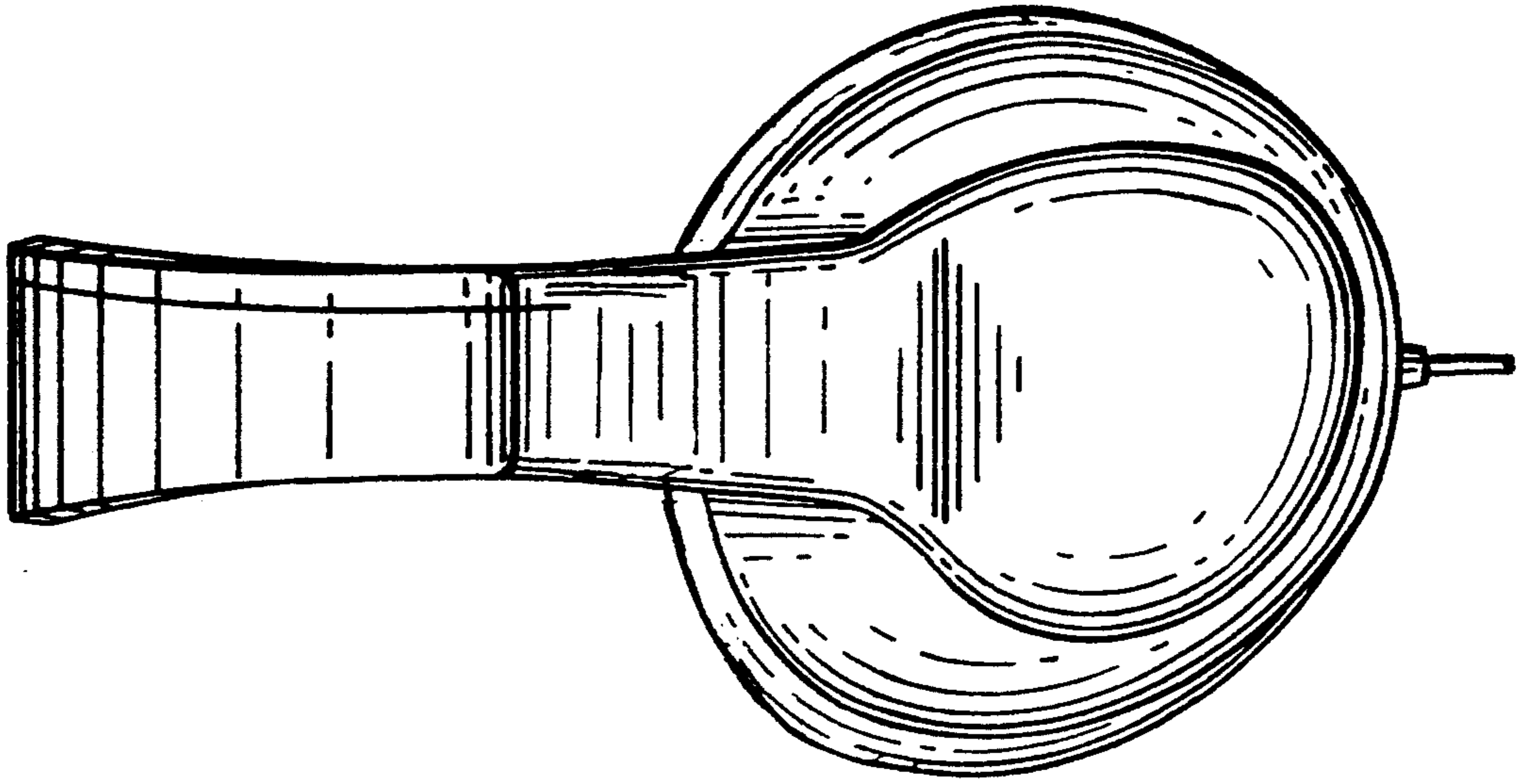
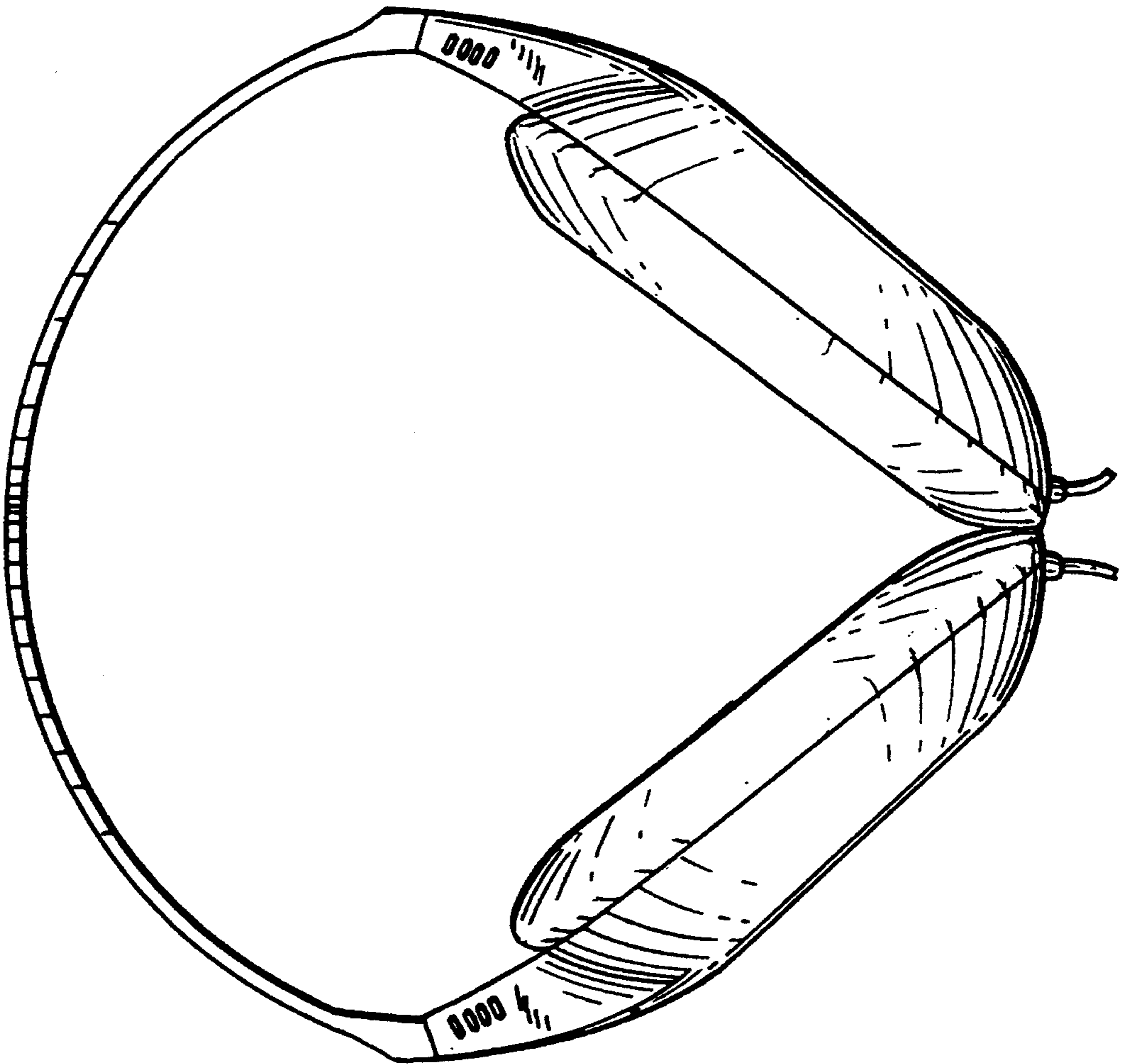
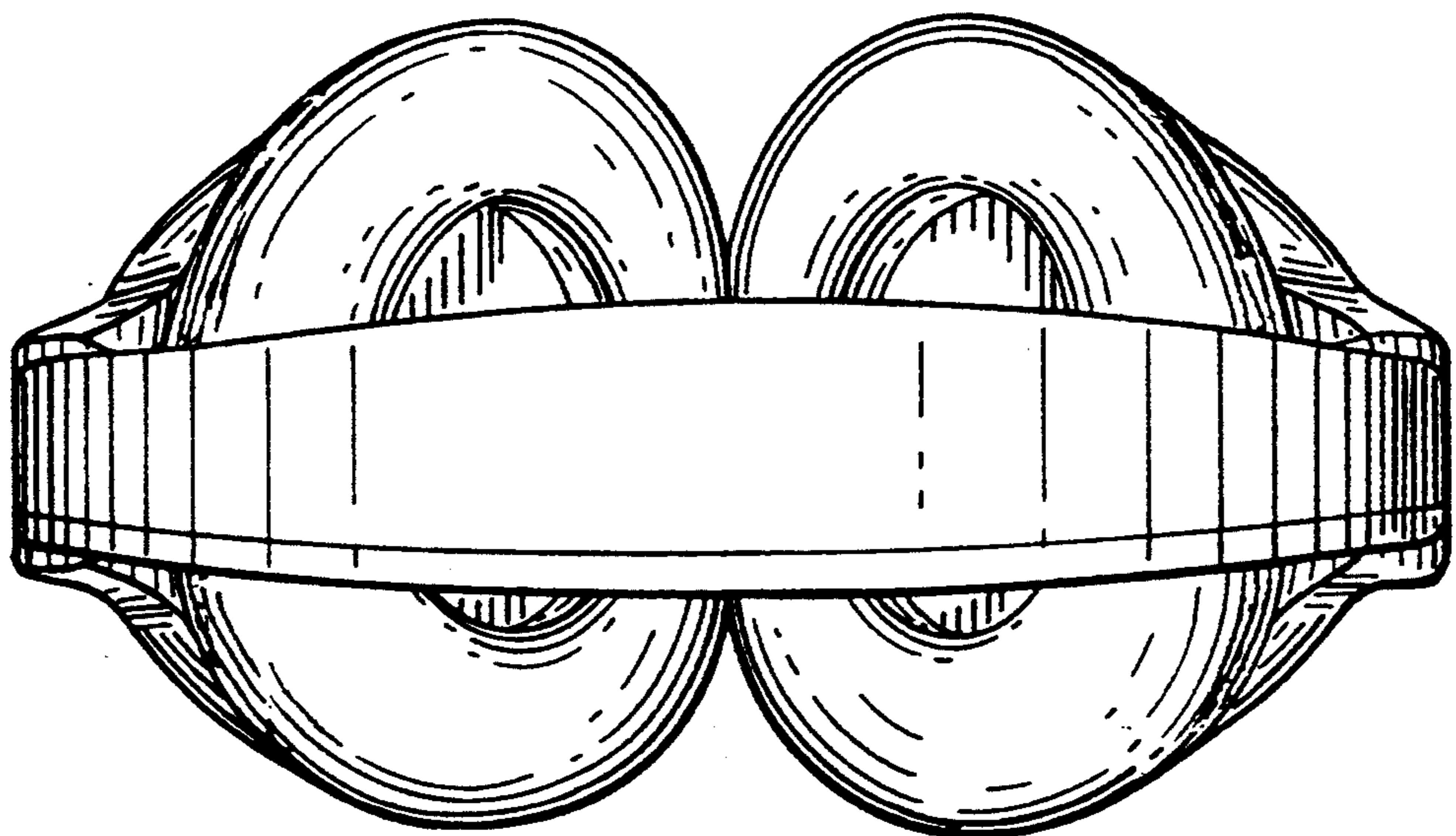
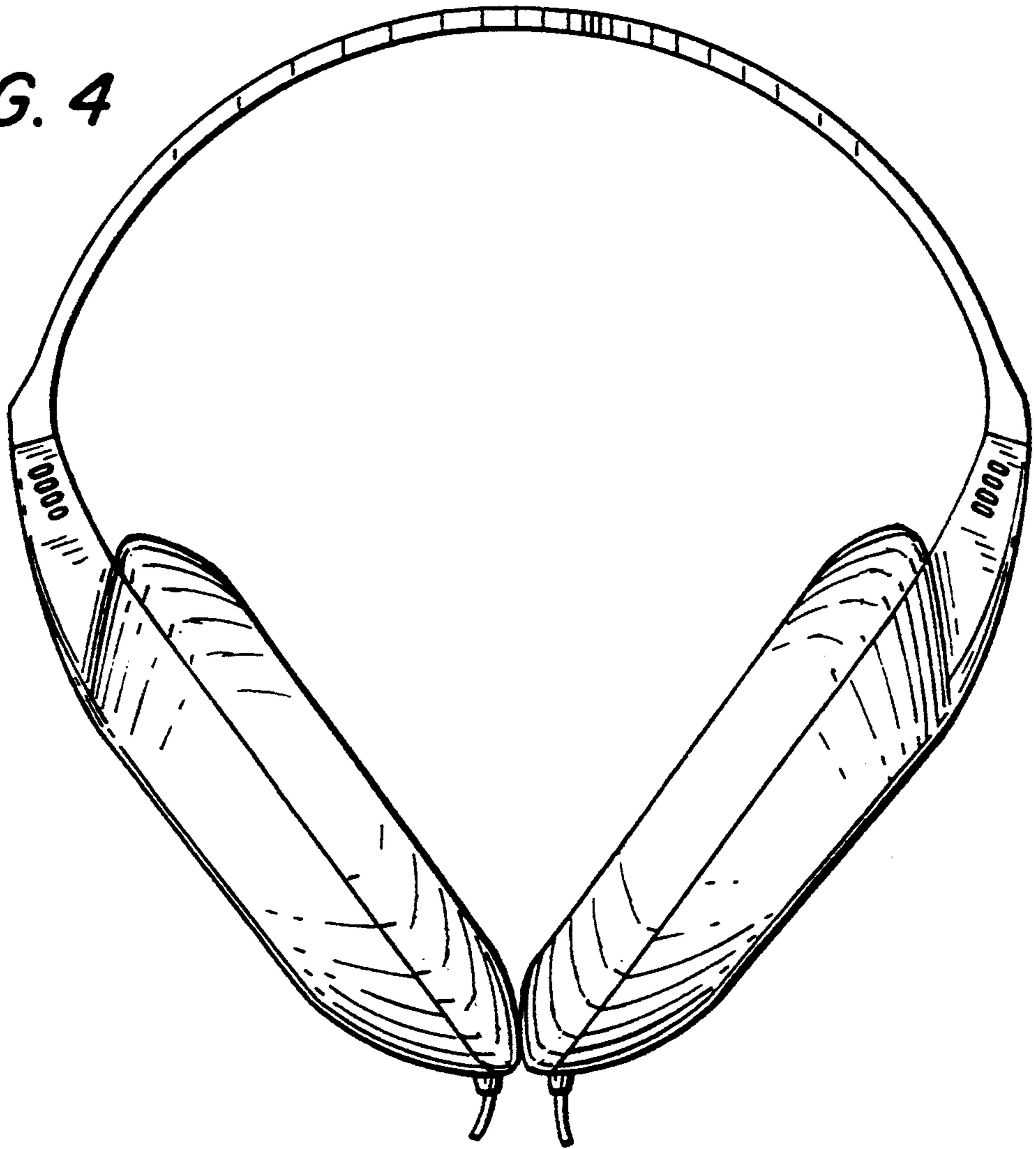


FIG. 3

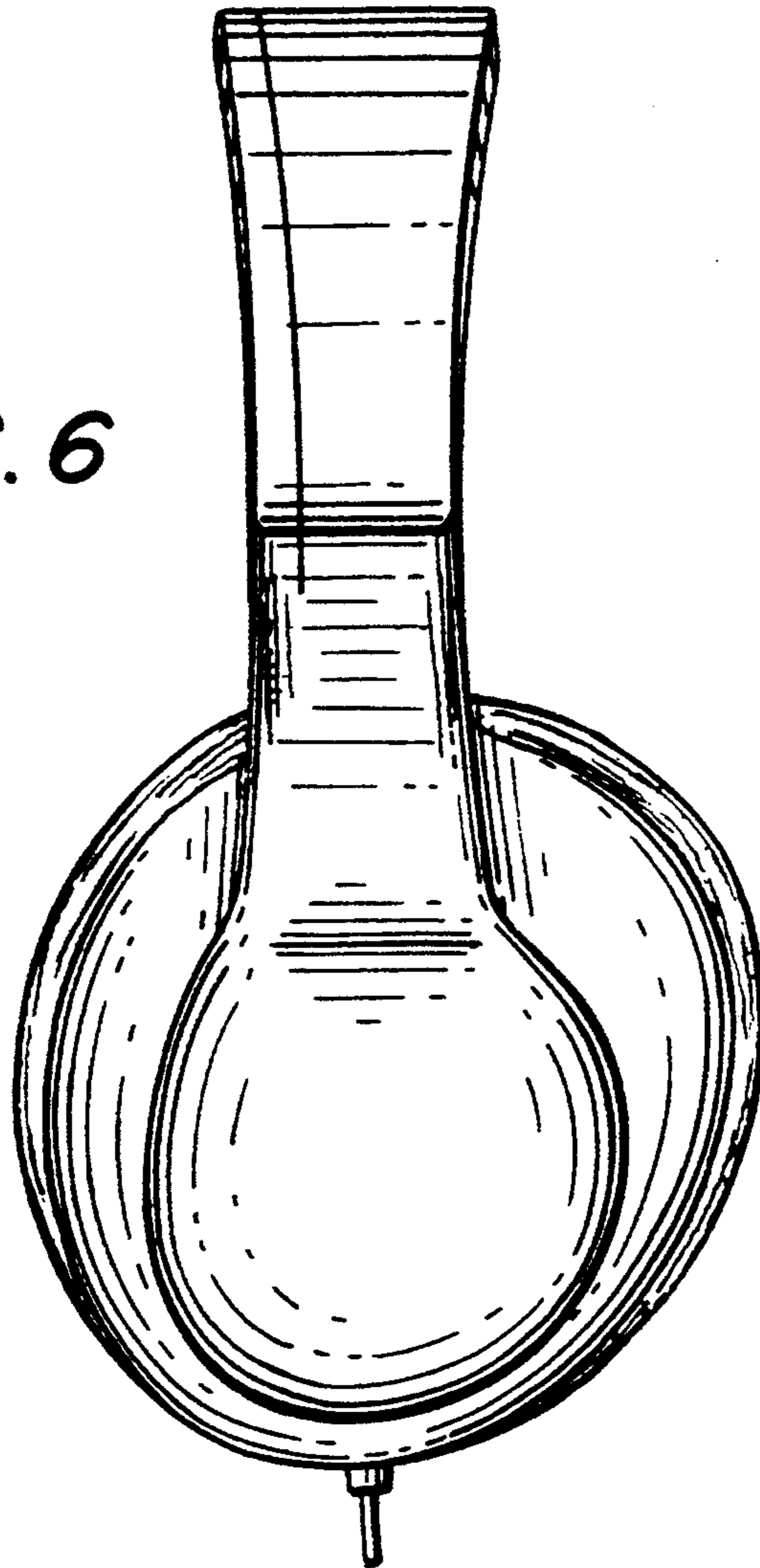


*FIG. 4*



*FIG. 7*

*FIG. 6*



*FIG. 8*

