



US00D351153S

United States Patent [19]

Kim et al.

[11] Patent Number: **Des. 351,153**

[45] Date of Patent: **** Oct. 4, 1994**

- [54] **REEL-DOWN FOR A VIDEO CASSETTE**
- [75] Inventors: **Seong-Han Kim; Sung-Pyo Hong; Gi-Hoon Yang**, all of Cheonan, Rep. of Korea
- [73] Assignee: **SKC Limited**, Suwan, Rep. of Korea
- [**] Term: **14 Years**
- [21] Appl. No.: **8,479**
- [22] Filed: **May 17, 1993**
- [30] **Foreign Application Priority Data**
- Nov. 17, 1992 [KR] Rep. of Korea 92-19380
- [52] U.S. Cl. **D14/122; D14/121**
- [58] Field of Search 242/71.8, 116, 197-200; D14/120-123, 299

- [56] **References Cited**
- U.S. PATENT DOCUMENTS**
- D. 289,518 4/1987 Kikuchi D14/121
- D. 293,435 12/1987 Maeda D14/122
- D. 293,436 12/1987 Maeda D14/122
- D. 293,569 1/1988 Igarashi D14/122
- D. 304,585 11/1989 Kano D14/122
- 4,457,474 7/1984 Okamura et al. 242/199

4,512,534 4/1985 Coy, Jr. et al. 242/198

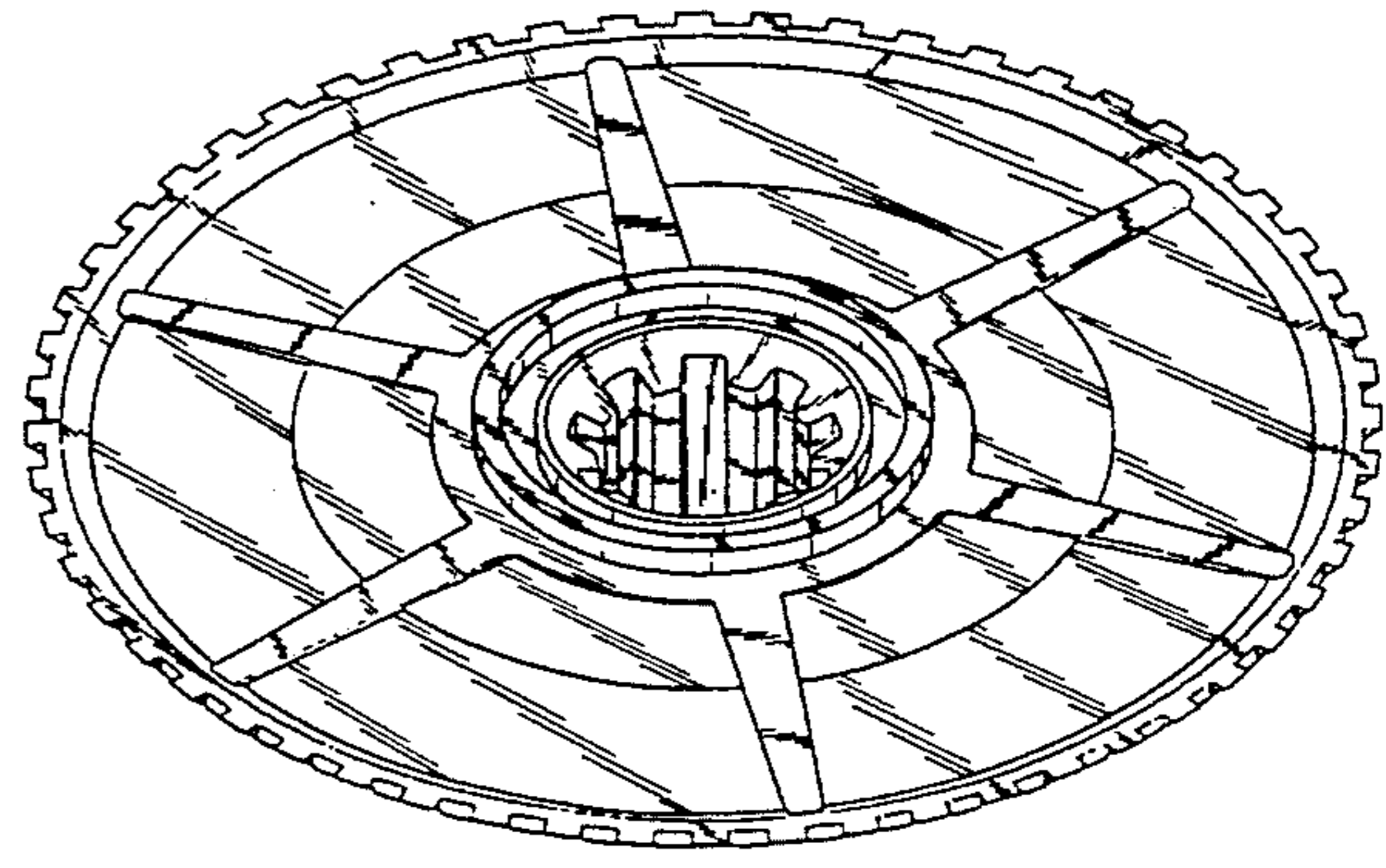
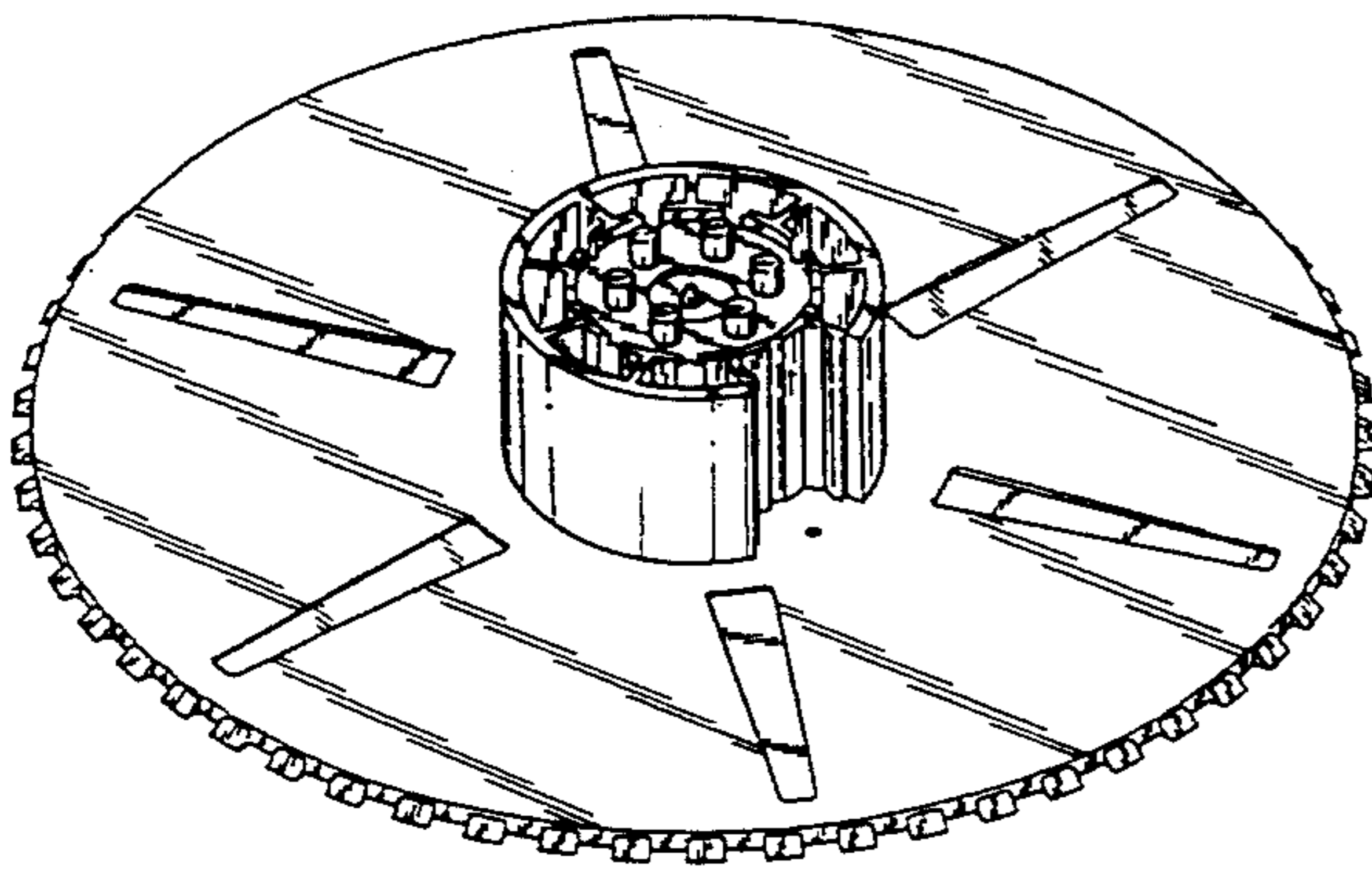
Primary Examiner—Theodore M. Shooman
Attorney, Agent, or Firm—William F. Pinsak

[57] CLAIM

The ornamental design for a reel-down for a video cassette, as shown and described.

DESCRIPTION

FIG. 1 is a top perspective view of a reel-down for a video cassette showing our new design; FIG. 2 is a bottom perspective view thereof; FIG. 3 is a top plan view thereof; FIG. 4 is a front elevational view thereof; FIG. 5 is a rear elevational view thereof; FIG. 6 is a bottom plan view thereof; FIG. 7 is a side elevational view thereof; FIG. 8 is a sectional view of the reel-down, taken along line 8—8 in FIG. 3; FIG. 9 is a sectional view of the reel-down, taken along line 9—9 in FIG. 3; and, FIG. 10 is a perspective view thereof. The broken line showing of the conventional reel-up in FIG. 10 is for illustrative purposes only and forms no part of the claimed design.



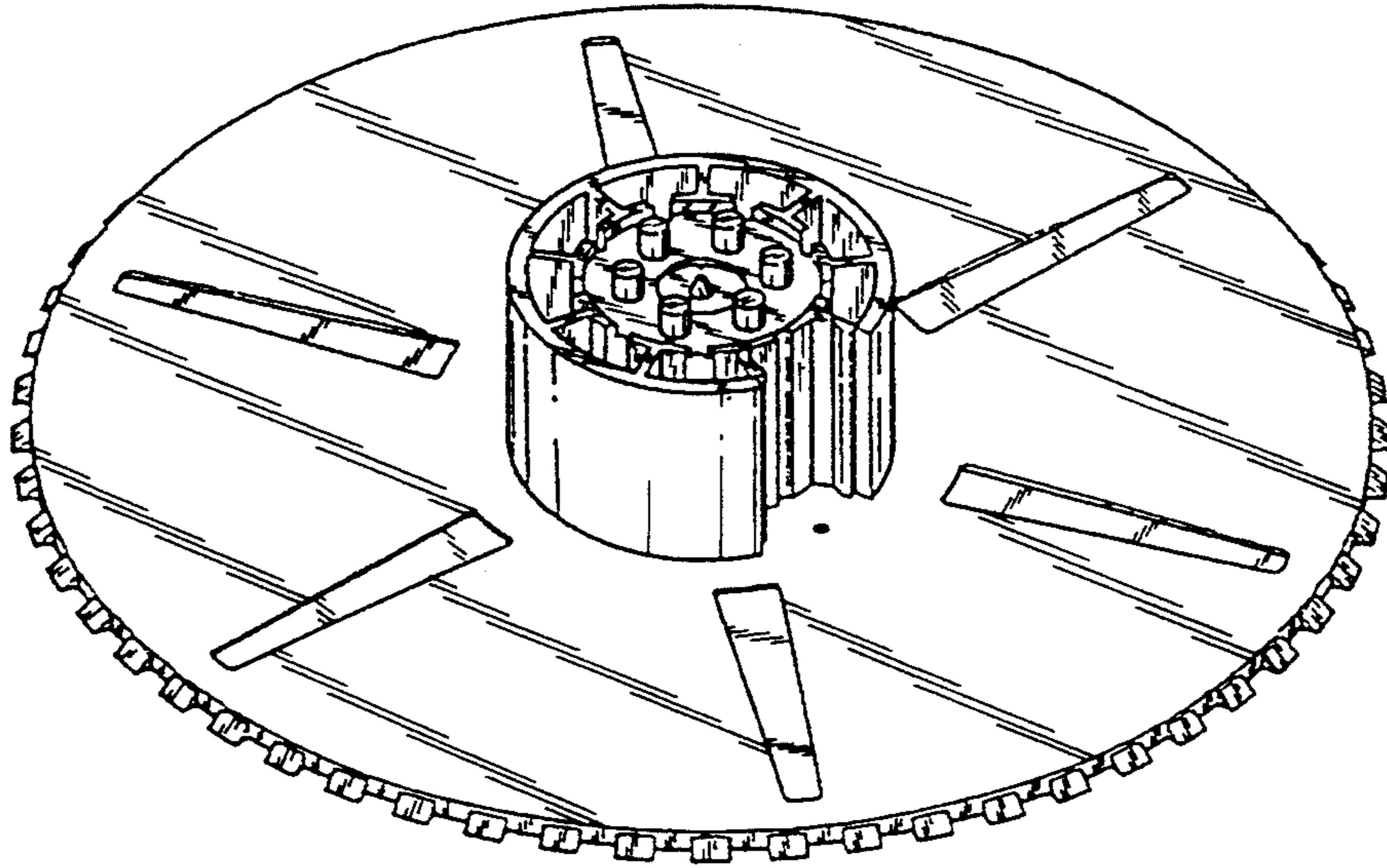


FIG. 1

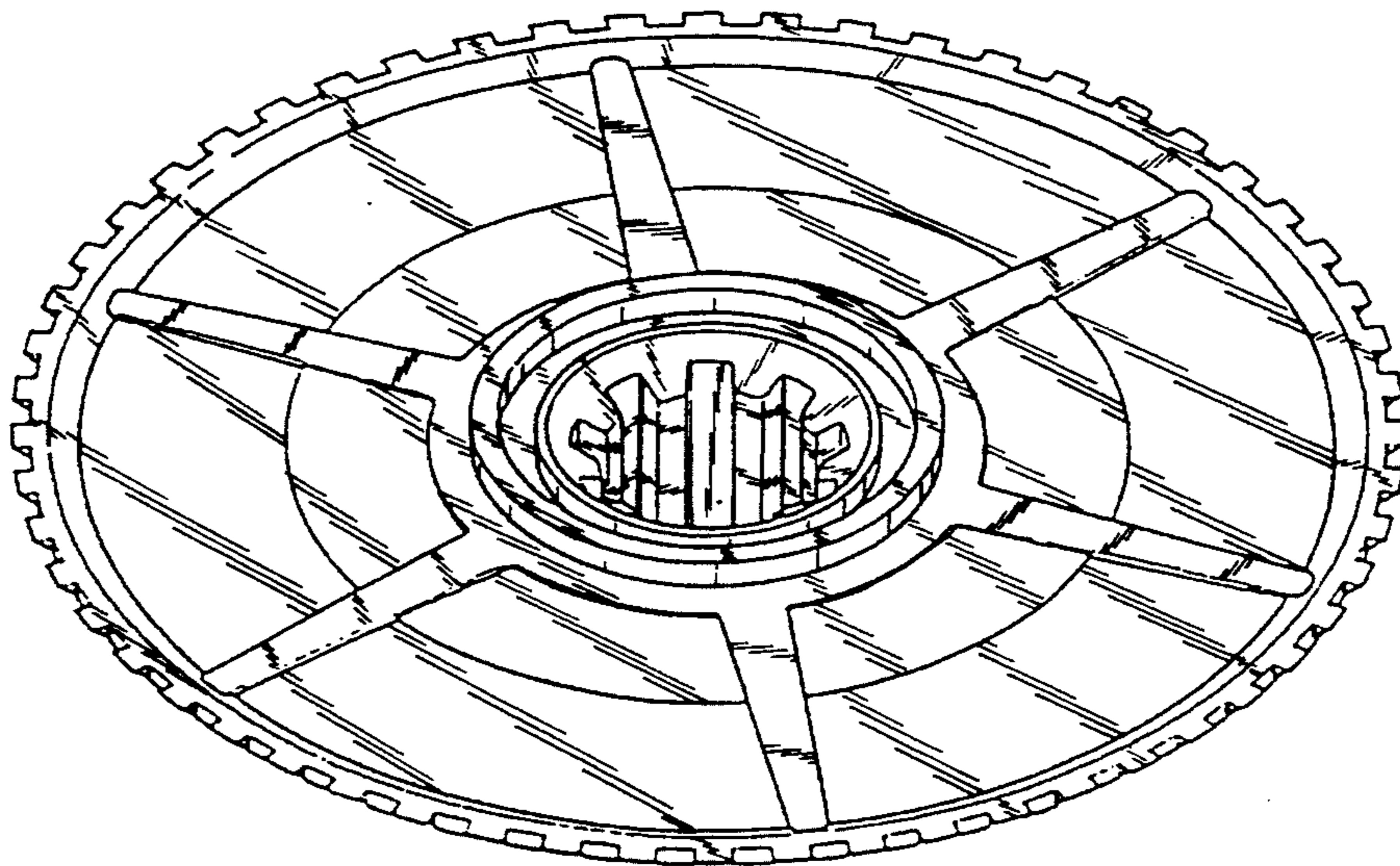


FIG. 2

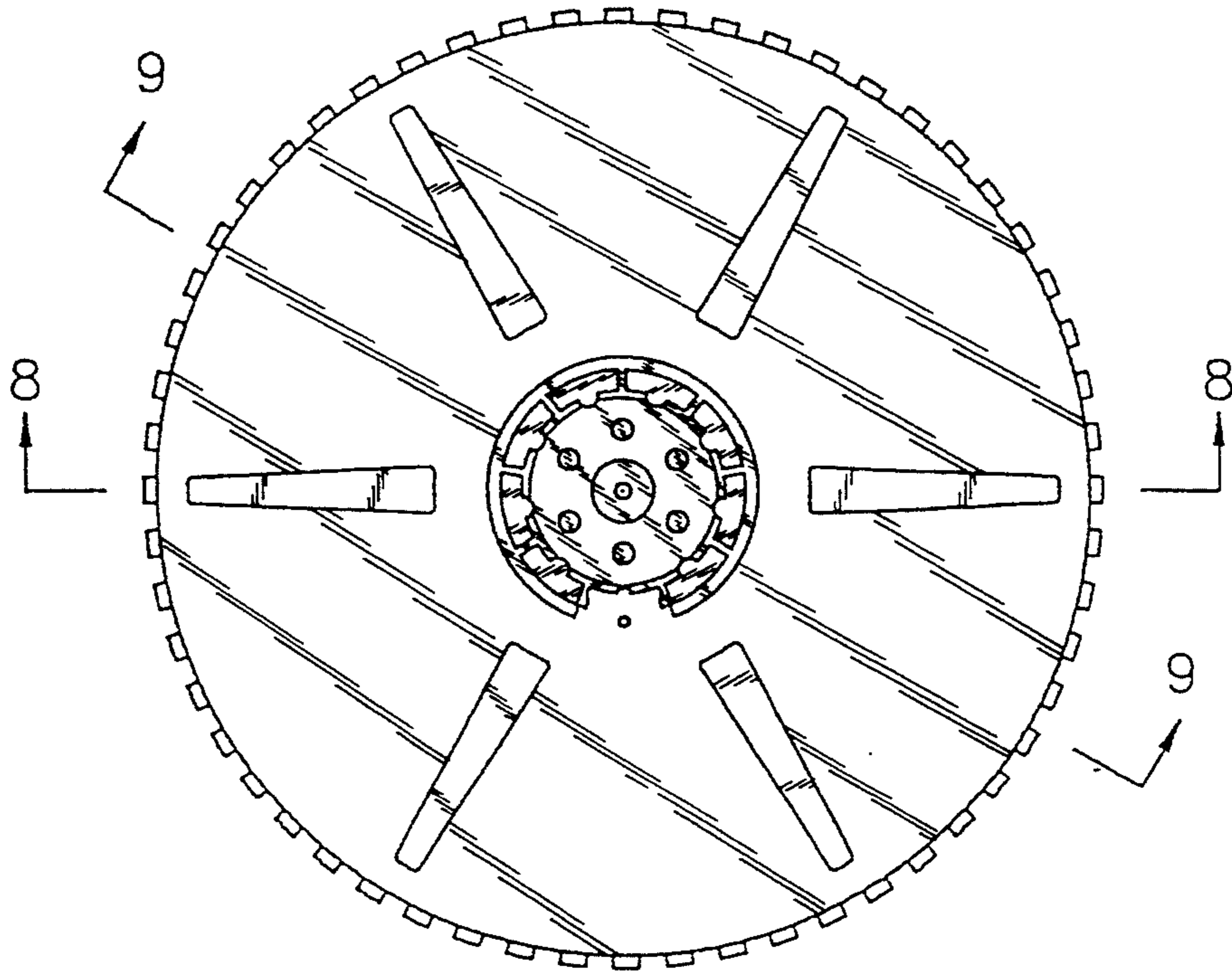


FIG. 3

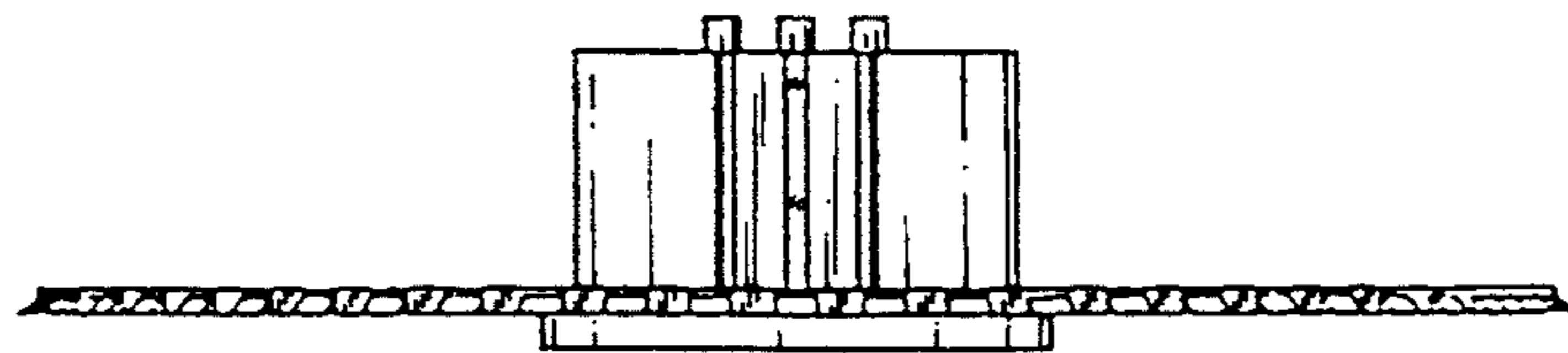


FIG. 4

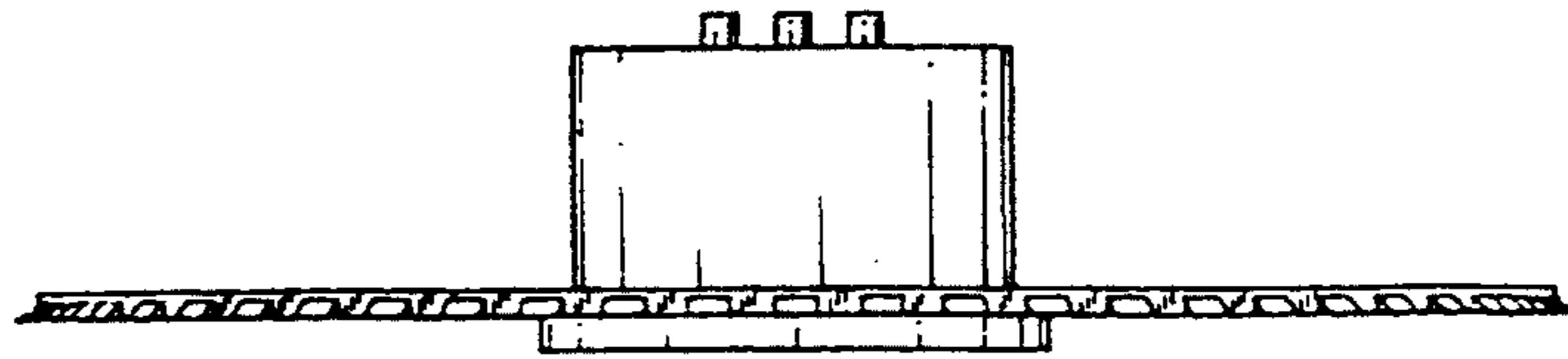


FIG. 5

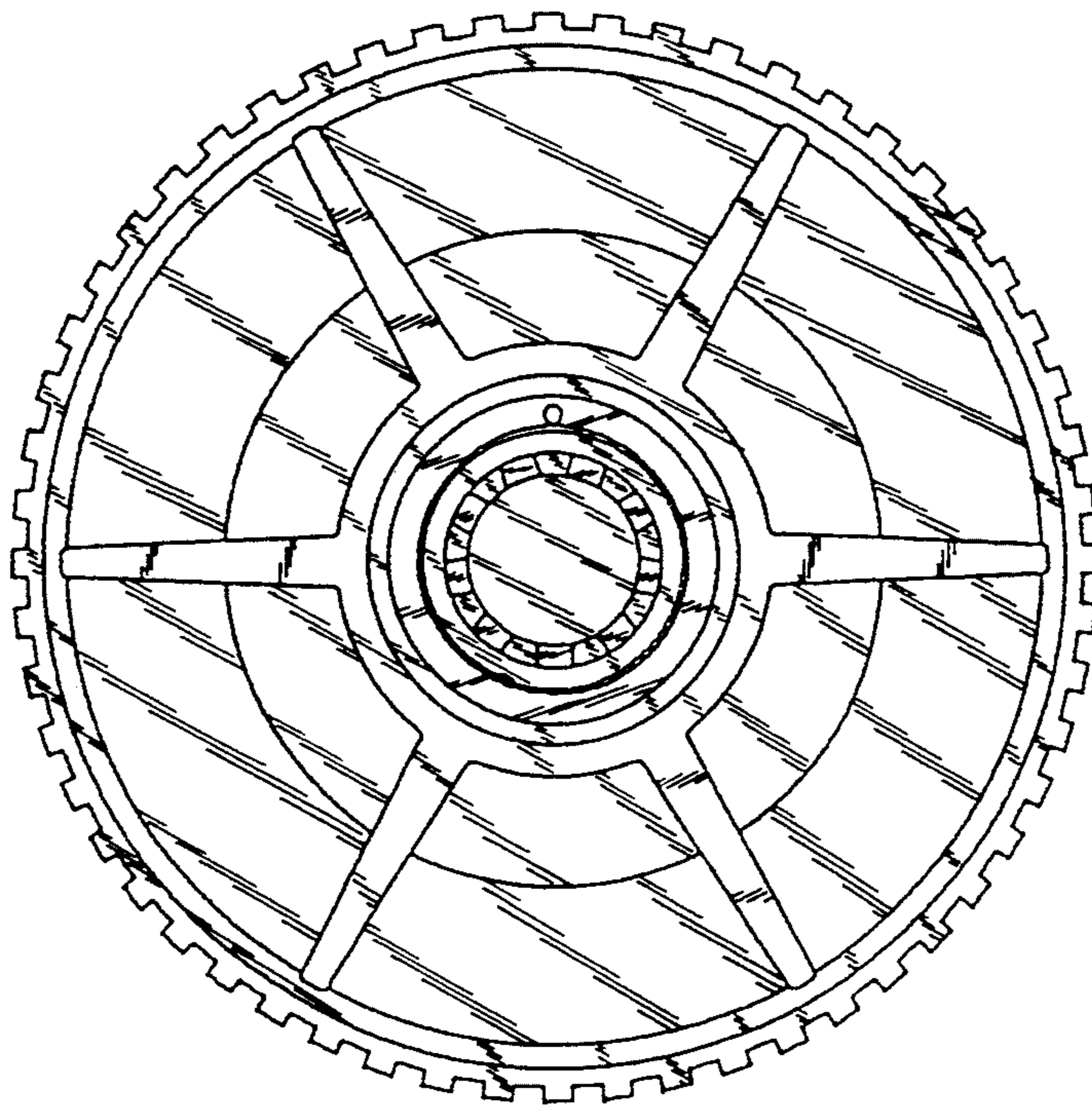


FIG. 6

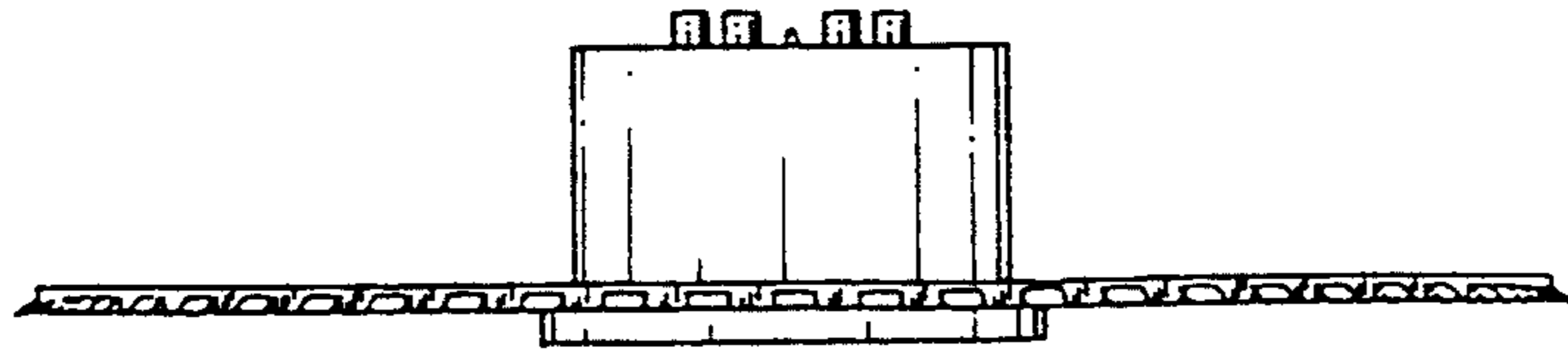


FIG. 7

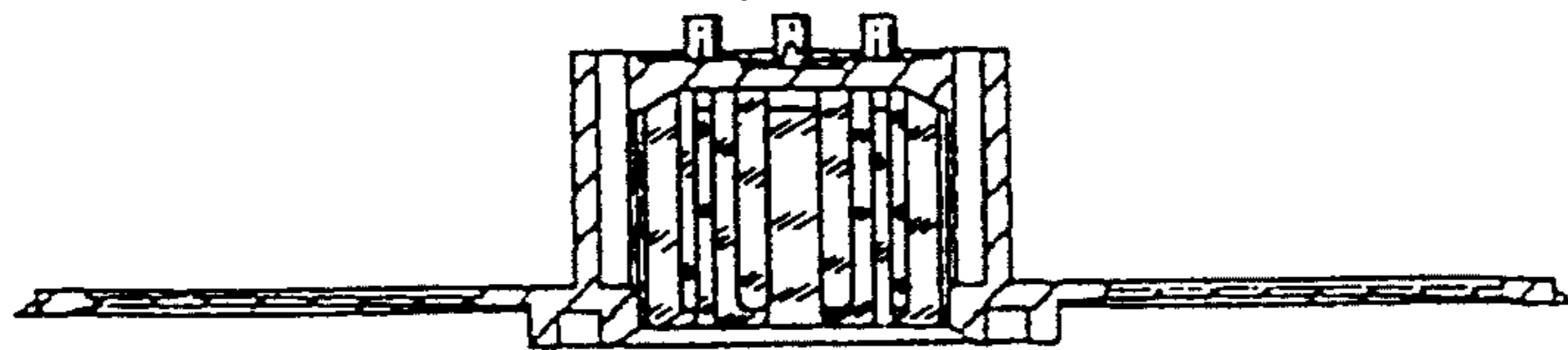


FIG. 8

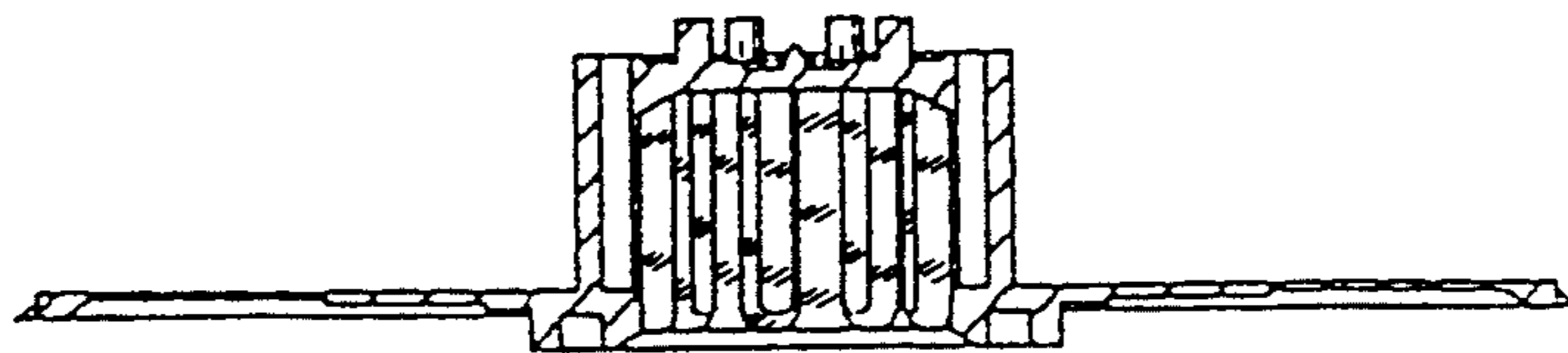


FIG. 9

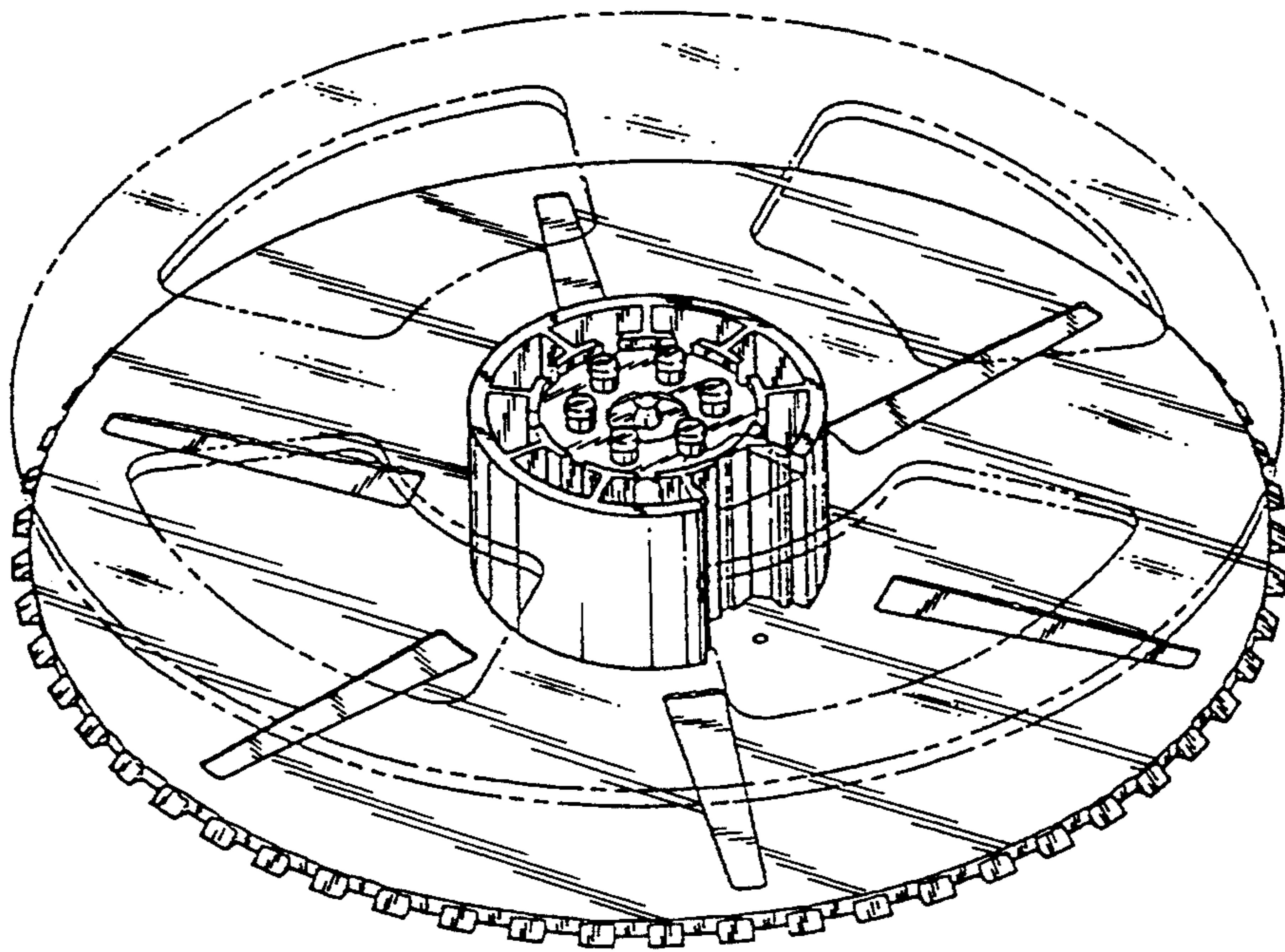


FIG. 10