



US00D351152S

United States Patent [19]
Liu

[11] **Patent Number: Des. 351,152**
[45] **Date of Patent: ** Oct. 4, 1994**

[54] **NAME CARD SCANNER**

[75] **Inventor: Ted Liu, Taipei, Taiwan**
[73] **Assignee: Silitek Corporation, Taipei, Taiwan**
[**] **Term: 14 Years**
[21] **Appl. No.: 1,544**

[22] **Filed: Nov. 18, 1992**
[52] **U.S. Cl. D14/116**
[58] **Field of Search 235/375, 378, 385, 454,**
235/462, 472, 486; 354/80-82; 382/58-69;
250/203.1, 216, 566, 568; D19/41-51;
D14/100, 114, 116

[56] **References Cited**
U.S. PATENT DOCUMENTS

D. 304,827	11/1989	Kubota	D14/116
D. 306,855	3/1990	Kubota et al.	D14/116
D. 307,749	5/1990	Kubota et al.	D14/116
D. 335,661	5/1993	Shepard	D14/116
5,045,842	9/1991	Galvin	74/471 XY X

OTHER PUBLICATIONS

Global Computer Supply catalog item hand scanner, p. 48, Jul. 1989.

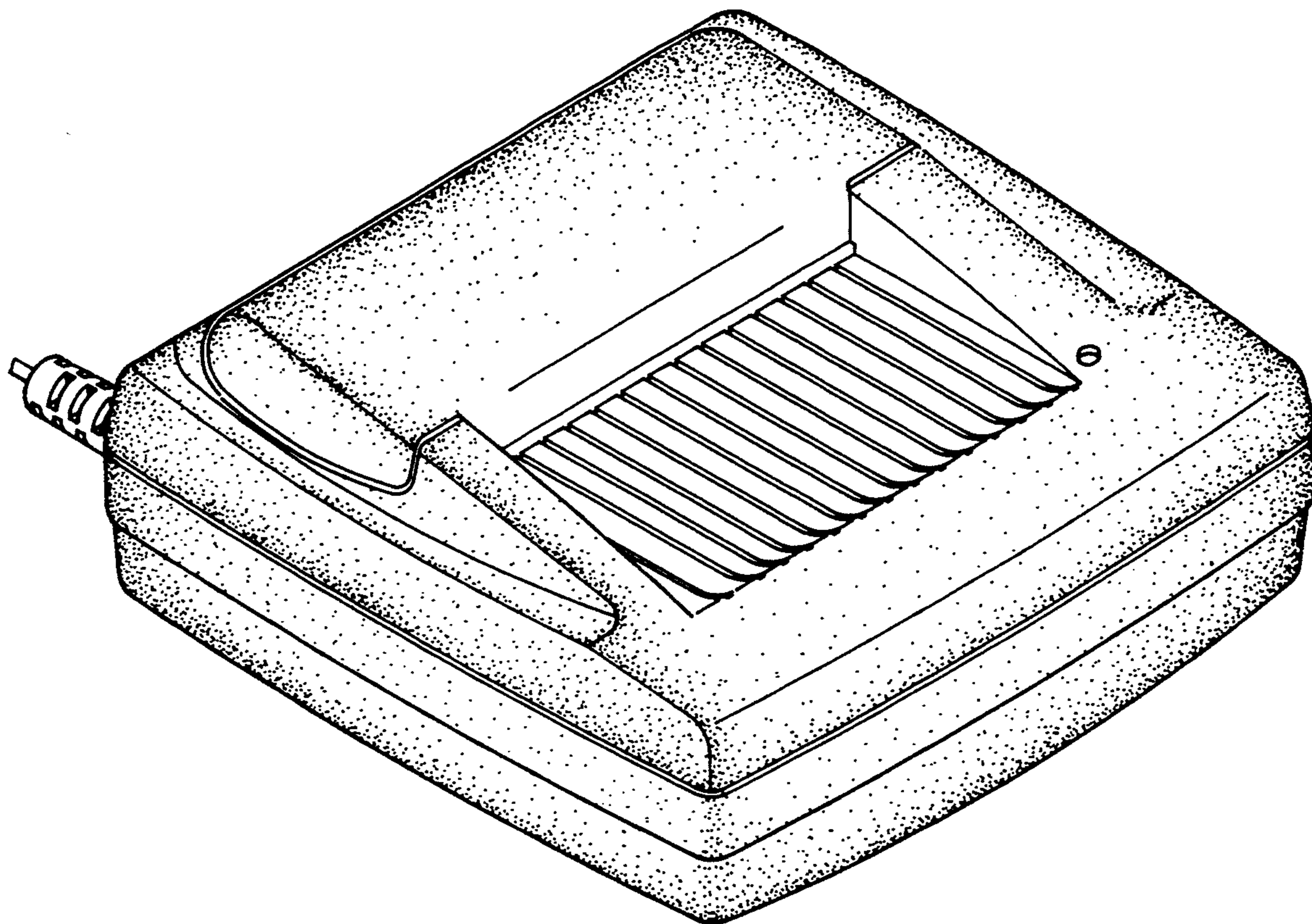
Primary Examiner—Wallace R. Burke
Assistant Examiner—M. H. Tung
Attorney, Agent, or Firm—Lowe, Price, LeBlanc & Becker

[57] **CLAIM**

The ornamental design for a name card scanner, as shown and described.

DESCRIPTION

FIG. 1 is a perspective view thereof;
FIG. 2 is a front view thereof;
FIG. 3 is a rear view thereof;
FIG. 4 is a right side view thereof;
FIG. 5 is a left side view thereof;
FIG. 6 is a top view thereof;
FIG. 7 is a bottom view thereof; and,
FIG. 8 is a second embodiment thereof, all sides are identical to the first embodiment except for the top planar surface adjacent to the ribbing.



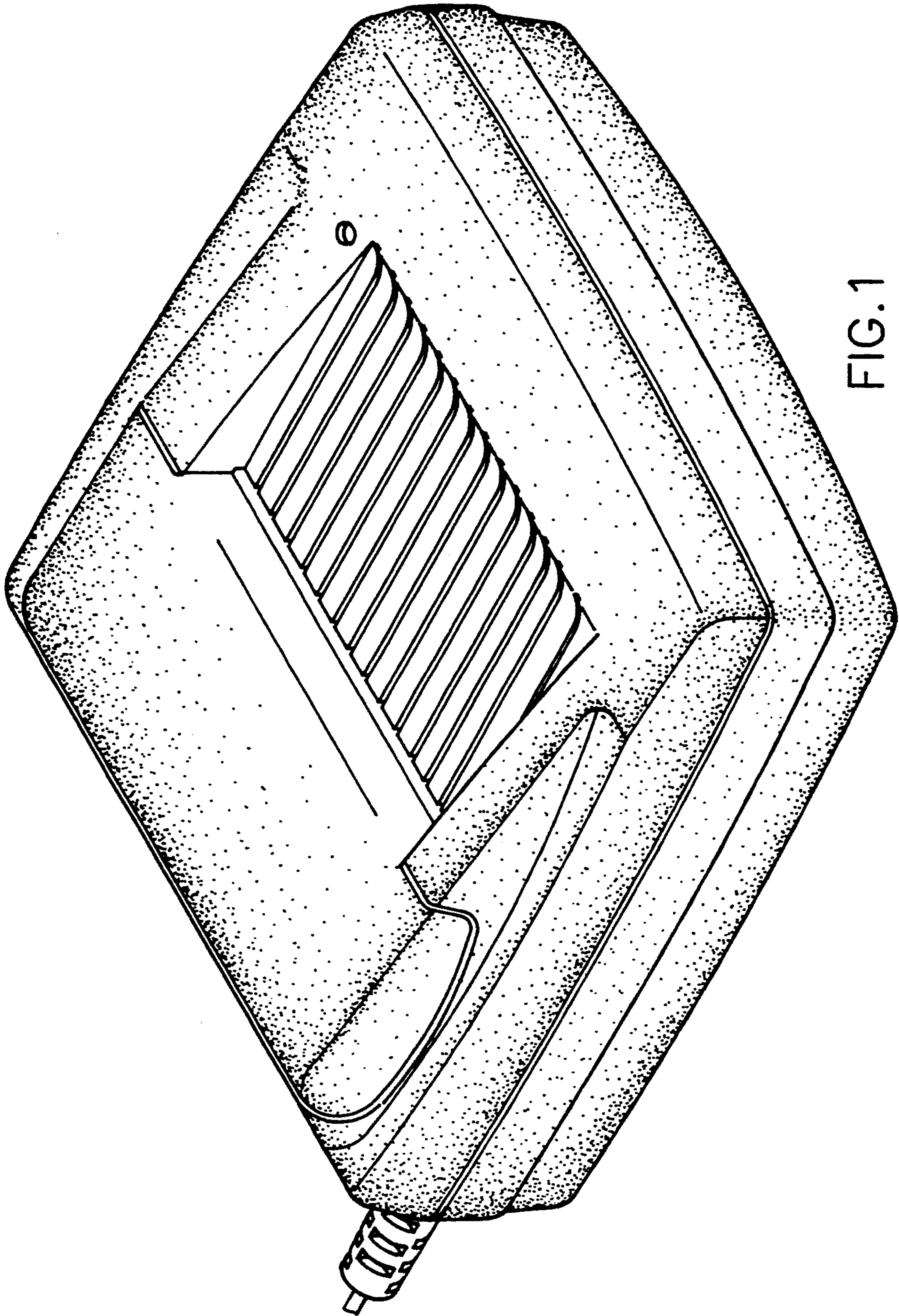


FIG. 1

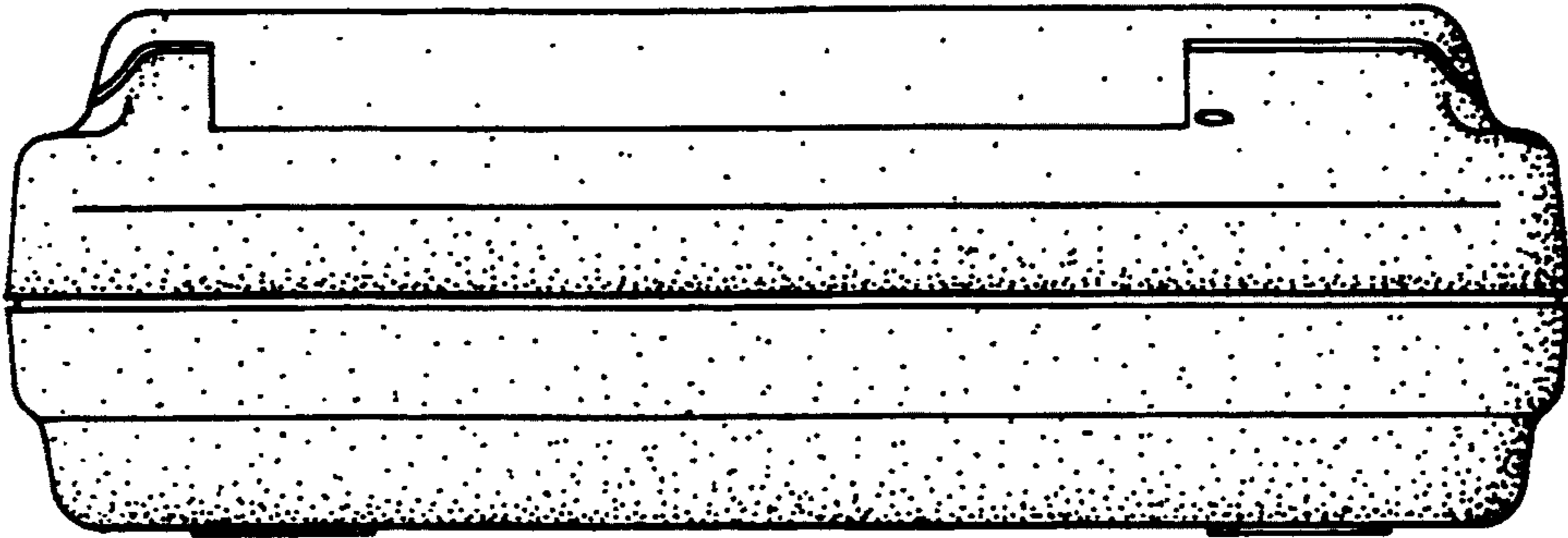


FIG. 2

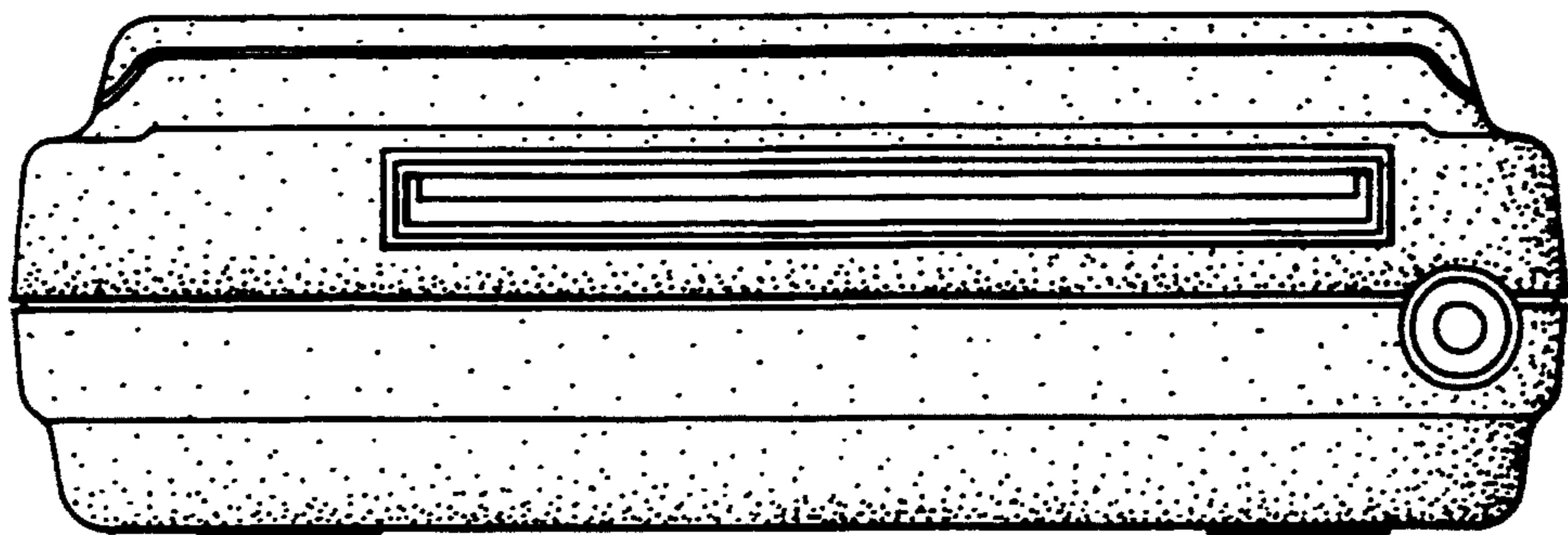


FIG. 3

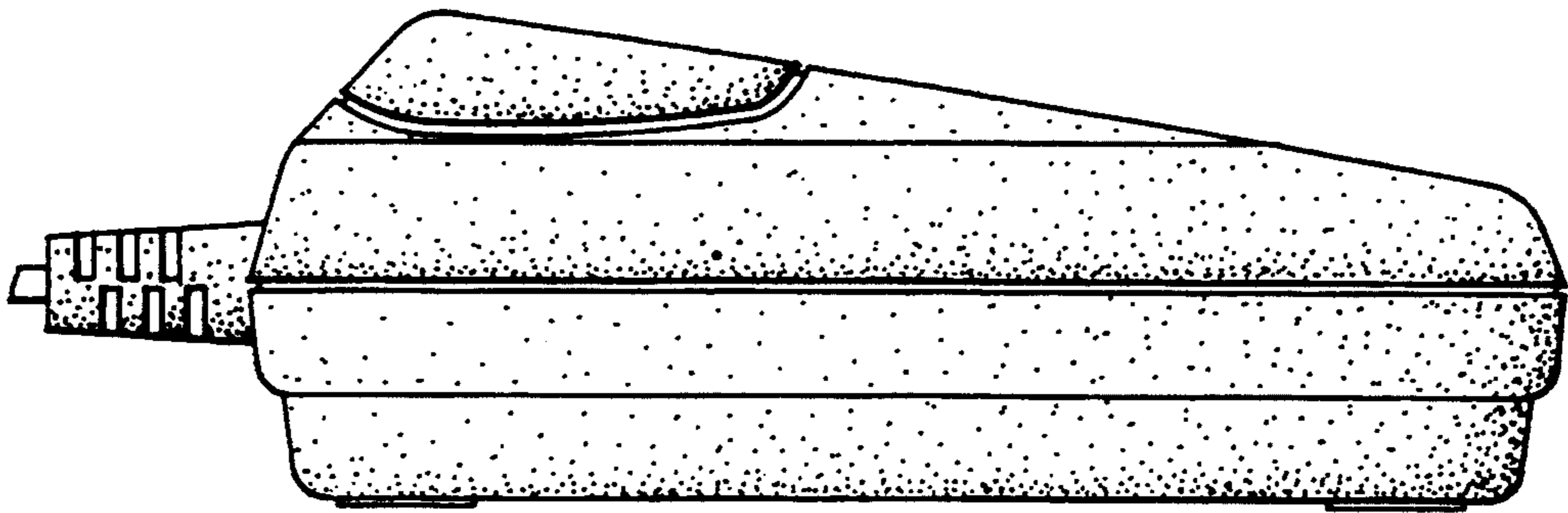


FIG. 4

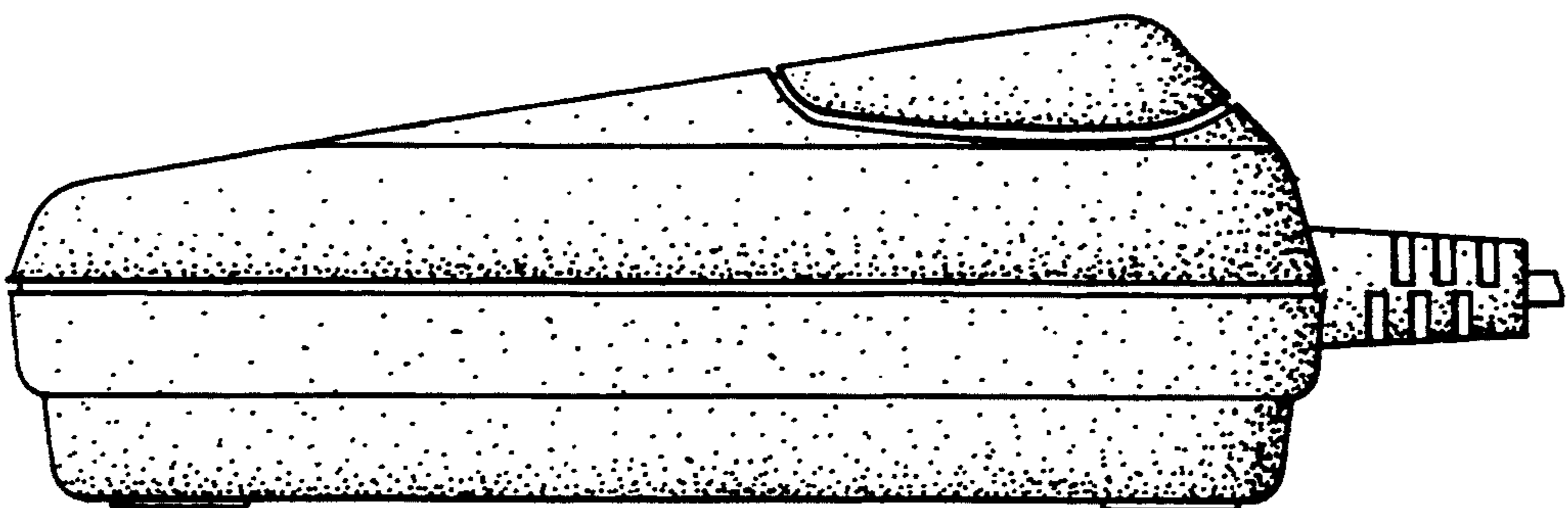


FIG. 5

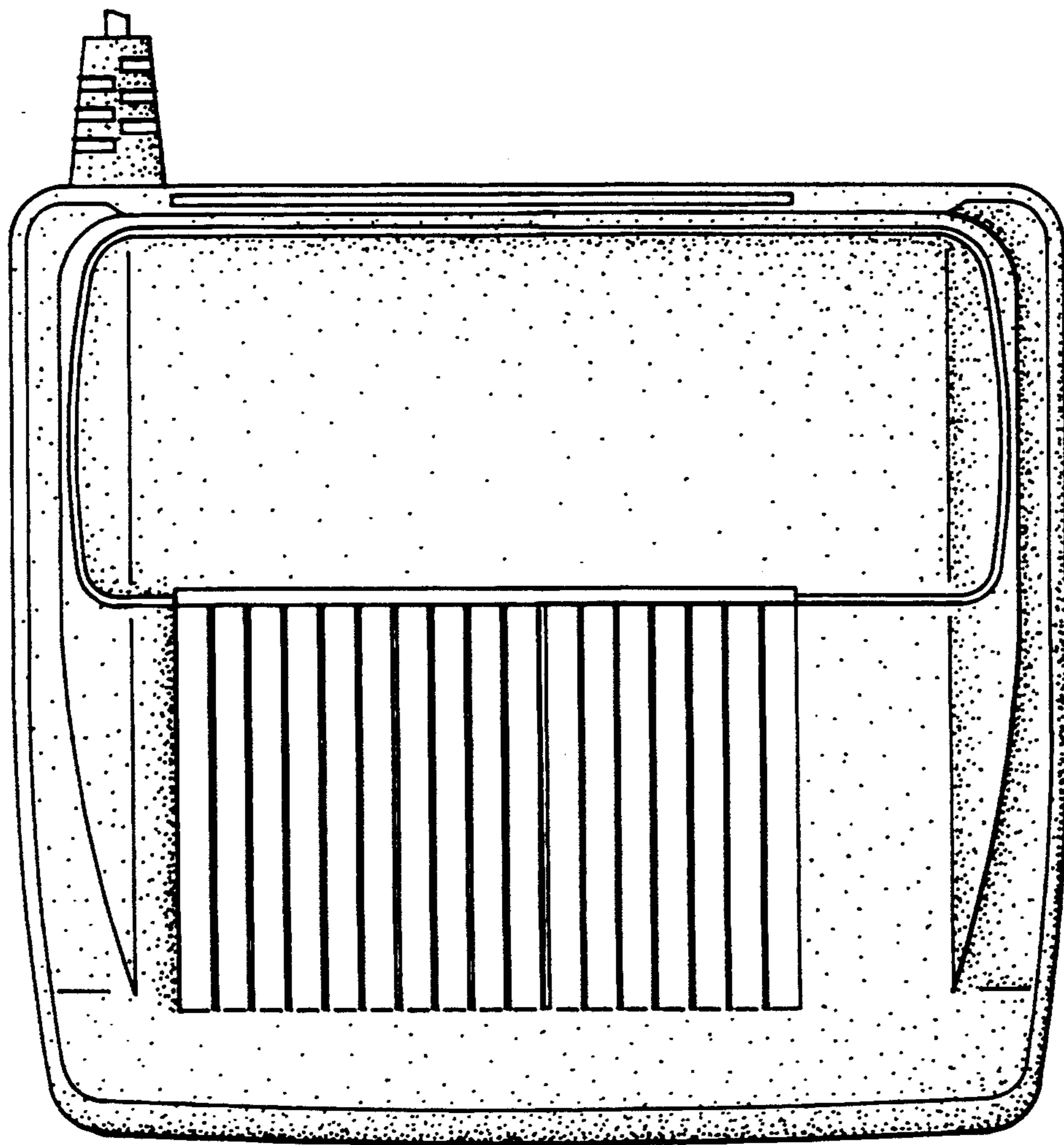


FIG. 6

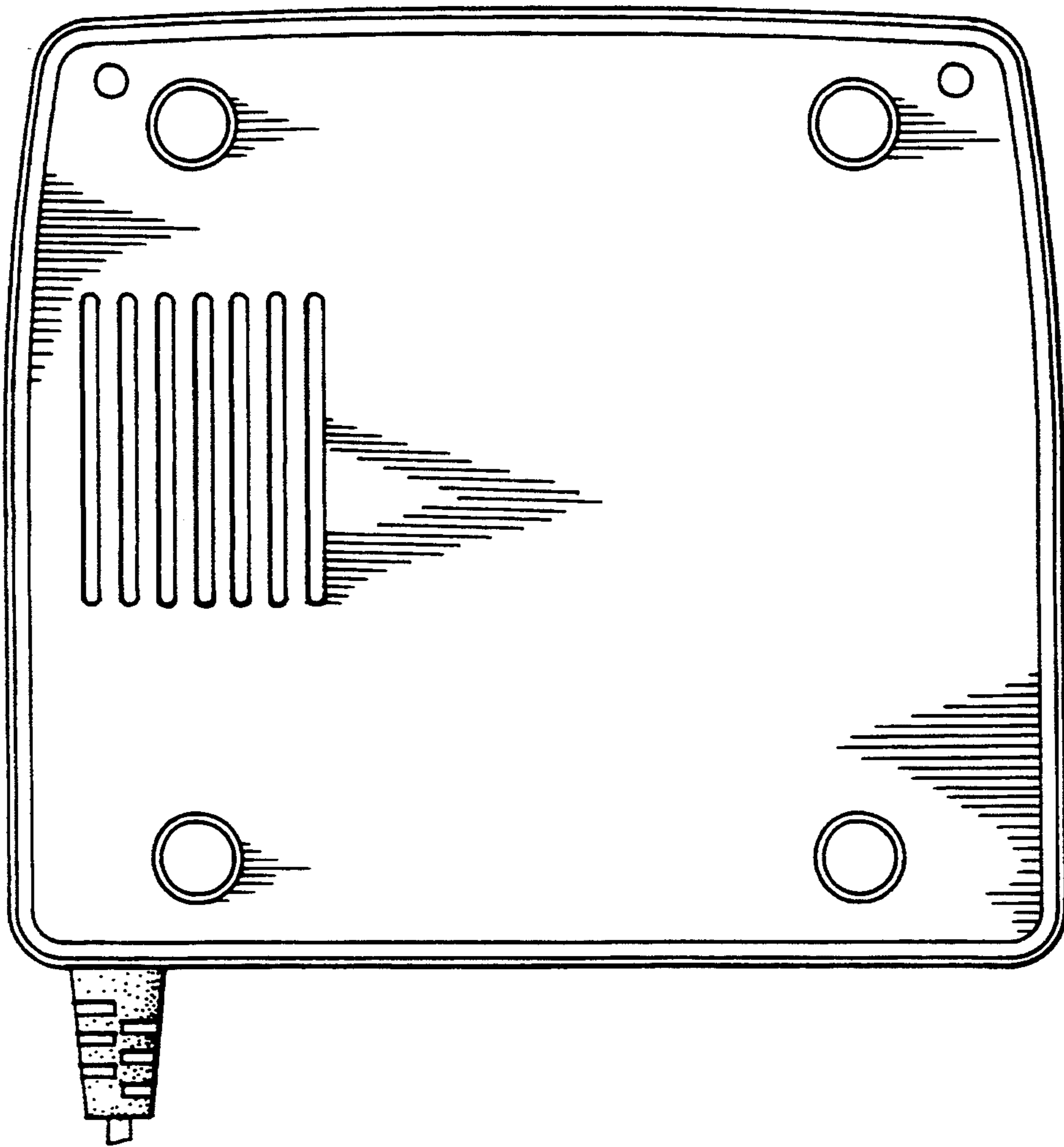


FIG. 7

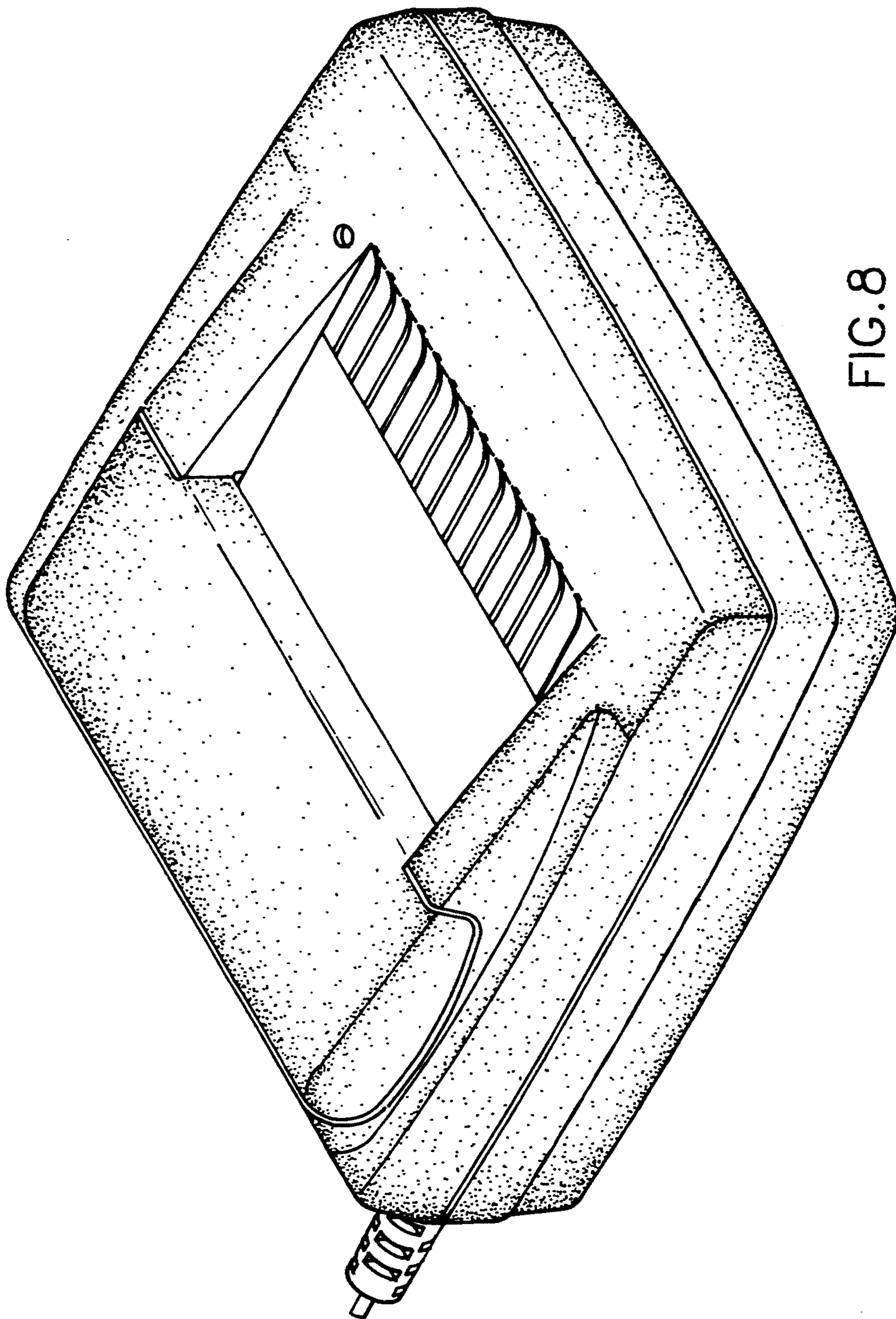


FIG. 8