



US00D351151S

United States Patent [19]

Park et al.

[11] Patent Number: **Des. 351,151**

[45] Date of Patent: **** Oct. 4, 1994**

[54] **PORTABLE INTERROGATOR**

[75] Inventors: **Chinsoo Park**, Rutherford; **Neil Campbell**, Hasbrouck Heights, both of N.J.

[73] Assignee: **Bio Medic Data Systems, Inc.**, Maywood, N.J.

[**] Term: **14 Years**

[21] Appl. No.: **1,274**

[22] Filed: **Nov. 6, 1992**

[52] U.S. Cl. **D14/116**

[58] Field of Search 235/375, 378, 385, 454, 235/462, 472, 486; 354/80-82; 382/58-69; 250/203.1, 216, 566, 568; D19/41-51; D14/100, 114, 116; D26/37, 45, 50

[56] **References Cited**

U.S. PATENT DOCUMENTS

- D. 288,337 2/1987 Sloan D14/116 X
- D. 319,228 8/1991 Mori et al. D14/116
- D. 320,981 10/1991 Conversano et al. D14/116

- D. 321,180 10/1991 Conversano et al. D14/116
- D. 330,707 11/1992 Whitaker D14/116

OTHER PUBLICATIONS

BioMedic Data Systems, Inc., "Portable Scanner Reader" operation manual.
BioMedic Data Systems, Inc., Elams TM brochure.

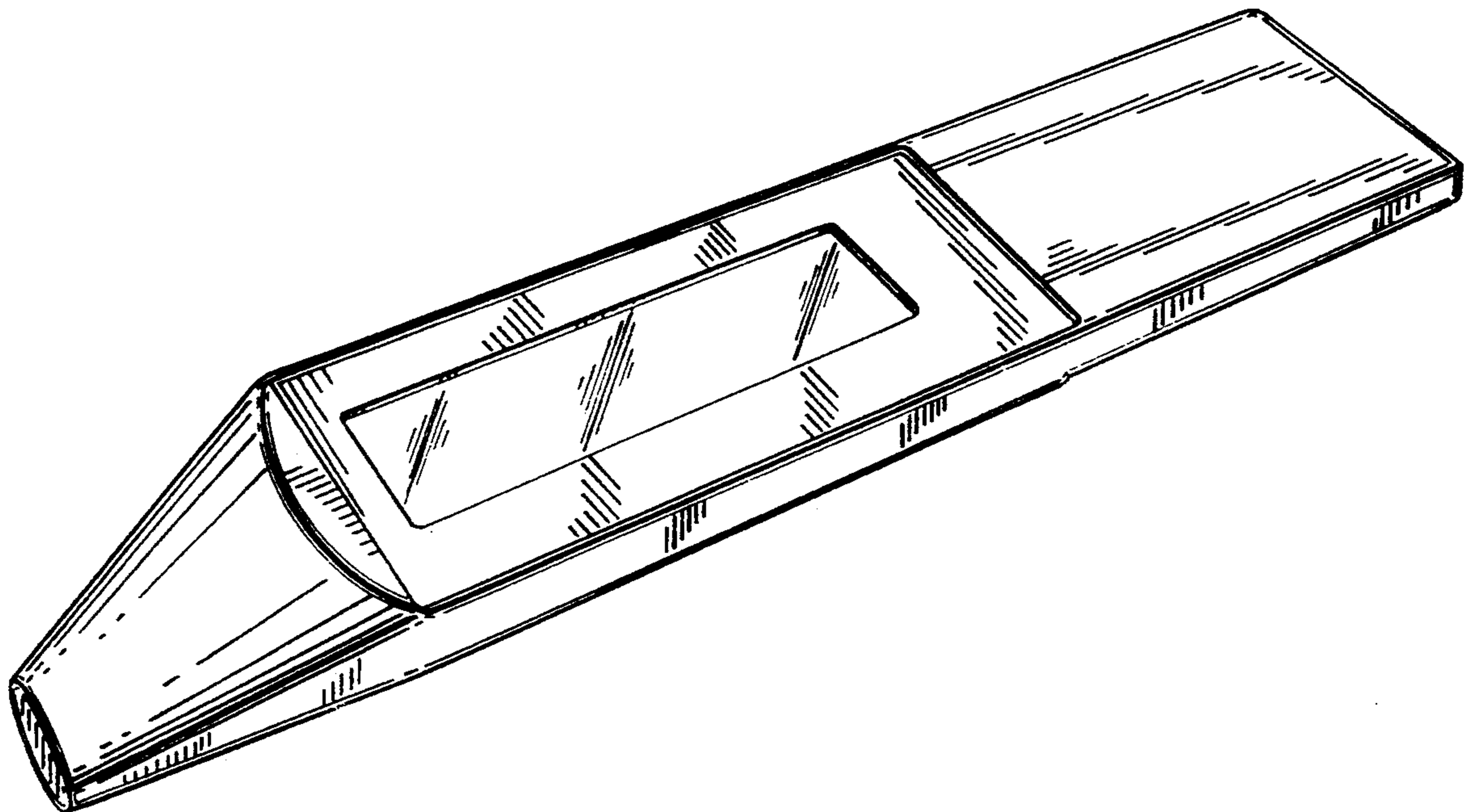
Primary Examiner—Wallace R. Burke
Assistant Examiner—M. H. Tung
Attorney, Agent, or Firm—Stroock & Stroock & Lavan

[57] **CLAIM**

The ornamental design for a portable interrogator, as shown and described.

DESCRIPTION

FIG. 1 is a top, front and left side perspective view of our portable interrogator;
FIG. 2 is a front elevational view thereof;
FIG. 3 is a top plan view thereof;
FIG. 4 is a right side elevational view thereof, the opposite side being a mirror image thereof;
FIG. 5 is a rear elevational view thereof; and,
FIG. 6 is a bottom plan view thereof.



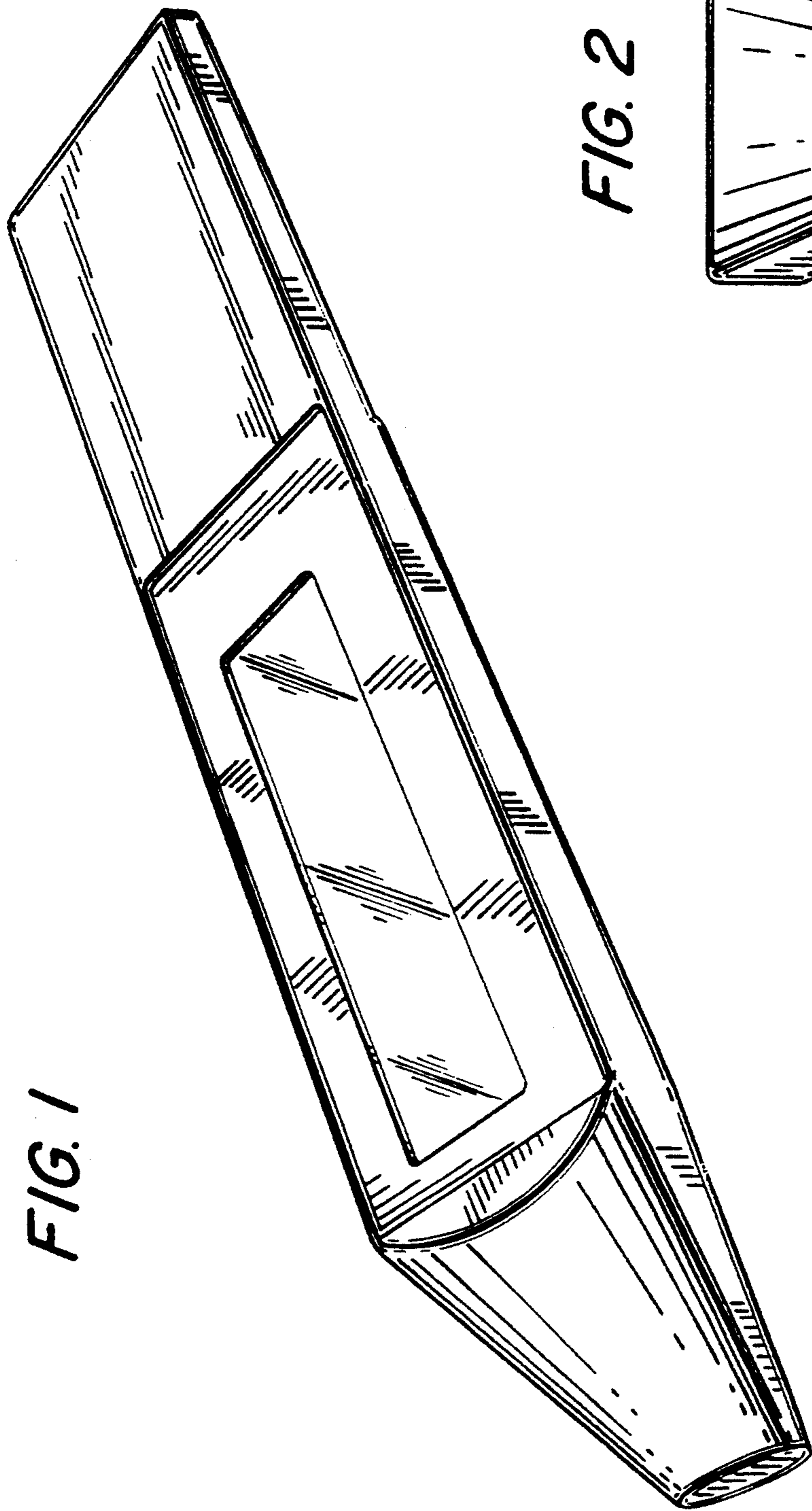


FIG. 1

FIG. 2

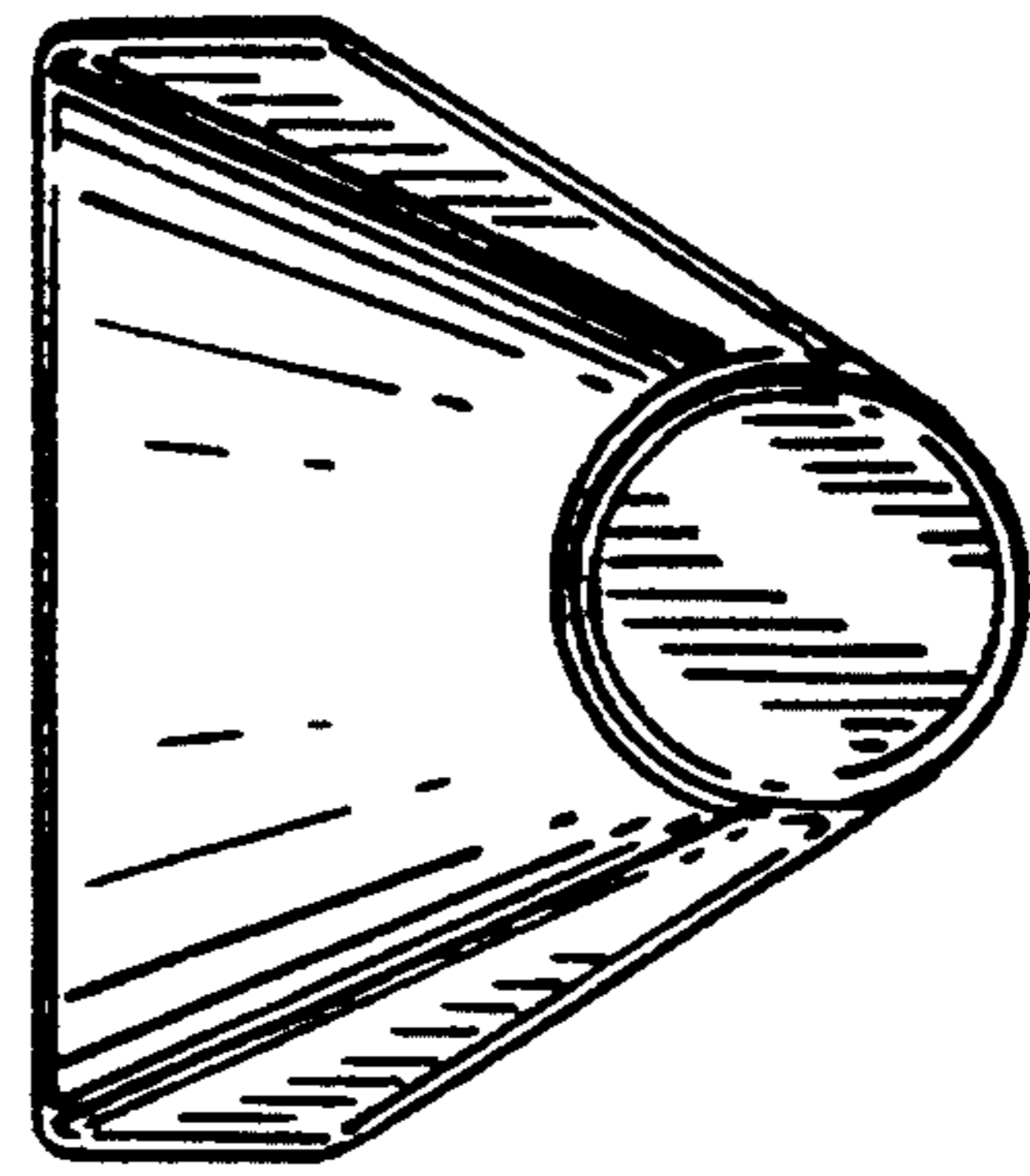


FIG. 3

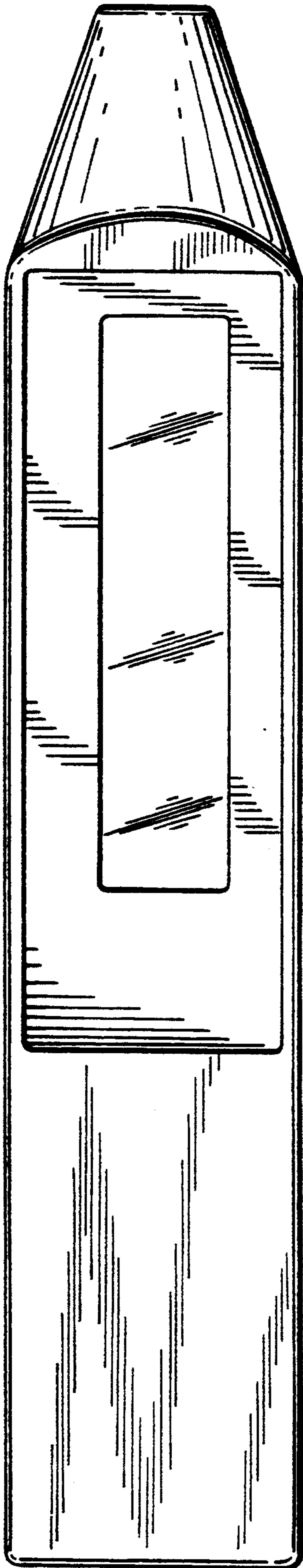


FIG. 4

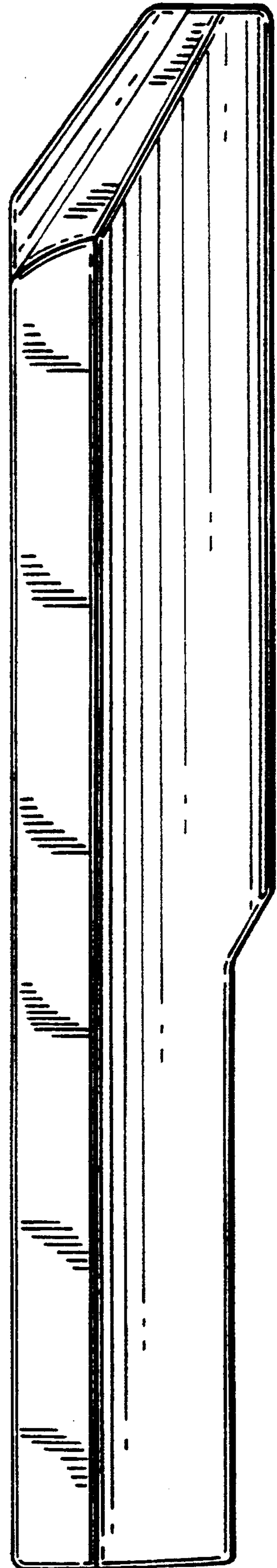


FIG. 5

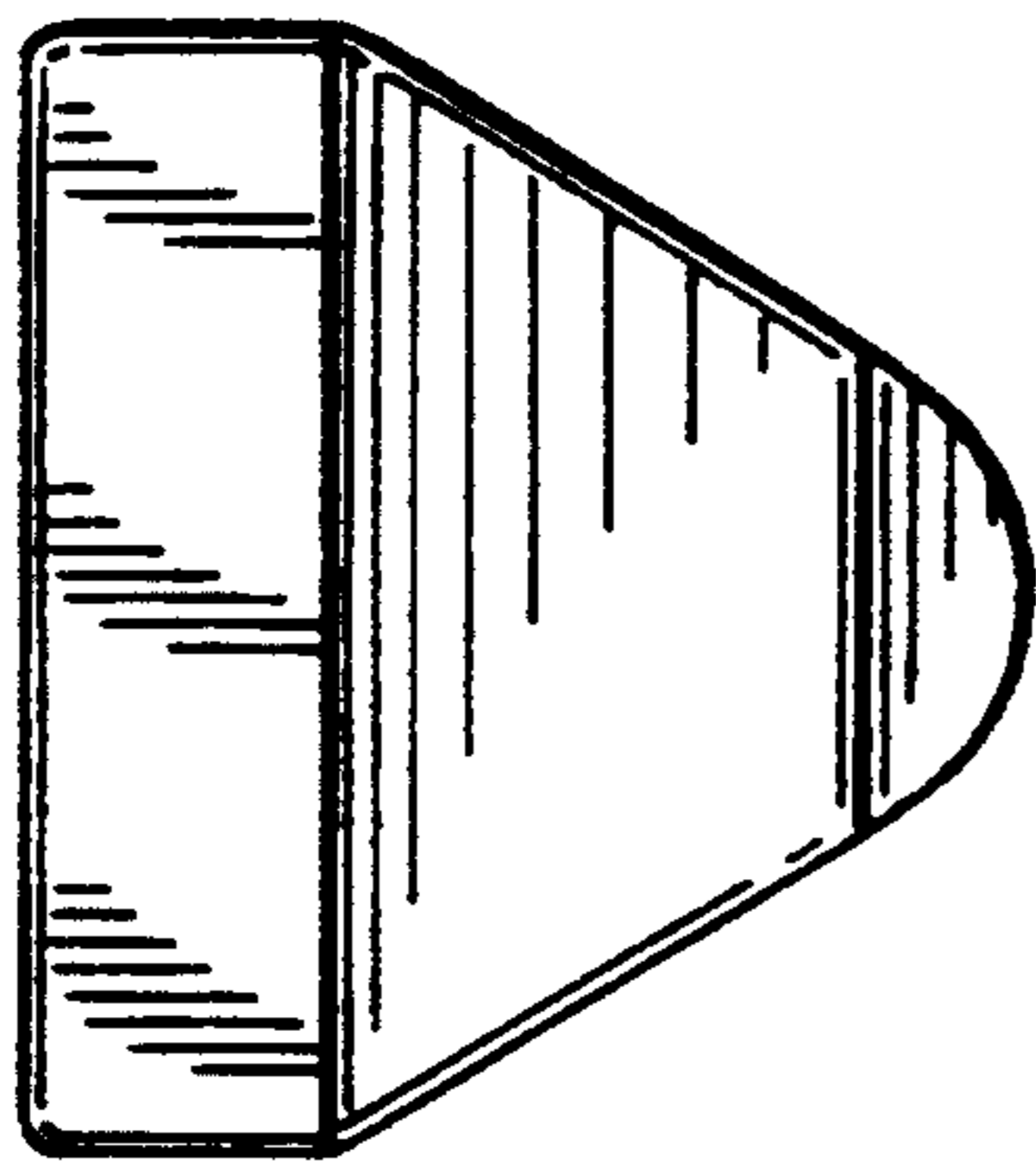


FIG. 6

