



US00D351150S

United States Patent [19]

[11] Patent Number: **Des. 351,150**

Bontly et al.

[45] Date of Patent: **** Oct. 4, 1994**

[54] **LASER SCANNER HEAD**

[75] Inventors: **Craig H. Bontly; David L. Bolen; Michael L. Duncan**, all of Eugene, Oreg.

[73] Assignee: **Spectra-Physics Scanning Systems, Inc.**, Eugene, Oreg.

[**] Term: **14 Years**

[21] Appl. No.: **870,706**

[22] Filed: **Apr. 17, 1992**

[52] U.S. Cl. **D14/116**

[58] Field of Search 235/375, 378, 454, 462, 235/472, 486; 354/80-82; 382/58-69; 250/203.1, 216, 566, 568; D14/100, 114, 116; D26/37, 45, 50

- D. 311,393 10/1990 Weaver et al. D14/116
- D. 314,951 2/1991 Swartz D14/116 X
- D. 315,337 3/1991 Weaver et al. D14/116
- D. 316,087 4/1991 Mecksroth et al. D14/116 X
- D. 317,154 5/1991 Allgeier D14/116

Primary Examiner—Wallace R. Burke
Assistant Examiner—M. H. Tung
Attorney, Agent, or Firm—Lyon & Lyon

[57] **CLAIM**

The ornamental design for laser scanner head, as shown and described.

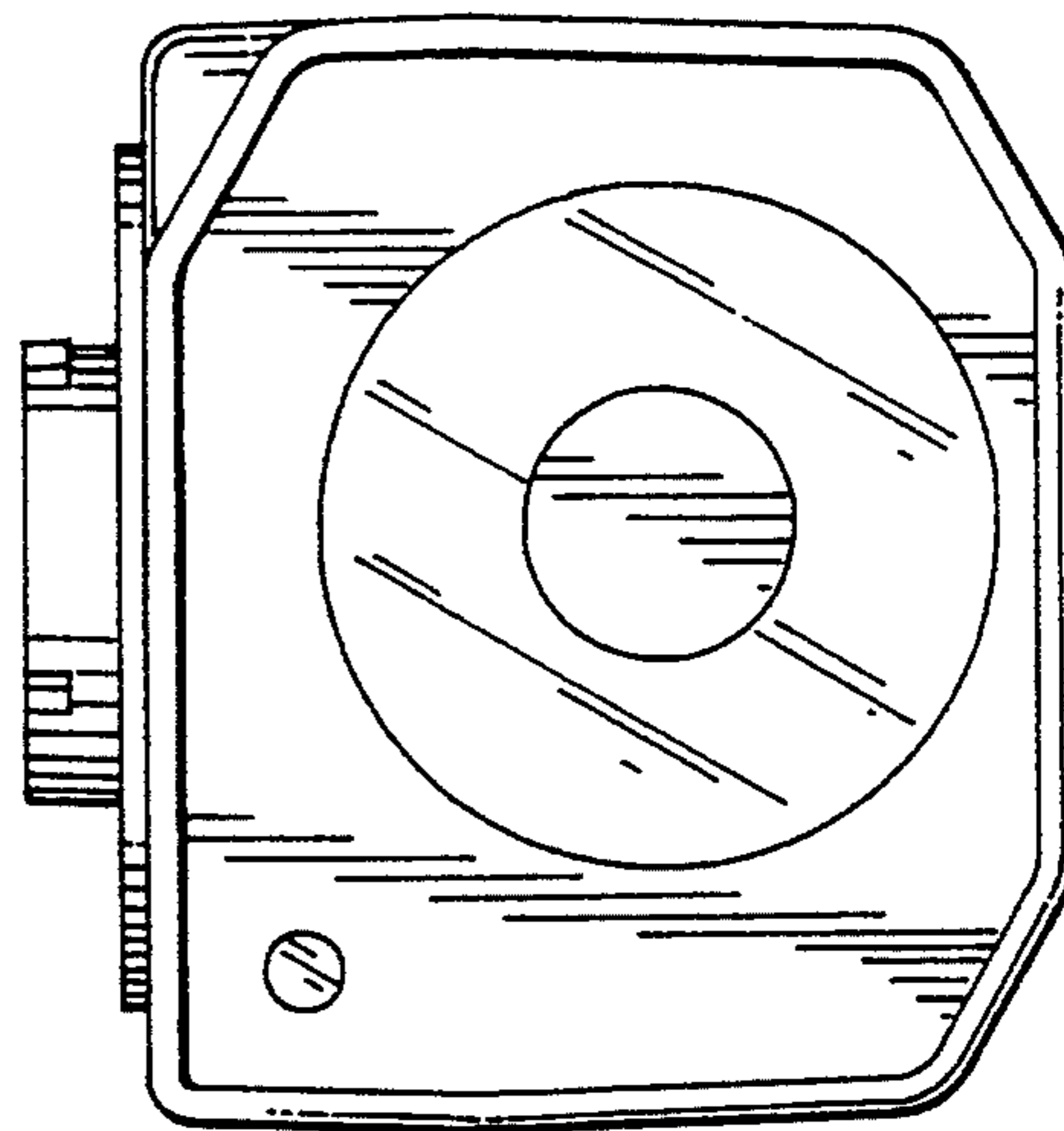
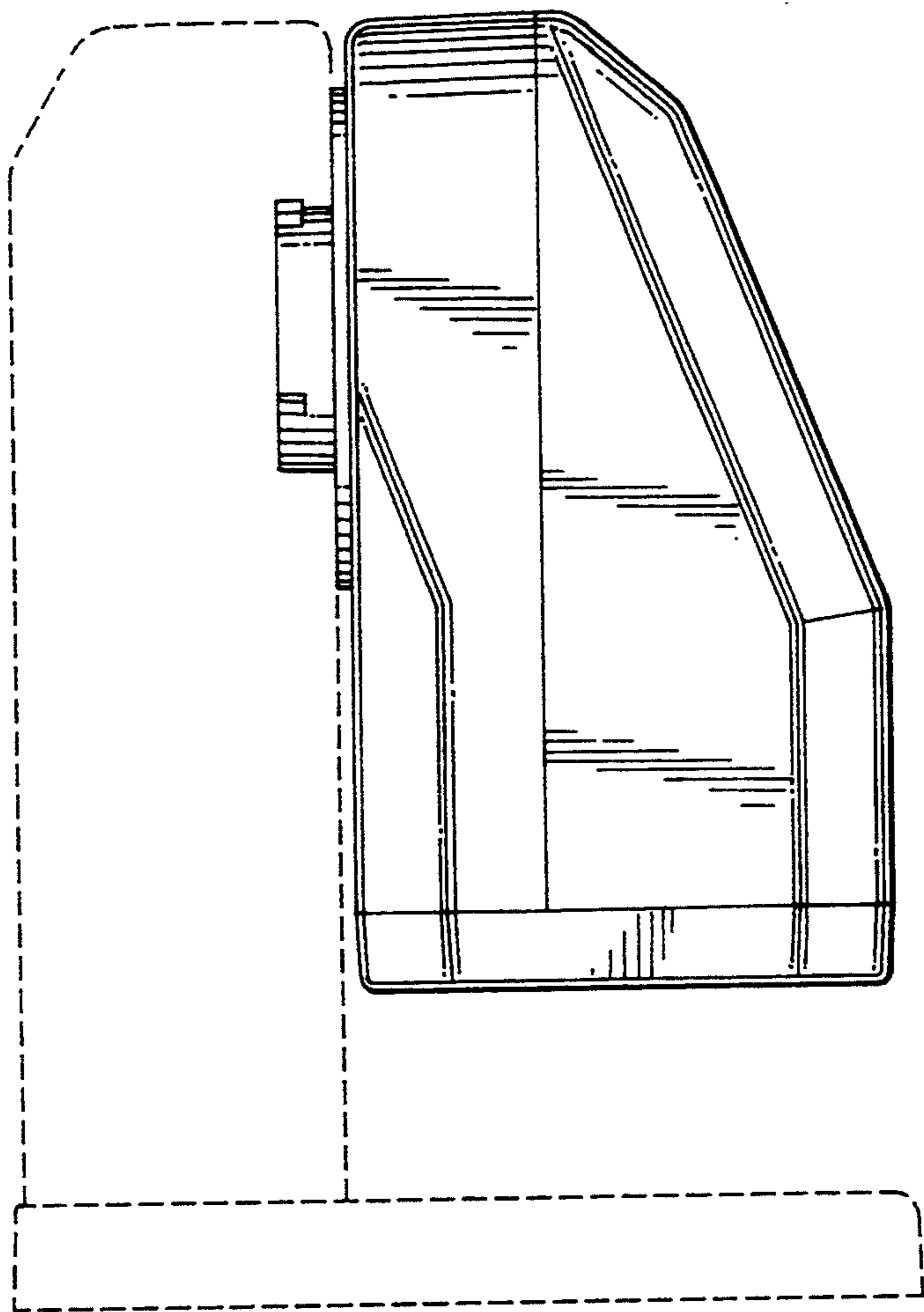
DESCRIPTION

FIG. 1 is a front elevational view of a laser scanner head showing our new design, the broken line drawing of the laser scanner base is for illustrative purposes only and forms no part of the claimed design; FIG. 2 is a rear elevation thereof; FIG. 3 is a top plan view thereof; FIG. 4 is a bottom plan view thereof; FIG. 5 is a left side elevation thereof; and, FIG. 6 is a right side elevation thereof.

[56] **References Cited**

U.S. PATENT DOCUMENTS

- D. 242,258 11/1976 McPherson D14/116
- D. 302,153 7/1989 Karecki D14/116



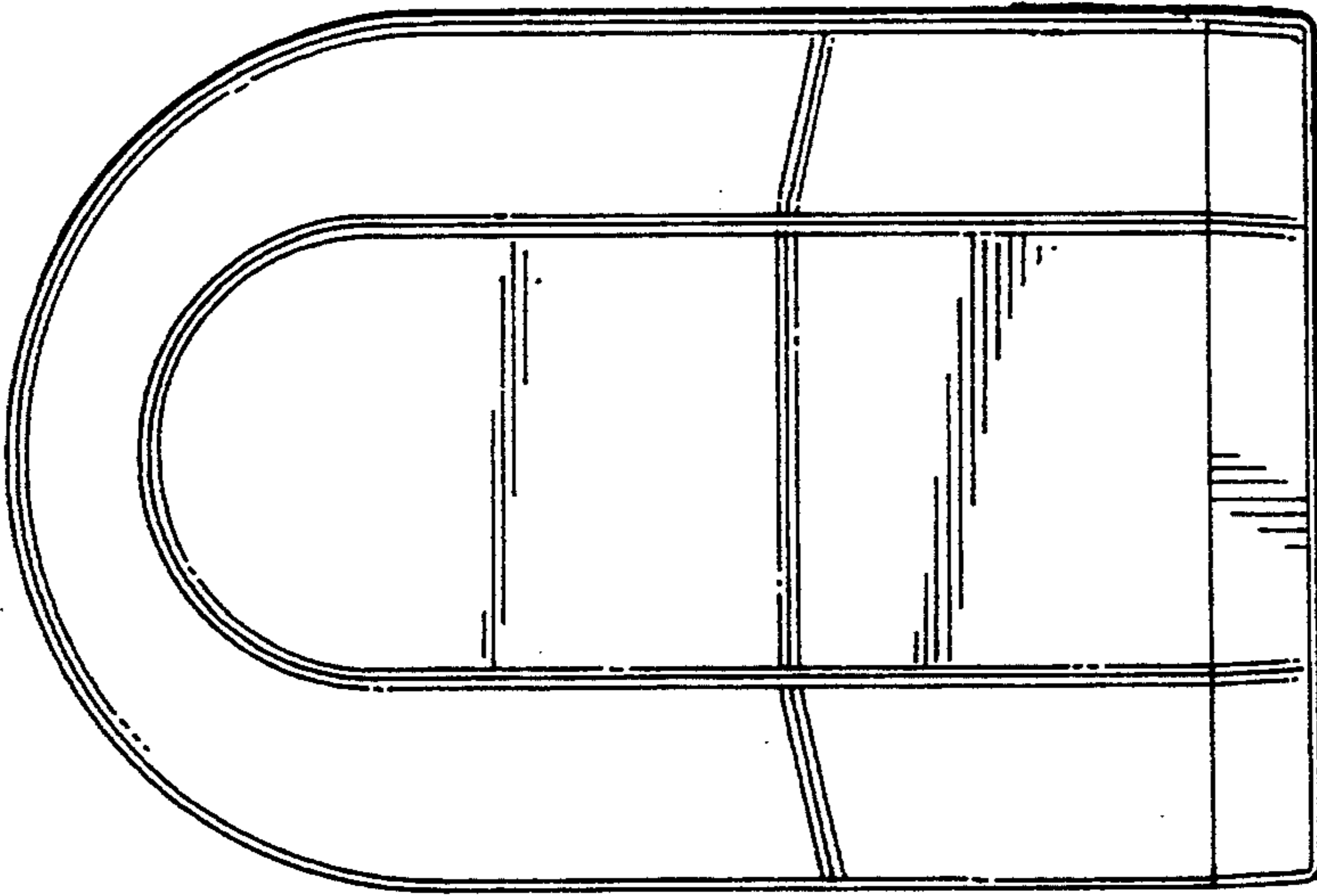


Fig. 6

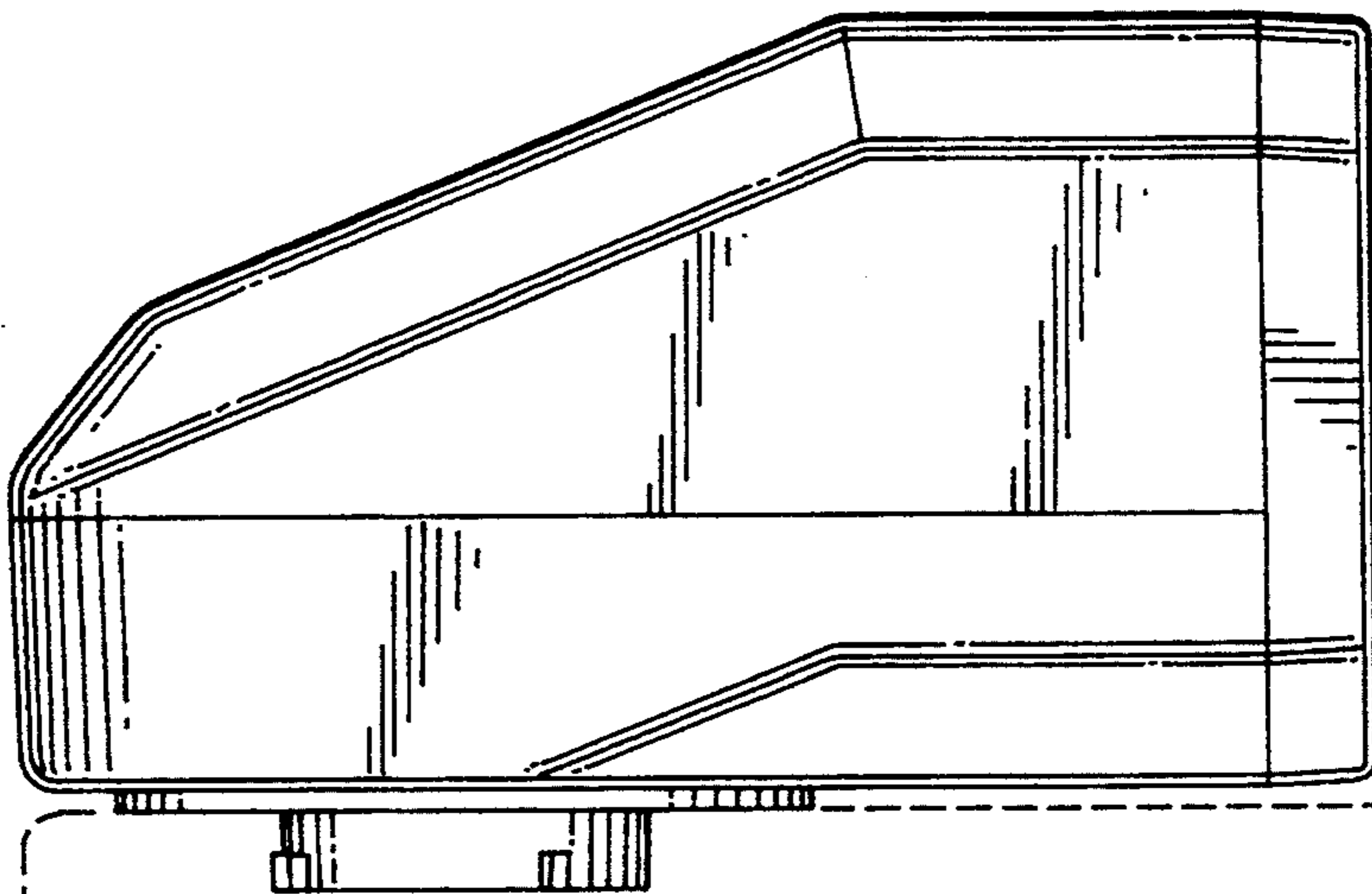


Fig. 5

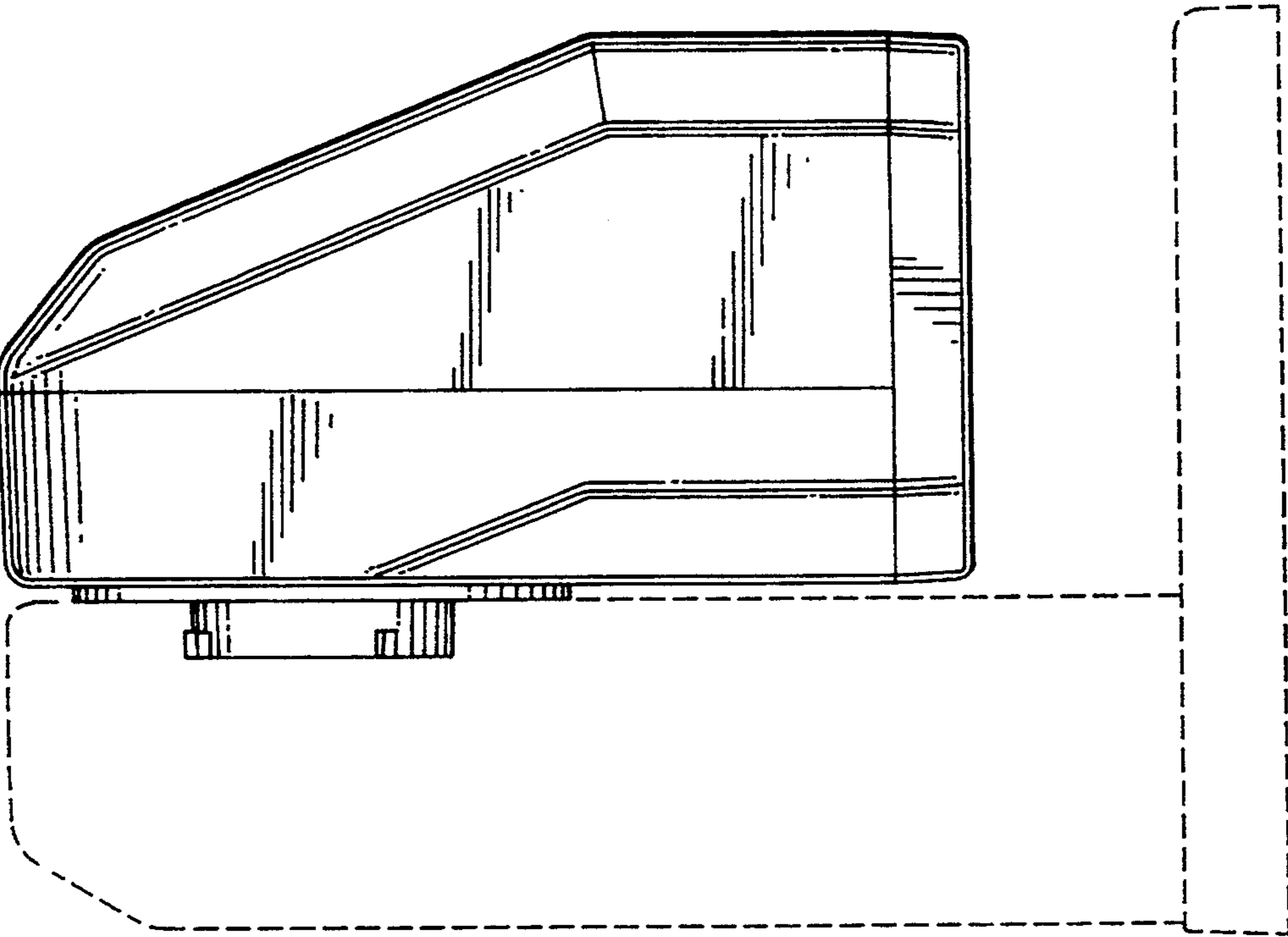


Fig. 1

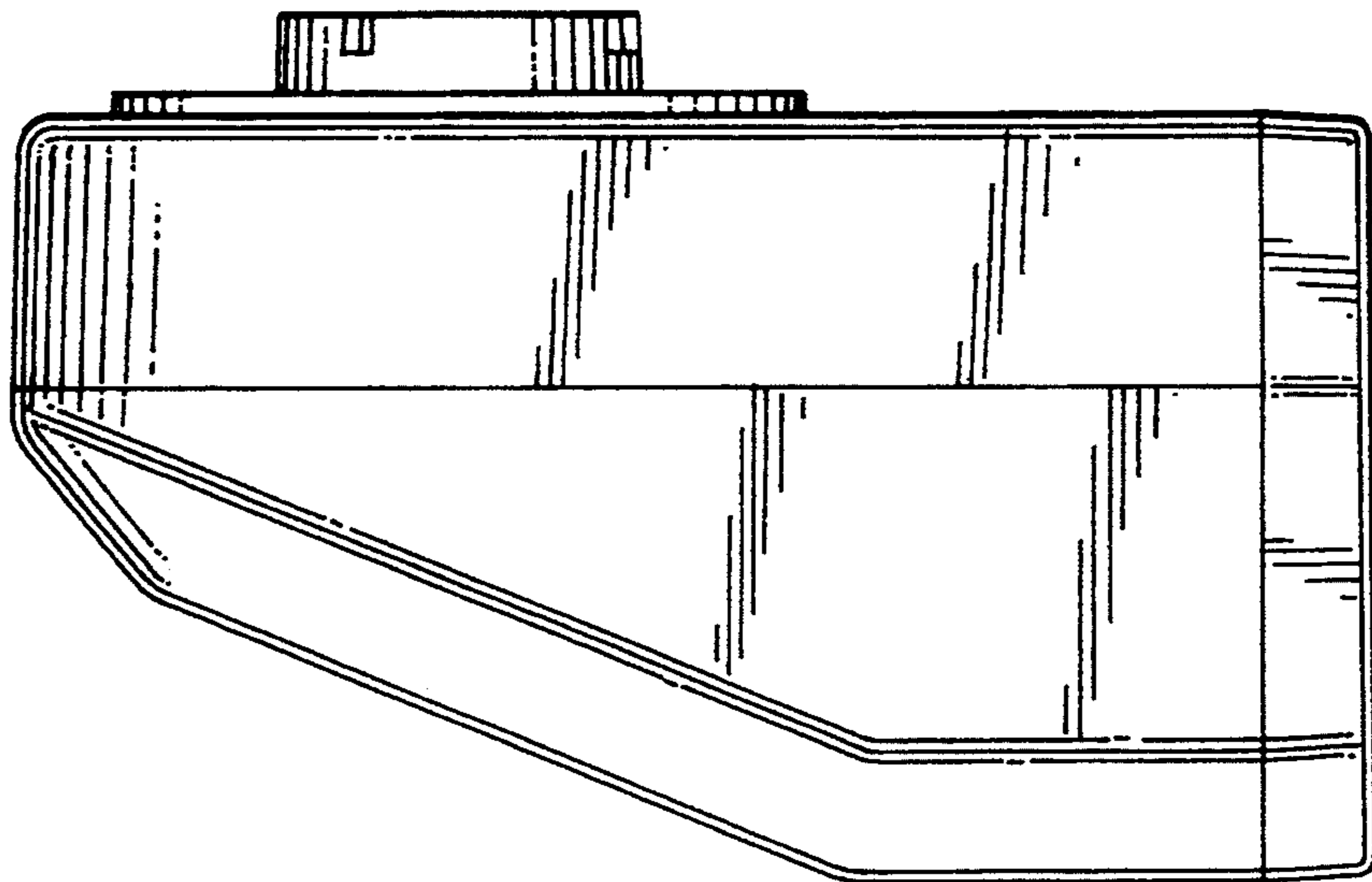


Fig. 2

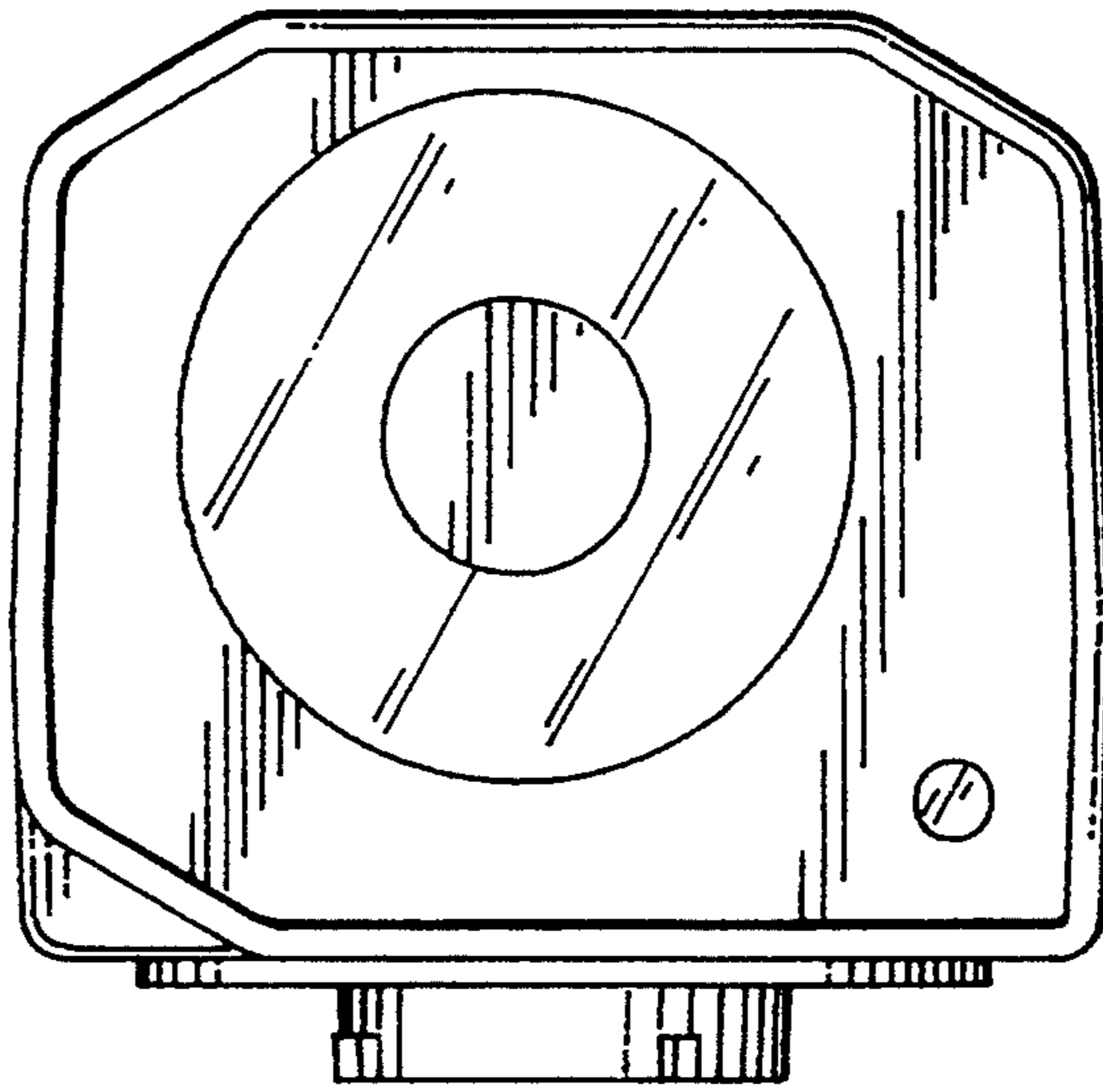


Fig. 3

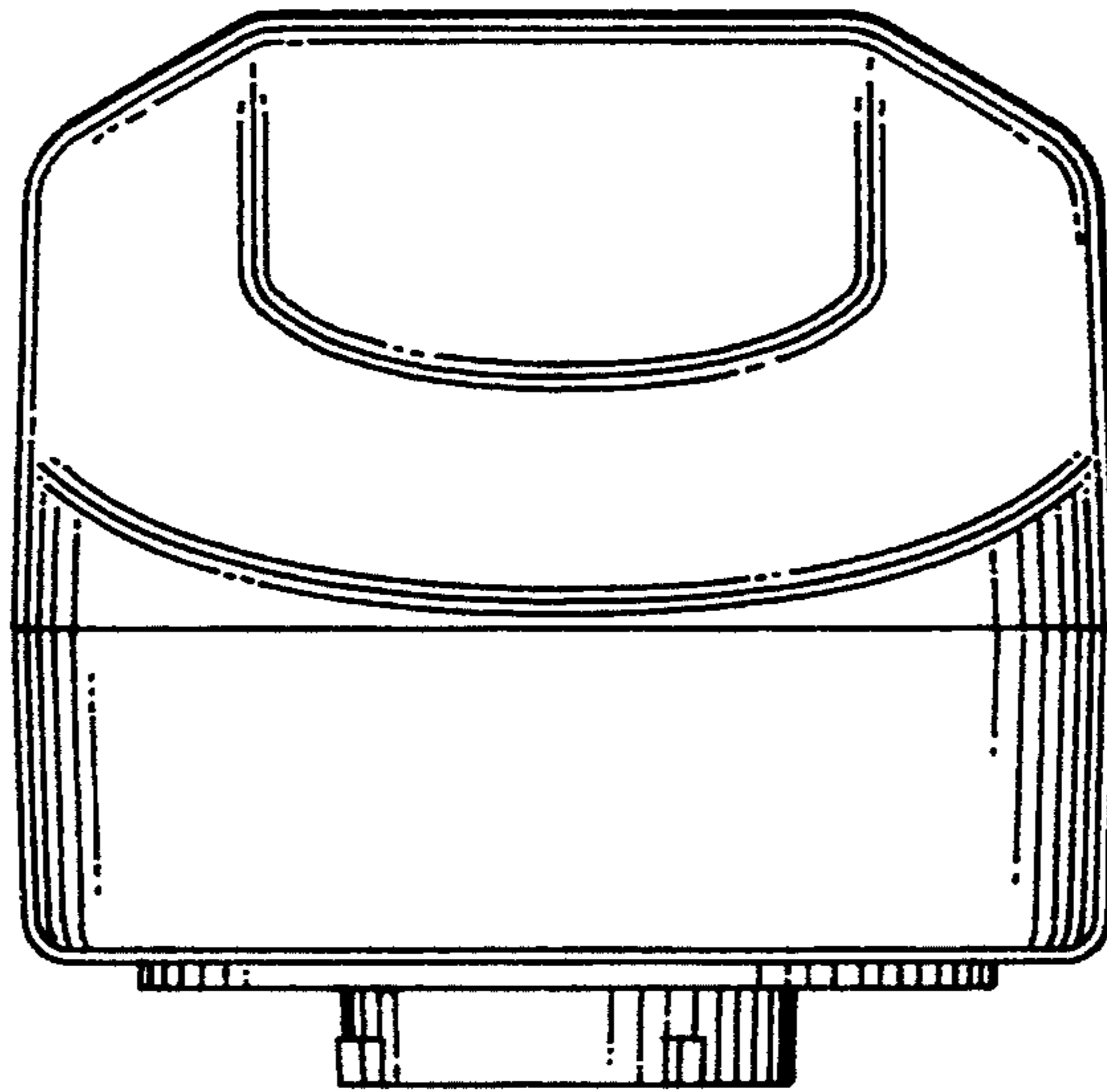


Fig. 4