



US00D351147S

United States Patent [19] Hill

[11] Patent Number: **Des. 351,147**

[45] Date of Patent: **** Oct. 4, 1994**

[54] **COMBINED TERMINAL CONTROLLER AND STAND FOR A DATA PROCESSING SYSTEM**

[75] Inventor: **David W. Hill, Rochester, Minn.**

[73] Assignee: **International Business Machines Corporation, Armonk, N.Y.**

[**] Term: **14 Years**

[21] Appl. No.: **939,621**

[22] Filed: **Aug. 31, 1992**

[52] U.S. Cl. **D14/109**

[58] Field of Search **D6/421, 423; 312/208.1, 312/223.2, 223.3, 194; 360/99.12; 361/390-395; 248/917-925; D14/100, 102, 107-109; D13/162, 184, 199**

[56] **References Cited**

U.S. PATENT DOCUMENTS

- D. 289,872 5/1987 Nuttall et al. D14/102
- D. 338,453 8/1993 Martin D14/100

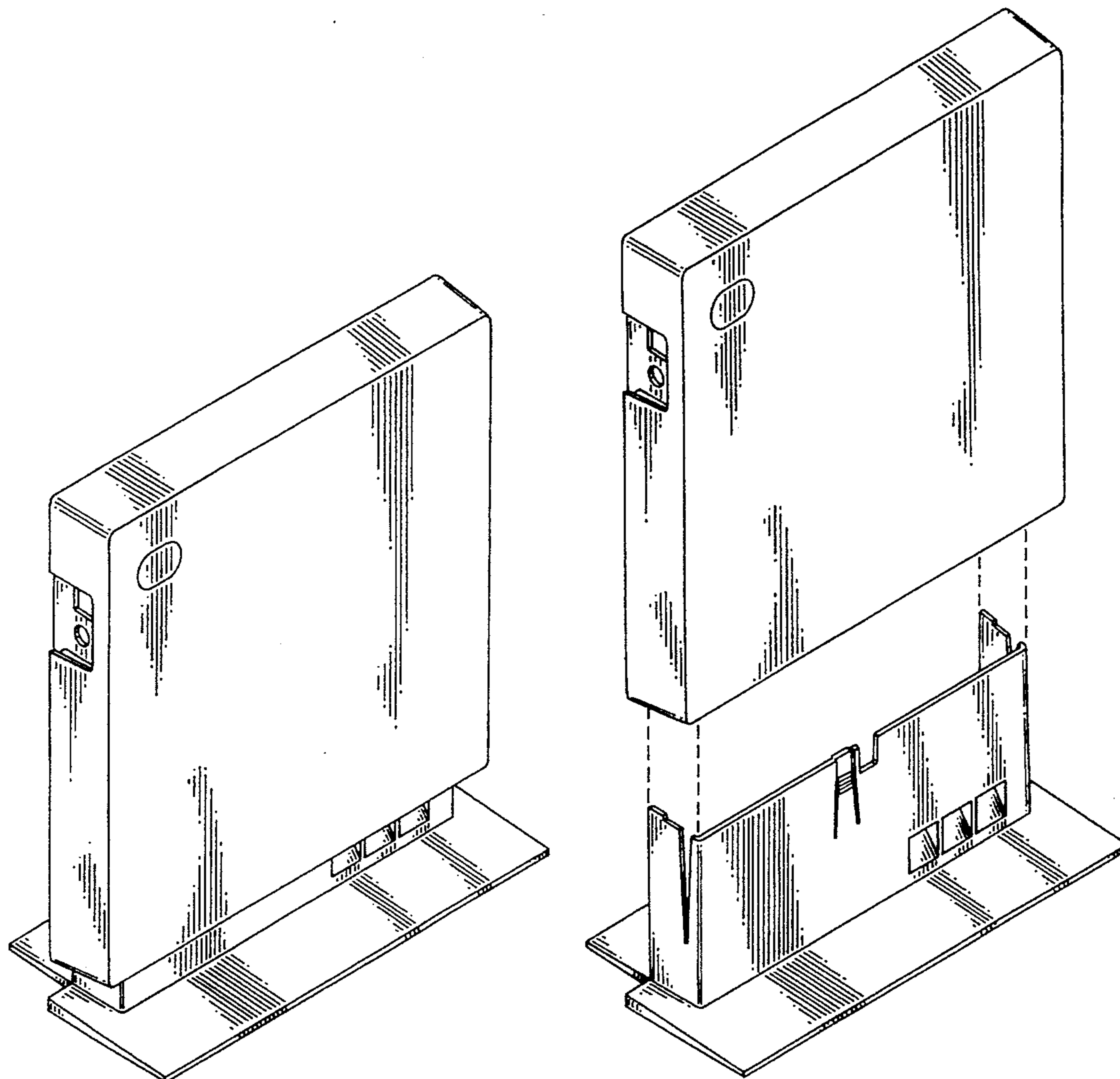
Primary Examiner—Wallace R. Burke
Assistant Examiner—Freda S. Nunn
Attorney, Agent, or Firm—Roy W. Truelson

[57] **CLAIM**

The ornamental design for a combined terminal controller and stand for a data processing system, as shown and described.

DESCRIPTION

FIG. 1 is a reduced top, front and right side perspective view of a combined terminal controller and stand for a data processing system showing my new design;
 FIG. 2 is a front elevational view thereof;
 FIG. 3 is a top plan view thereof, the bottom plan view being unornamented;
 FIG. 4 is a right side elevational view thereof;
 FIG. 5 is a left side elevational view thereof;
 FIG. 6 is a rear elevational view thereof;
 FIG. 7 is a reduced exploded top, front and right side perspective view thereof wherein the stand is detached; and,
 FIG. 8 is a bottom plan view thereof.



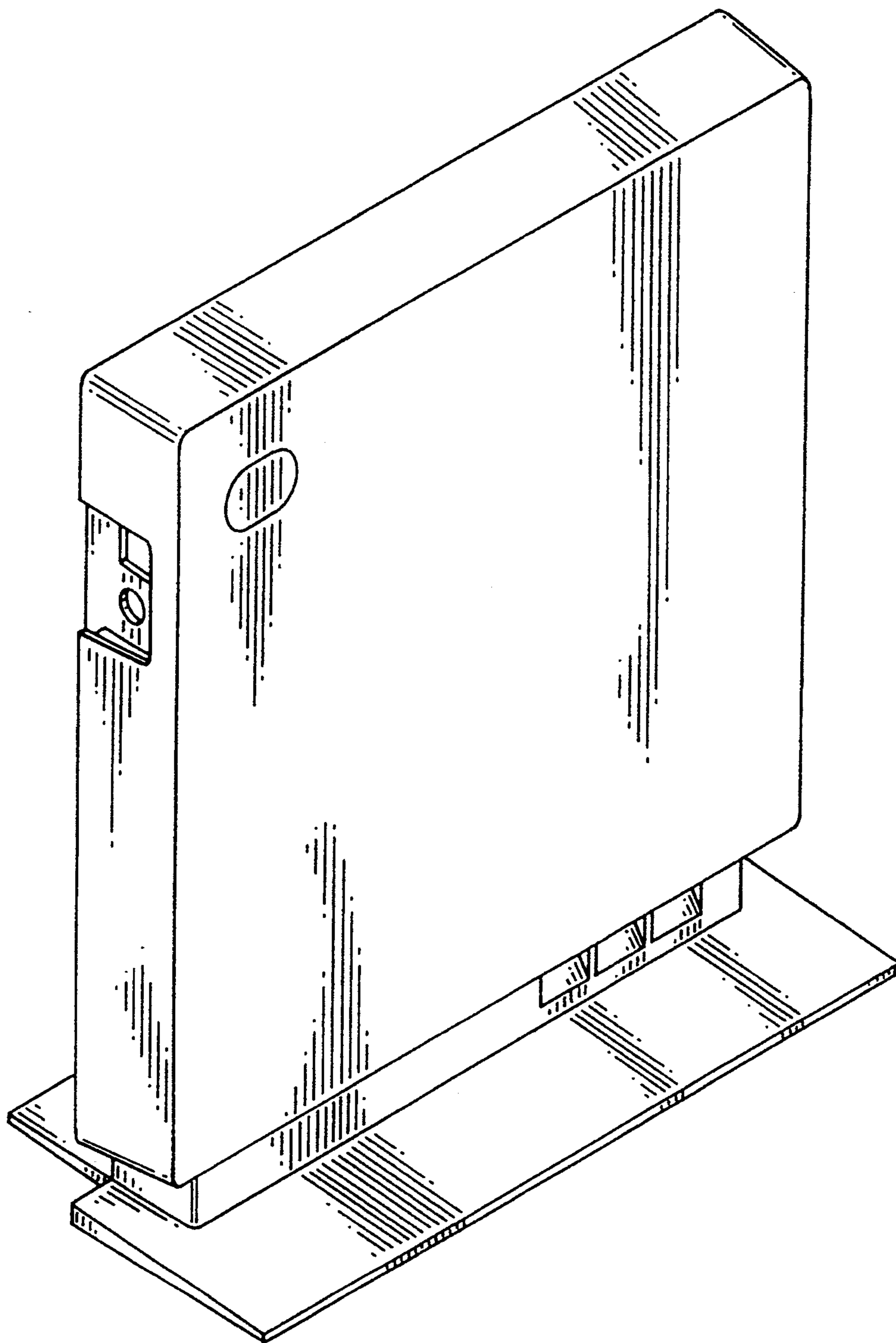


FIG. 1

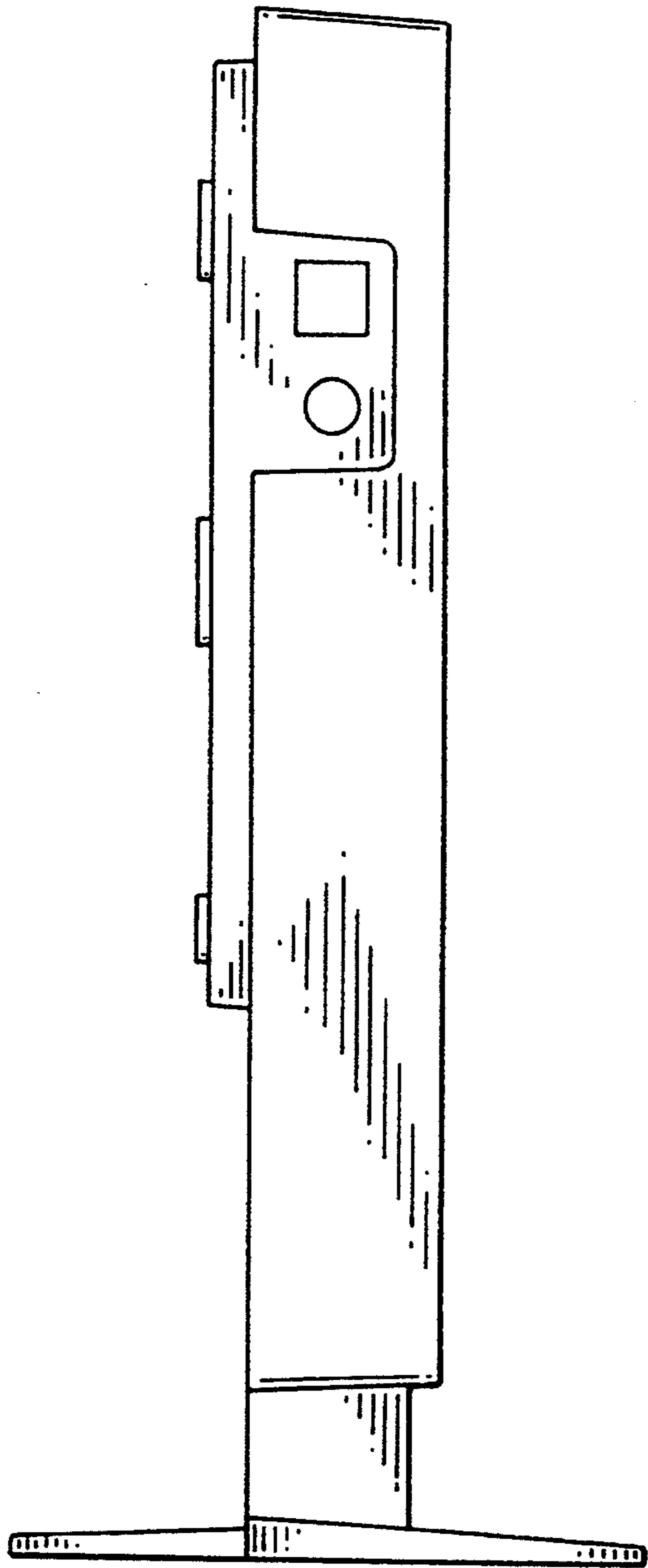


FIG. 2

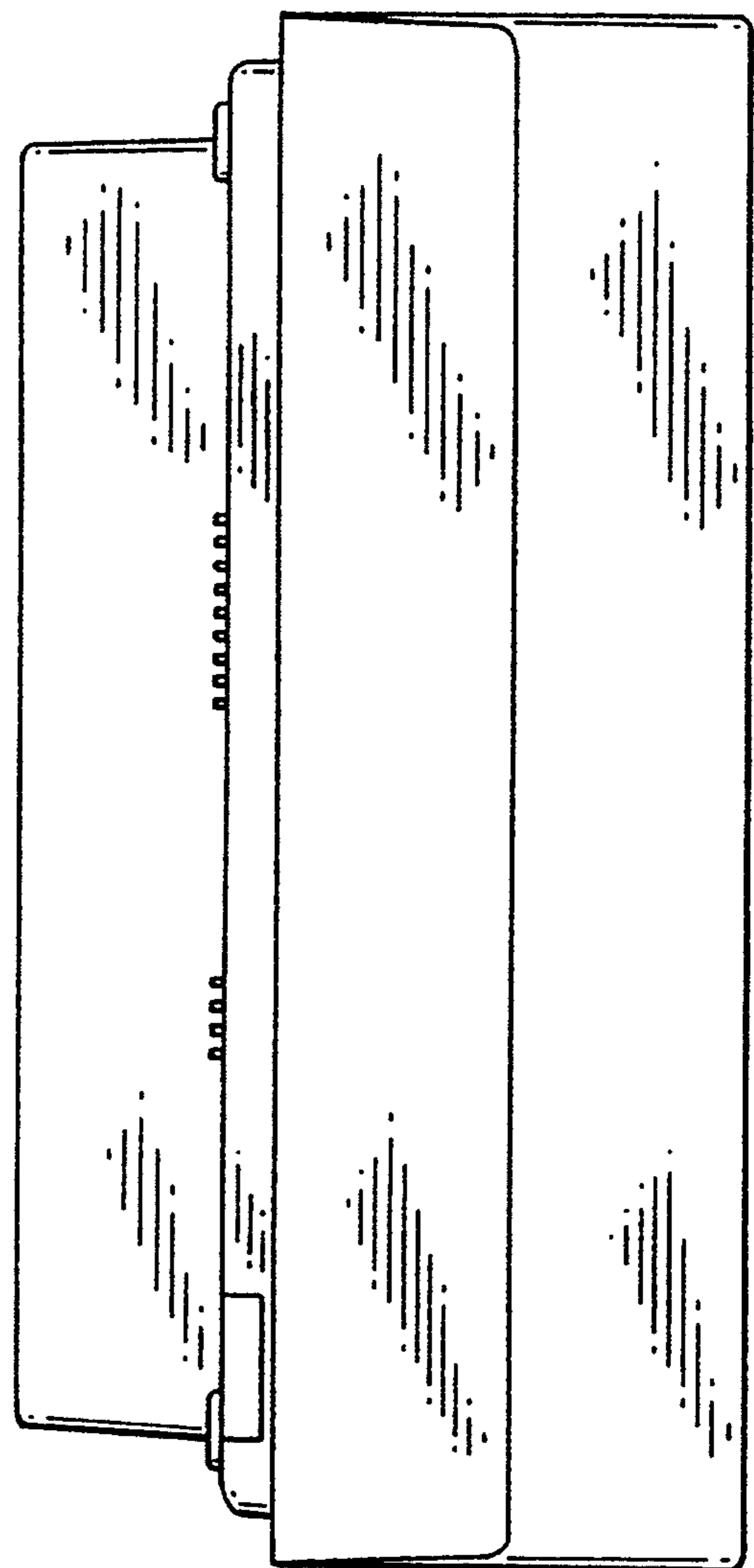


FIG. 3

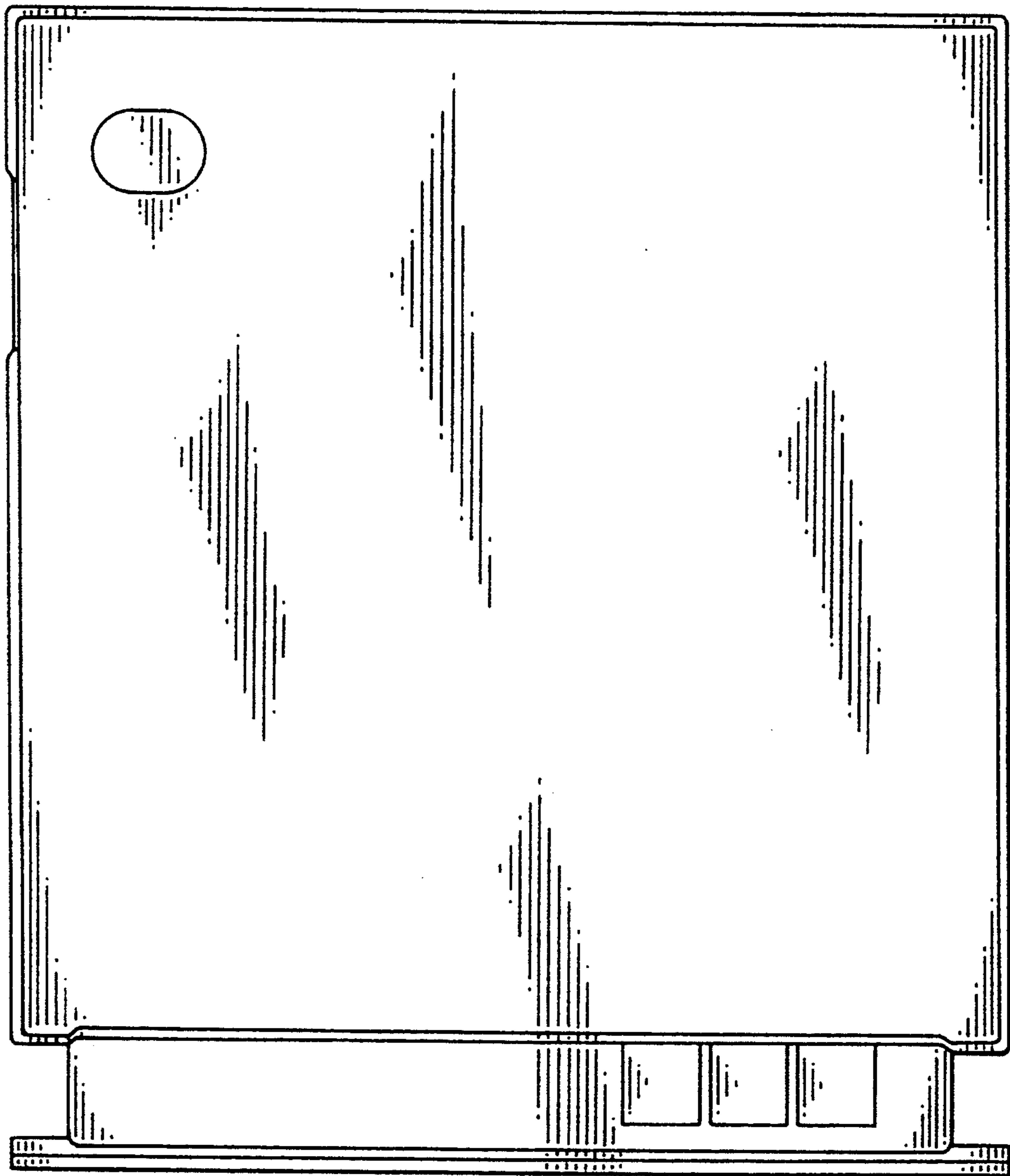


FIG. 4

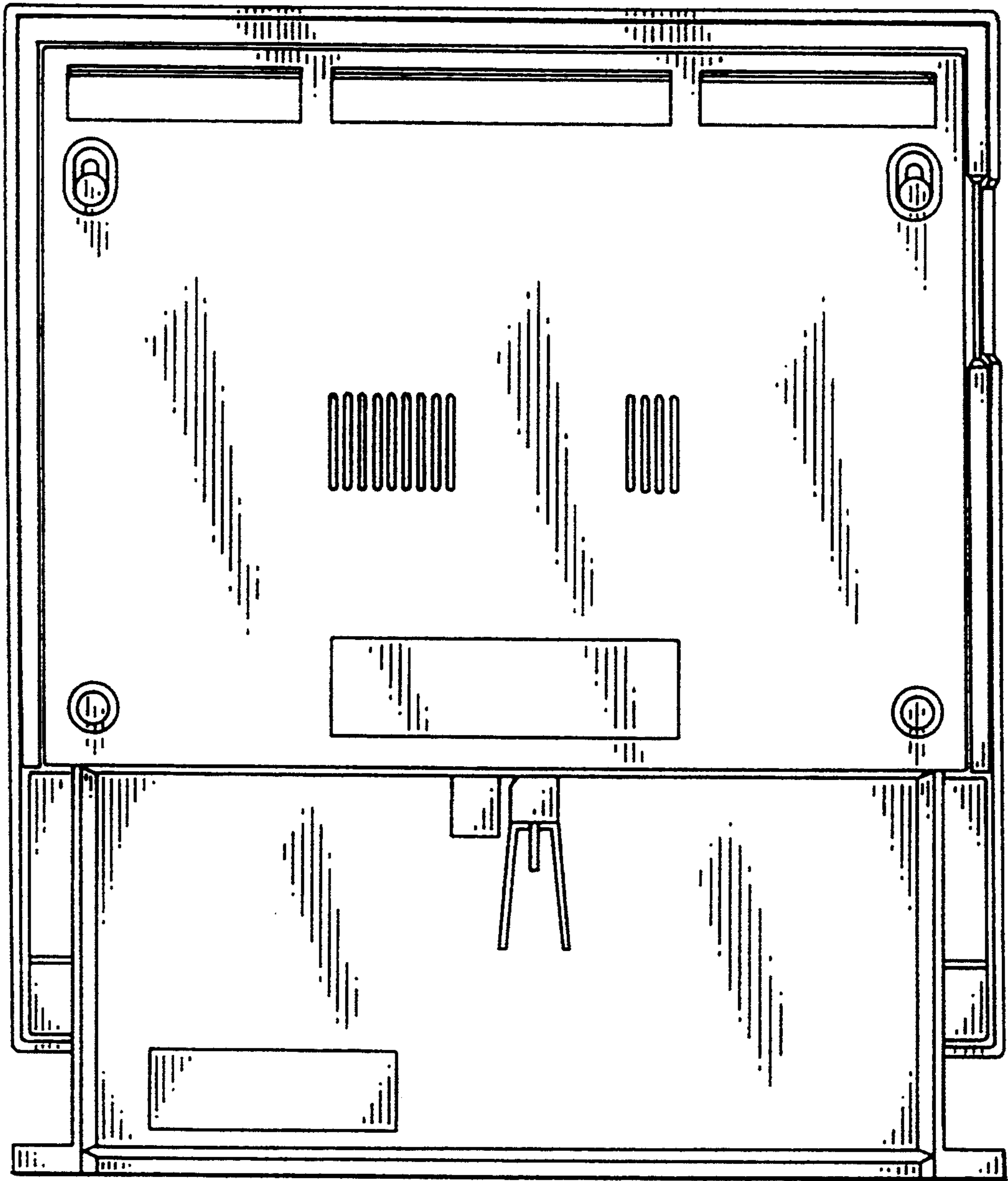


FIG. 5

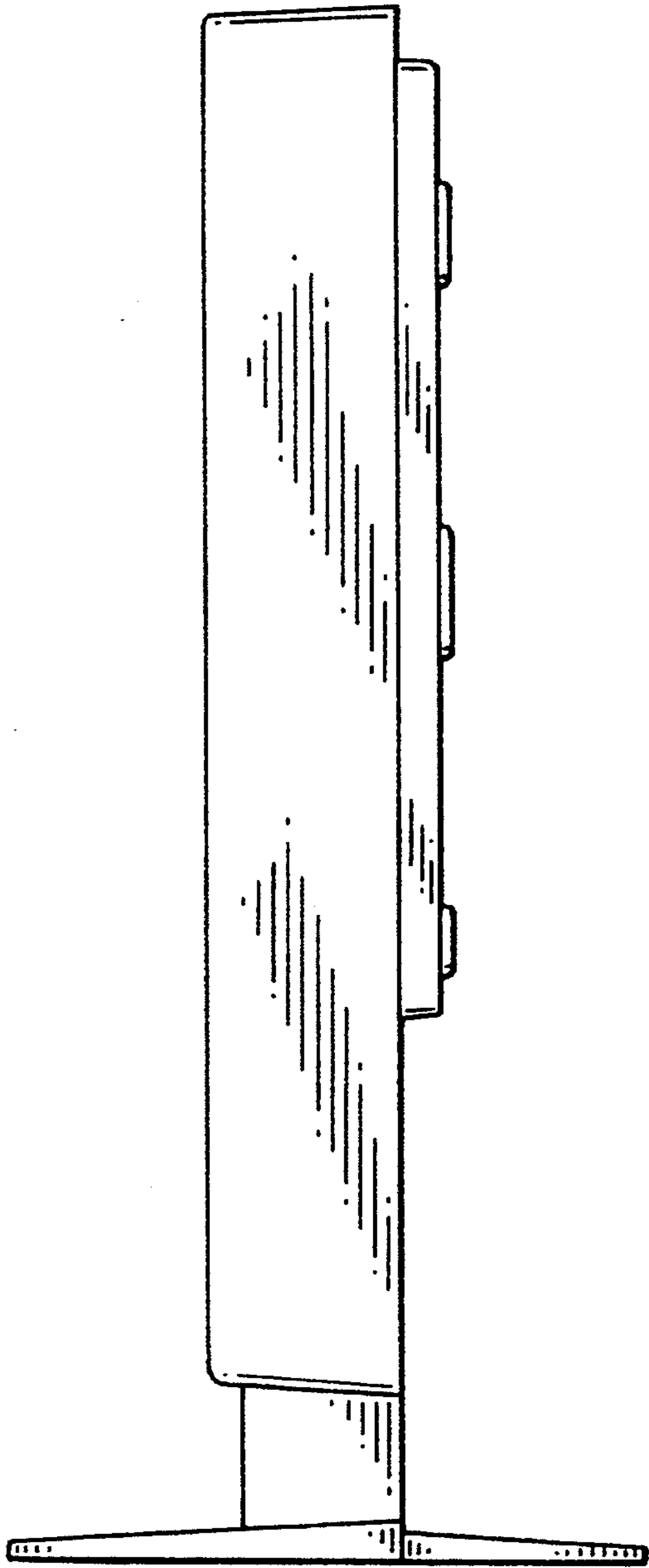


FIG. 6

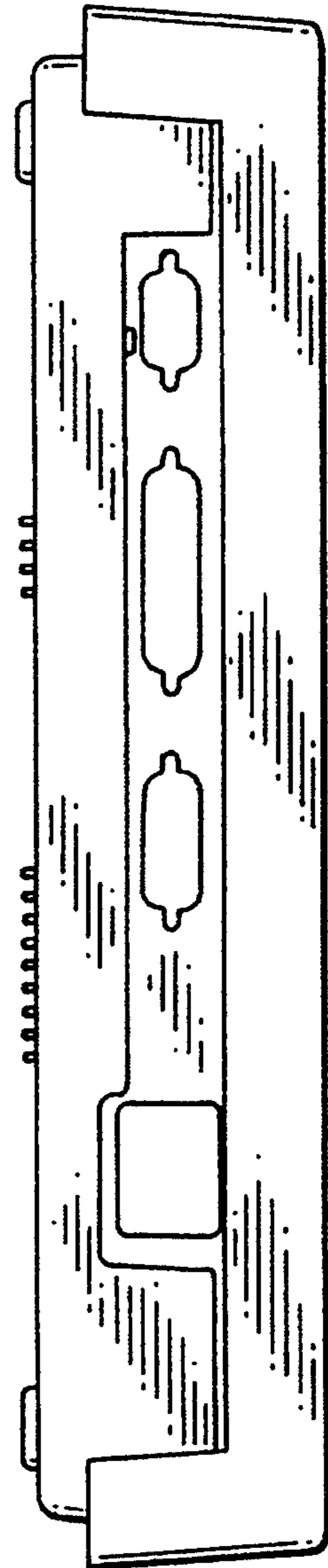


FIG. 8

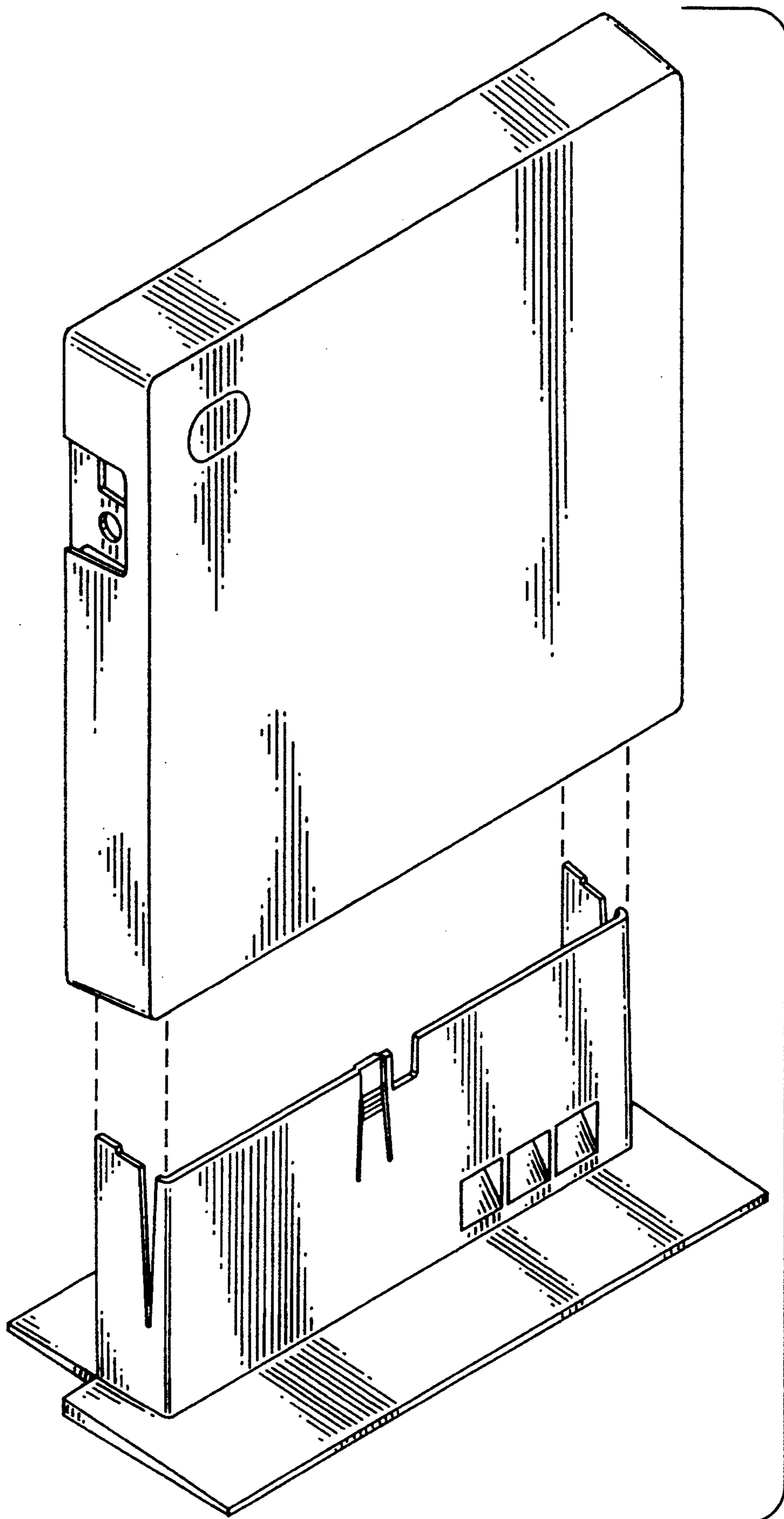


FIG. 7