



US00D351139S

**United States Patent** [19]  
**Ko**

[11] **Patent Number: Des. 351,139**

[45] **Date of Patent: \*\* Oct. 4, 1994**

[54] **FAN SPEED AND LIGHT DIMMER  
CONTROLLER**

4,631,377 12/1986 Imazeki et al. .... D13/170 X  
4,873,403 10/1989 Counts et al. .... D13/170 X

[75] **Inventor: Jen-Far Ko, Taichung, Taiwan**

*Primary Examiner*—Wallace R. Burke  
*Assistant Examiner*—Joel Sincavage  
*Attorney, Agent, or Firm*—Bacon & Thomas

[73] **Assignee: Wll Tec Precision Industry Co., Ltd.,  
Taichung, Taiwan**

[57] **CLAIM**

[\*\*] **Term: 14 Years**

The ornamental design for a fan speed and light dimmer controller, as shown and described.

[21] **Appl. No.: 3,628**

**DESCRIPTION**

[22] **Filed: Jan. 11, 1993**

[52] **U.S. Cl. .... D13/162; D13/170**

[58] **Field of Search .... 200/5 A, 5 R, 547, 293,  
200/294, 303; D13/162, 164, 170**

FIG. 1 is a perspective view of a fan speed and light dimmer controller taken from above and side showing my new design;

FIG. 2 is a front elevational view thereof;

FIG. 3 is a rear elevational view thereof;

FIG. 4 is a top plan view thereof;

FIG. 5 is a bottom plan view thereof;

FIG. 6 is a left side elevational view thereof;

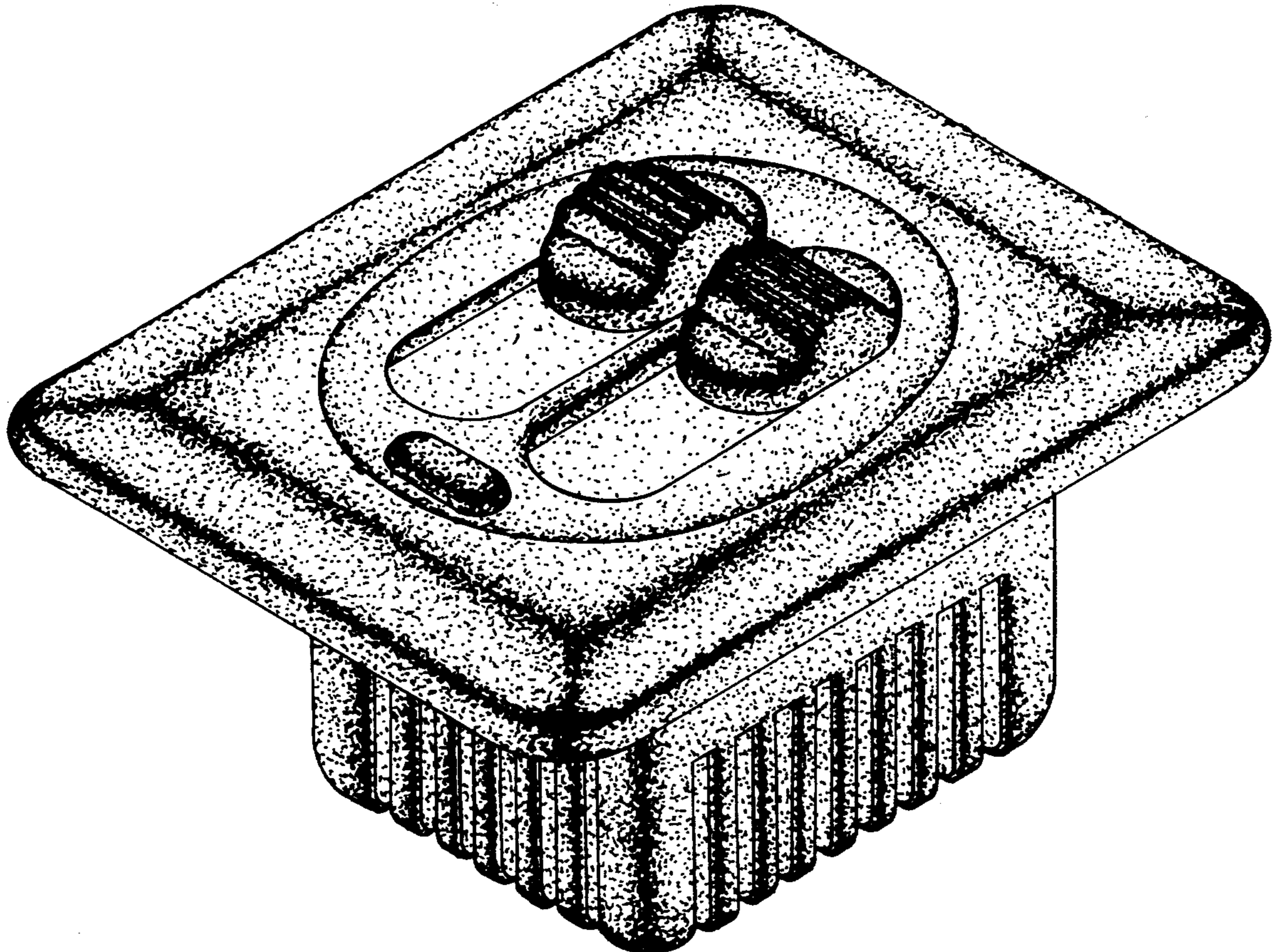
FIG. 7 is a right side elevational view thereof; and,

FIG. 8 is a rear and lower left perspective view thereof.

[56] **References Cited**

**U.S. PATENT DOCUMENTS**

D. 263,298 3/1982 Proctor et al. .... D13/170  
D. 308,045 5/1990 Counts et al. .... D13/170  
D. 329,635 9/1992 Tsai ..... D13/170 X





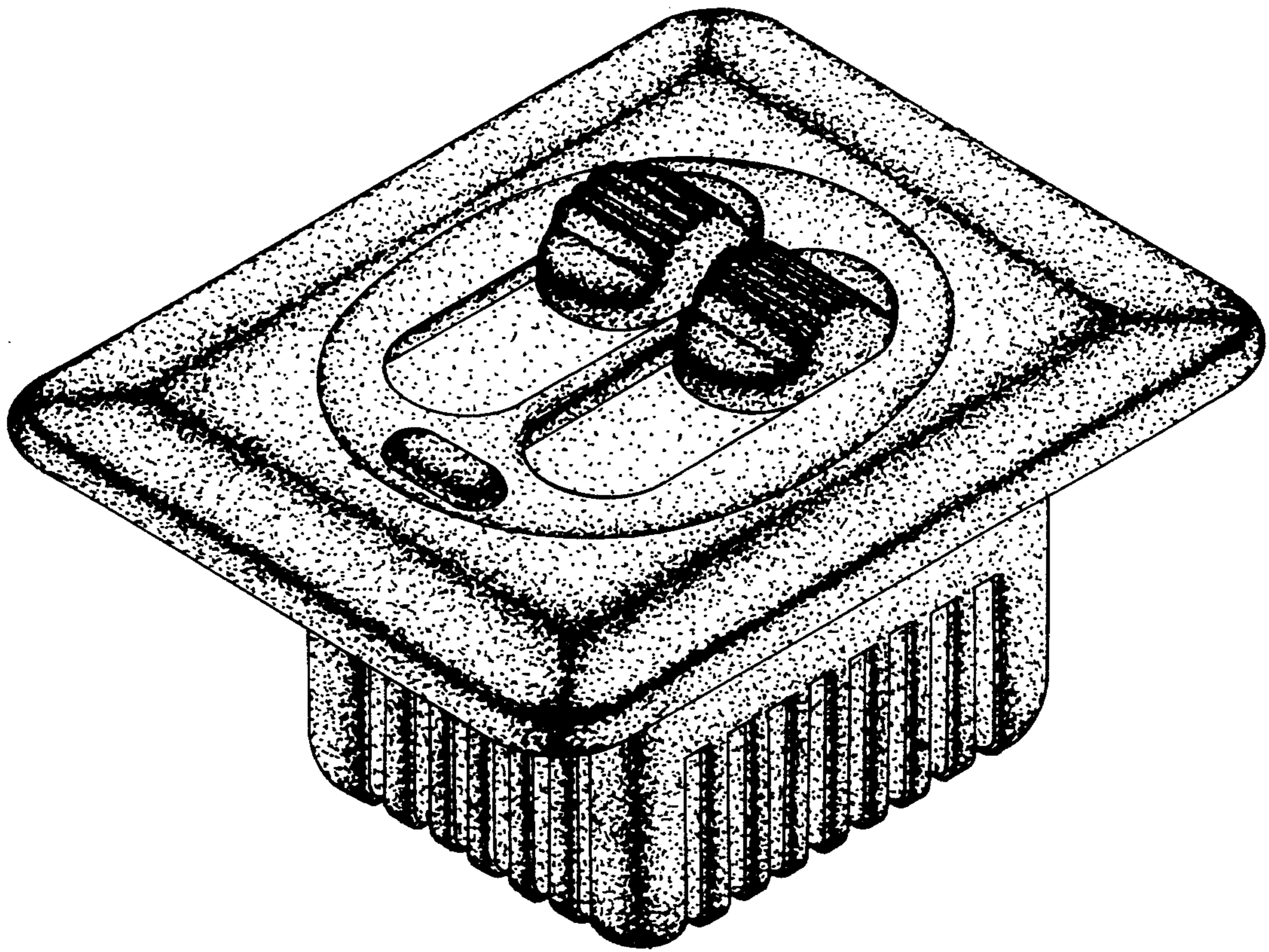


Fig. 1

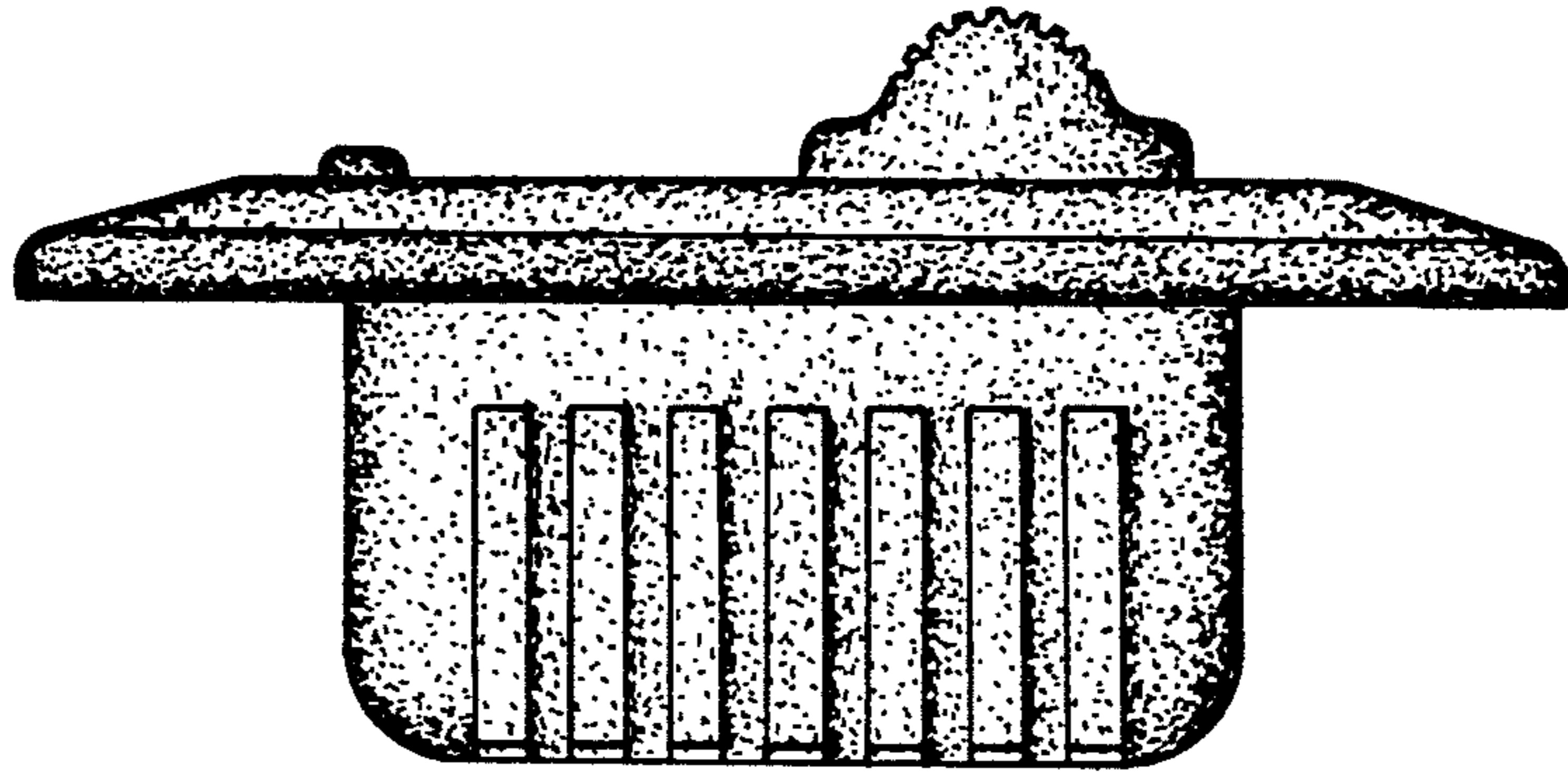


Fig. 2

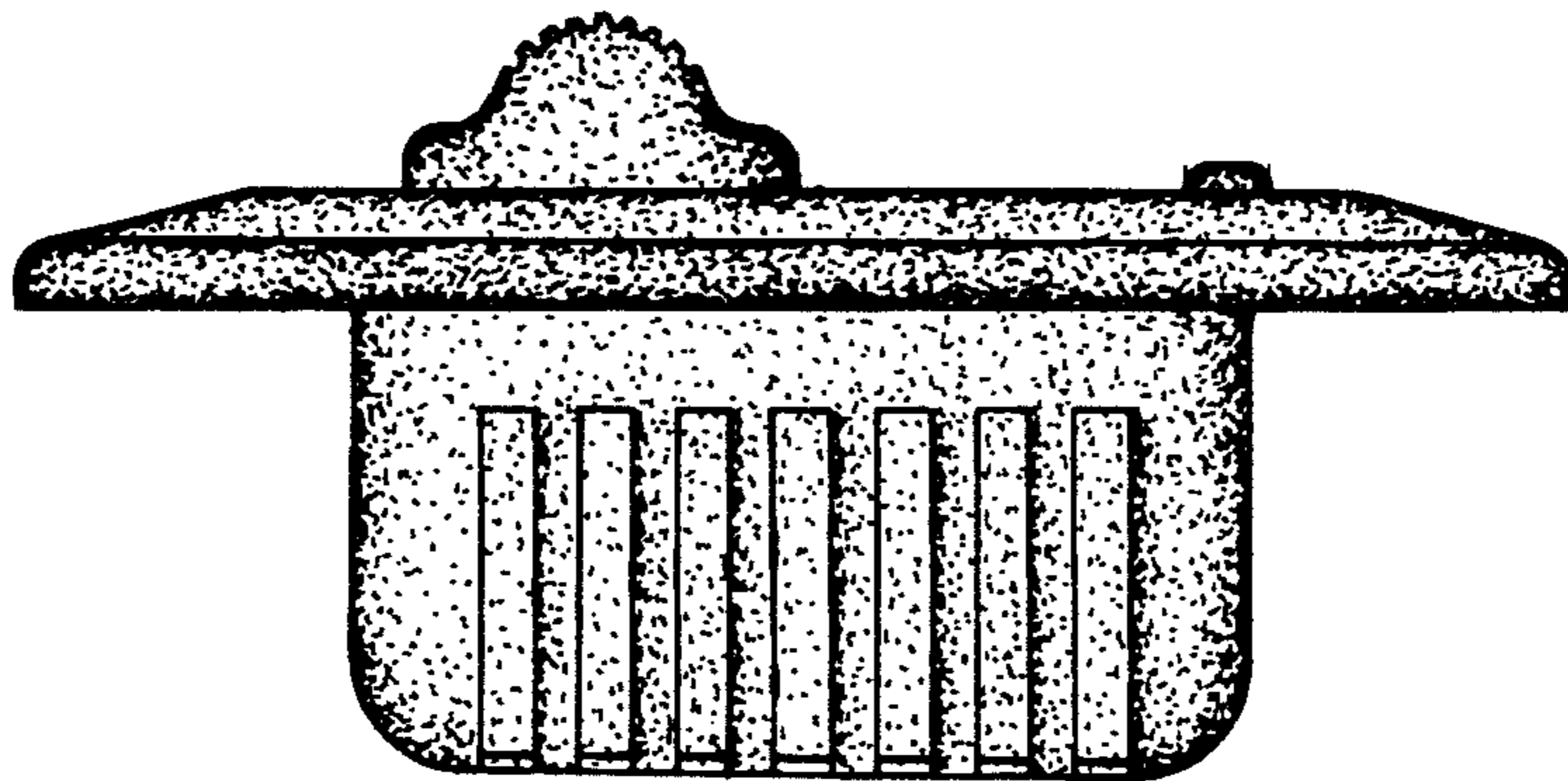


Fig. 3

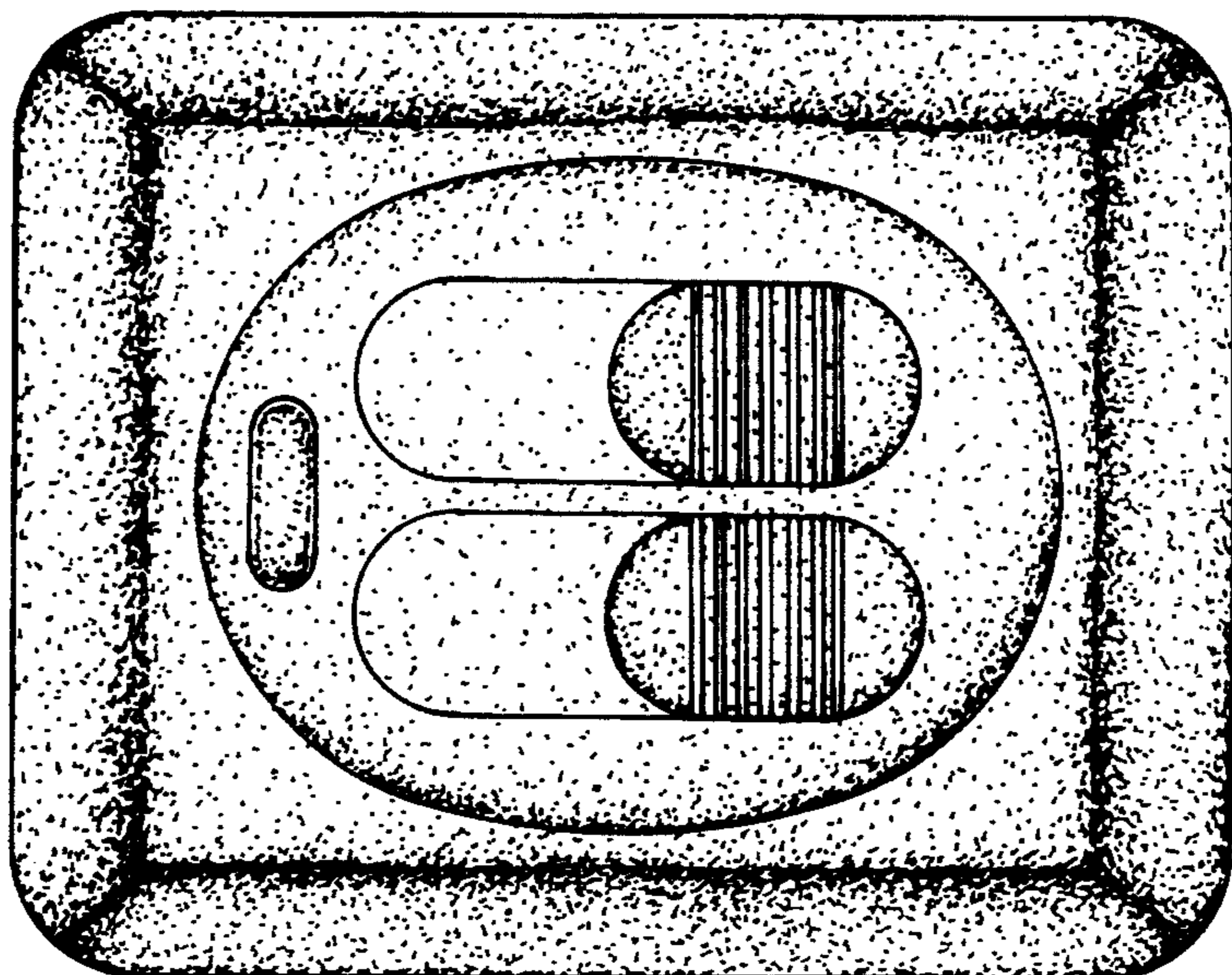


Fig. 4



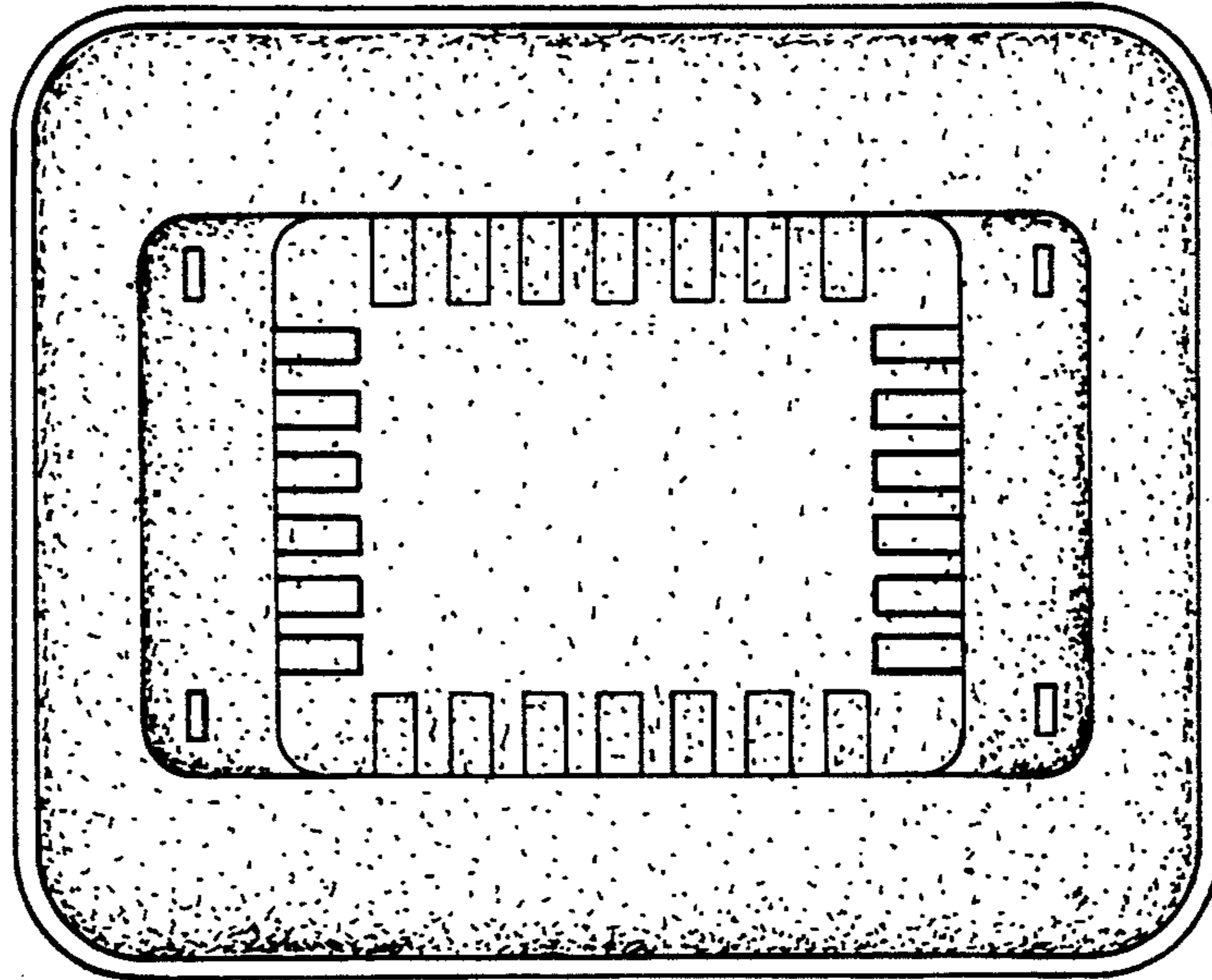


Fig. 5

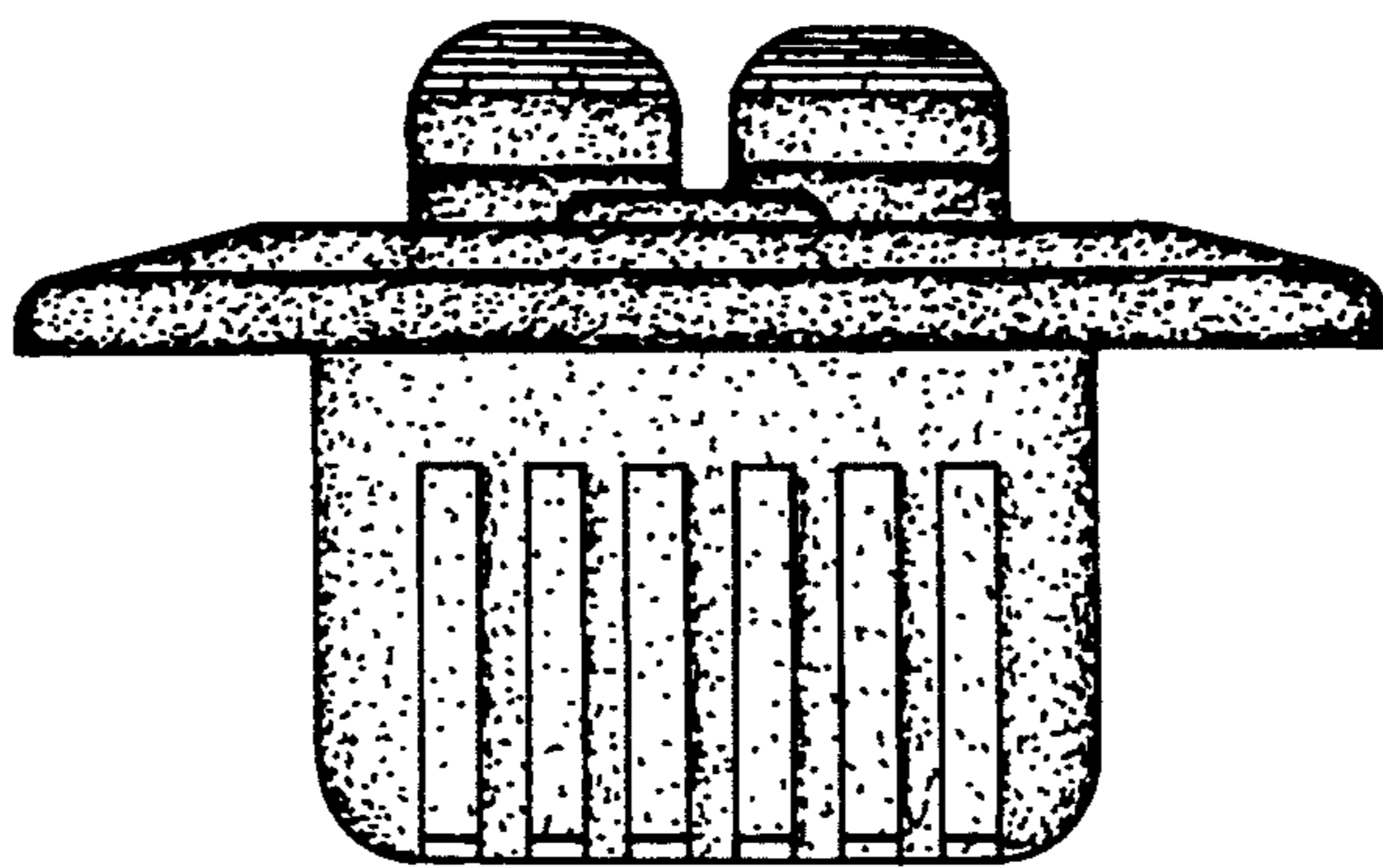


Fig. 6

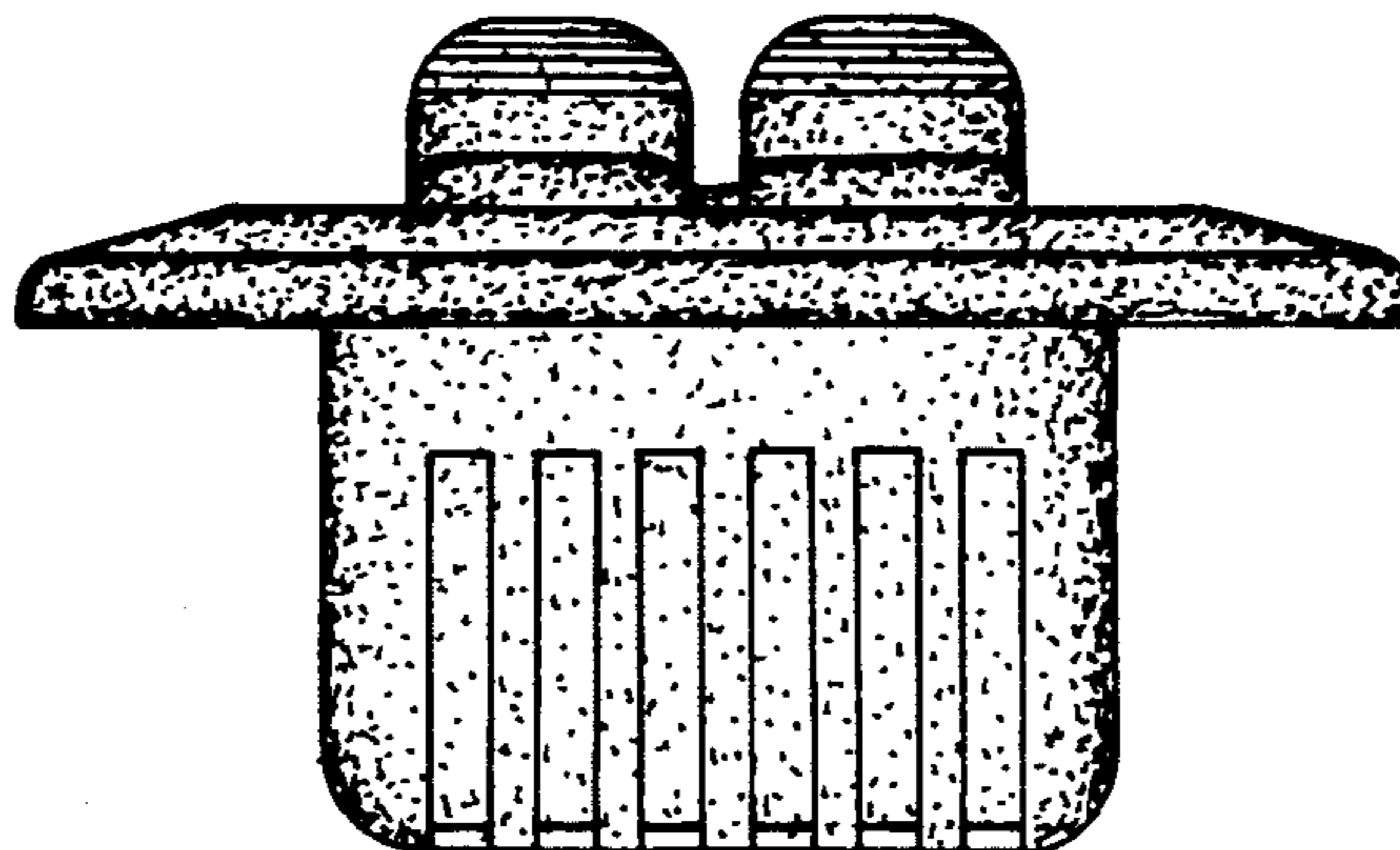


Fig. 7

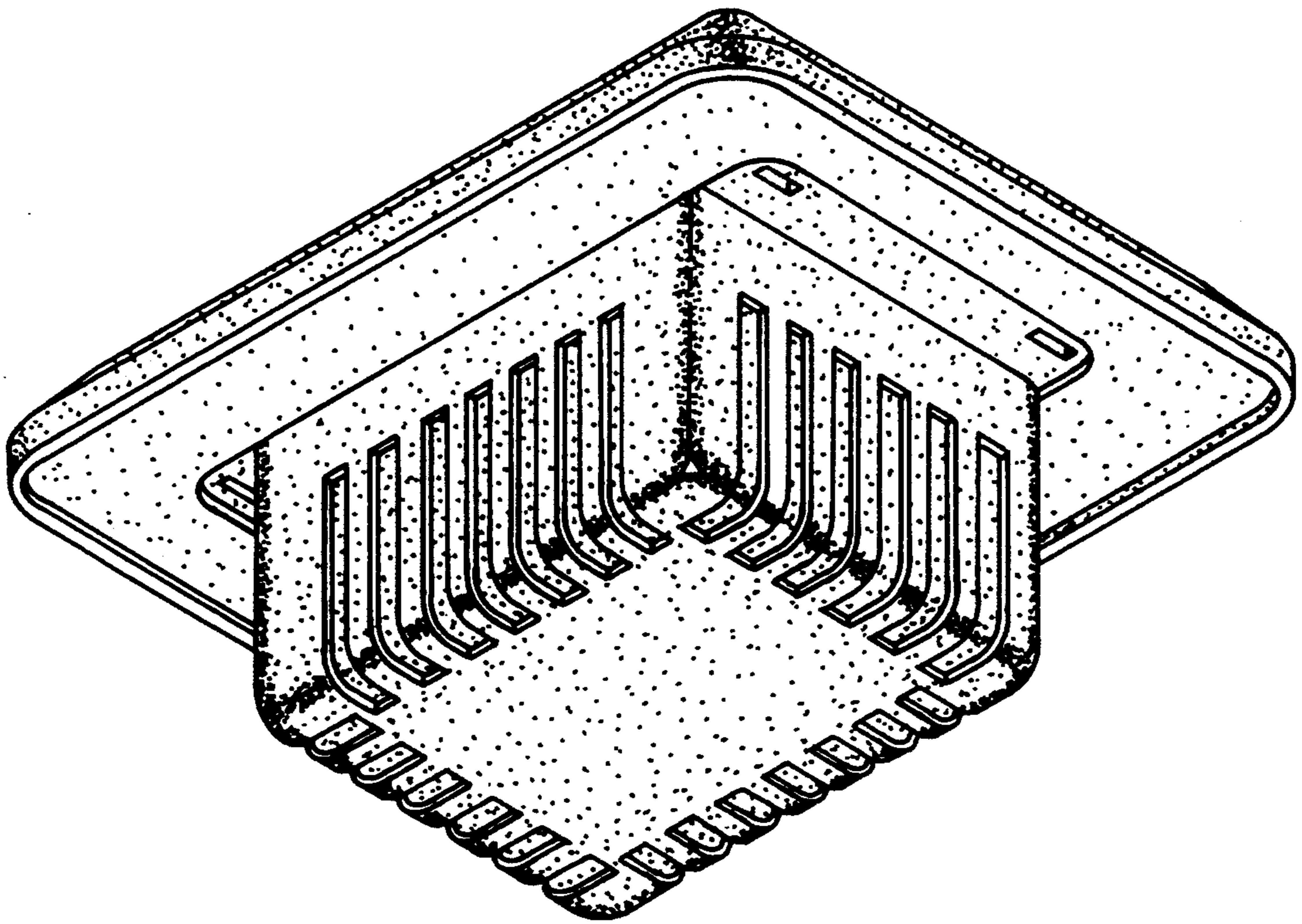


Fig. 8