



US00D351137S

# United States Patent [19]

[11] Patent Number: **Des. 351,137**

**Sato**

[45] Date of Patent: **\*\* Oct. 4, 1994**

[54] **FEMALE CONNECTOR FOR SURFACE MOUNTING**

4,878,856	11/1989	Maxwell	439/629 X
4,938,704	7/1990	Fujiura	439/95
5,228,873	7/1993	Hirai	439/607

[75] Inventor: **Kiyoshi Sato, Tokyo, Japan**

[73] Assignee: **Honda Tsushin Kogyo Kabushiki Kaishacals, Tokyo, Japan**

[\*\*] Term: **14 Years**

[21] Appl. No.: **5,486**

[22] Filed: **Feb. 25, 1993**

[30] **Foreign Application Priority Data**

Aug. 31, 1992 [JP] Japan ..... 4-25788

[52] U.S. Cl. .... **D13/147**

[58] Field of Search ..... 439/95, 247, 248, 306, 439/309, 327, 329, 344, 345, 352, 557, 564, 571, 573, 607, 610, 629, 676; D13/146, 147

[56] **References Cited**

**U.S. PATENT DOCUMENTS**

4,113,337	9/1978	McKee	439/557 X
4,124,267	11/1978	Mines et al.	439/557 X
4,518,209	5/1985	Negley	439/609 X
4,679,013	7/1987	Farrar et al.	D13/147 X
4,854,890	8/1989	Nishimura	D13/147 X

**OTHER PUBLICATIONS**

Connectors on p. 57 of *Design News* May 8, 1898.

*Primary Examiner*—Wallace R. Burke

*Assistant Examiner*—Joel Sincavage

*Attorney, Agent, or Firm*—Richard C. Litman

[57] **CLAIM**

The ornamental design for a female connector for surface mounting, as shown and described.

**DESCRIPTION**

FIG. 1 is a front, right side, bottom perspective view of a female connector for surface mounting;  
 FIG. 2 is a front view thereof;  
 FIG. 3 is a rear view thereof;  
 FIG. 4 is a plan view thereof;  
 FIG. 5 is a bottom view thereof;  
 FIG. 6 is a right side view thereof;  
 FIG. 7 is an enlarged vertical sectional view thereof, taken along the line VII-VII of FIG. 2; and,  
 FIG. 8 is an enlarged vertical sectional view thereof, taken along the line VIII-VIII of FIG. 2.

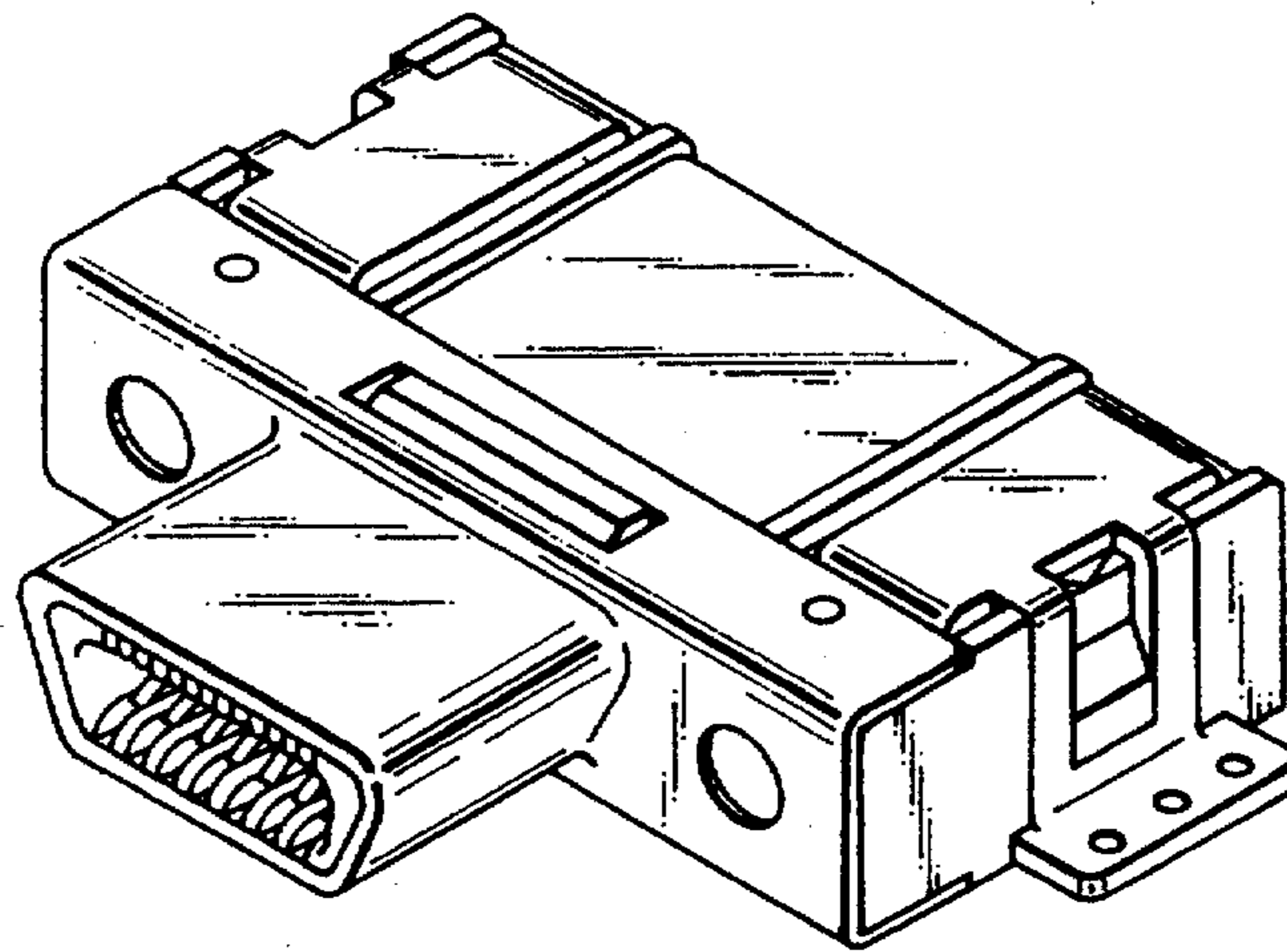


FIG. 1

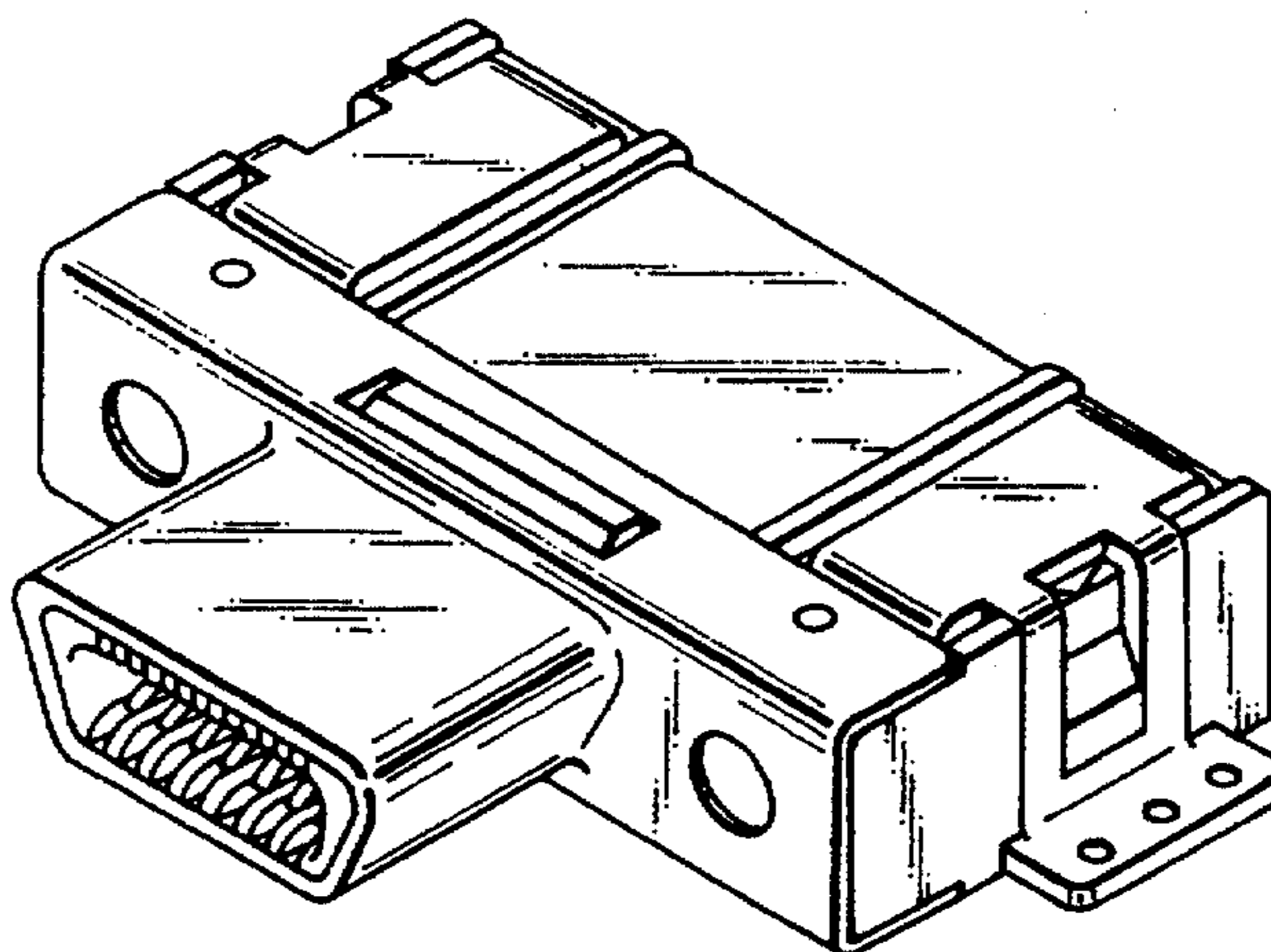


FIG. 2

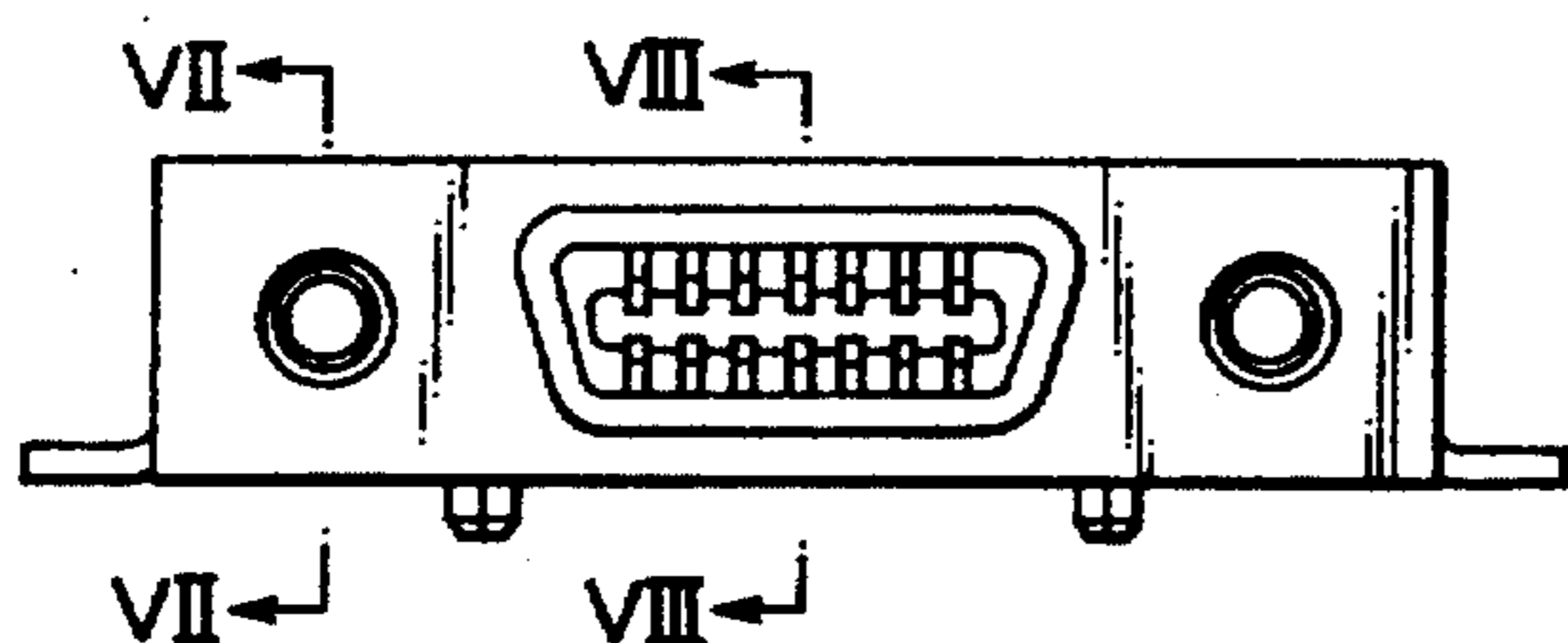


FIG. 3

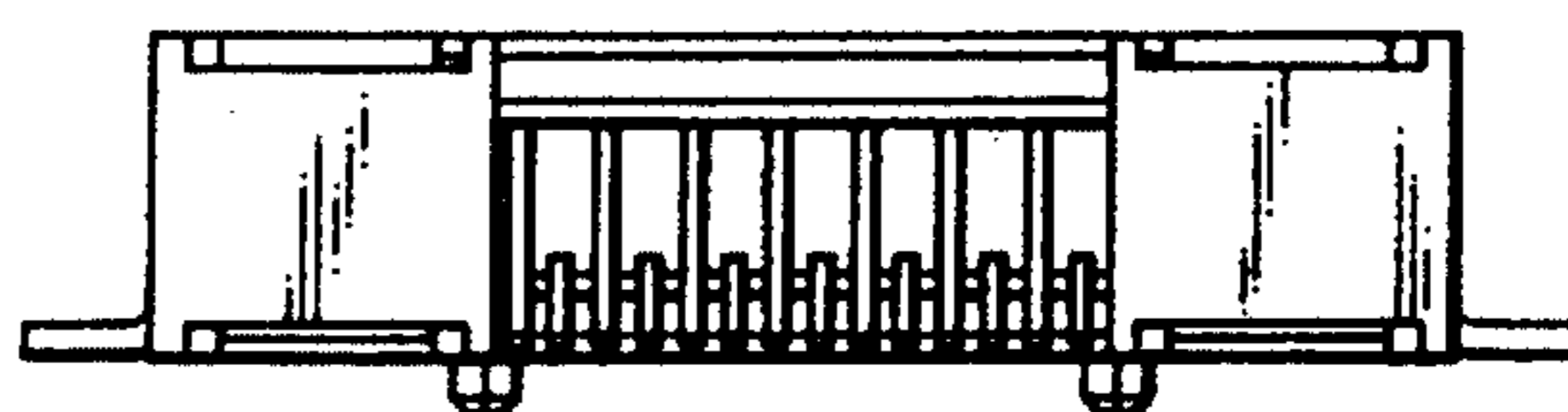


FIG. 4

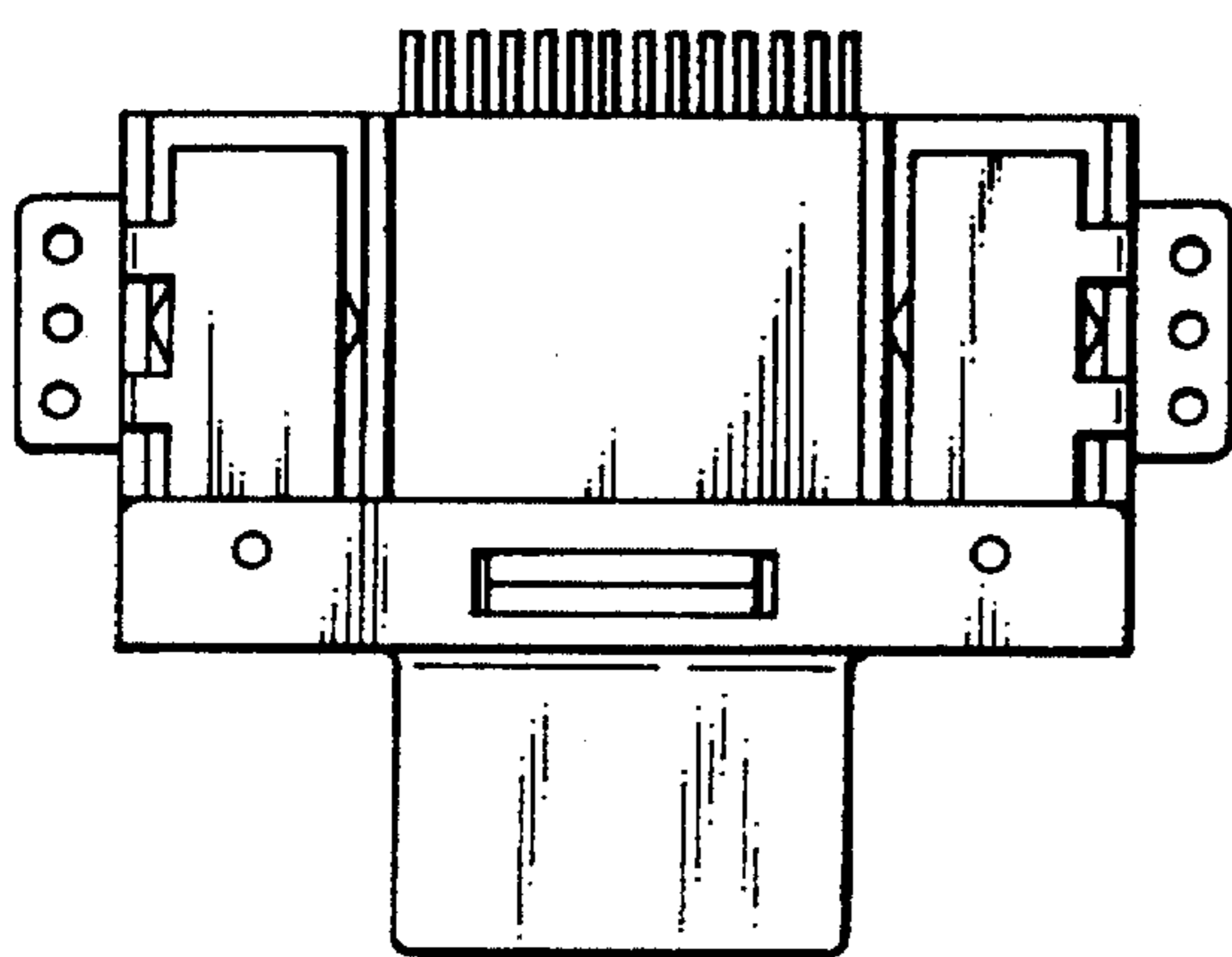


FIG. 5

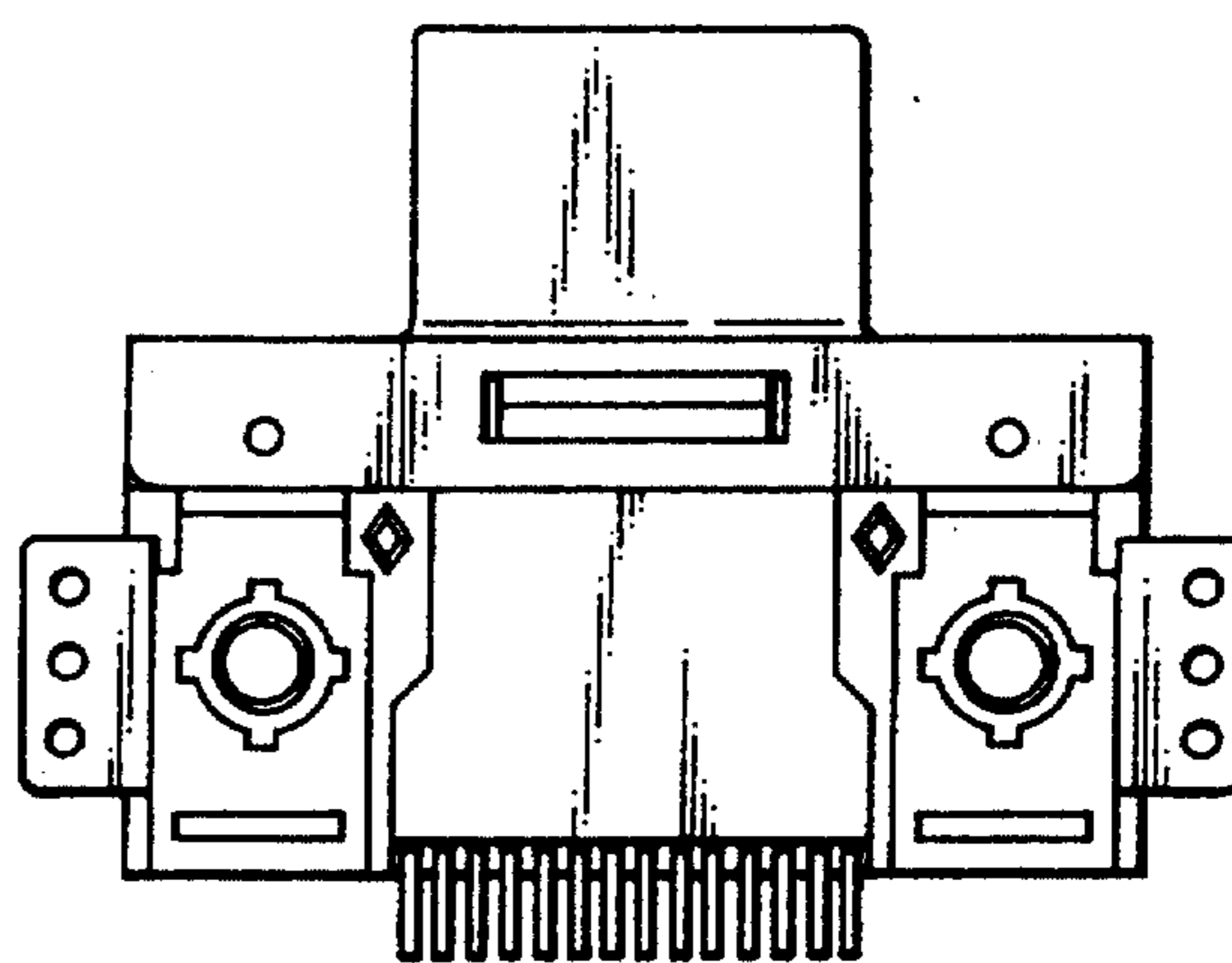


FIG. 6

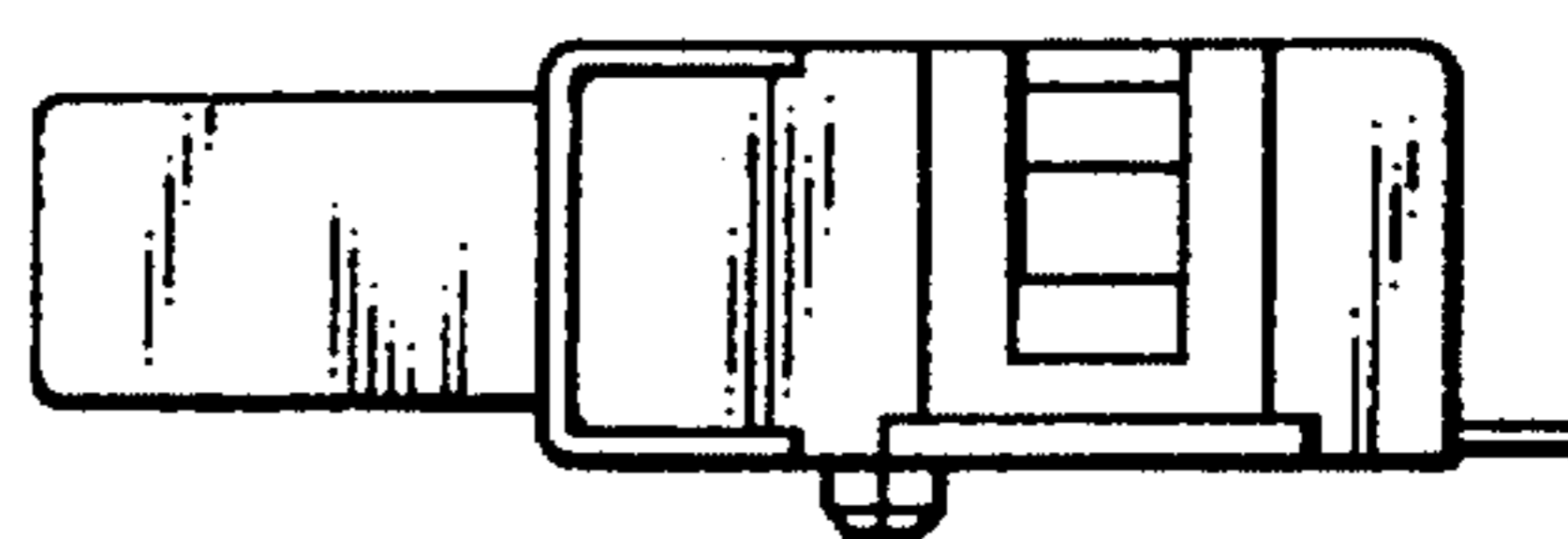


FIG. 7

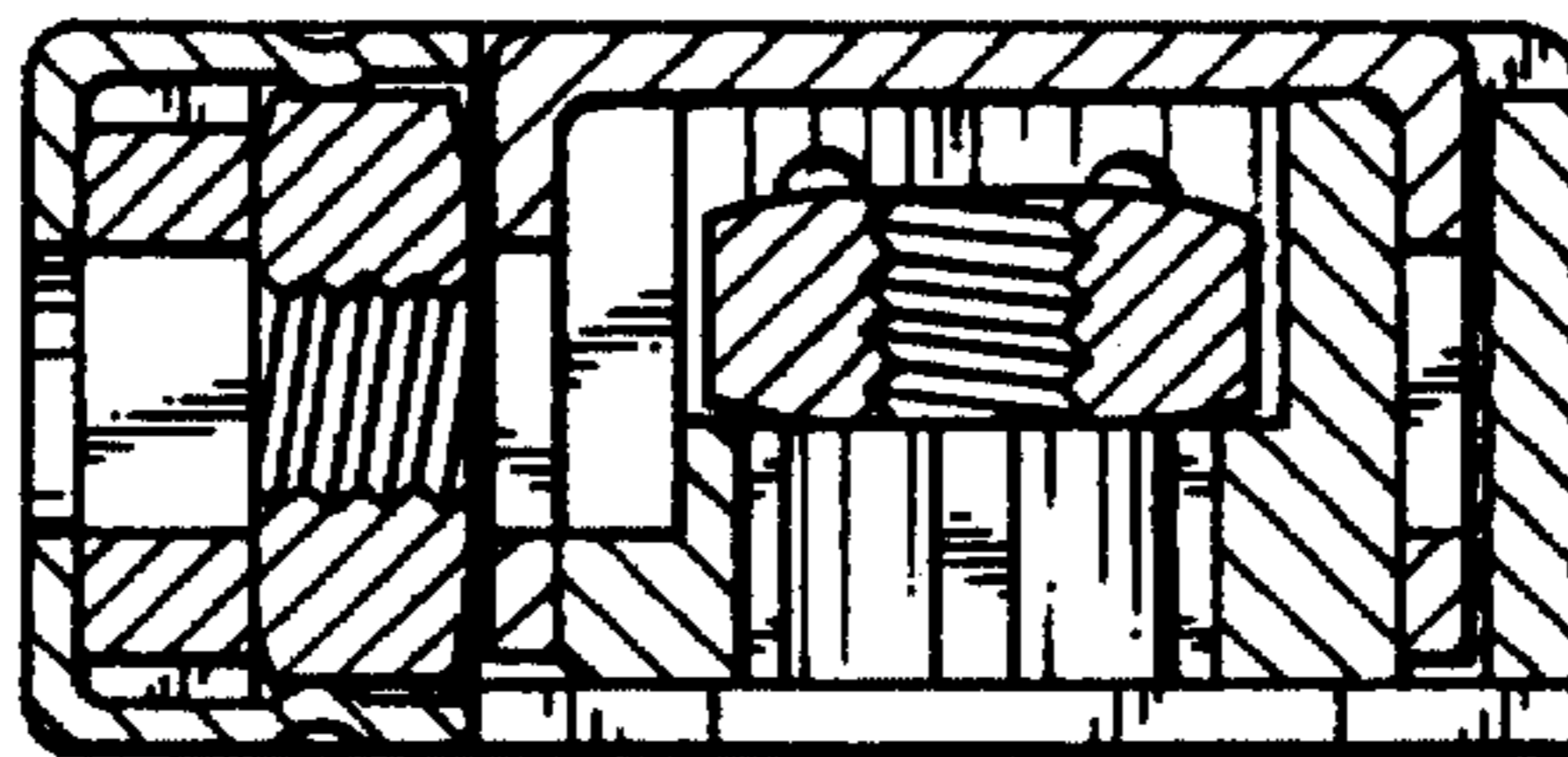
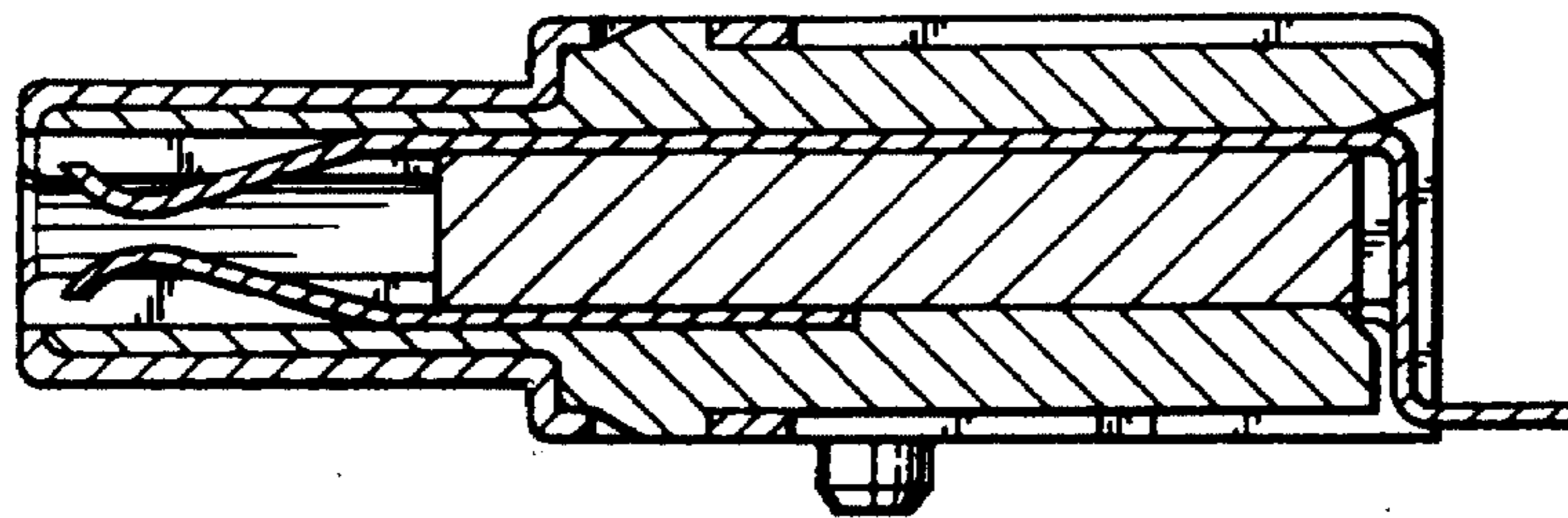


FIG. 8



UNITED STATES PATENT AND TRADEMARK OFFICE  
**CERTIFICATE OF CORRECTION**

PATENT NO. : Des. 351,137  
DATED : October 4, 1994  
INVENTOR(S) : Kiyoshi Sato

It is certified that error appears in the above-identified patent and that said Letters Patent is hereby corrected as shown below:

**On the title page:**

Item 30, Foreign Application Priority Data, should read  
Aug. 31, 1992 [JP] Japan.....4-25789.

Signed and Sealed this  
Eleventh Day of April, 1995



BRUCE LEHMAN

*Commissioner of Patents and Trademarks*

*Attest:*

*Attesting Officer*