



US00D351136S

United States Patent [19]

Kurata

[11] **Patent Number: Des. 351,136**

[45] **Date of Patent: ** Oct. 4, 1994**

[54] **MALE CONNECTOR FOR PRINTED WIRING BOARD**

4,807,088 2/1989 Wistling 361/785 X
5,181,862 1/1993 Hawk et al. D13/147 X
5,201,675 4/1993 Igarashi et al. 439/607

[75] Inventor: **Takashi Kurata**, Tokyo, Japan

[73] Assignee: **Honda Tsushin Kogyo Kabushiki Kaishacals**, Tokyo, Japan

[**] Term: **14 Years**

[21] Appl. No.: **5,485**

[22] Filed: **Feb. 25, 1993**

[30] **Foreign Application Priority Data**

Aug. 31, 1992 [JP] Japan 4-25786

[52] U.S. Cl. **D13/147**

[58] **Field of Search** 439/62, 247, 248, 306, 439/309, 327, 328, 329, 344, 345, 352, 564, 571, 573, 607, 610, 676, 785; D13/146, 147

[56] **References Cited**

U.S. PATENT DOCUMENTS

3,803,533 4/1974 Taplin 439/328
4,479,686 10/1984 Hoshino et al. 439/62 X

Primary Examiner—Wallace R. Burke
Assistant Examiner—Joel Sincavage
Attorney, Agent, or Firm—Richard C. Litman

[57] **CLAIM**

The ornamental design for a male connector for printed wiring board, as shown and described.

DESCRIPTION

FIG. 1 is a front, right side, bottom perspective view of a male connector for printed wiring board; FIG. 2 is a front view thereof; FIG. 3 is a rear view thereof; FIG. 4 is a plan view thereof; FIG. 5 is a bottom view thereof; FIG. 6 is a right side view thereof; FIG. 7 is an enlarged vertical sectional view thereof, taken along the VII—VII line of FIG. 2; and, FIG. 8 is an enlarged transverse sectional view thereof, taken along the VIII—VIII line of FIG. 2.

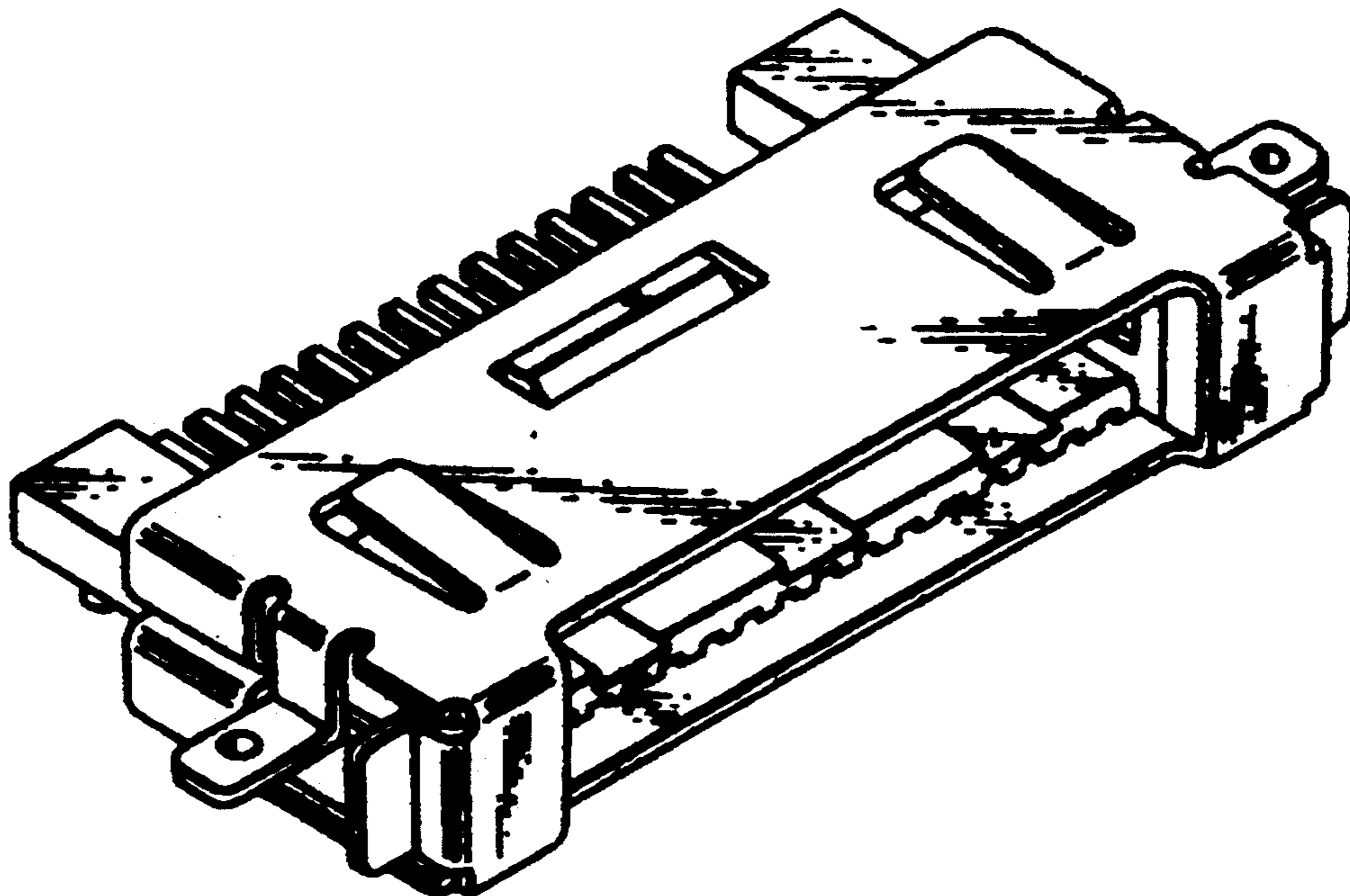


FIG. 1

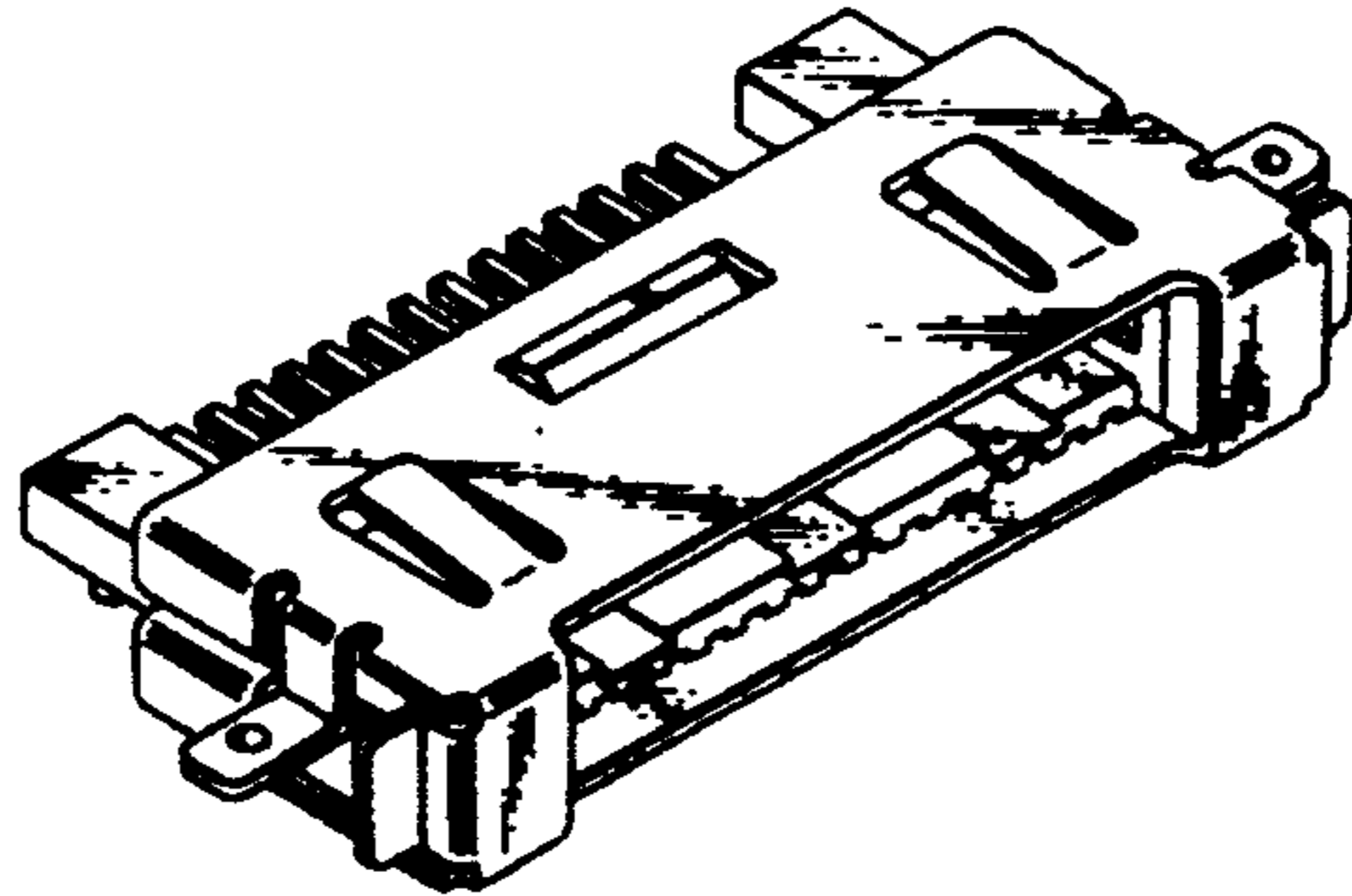


FIG. 2

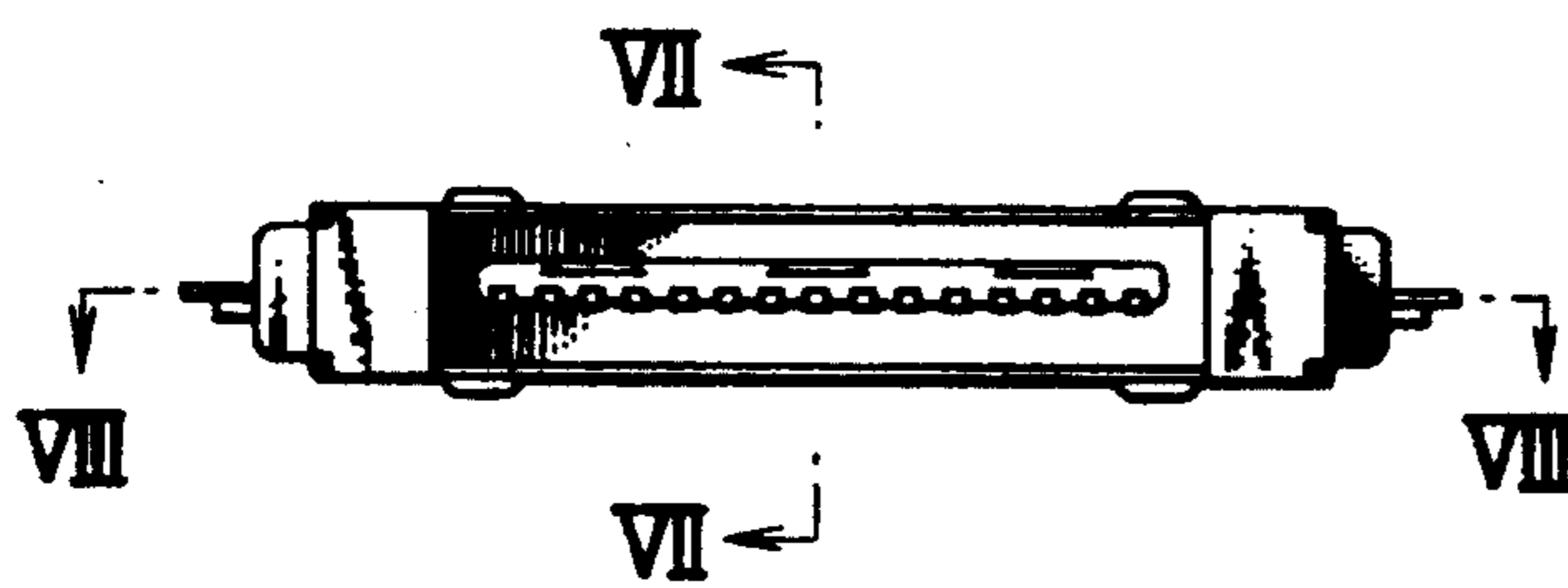


FIG. 3



FIG. 4

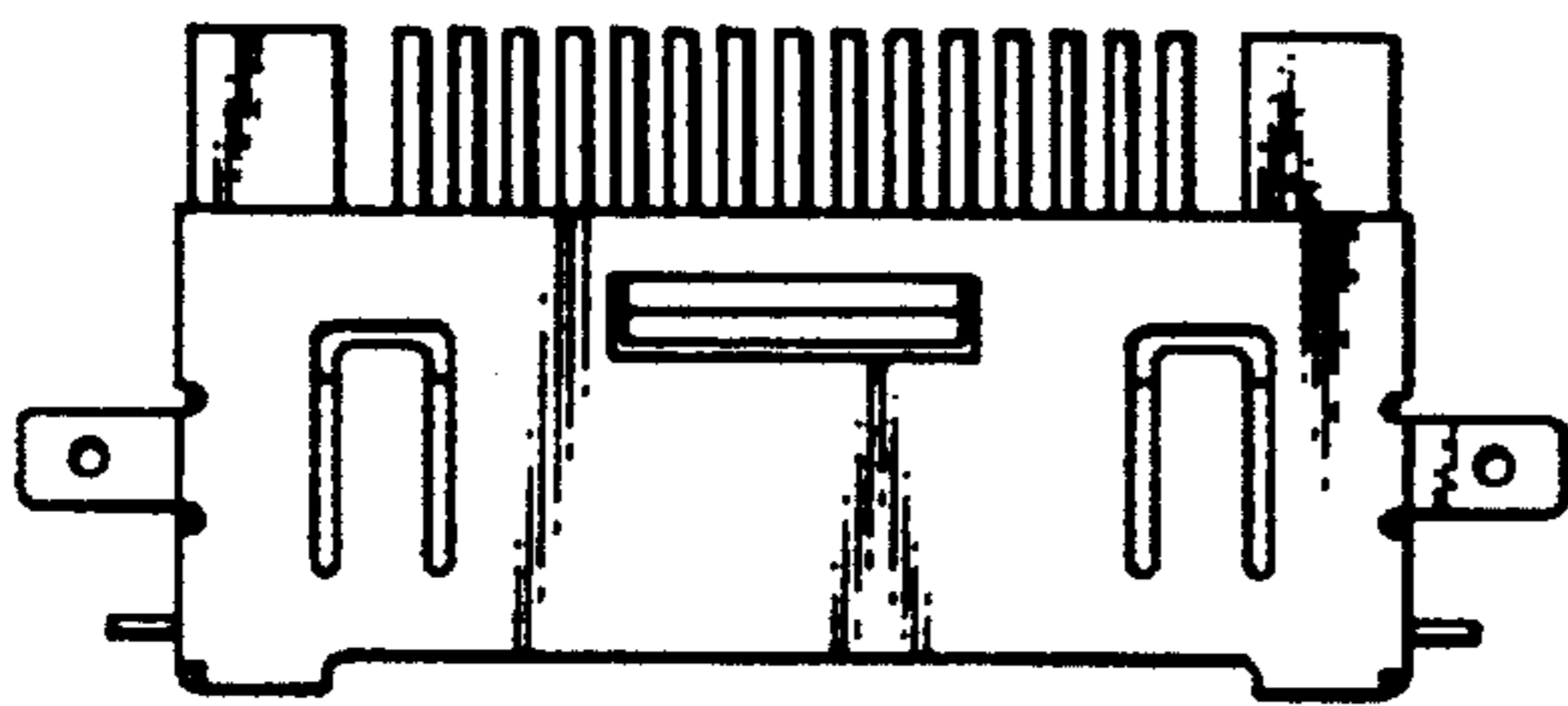


FIG. 5

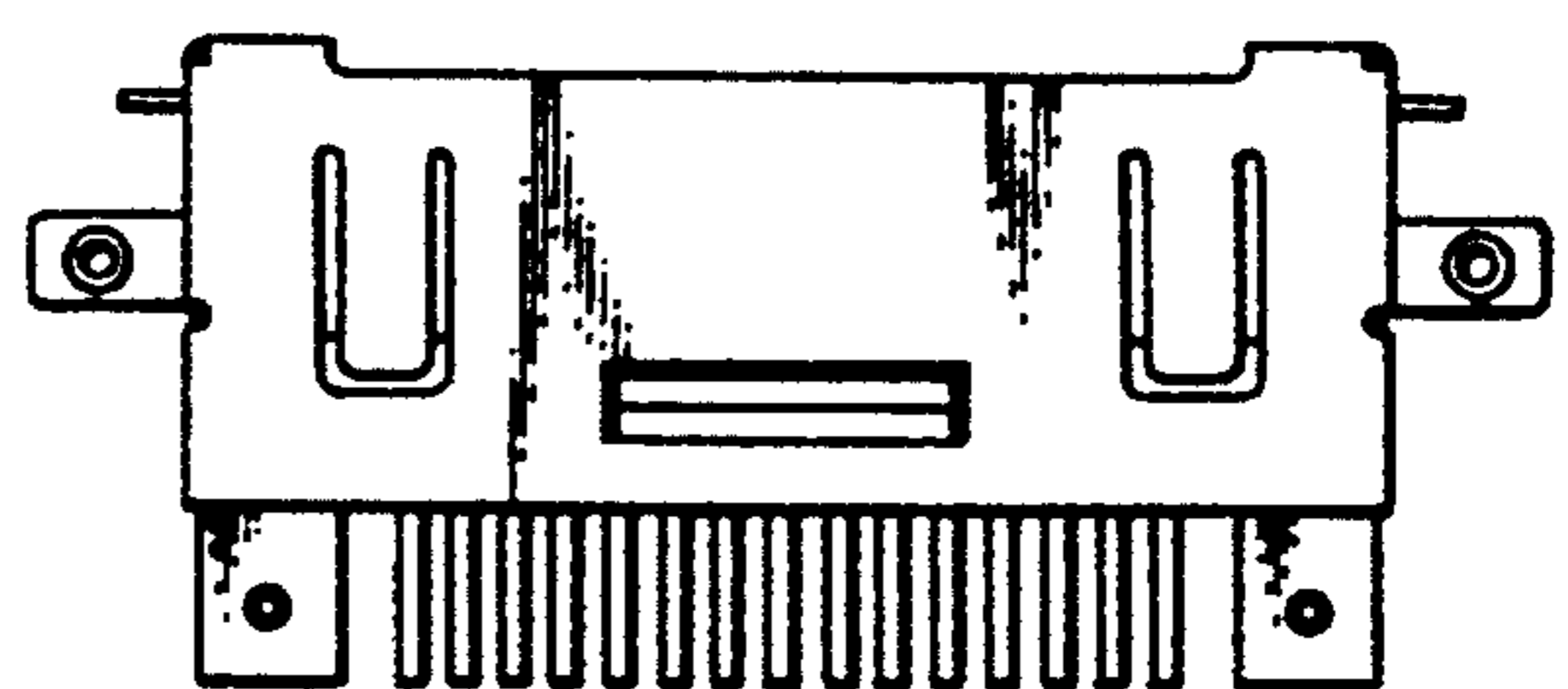


FIG. 6



FIG. 7

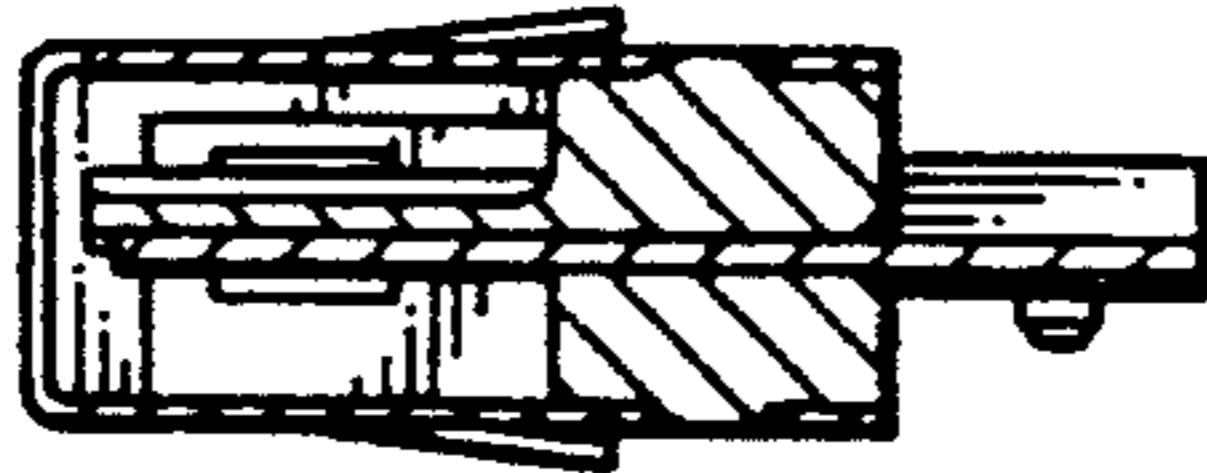


FIG. 8

