



US00D351134S

United States Patent [19]
Hunziker

[11] **Patent Number: Des. 351,134**
[45] **Date of Patent: ** Oct. 4, 1994**

[54] **POWER CONVERTER CASING**

- [75] Inventor: **Hansjuerg Hunziker**, Embrach, Switzerland
- [73] Assignee: **Melcher AG**, Uster, Switzerland
- [**] Term: **14 Years**
- [21] Appl. No.: **6,911**
- [22] Filed: **Apr. 8, 1993**
- [52] U.S. Cl. **D13/110**
- [58] Field of Search 363/15, 141, 144;
361/679, 690, 707, 709, 728; D13/110, 118, 123;
D14/107, 114

[56] **References Cited**

U.S. PATENT DOCUMENTS

D. 210,596	3/1968	Becker	D13/110
D. 286,396	10/1986	Luciano	D13/118
D. 294,565	3/1988	Makinson et al.	D13/110
D. 305,115	12/1989	Kondo et al.	D13/110
D. 328,057	7/1992	Prager et al.	D13/110
D. 338,653	8/1993	Morgan et al.	D13/110
4,872,102	10/1989	Getter	361/709 X

OTHER PUBLICATIONS

Power converters on p. 179 of EDN May 10, 1990.

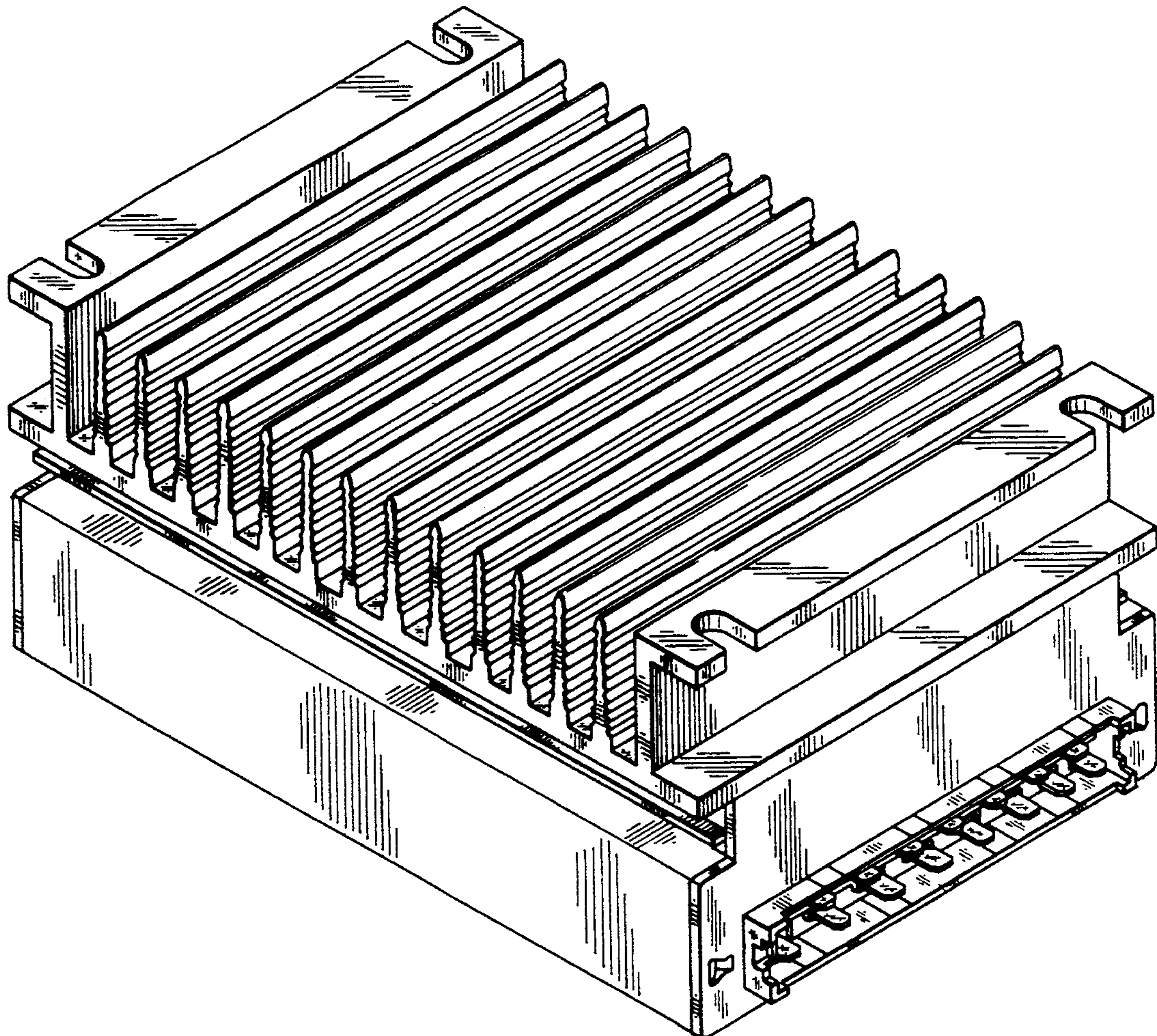
Primary Examiner—Wallace R. Burke
Assistant Examiner—Joel Sincavage
Attorney, Agent, or Firm—Johnson & Gibbs

[57] **CLAIM**

The ornamental design for the power converter casing, as shown and described.

DESCRIPTION

FIG. 1 is a perspective view of the power converter casing;
 FIG. 2 is a side elevational view taken from the right side thereof of the power converter casing;
 FIG. 3 is a front elevational view which is identical to the rear elevational view of the power converter casing;
 FIG. 4 is a side elevational view taken from the left side thereof of the power converter casing;
 FIG. 5 is a top plan view of the power converter casing; and,
 FIG. 6 is a bottom plan view of the power converter casing.



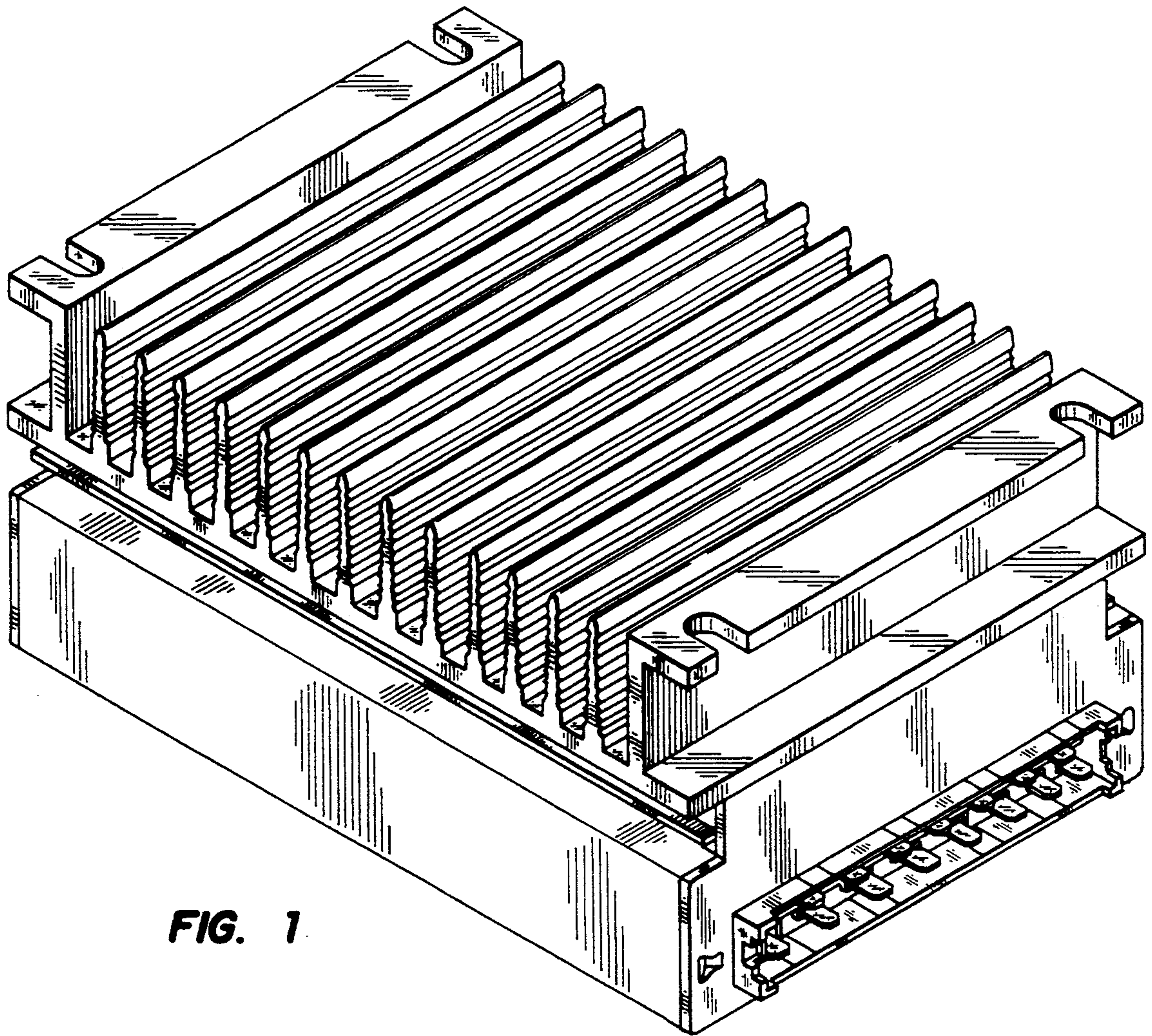


FIG. 1

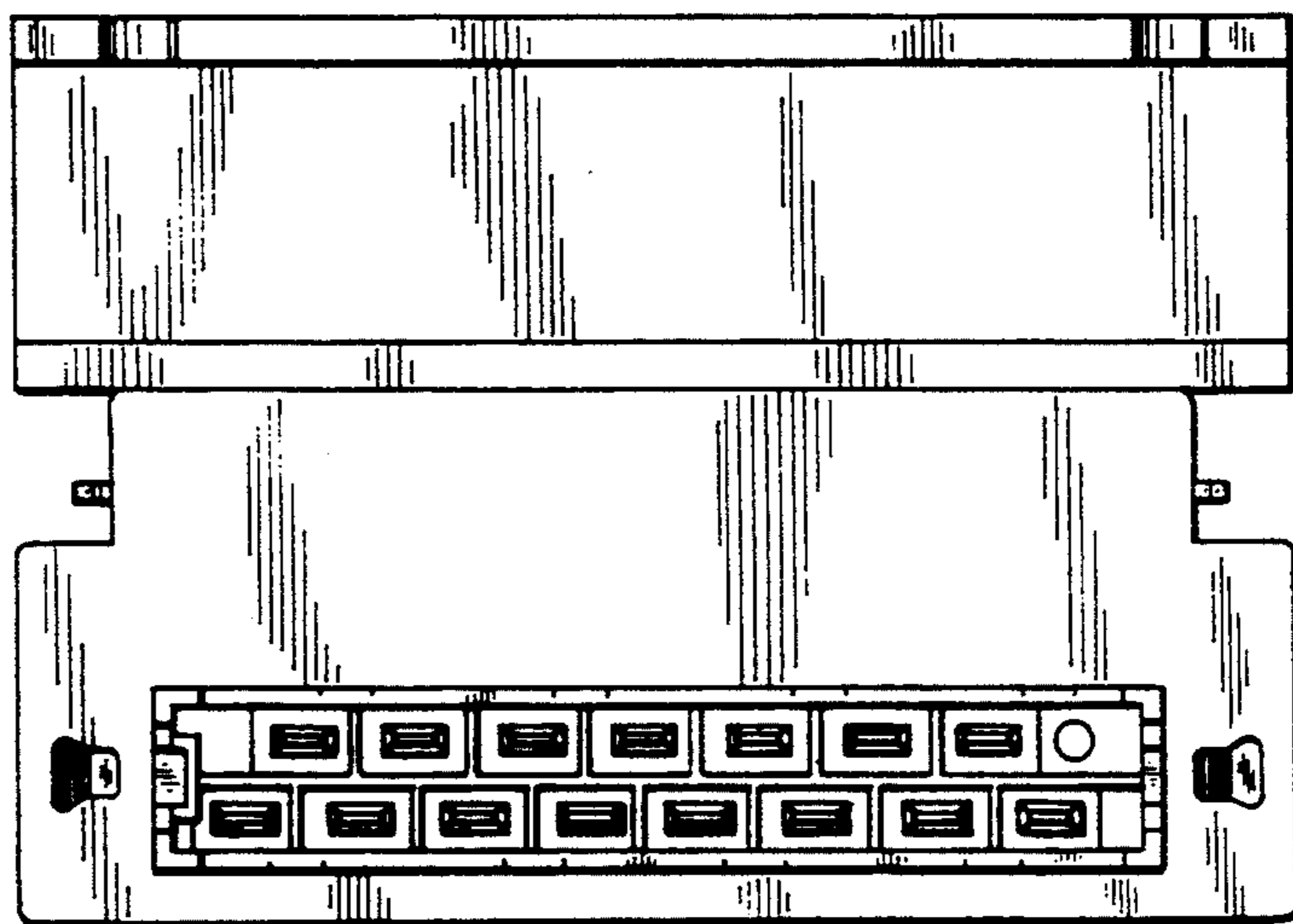


FIG. 2

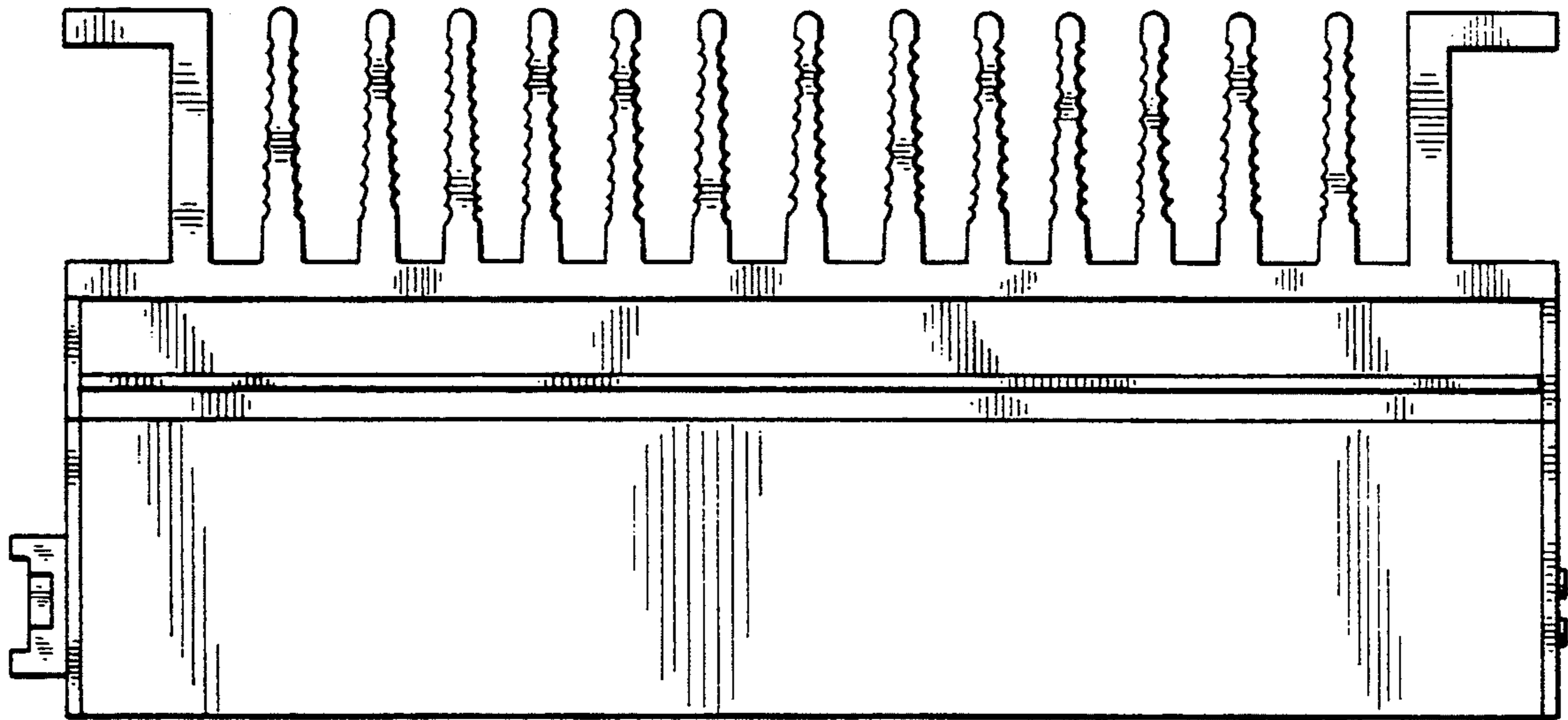


FIG. 3

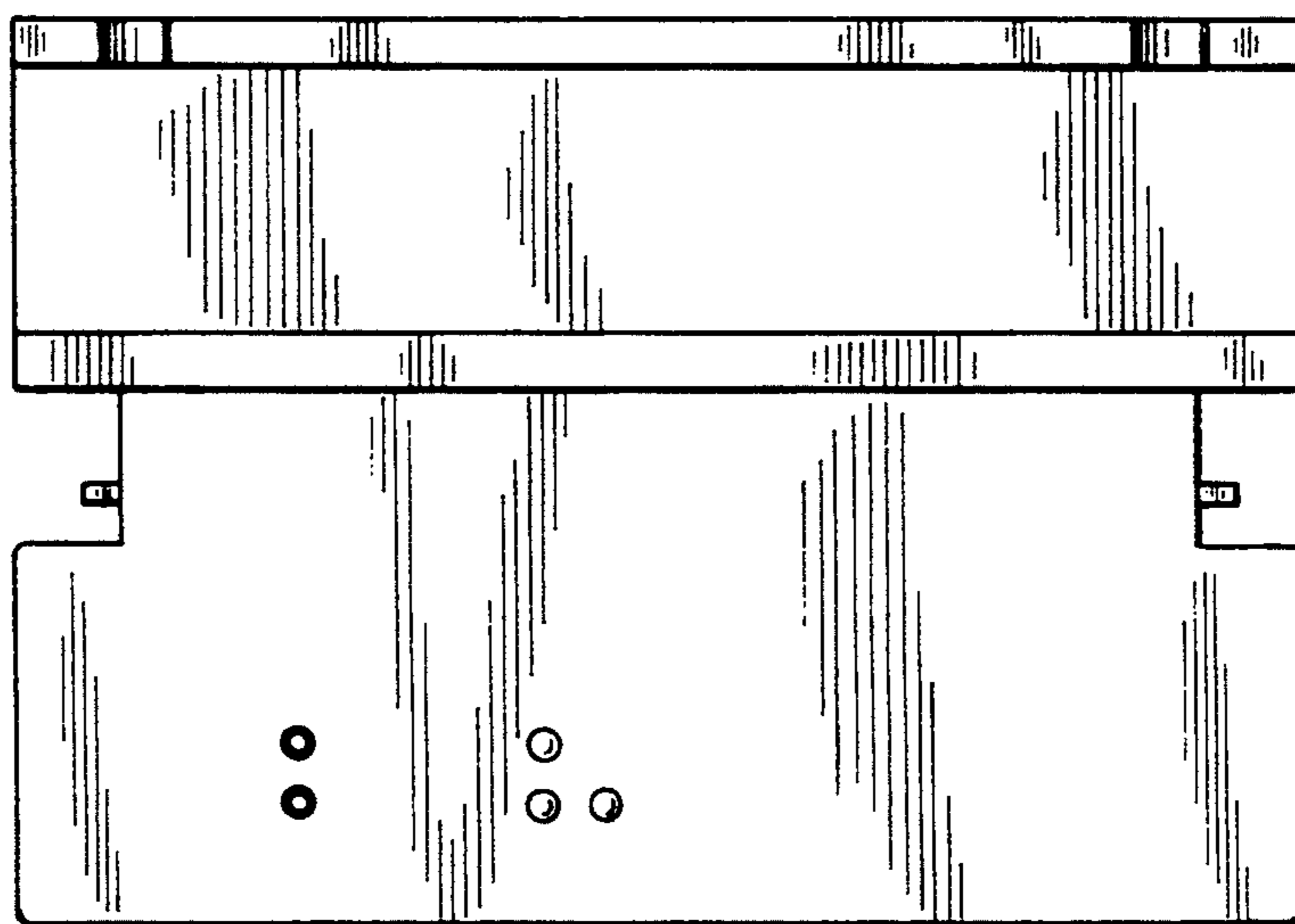


FIG. 4

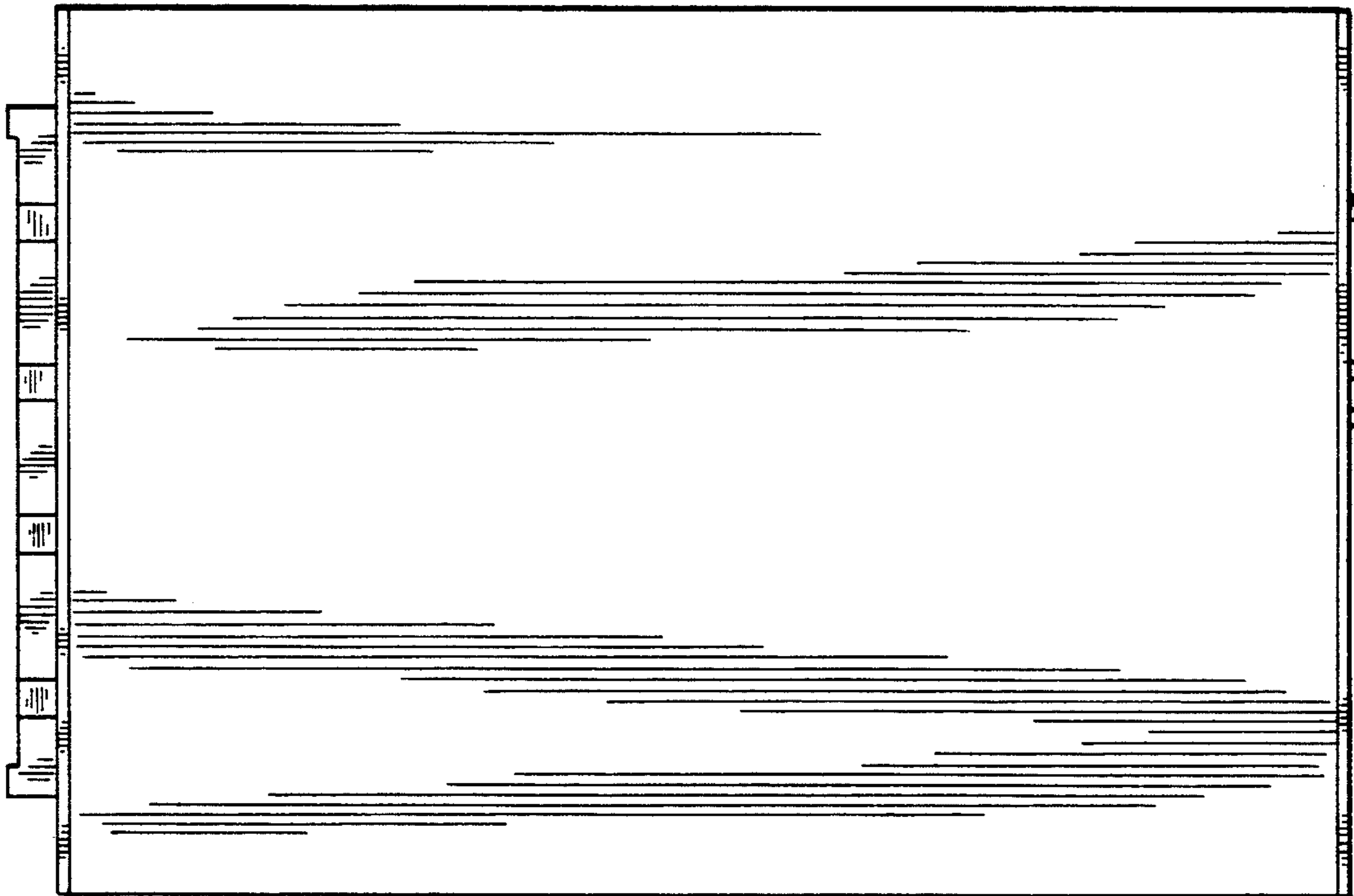


FIG. 5

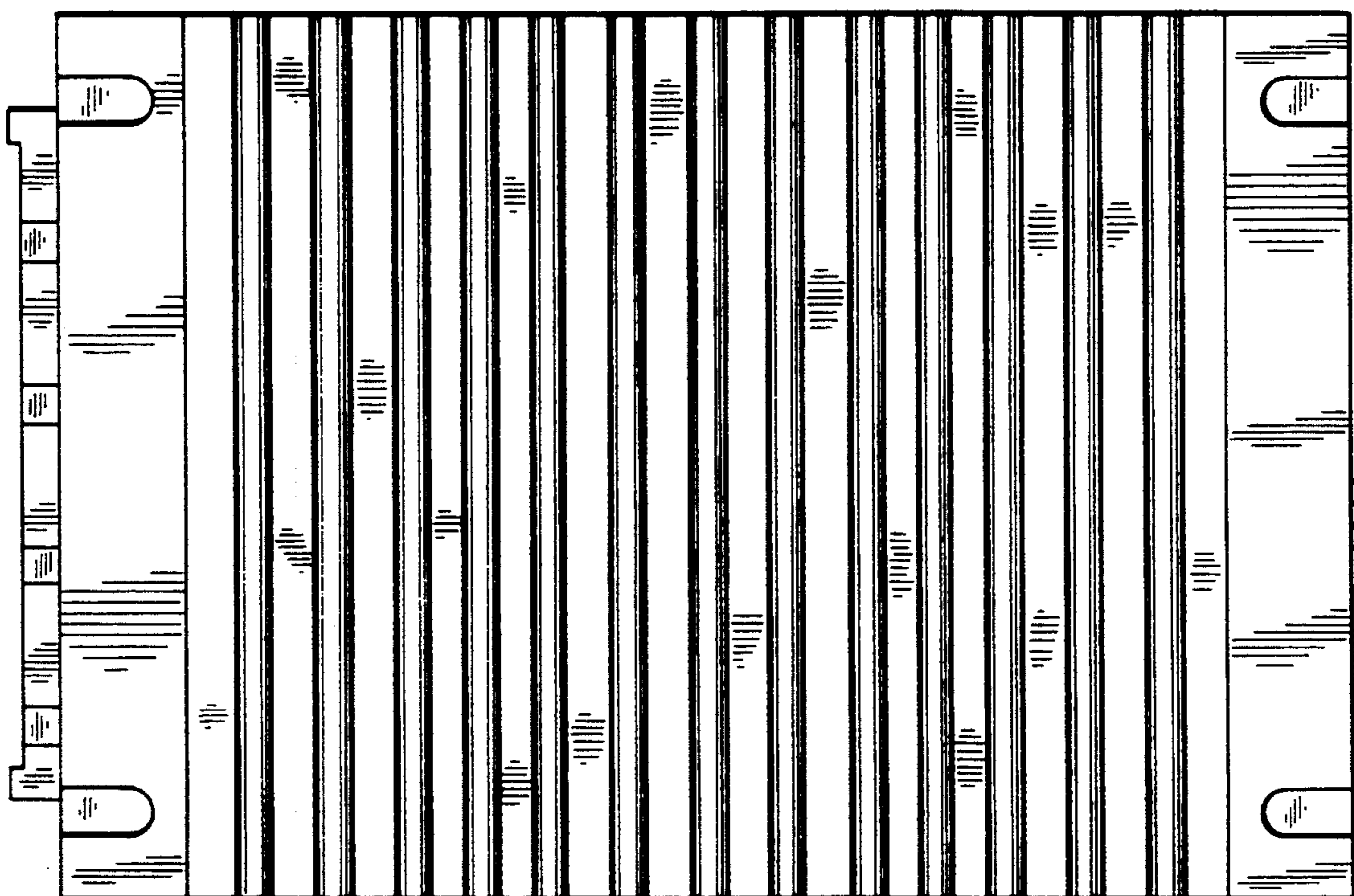


FIG. 6