



US00D351133S

United States Patent [19]

Jungels-Butler et al.

[11] Patent Number: **Des. 351,133**

[45] Date of Patent: **** Oct. 4, 1994**

- [54] **BATTERY CHARGER FOR A PERSONAL WIRELESS COMMUNICATOR**
- [75] Inventors: **Polly S. Jungels-Butler, Gilberts, Ill.; Mark B. Friesen; Daniel K. Harden,** both of Palo Alto, Calif.
- [73] Assignee: **Motorola, Inc., Schaumburg, Ill.**
- [**] Term: **14 Years**
- [21] Appl. No.: **15,100**
- [22] Filed: **Nov. 8, 1993**
- [52] U.S. Cl. **D13/108**
- [58] Field of Search 320/1, 2, 3, 4, 5, 15, 320/21; D13/107, 108, 110

- D. 333,651 3/1993 Itou et al. D13/108
- D. 335,278 5/1993 Wada D13/107
- D. 339,809 9/1993 Ron D13/108 X
- D. 343,381 1/1994 Inukai et al. D13/107

Primary Examiner—Wallace R. Burke
Assistant Examiner—Joel Sincavage
Attorney, Agent, or Firm—Donald B. Southard

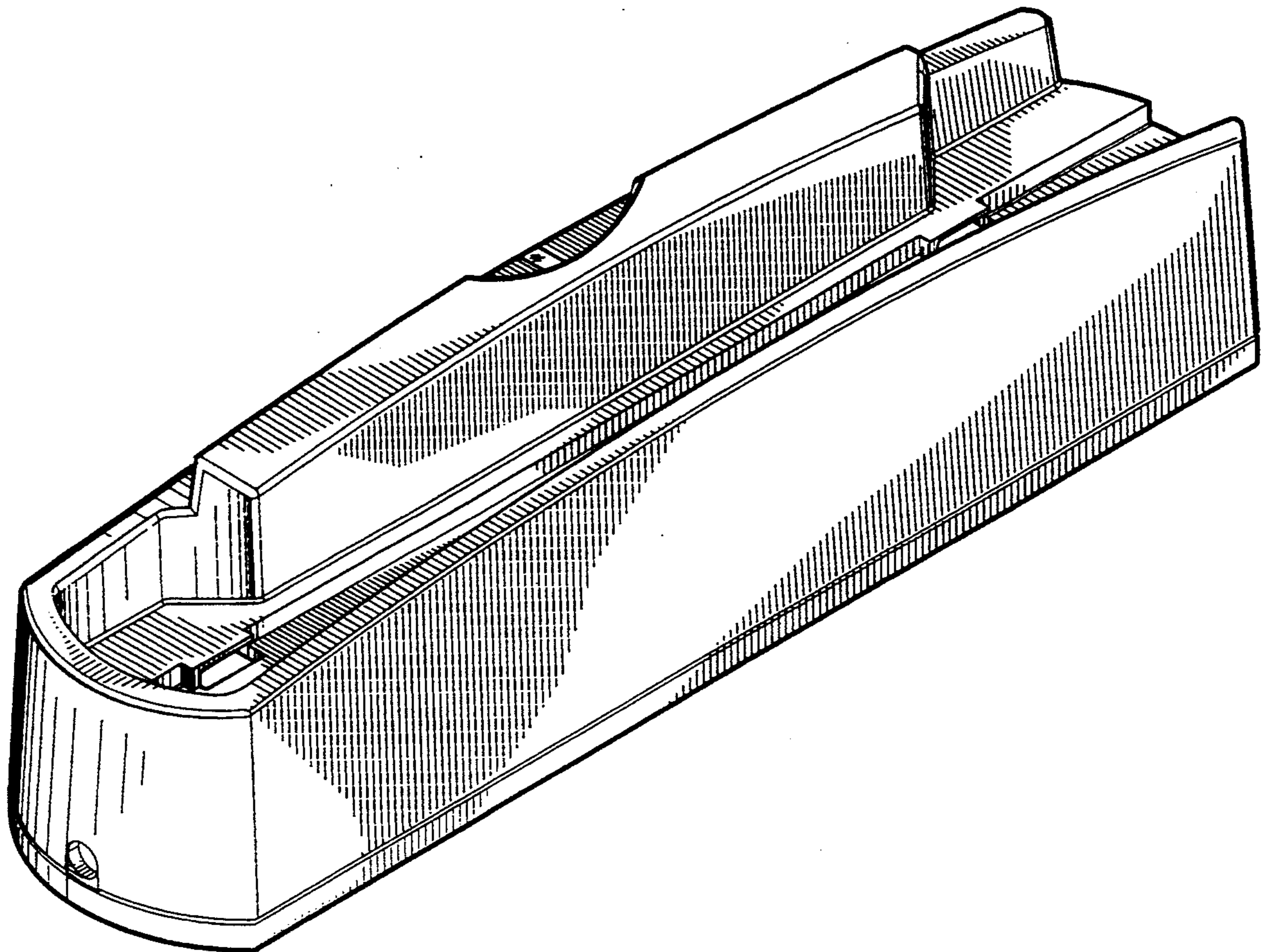
[57] CLAIM

The ornamental design for a battery charger for a personal wireless communicator, as shown and described.

DESCRIPTION

FIG. 1 is a top front, and right side perspective view of battery charger for a personal wireless communicator showing our new design;
 FIG. 2 is a rear view elevational view thereof;
 FIG. 3 is a left side elevational view thereof;
 FIG. 4 is a bottom side elevational view thereof; and,
 FIG. 5 is a top, plan view thereof.

- [56] **References Cited**
- U.S. PATENT DOCUMENTS**
- D. 300,213 3/1989 Tsuji D13/108
- D. 303,245 9/1989 Tsuji D13/108



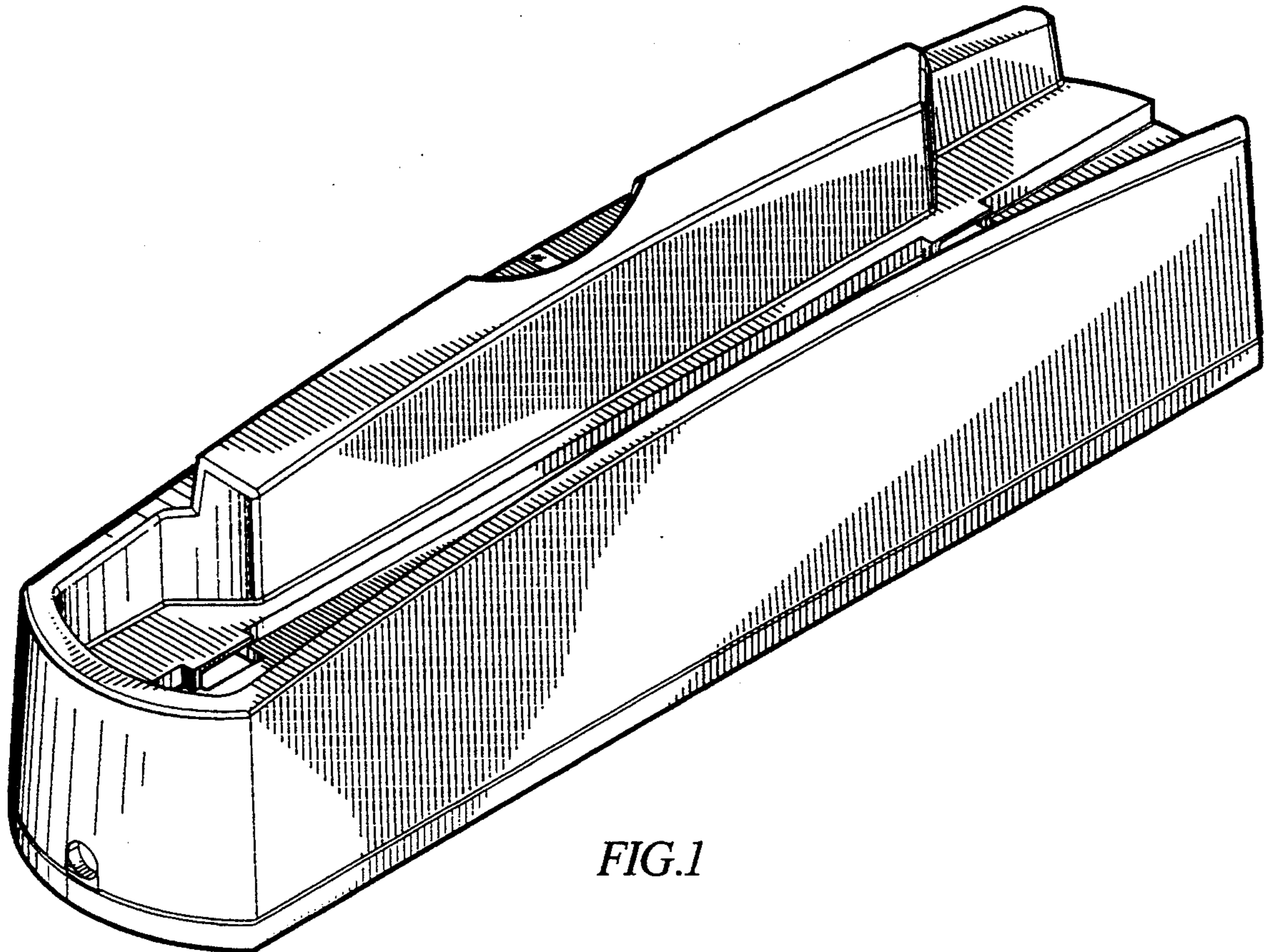


FIG. 1

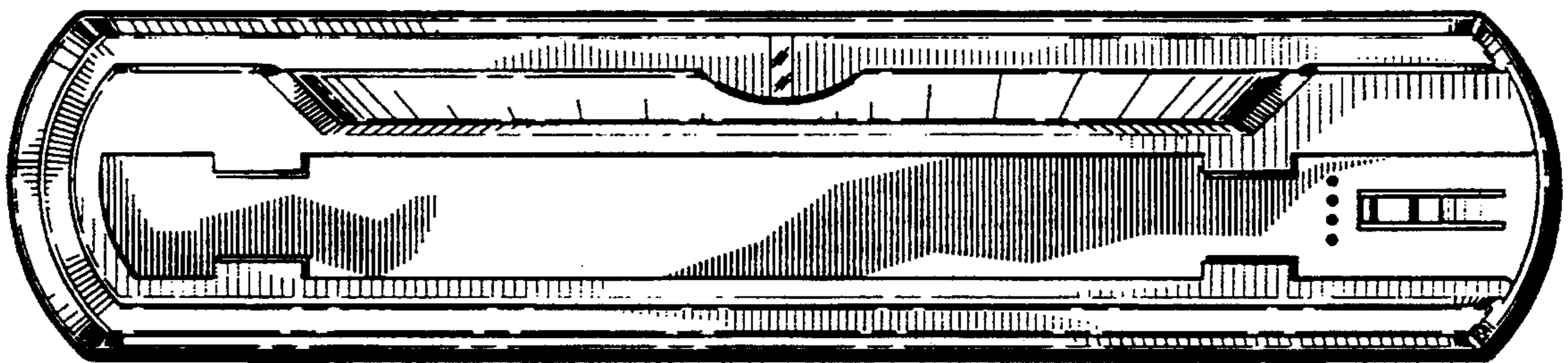


FIG. 5

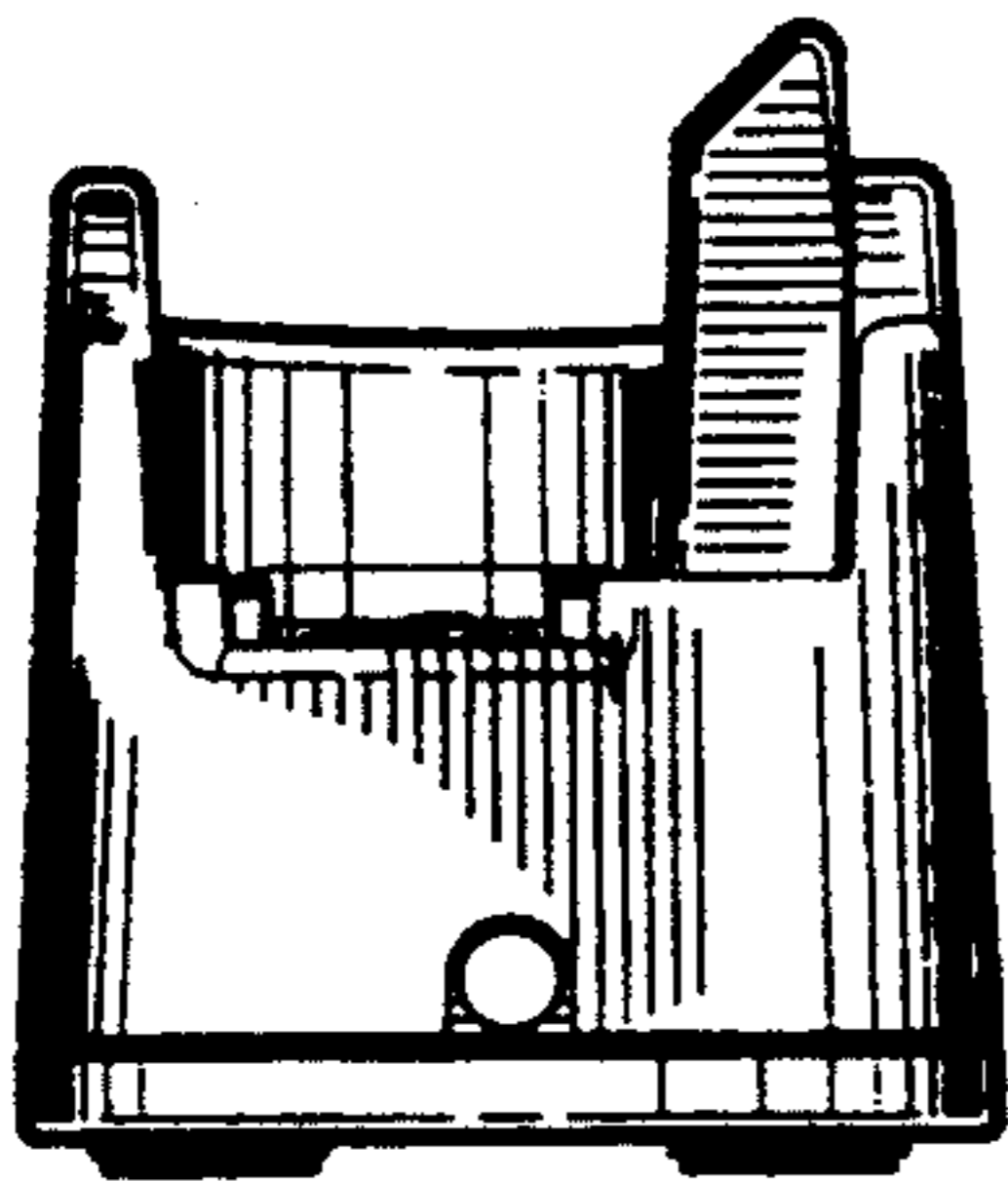


FIG. 2

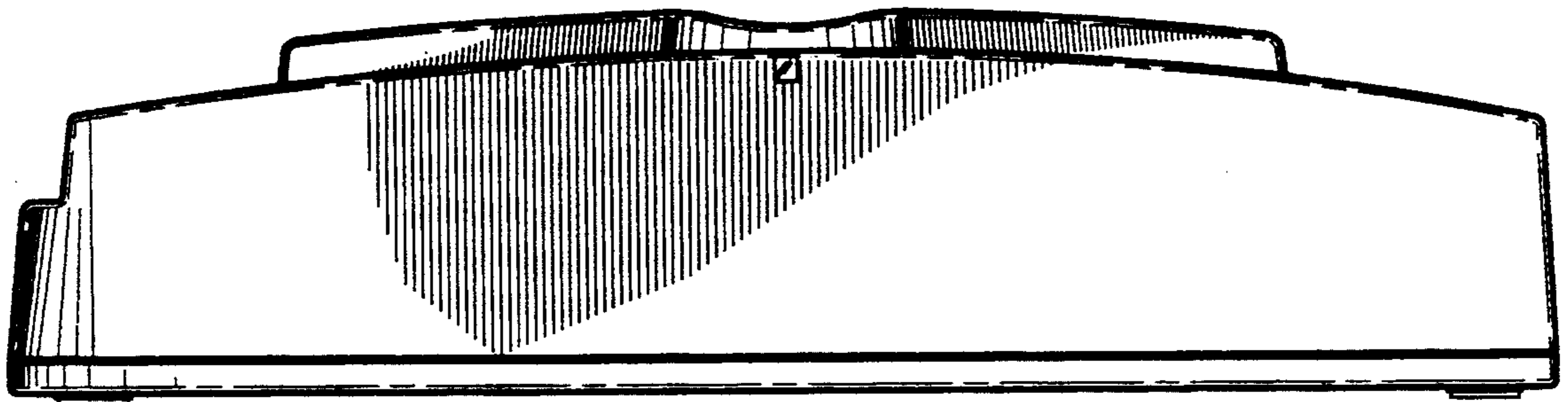


FIG. 3

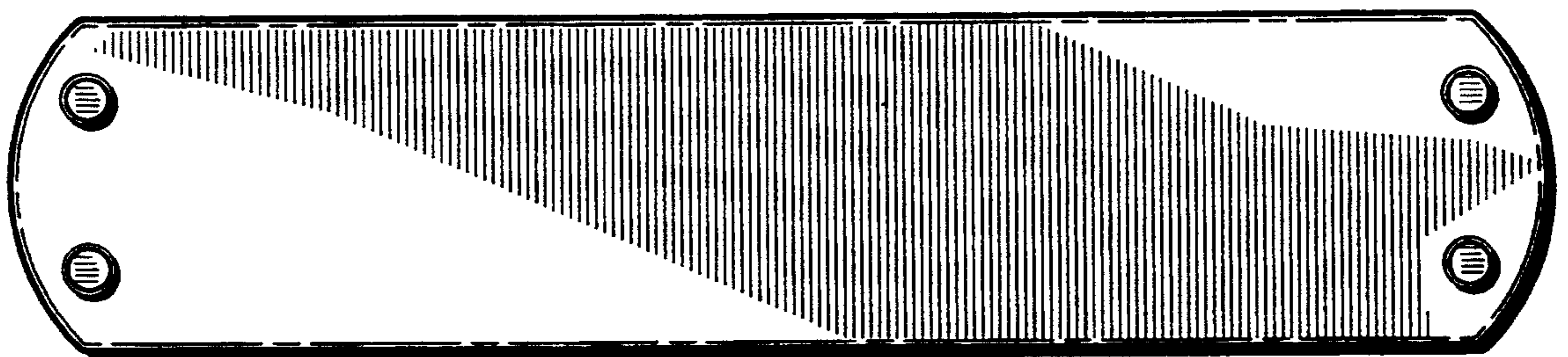


FIG. 4