



US00D351132S

United States Patent [19]

Brooks et al.

[11] Patent Number: **Des. 351,132**

[45] Date of Patent: **** Oct. 4, 1994**

[54] **INTERFACE FOR A PAGER**

[75] Inventors: **Dwight D. Brooks**, Boynton Beach; **Ronald S. Friday**, Jupiter; **Brian V. Conti**, Boynton Beach, all of Fla.

[73] Assignee: **Motorola, Inc.**, Schaumburg, Ill.

[**] Term: **14 Years**

[21] Appl. No.: **1,165**

[22] Filed: **Nov. 5, 1992**

[52] U.S. Cl. **D13/108**

[58] Field of Search 320/2, 3, 4; D13/107, D13/108, 144; D14/114, 217, 218, 240

[56] **References Cited**

U.S. PATENT DOCUMENTS

D. 278,228	4/1985	Liautaud et al.	D13/107
D. 298,136	10/1988	Toth et al.	D14/111
D. 298,230	10/1988	Lay	D13/107
D. 301,456	6/1989	Siddoway	D13/108
4,771,399	9/1988	Snowden et al.	364/900
5,132,877	7/1992	Branan et al.	D13/108 X

OTHER PUBLICATIONS

"Pager Programmer or Similar Article" illustrated in

Motorola Wrist Watch Pager Programming Software & Interface Service Manual, 1991, on pp. 8 & 21.

"Advisor" Motorola Series Message Receiver Programming Software for the Universal Programming System Manual, 1991, p. 25.

"KeyNote Tone and Voice Pager Golay Sequential Coding", 1990, p. 3 top right of the page, Motorola marketing brochure.

Primary Examiner—Wallace R. Burke

Assistant Examiner—Joel Sincavage

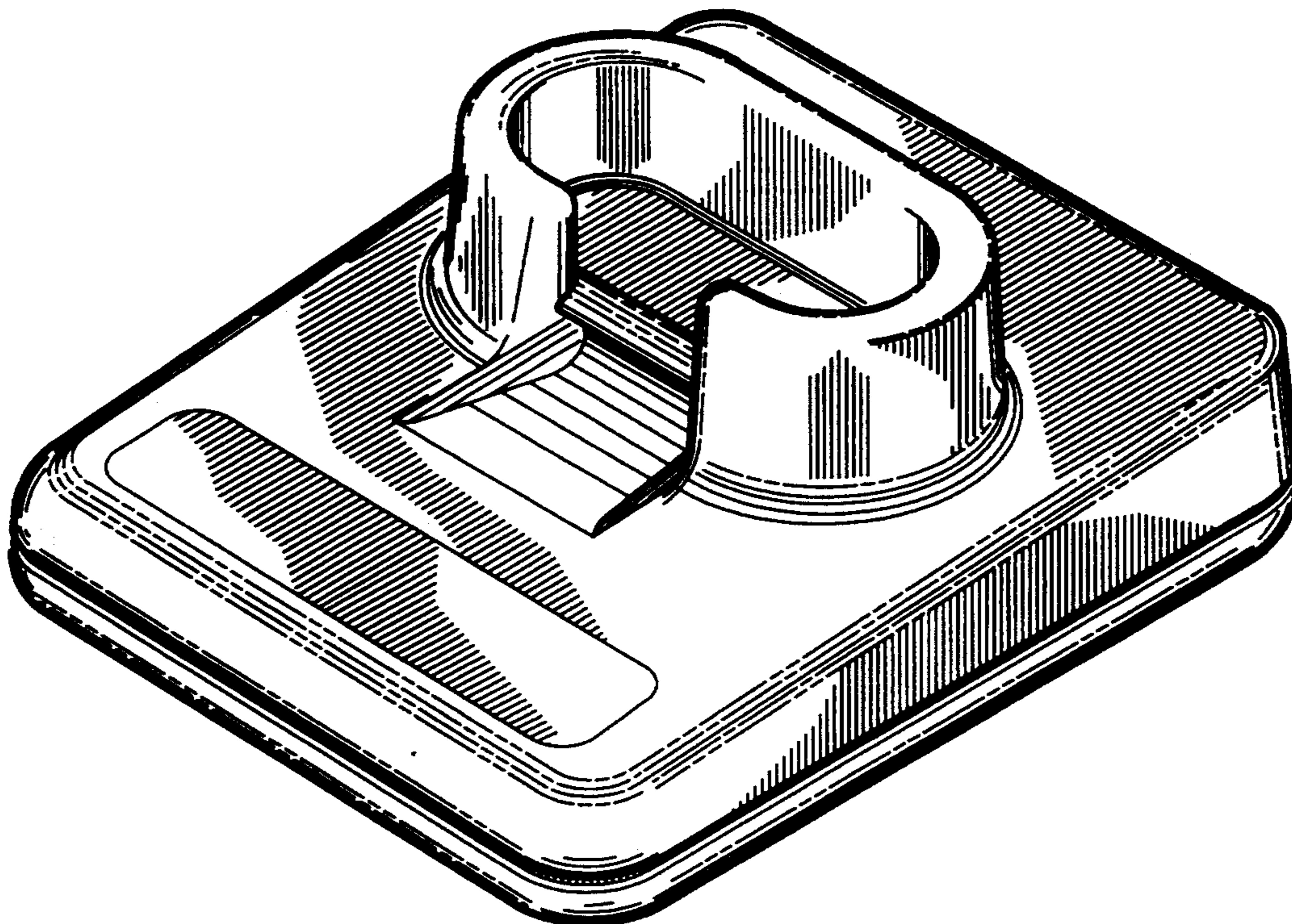
Attorney, Agent, or Firm—Keith A. Chanroo; Thomas G. Berry

[57] **CLAIM**

The ornamental design for an interface for a pager, as shown and described.

DESCRIPTION

FIG. 1 is a front elevation view of an interface for a pager showing our new design; FIG. 2 is a top plan view thereof; FIG. 3 is a right side elevation view thereof; FIG. 4 is a rear elevation view thereof; FIG. 5 is a bottom plan view thereof; FIG. 6 is a left side elevation view thereof; FIG. 7 is a perspective view thereof; and, FIG. 8 is a rear and lower perspective view thereof.



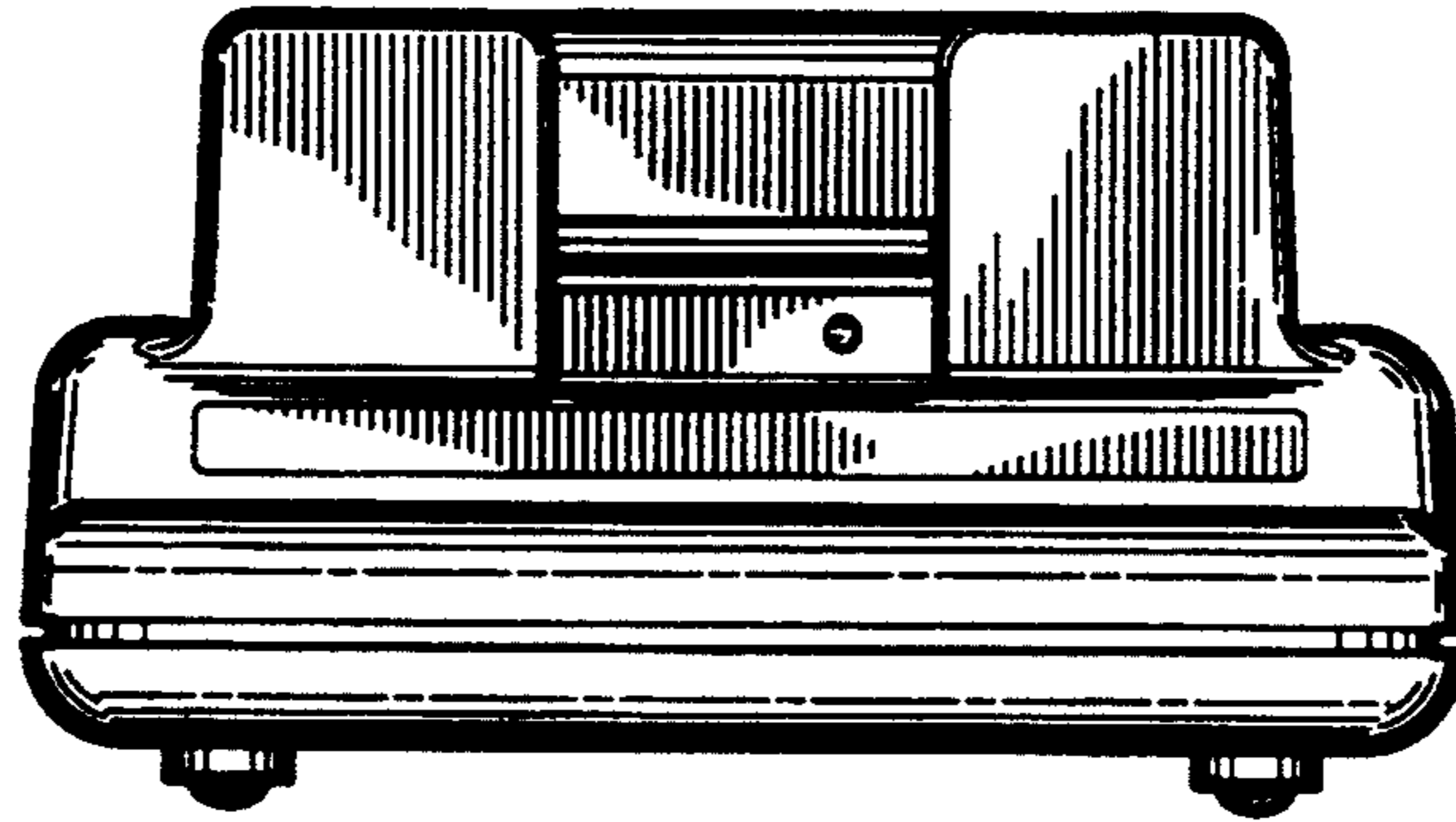


FIG. 1

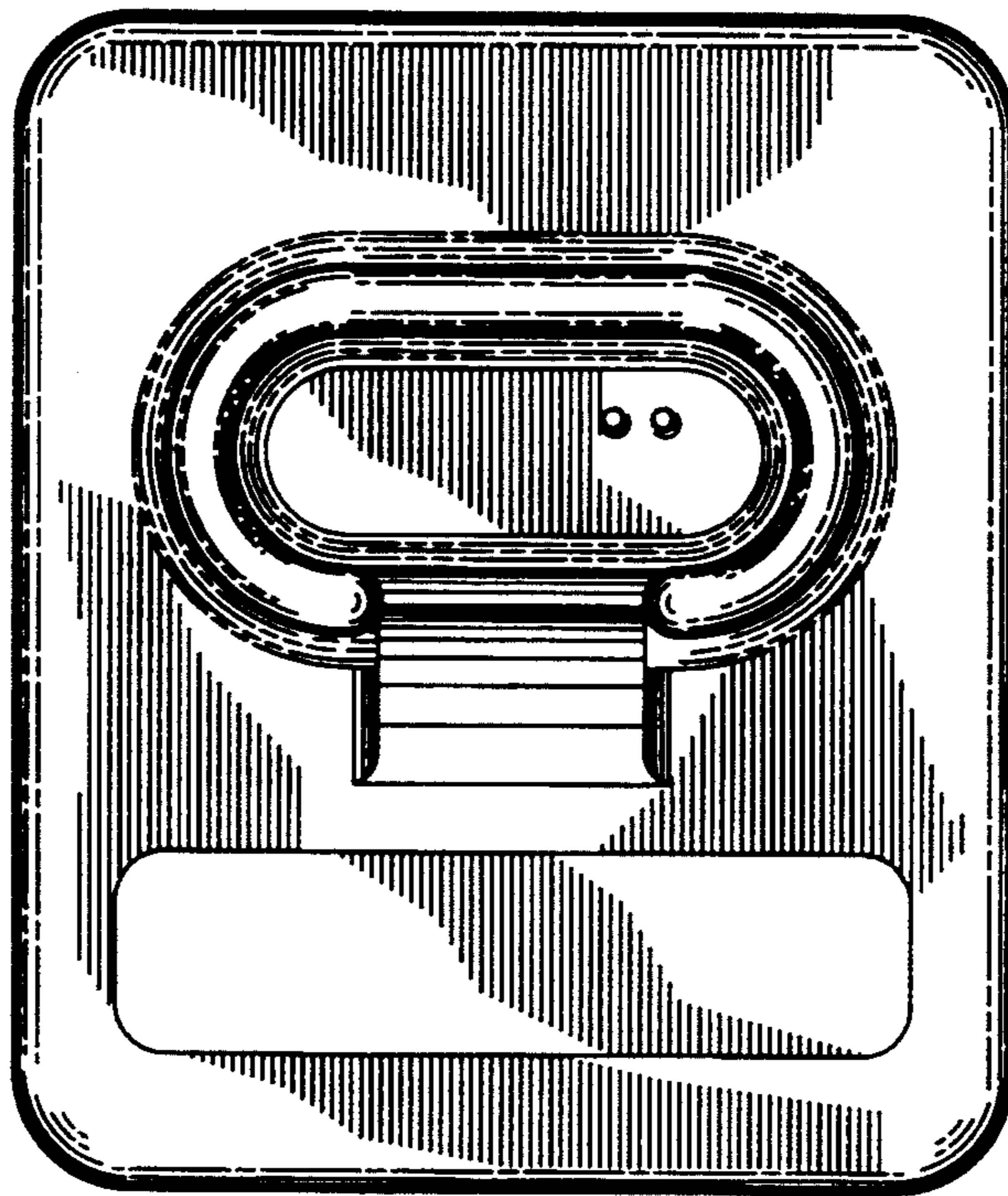


FIG. 2

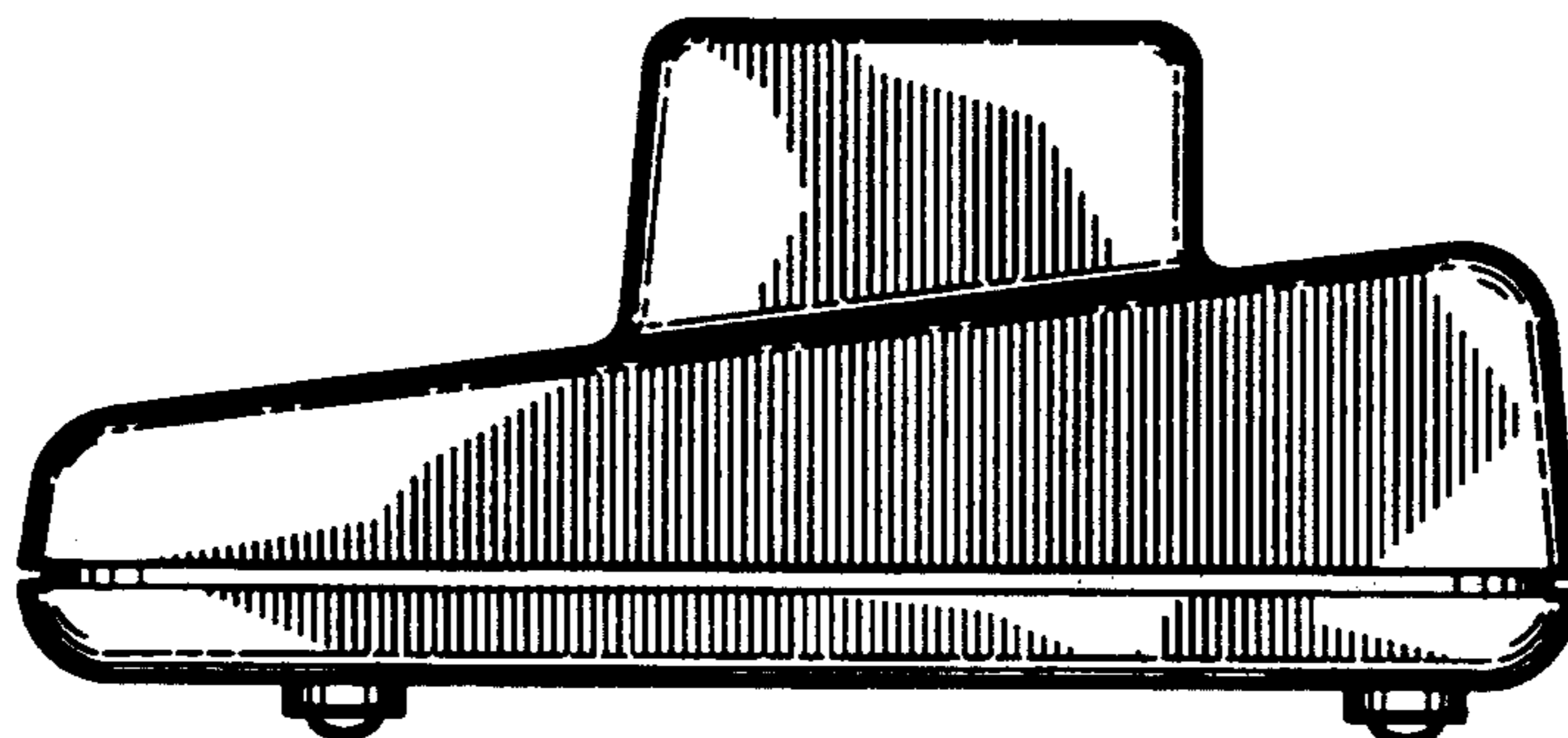


FIG. 3

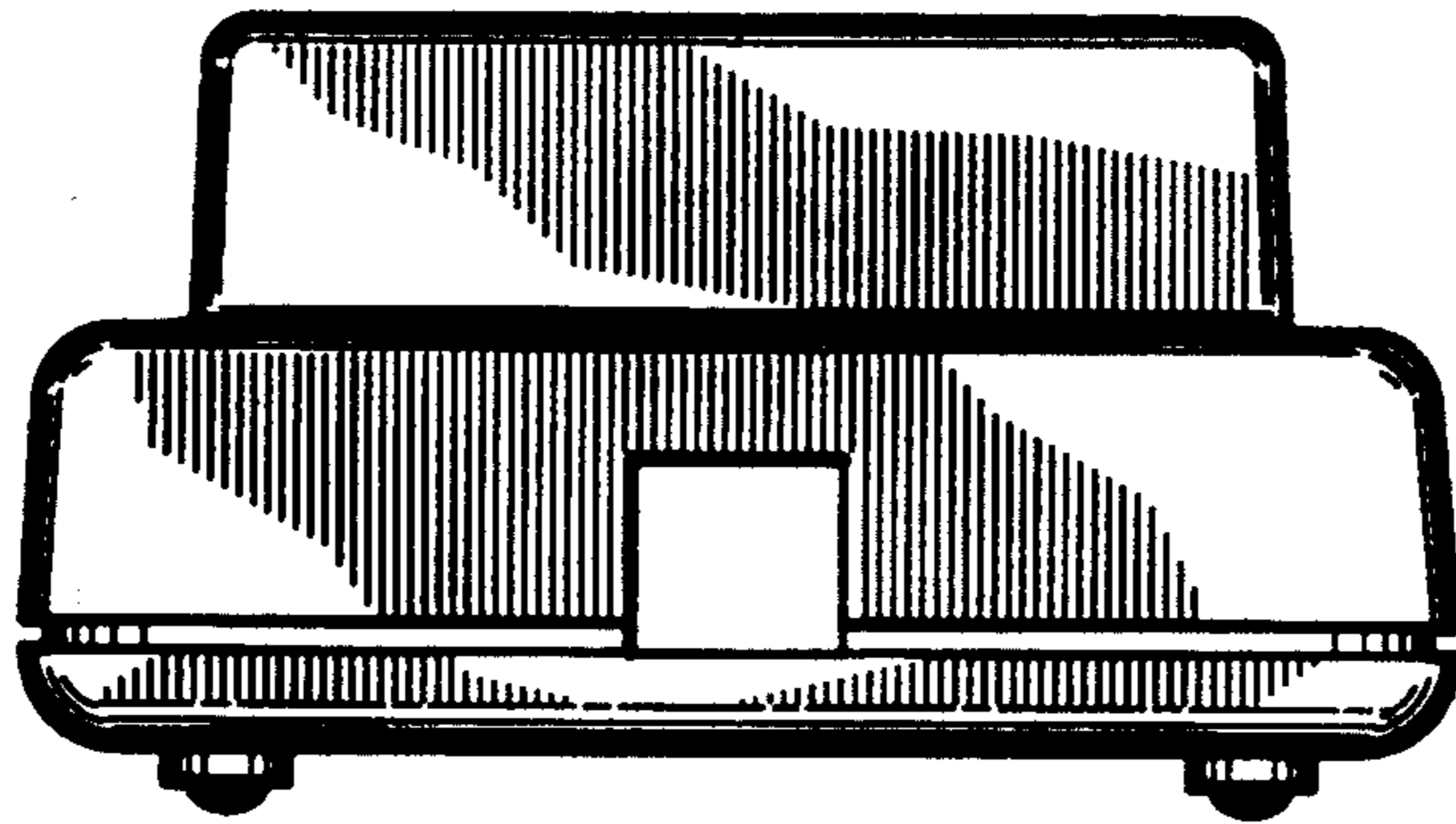


FIG. 4

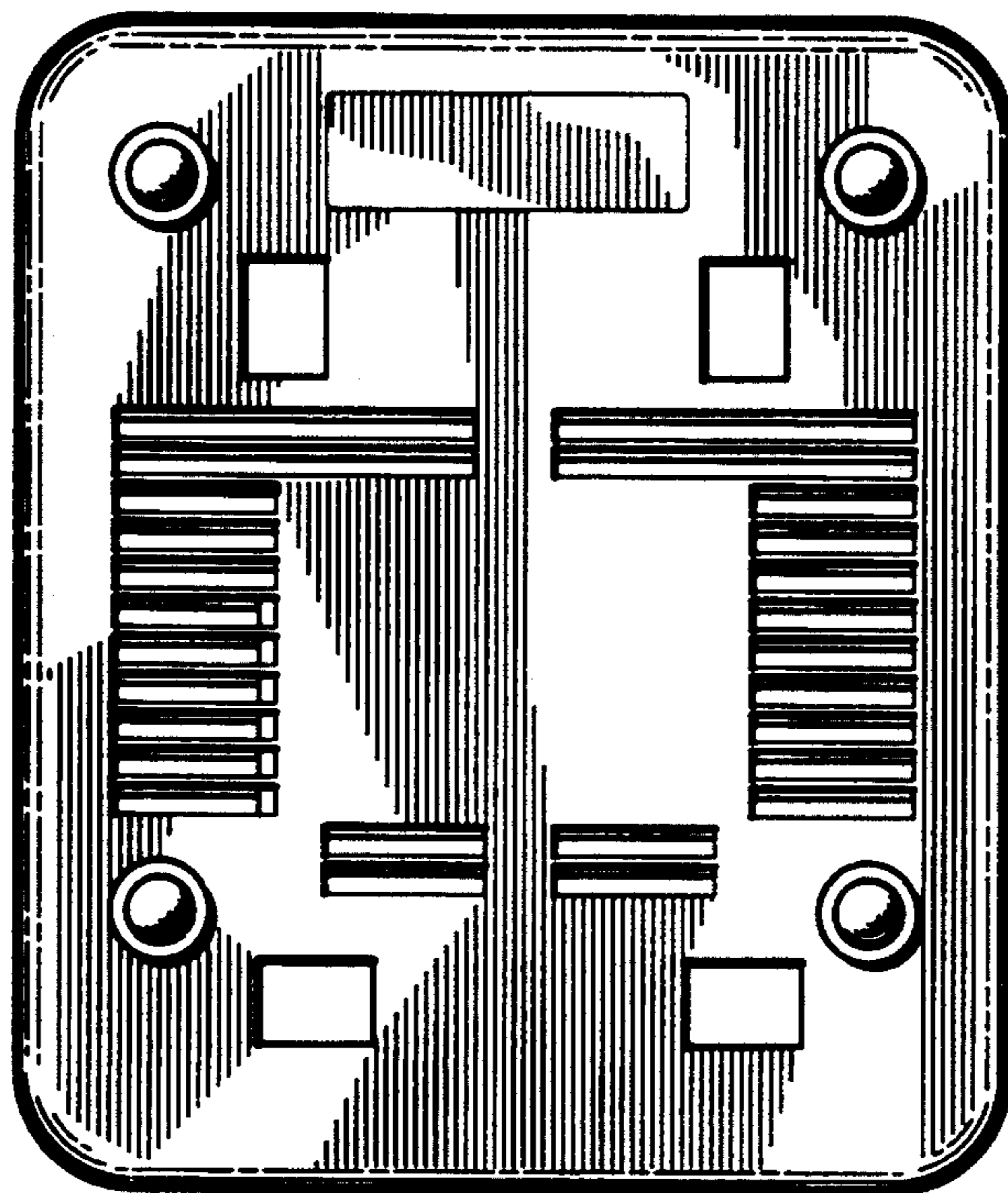


FIG. 5

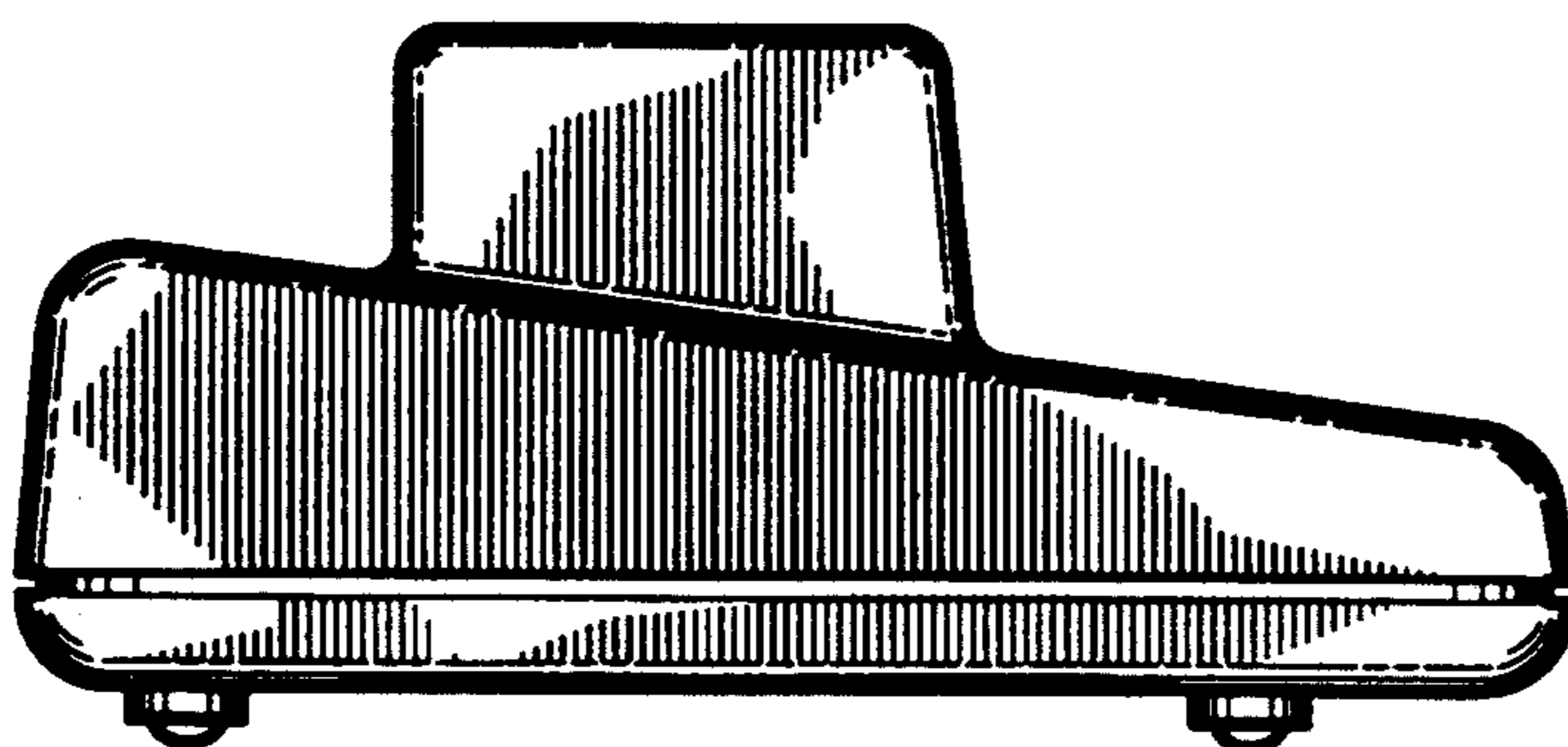


FIG. 6

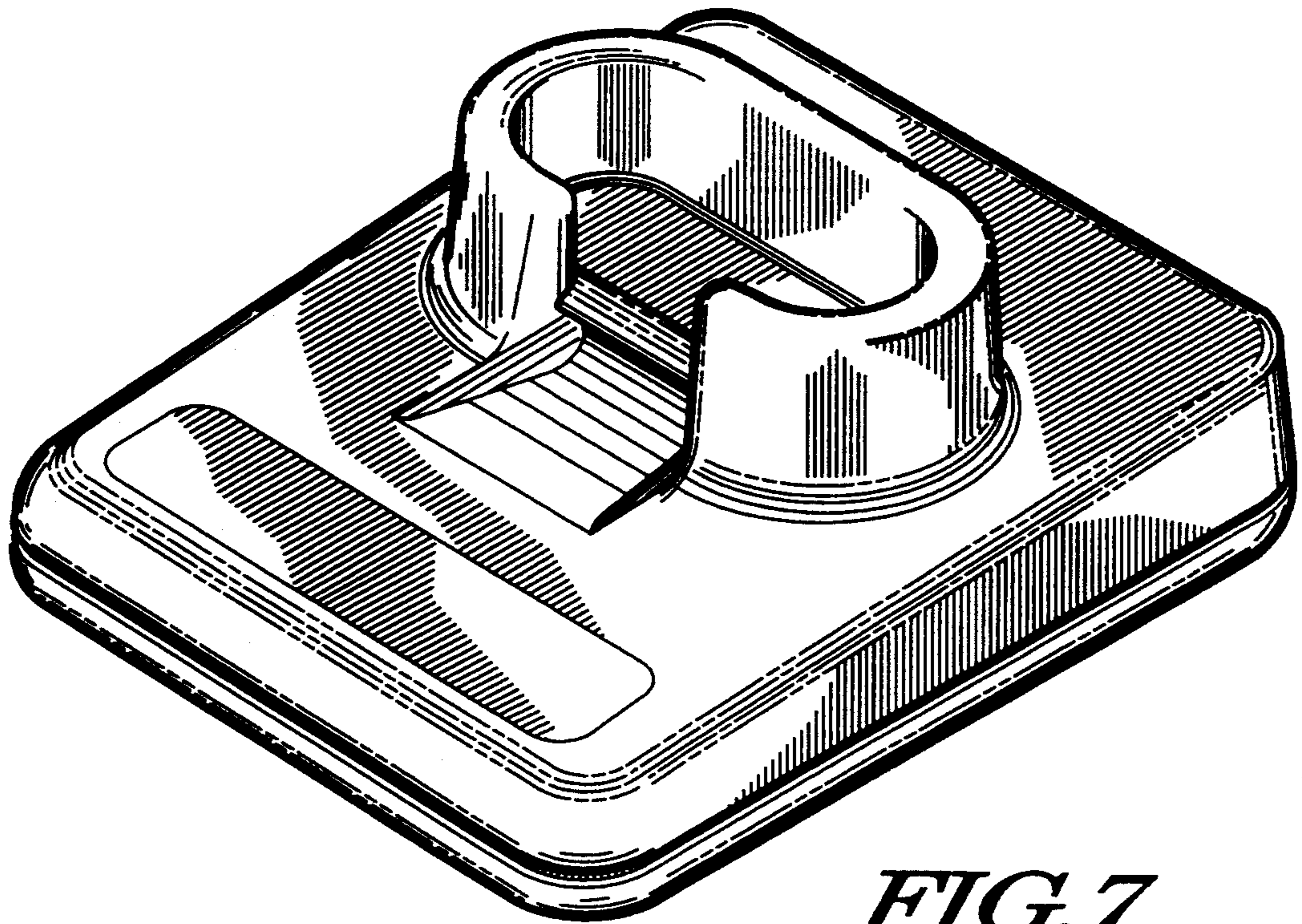


FIG. 7

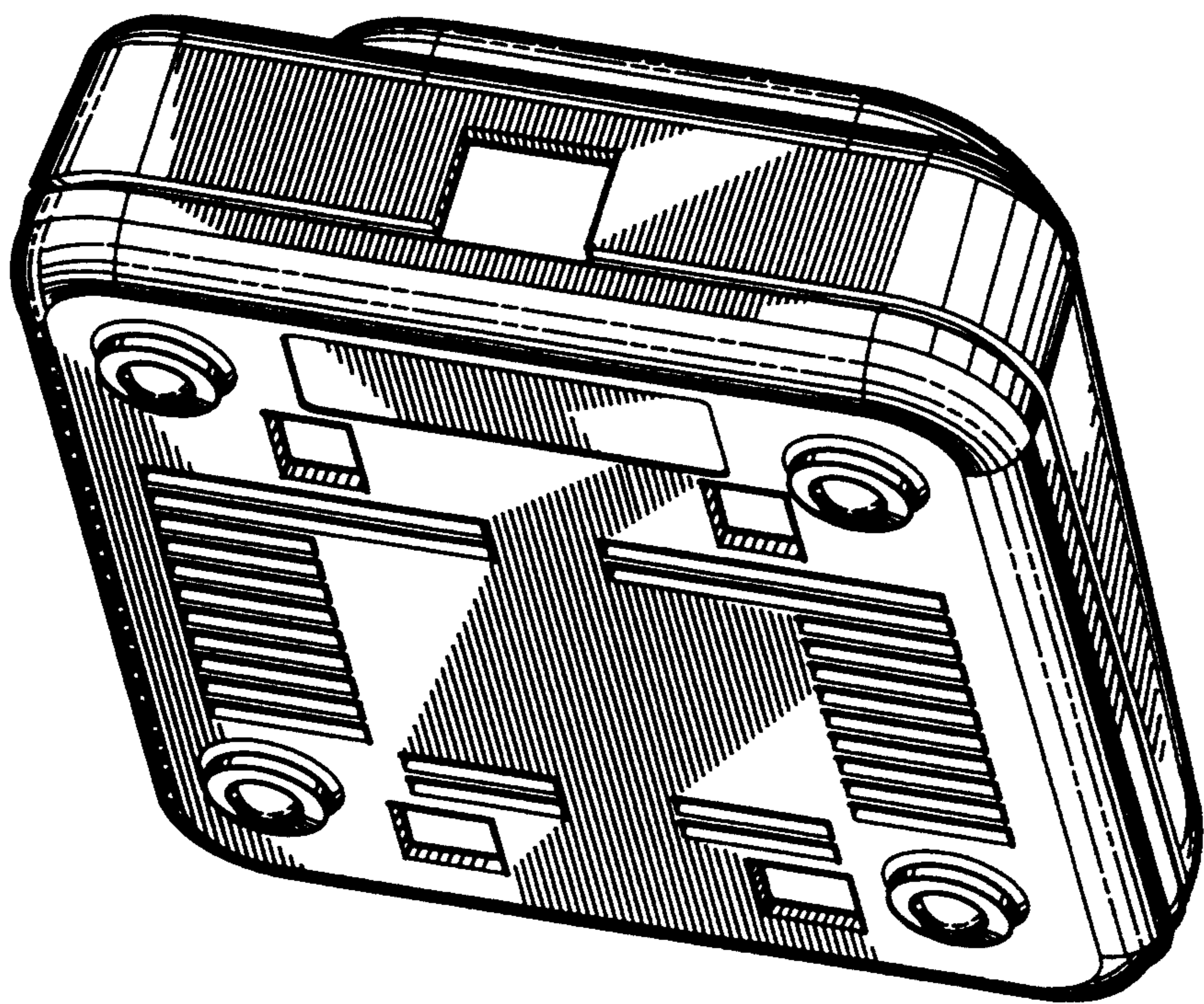


FIG. 8