



US00D351125S

# United States Patent [19] Chen

[11] Patent Number: **Des. 351,125**

[45] Date of Patent: **\*\* Oct. 4, 1994**

[54] **CHILDREN TRICYCLE**

[75] Inventor: **Ting-Hsing Chen, Tainan Hsien, Taiwan**

[73] Assignee: **Far Great Plastics Co., Ltd., Tainan Hsien, Taiwan**

[\*\*] Term: **14 Years**

[21] Appl. No.: **6,646**

[22] Filed: **Apr. 20, 1993**

[52] U.S. Cl. .... **D12/112**

[58] Field of Search ..... 280/282, 259, 267; D12/112, 113

D. 296,774 7/1988 Armstrong ..... D12/112

D. 300,619 4/1989 Phinney et al. .... D12/112

D. 334,157 3/1993 Tonelli ..... D12/113

D. 337,973 8/1993 Mariol ..... D12/112

*Primary Examiner*—Wallace R. Burke  
*Assistant Examiner*—M. Brown  
*Attorney, Agent, or Firm*—Morton J. Rosenberg; David I. Klein

[57] **CLAIM**

The ornamental design for children tricycle, as shown.

**DESCRIPTION**

FIG. 1 is a perspective view of children tricycle showing my present design;  
 FIG. 2 is a front view thereof;  
 FIG. 3 is a rear view thereof;  
 FIG. 4 is a left view thereof;  
 FIG. 5 is a right view thereof;  
 FIG. 6 is a top plan view thereof; and,  
 FIG. 7 is a bottom plan view.

[56] **References Cited**

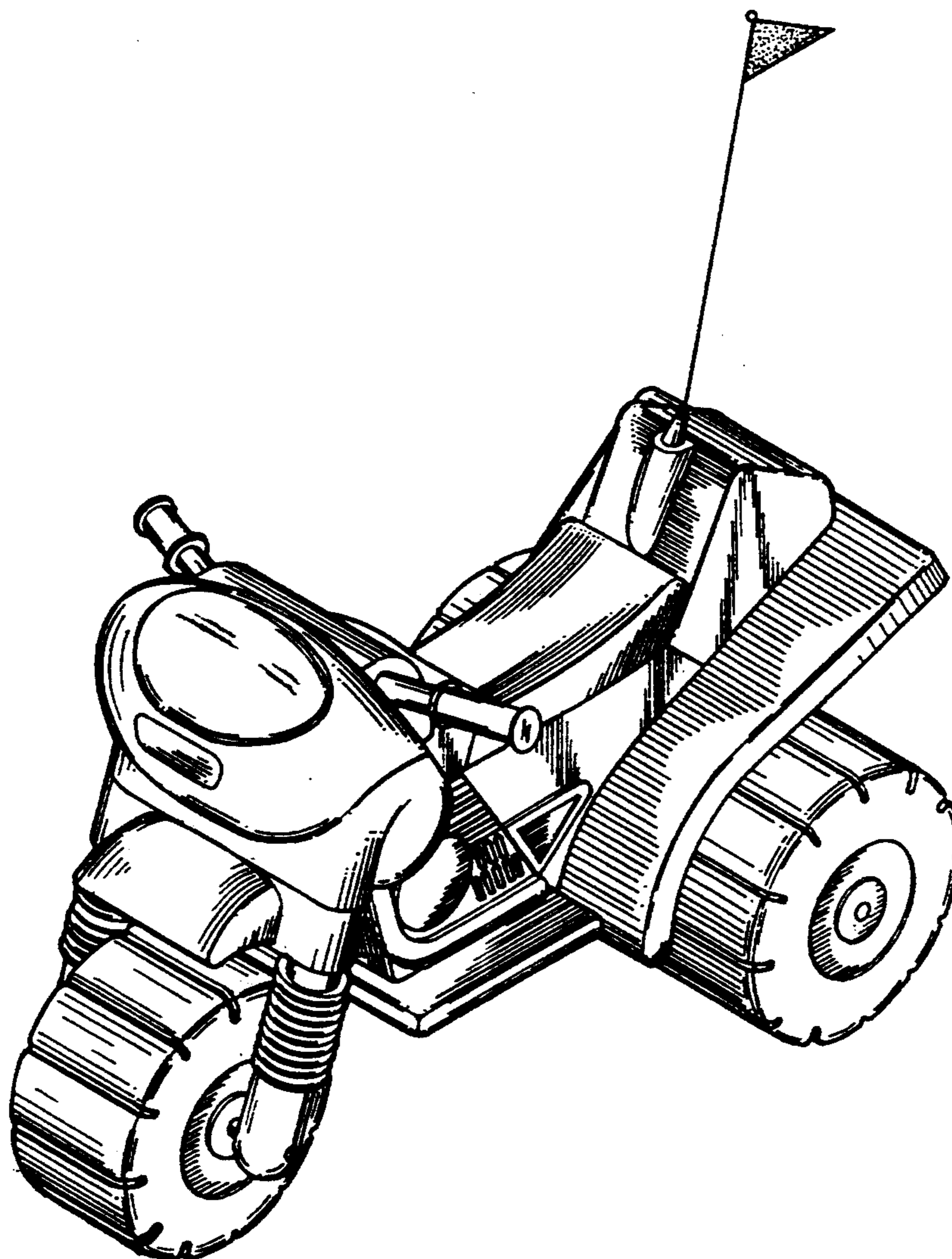
**U.S. PATENT DOCUMENTS**

D. 278,325 4/1985 Nagel ..... D12/112

D. 279,176 6/1985 Kussai ..... D12/112

D. 279,464 7/1985 Kane ..... D12/112

D. 280,087 8/1985 Wing-Fong ..... D12/112



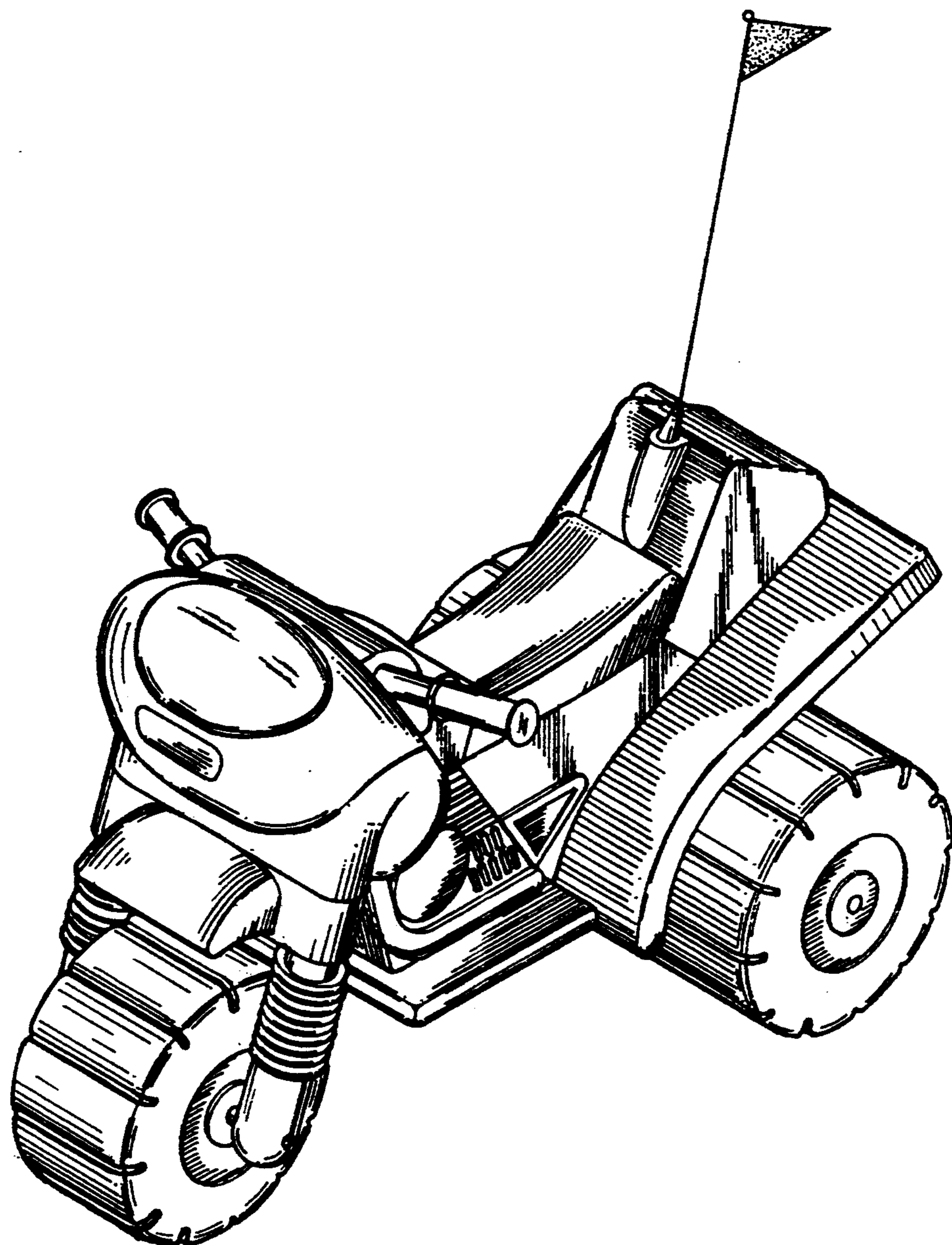


FIG. 1

FIG. 2

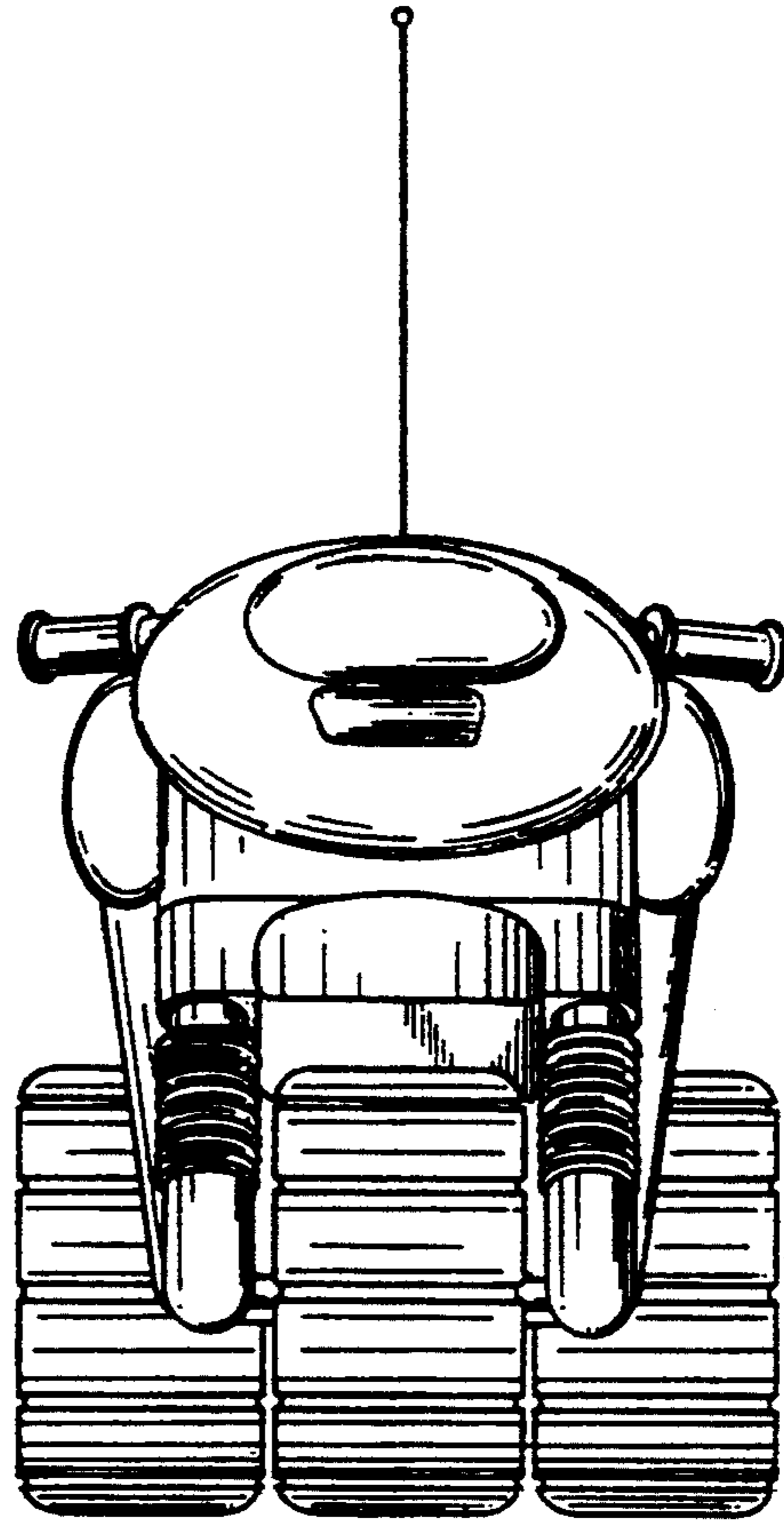
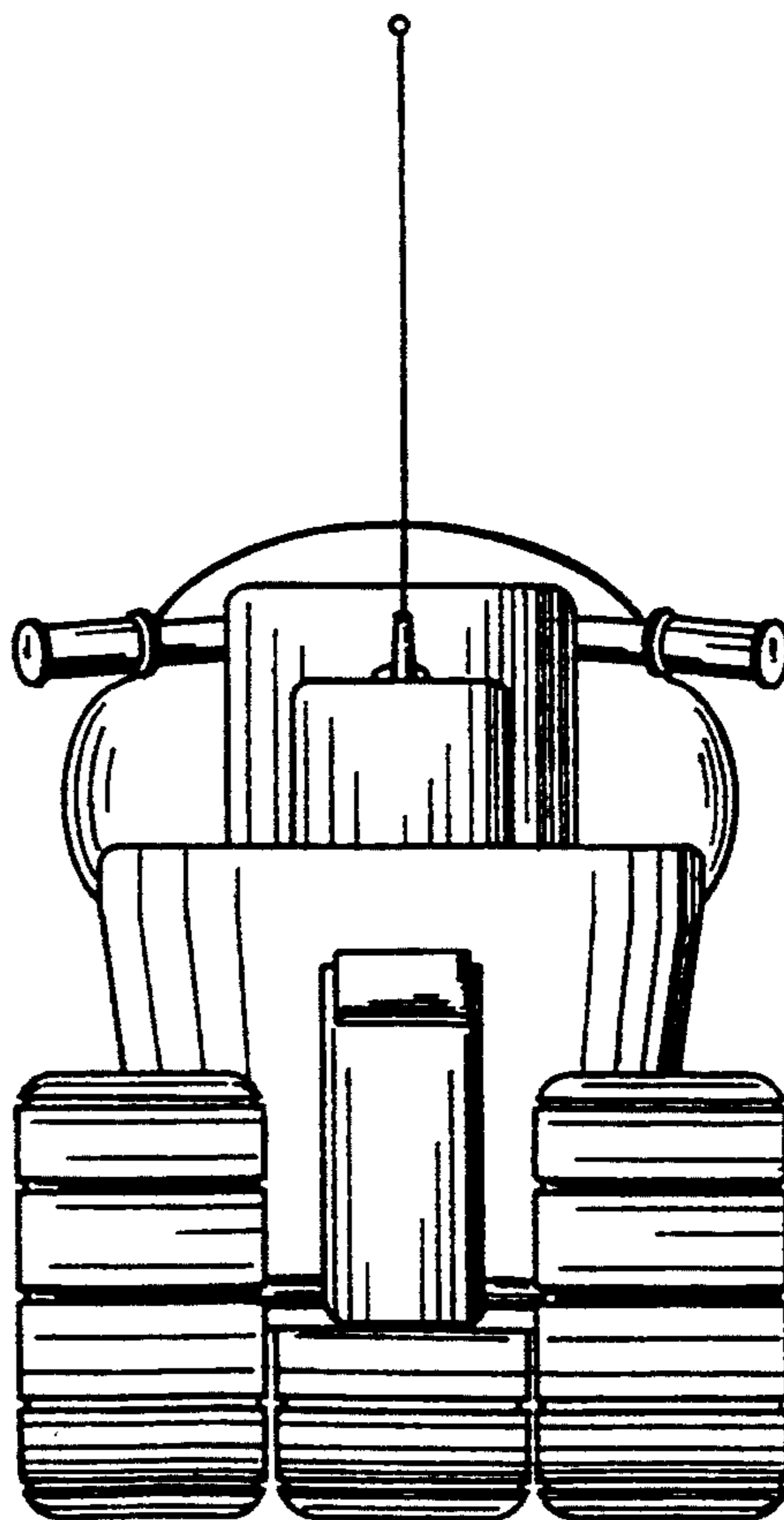
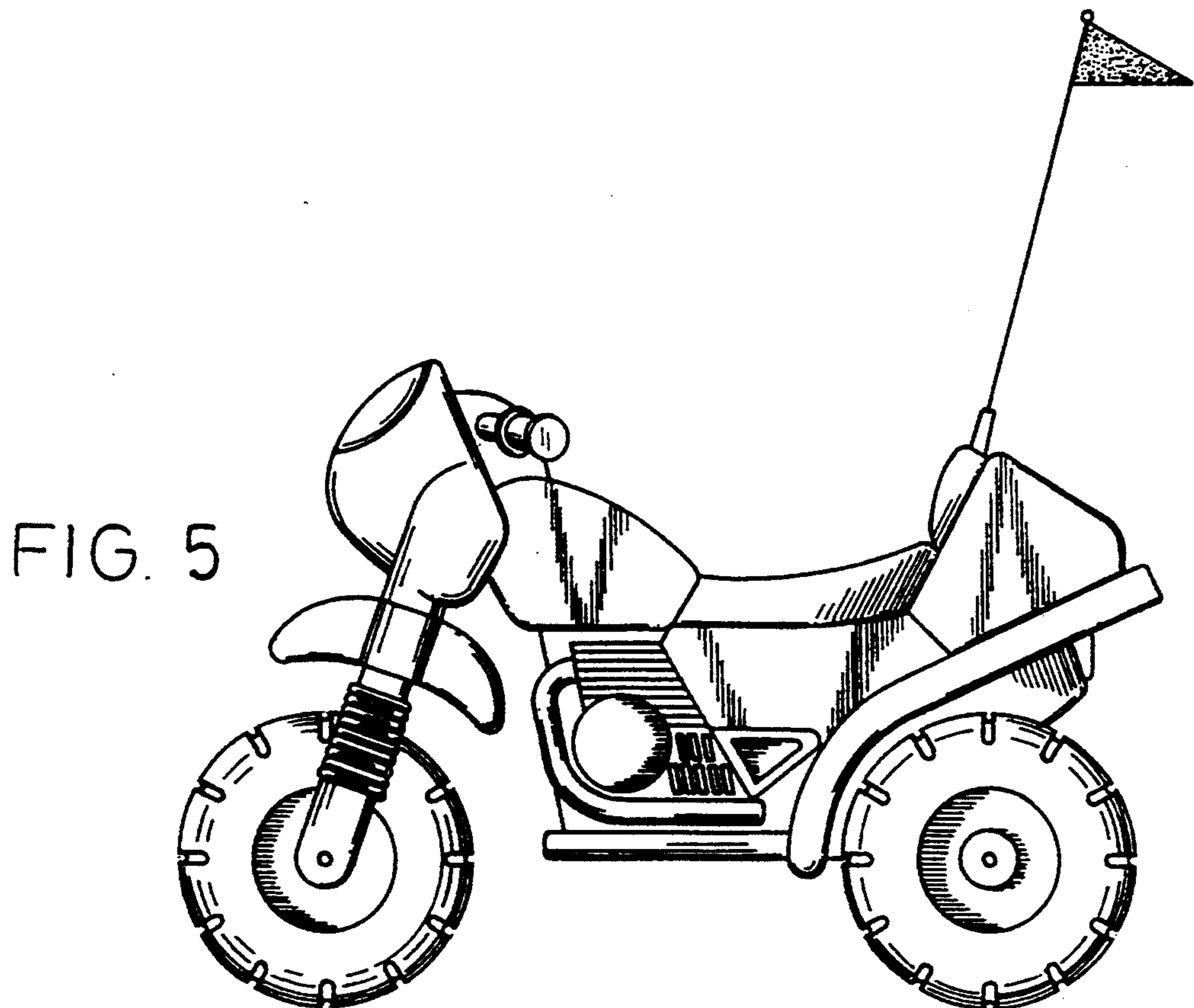
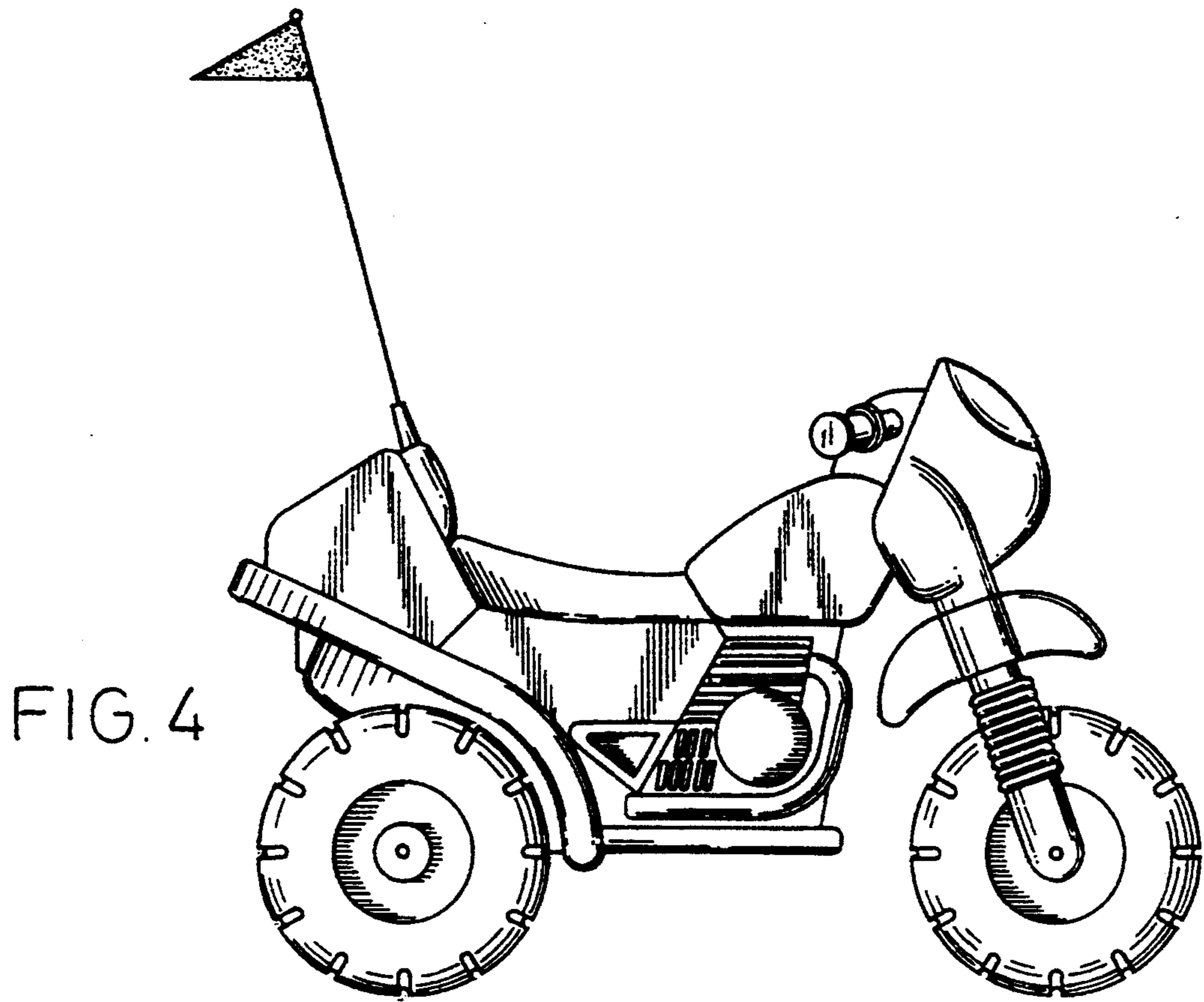


FIG. 3





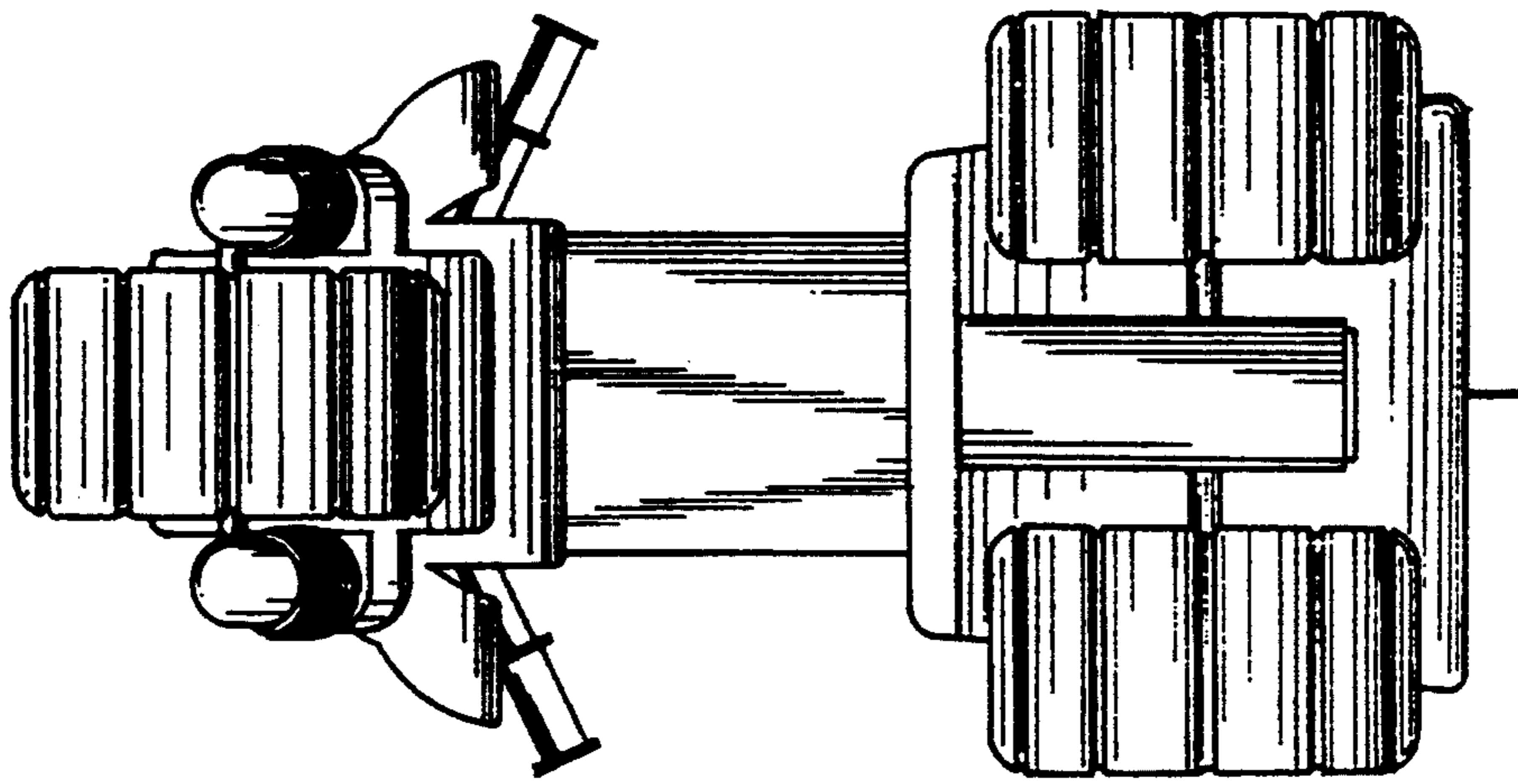


FIG. 7

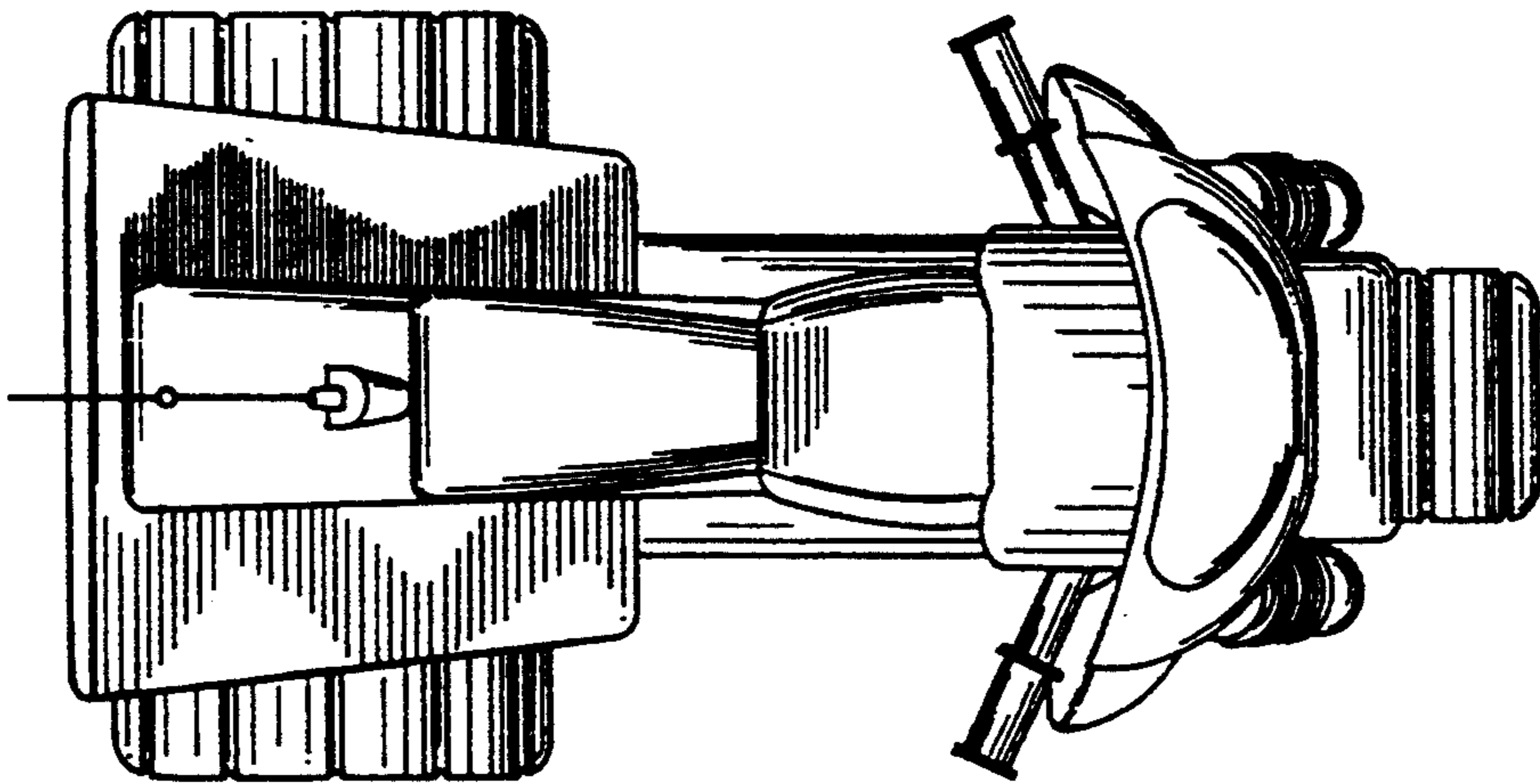


FIG. 6