



US00D351122S

United States Patent [19]

[11] Patent Number: **Des. 351,122**

Janeke

[45] Date of Patent: **** Oct. 4, 1994**

[54] **BUCKLE FOR A HARNESS OF A CLEARING SAW**

[75] Inventor: **Rolf G. Janeke, Huskvarna, Sweden**

[73] Assignee: **Aktiebolaget Electrolux, Sweden**

[**] Term: **14 Years**

[21] Appl. No.: **938,464**

[22] Filed: **Aug. 28, 1992**

[30] **Foreign Application Priority Data**

Mar. 2, 1992 [SE] Sweden 920455

[52] U.S. Cl. **D11/216; D11/200**

[58] Field of Search 24/31 R, 164, 163 R, 24/168, 171, 174, 181, 185; D8/382, 383; D11/200, 215, 216, 218, 231

[56] **References Cited**

U.S. PATENT DOCUMENTS

D. 252,956	9/1979	Frost	D11/200
4,621,393	11/1986	Ambal	24/171
4,679,282	7/1987	Feng	24/171
4,928,364	5/1990	Ikeda	24/171
5,149,189	9/1992	Kawamura	D11/216

Primary Examiner—Ralf T. Seifert
Attorney, Agent, or Firm—Pearne, Gordon, McCoy & Granger

[57] **CLAIM**

The ornamental design for a buckle for a harness of a clearing saw, as shown and described.

DESCRIPTION

FIG. 1 is a perspective view of a buckle for a harness of a clearing saw showing my new design in an assembled position;

FIG. 2 is a front view of the assembled buckle;

FIG. 3 is a rear view of the assembled buckle;

FIG. 4 is a partial rear view of the main part of the buckle, a portion of the buckle being omitted for ease of illustration;

FIG. 5 is a right side view of FIG. 4;

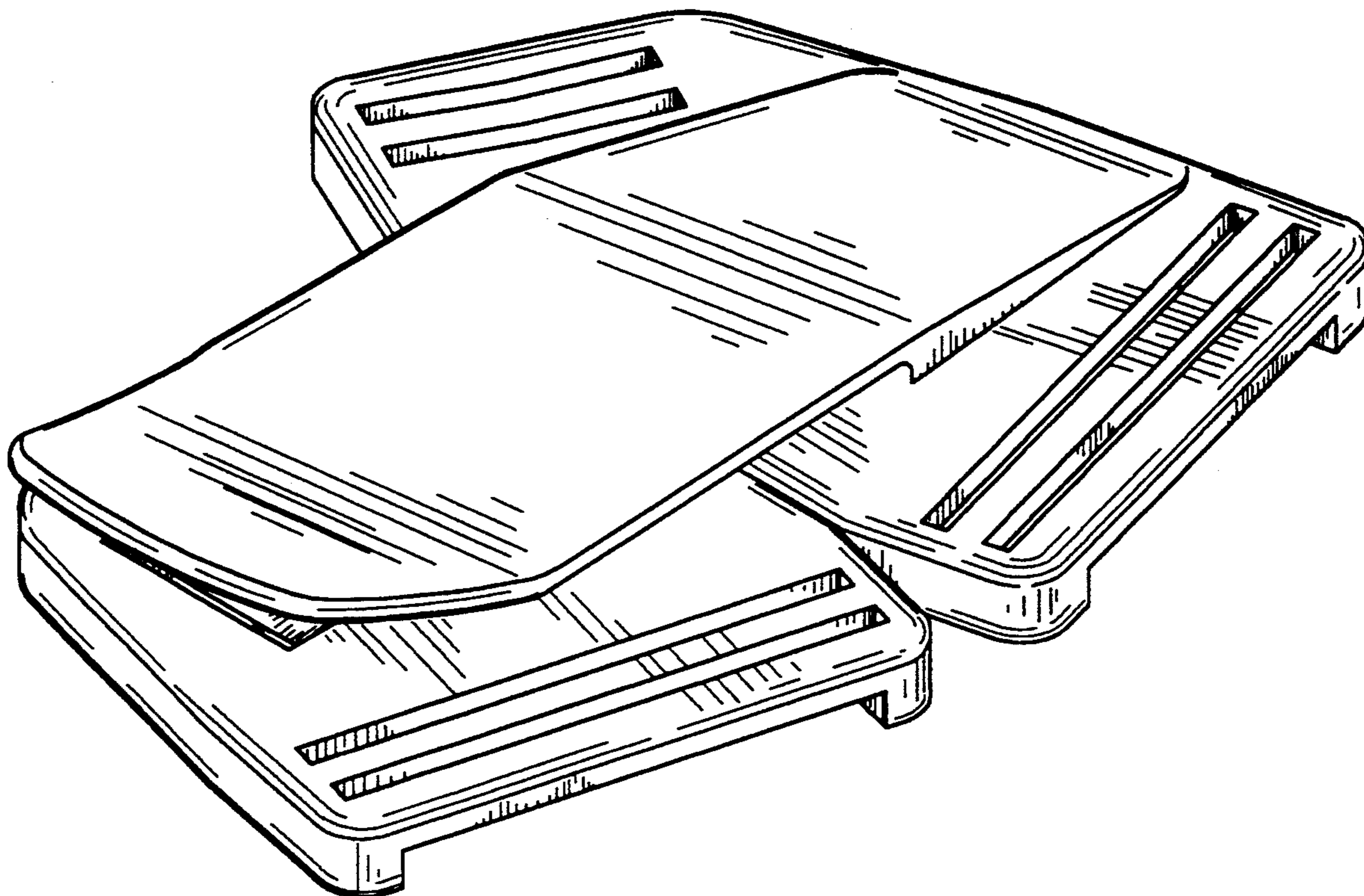
FIG. 6 is a left side view of FIG. 4;

FIG. 7 is a front view of the connecting element, the main portion showing FIG. 3 being omitted for ease of illustration;

FIG. 8 is a rear view of FIG. 7;

FIG. 9 is a right side view of FIG. 7; and,

FIG. 10 is a left side view of FIG. 7.



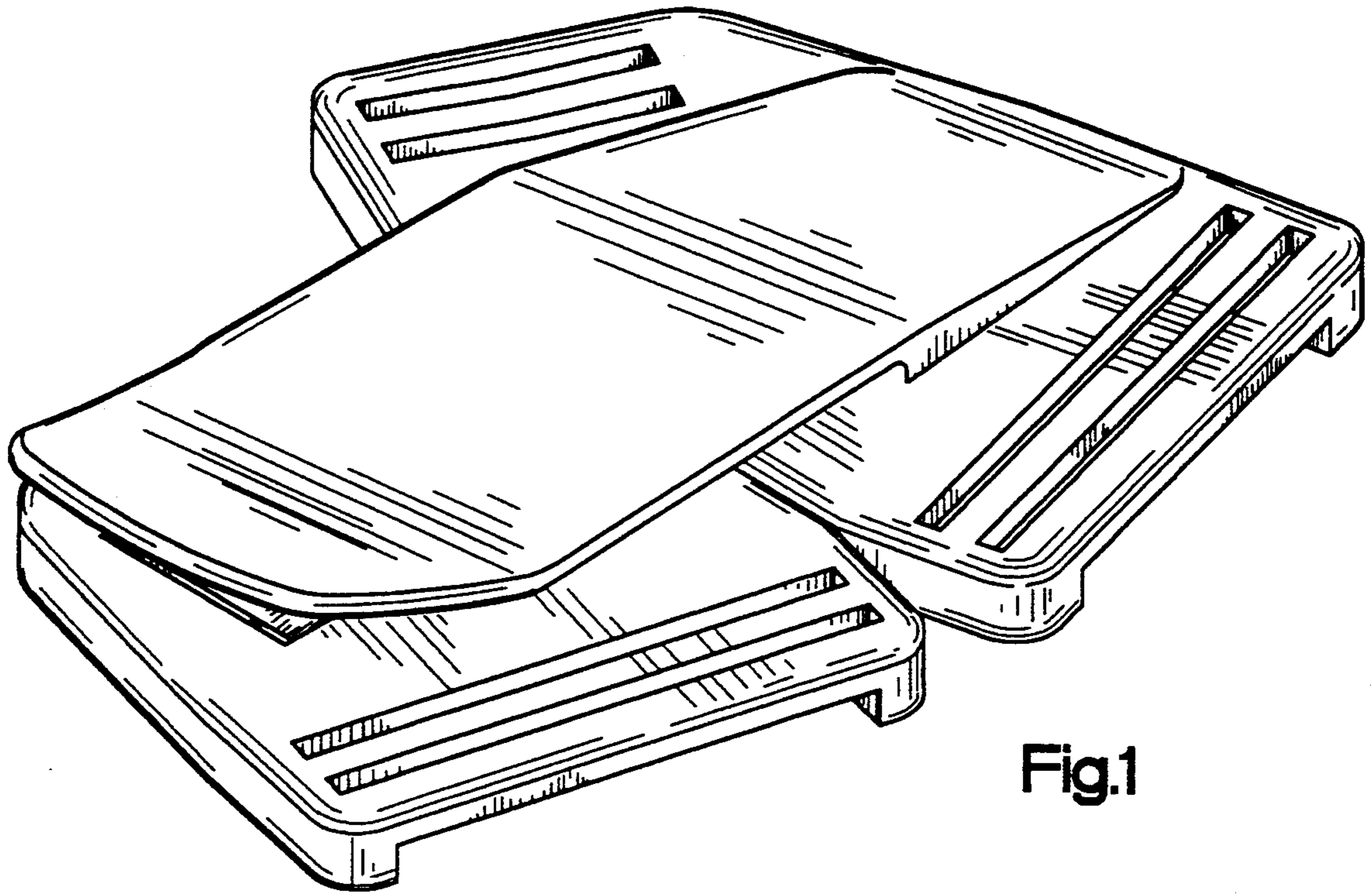


Fig.1

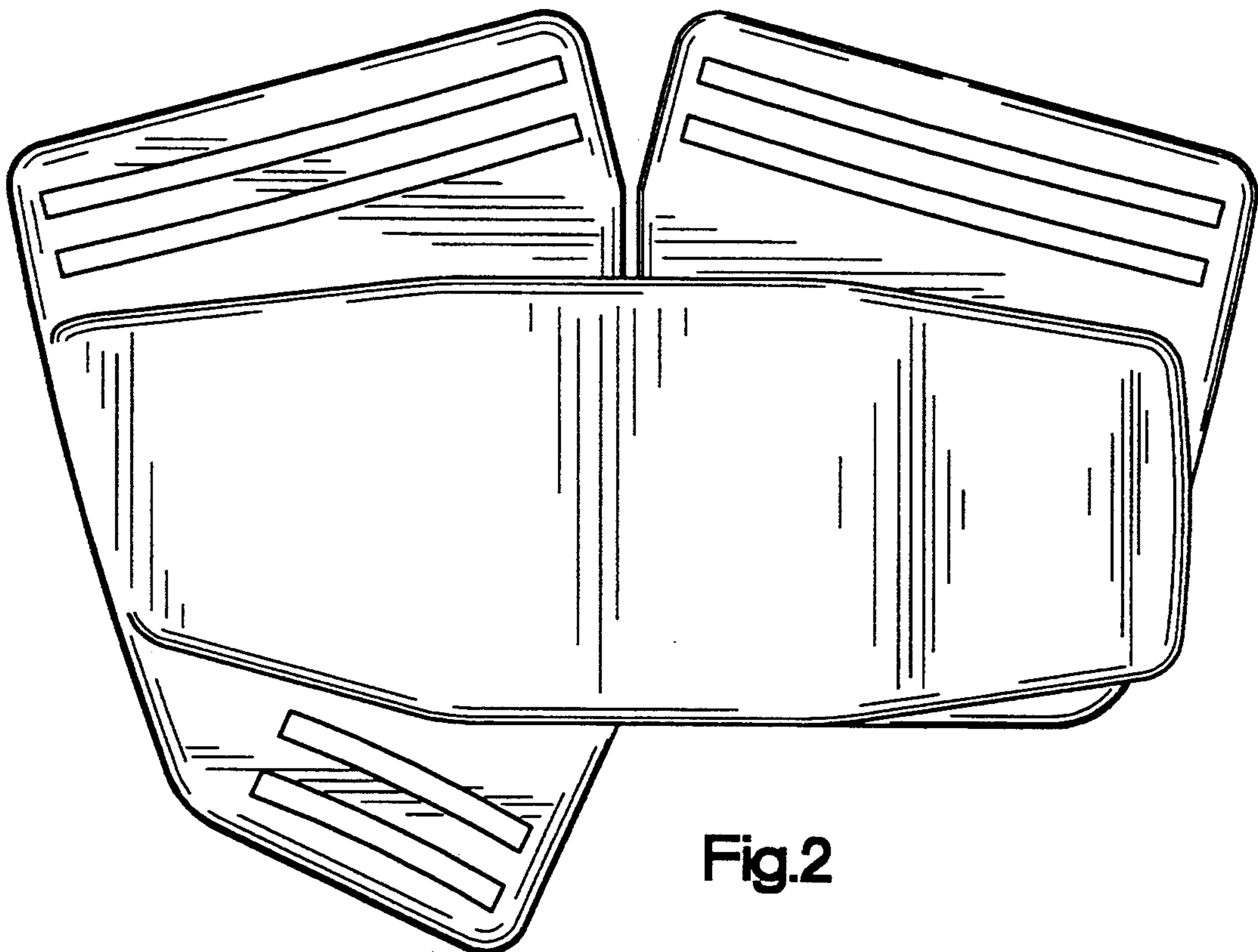


Fig.2

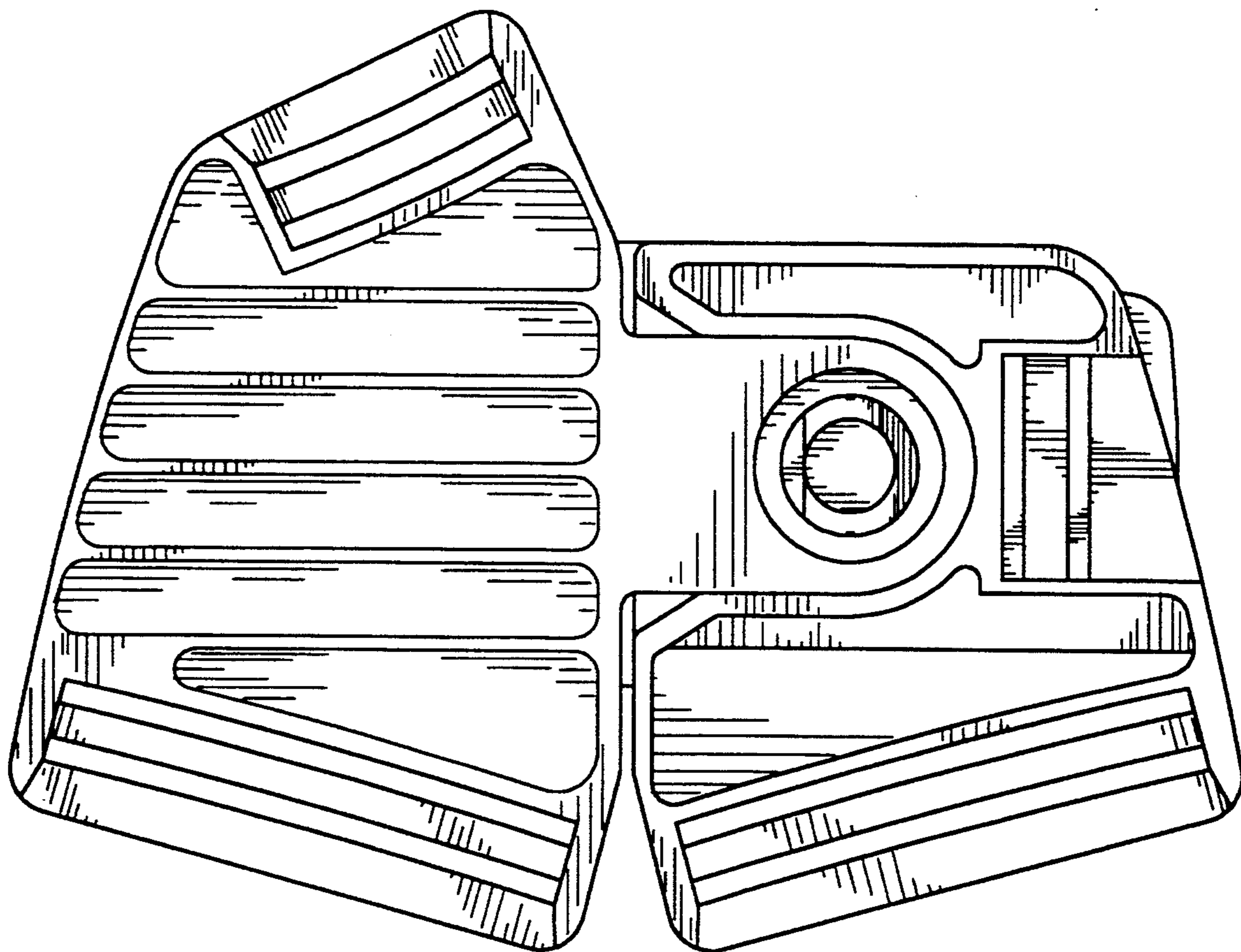


Fig.3

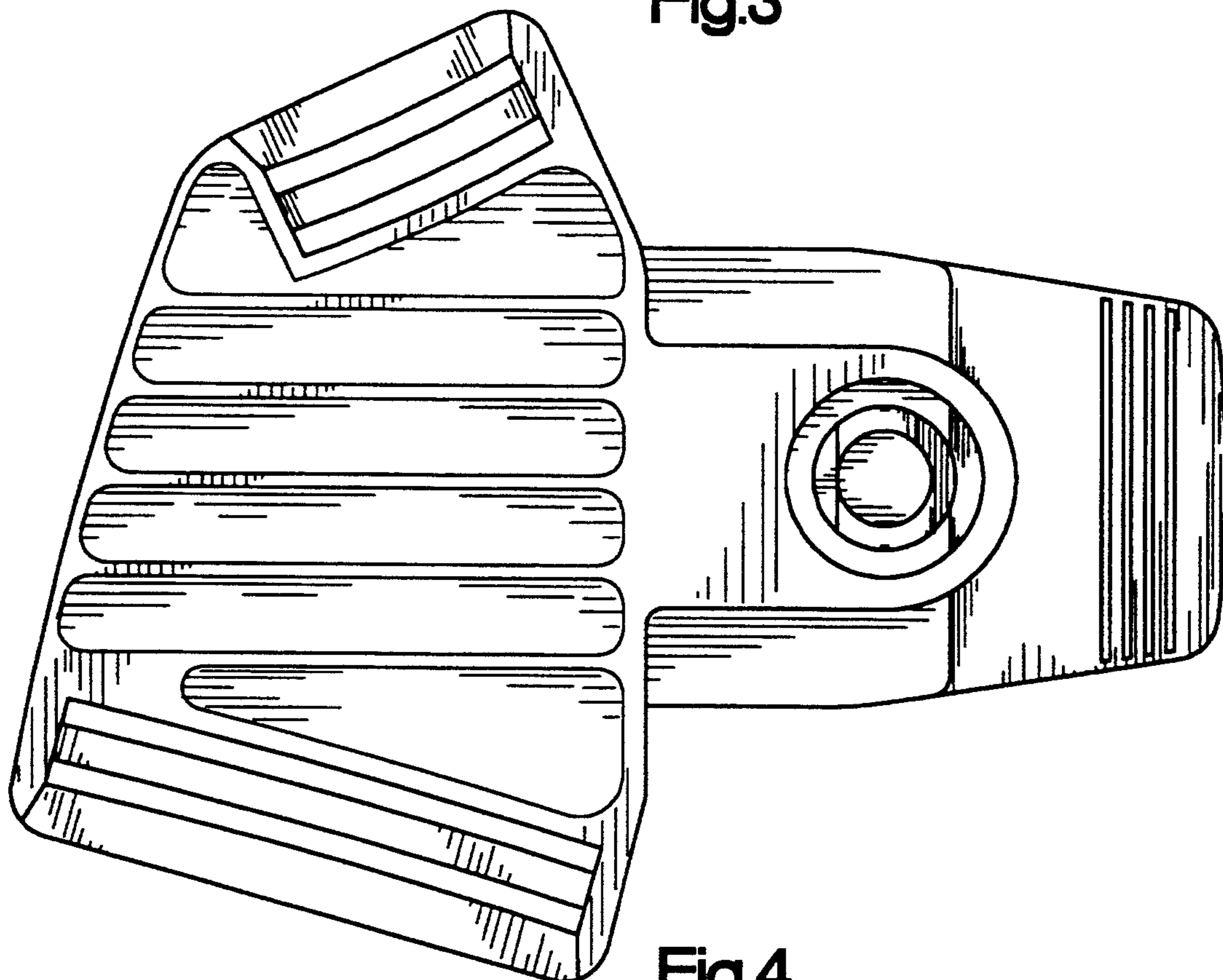


Fig.4

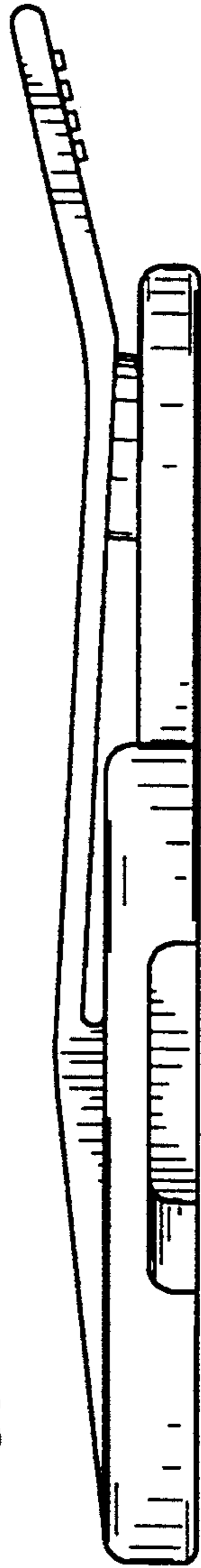


Fig.5

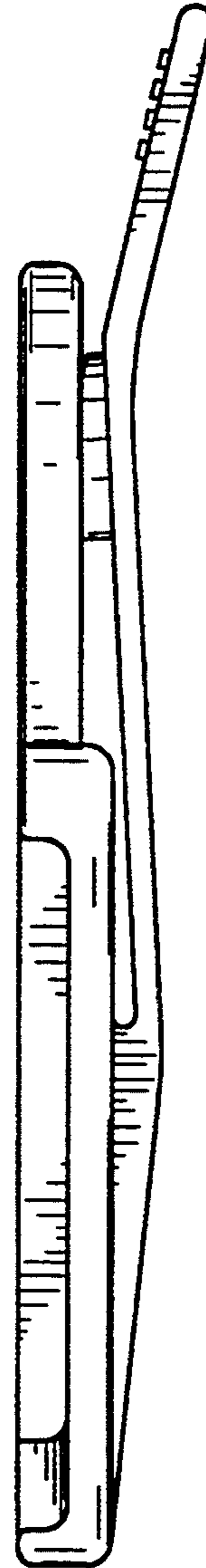


Fig.6

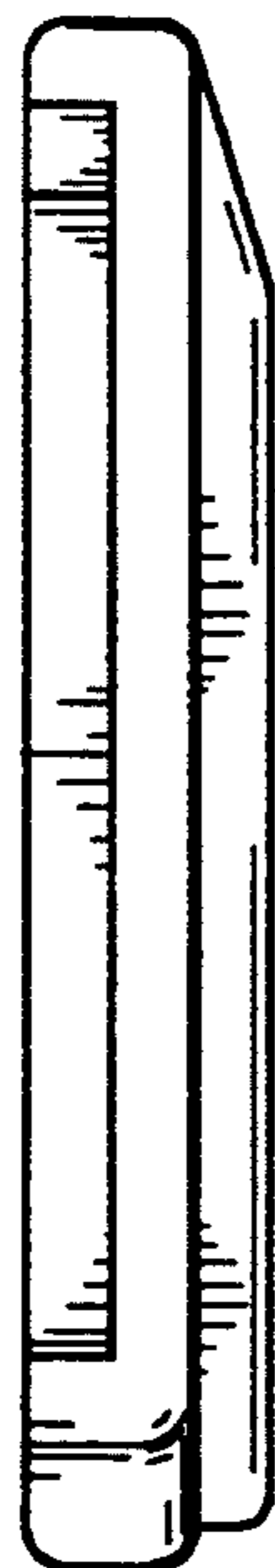


Fig.9



Fig.10

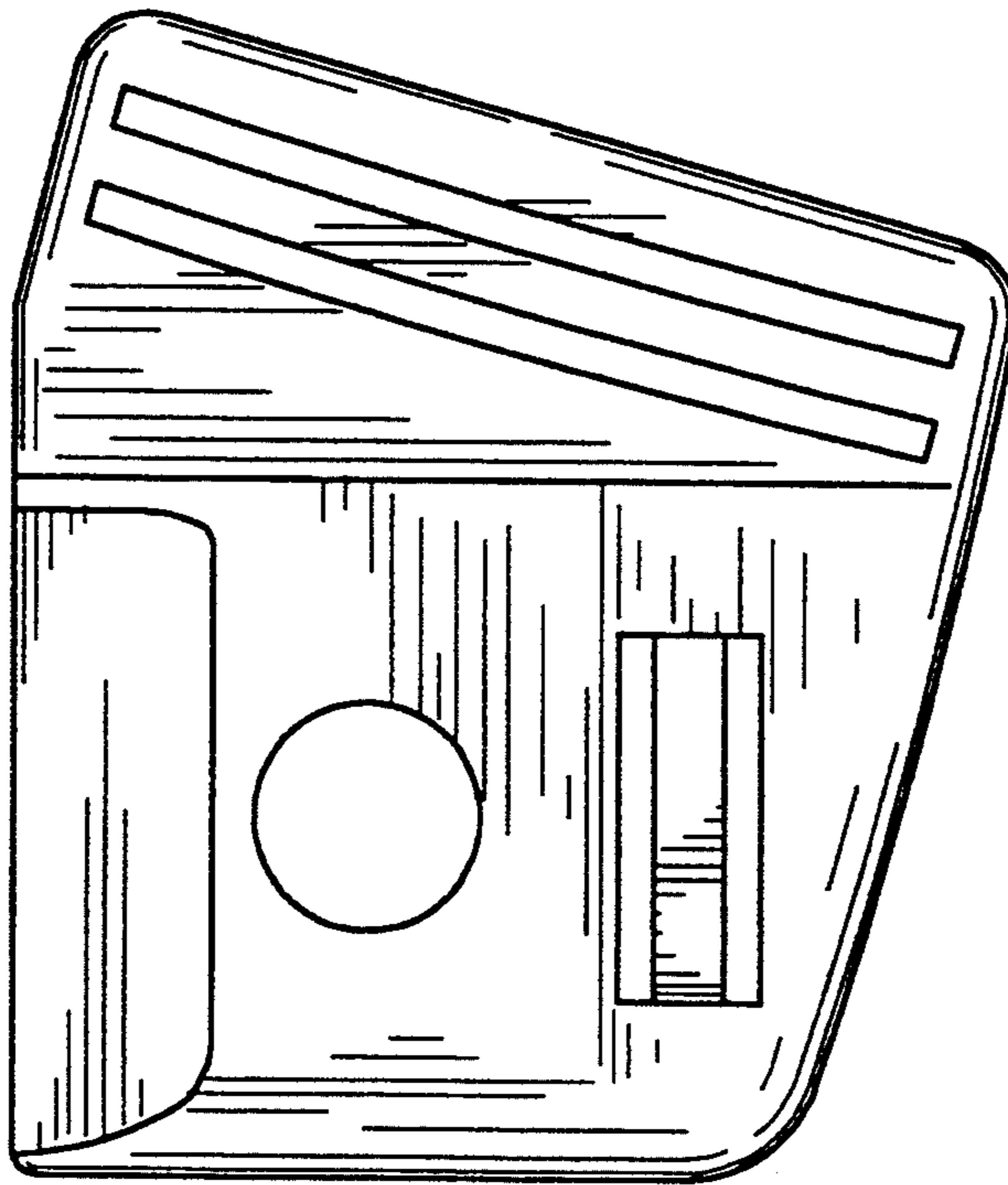


Fig.7

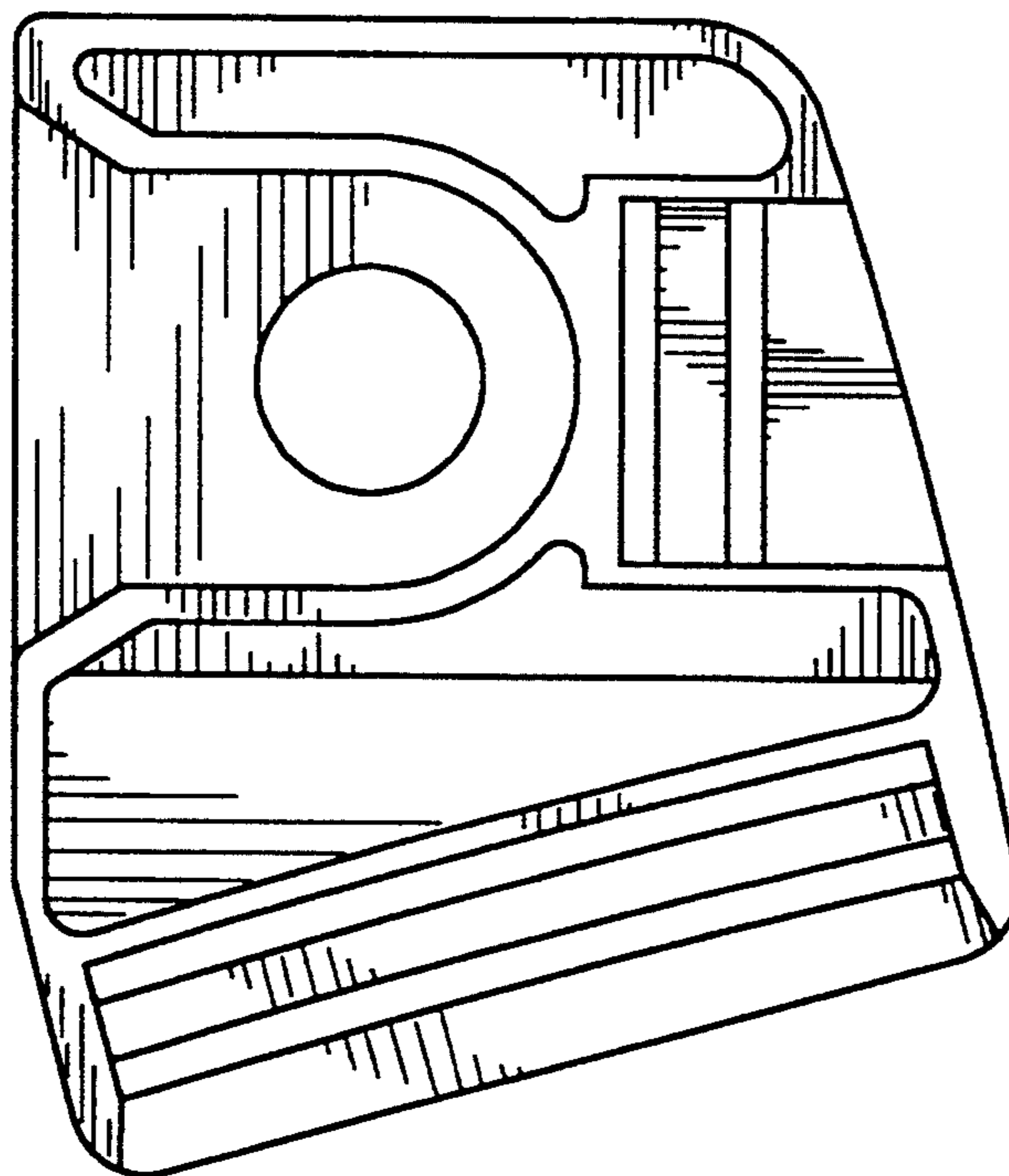


Fig.8