



US00D351118S

**United States Patent** [19]  
**Pandel**

[11] **Patent Number: Des. 351,118**  
[45] **Date of Patent: \*\* Oct. 4, 1994**

[54] **RING**

[75] **Inventor: Christiane Pandel, Chambesy, Switzerland**  
[73] **Assignee: Rolex Watch U.S.A., Inc., New York, N.Y.**

[\*\*] **Term: 14 Years**

[21] **Appl. No.: 6,591**

[22] **Filed: Apr. 1, 1993**

**Related U.S. Application Data**

[63] **Continuation-in-part of Ser. No. 3,852, Jan. 19, 1993.**  
[52] **U.S. Cl. .... D11/35**  
[58] **Field of Search ..... 63/1.1, 2, 15-15.7; D11/1-3, 26-36**

[56]

**References Cited**

**U.S. PATENT DOCUMENTS**

D. 285,423 9/1986 Marcus ..... D11/28  
D. 294,472 3/1988 Bulgari ..... D11/34  
D. 299,815 2/1989 Shapiro ..... D11/34  
D. 305,511 1/1990 Bulgari ..... D11/32  
D. 310,498 9/1990 Méjias ..... D11/35

*Primary Examiner*—Ralf T. Seifert  
*Attorney, Agent, or Firm*—Kane, Dalsimer, Sullivan, Kurucz, Levy, Eisele and Richard

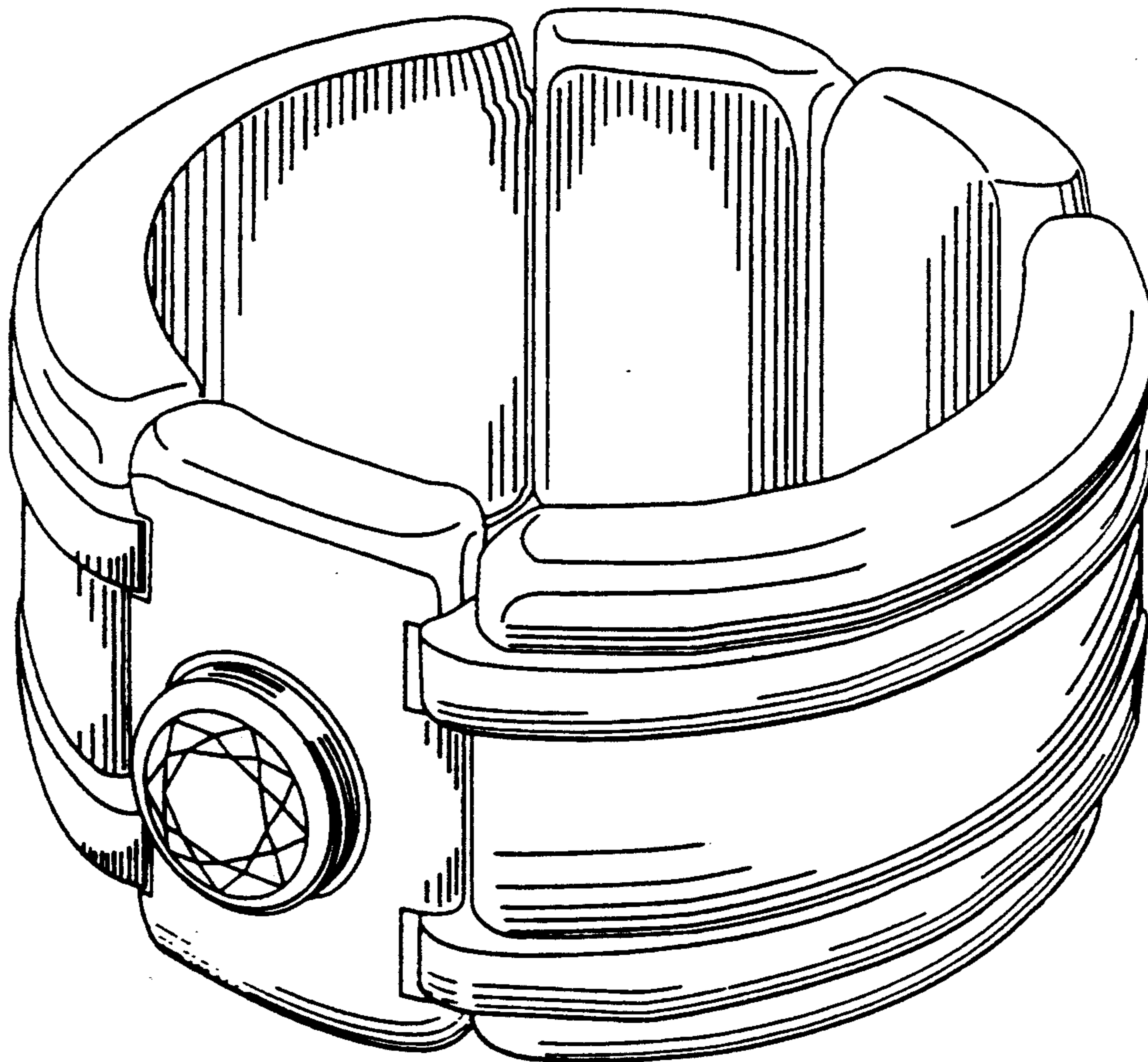
[57]

**CLAIM**

The ornamental design for a ring, as shown and described.

**DESCRIPTION**

FIG. 1 is a front perspective view of a ring showing my new design;  
FIG. 2 is a plan view of a first side thereof;  
FIG. 3 is a plan view of a second side thereof;  
FIG. 4 is a bottom plan view thereof;  
FIG. 5 is a top plan view thereof;  
FIG. 6 is a plan view of a first end thereof; and,  
FIG. 7 is a plan view of a second end thereof.



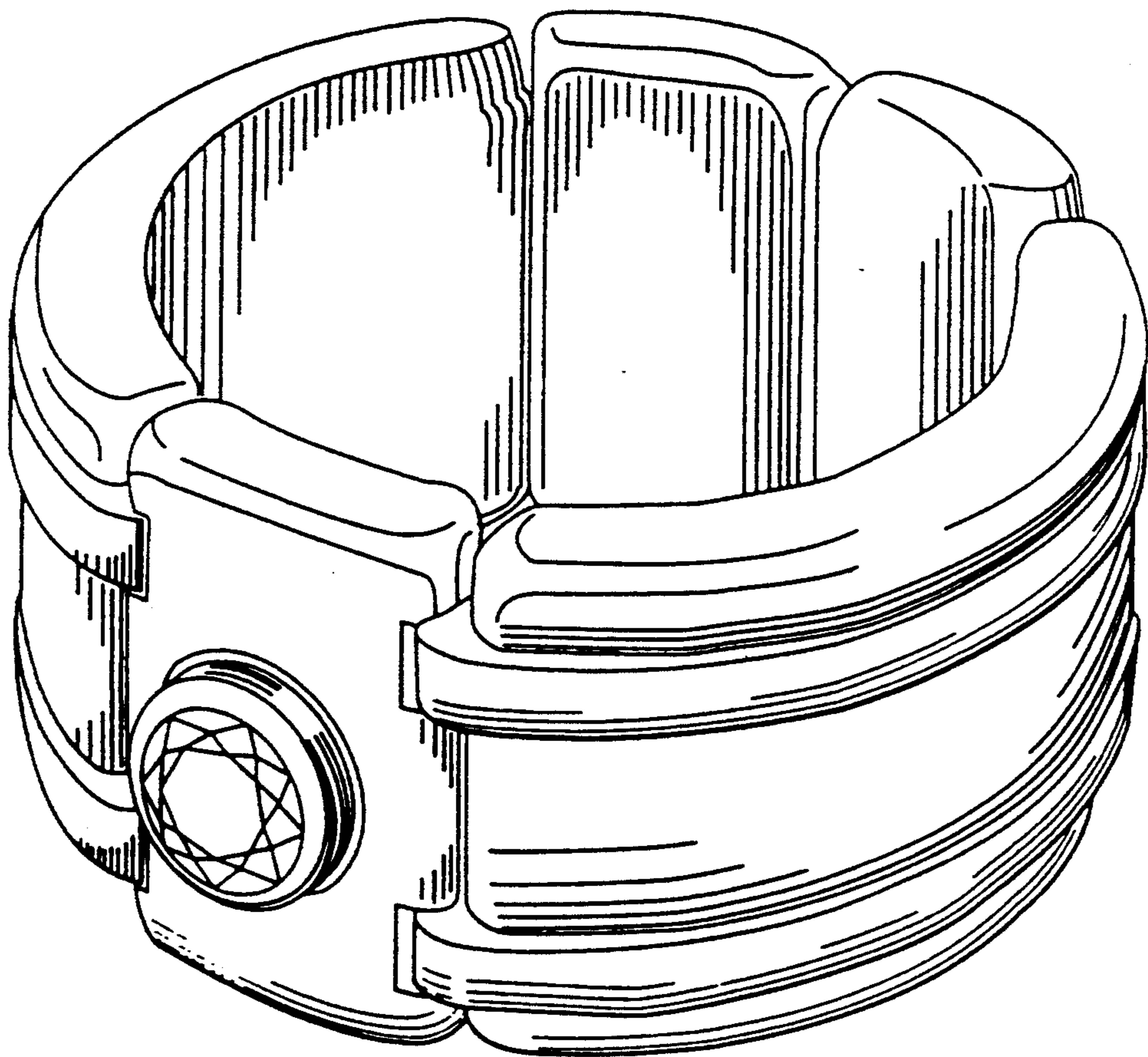


FIG. 1

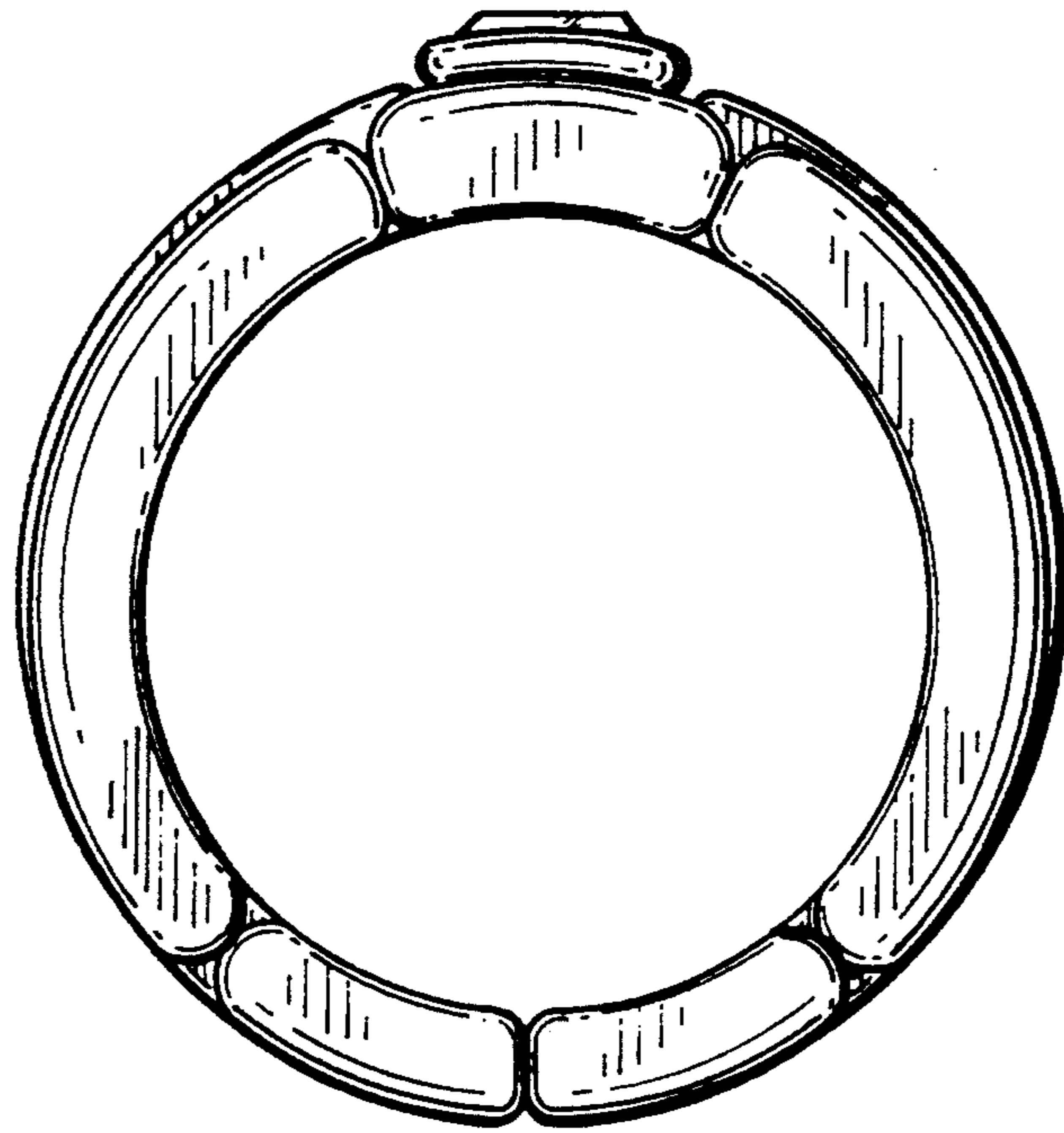


FIG. 2

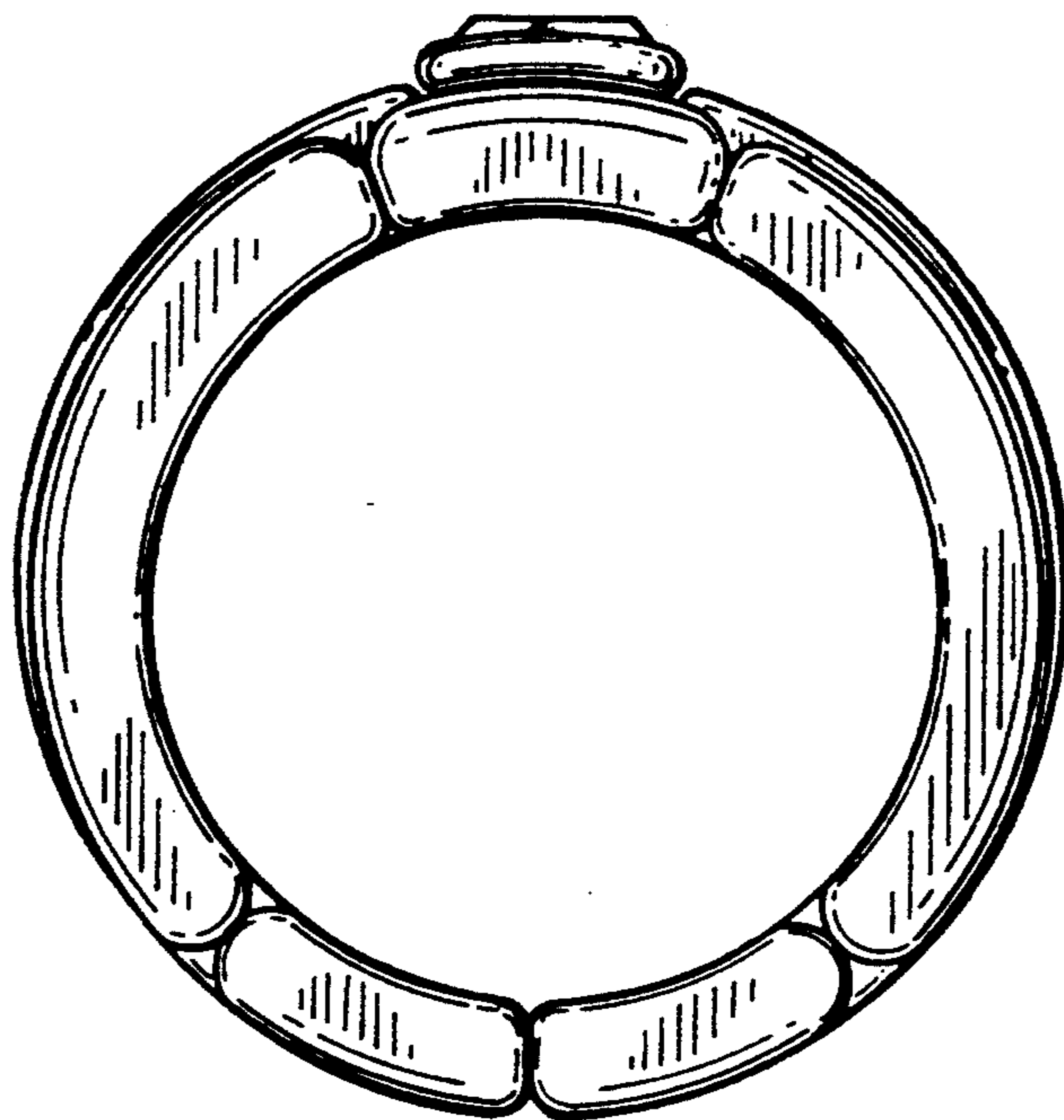


FIG. 3

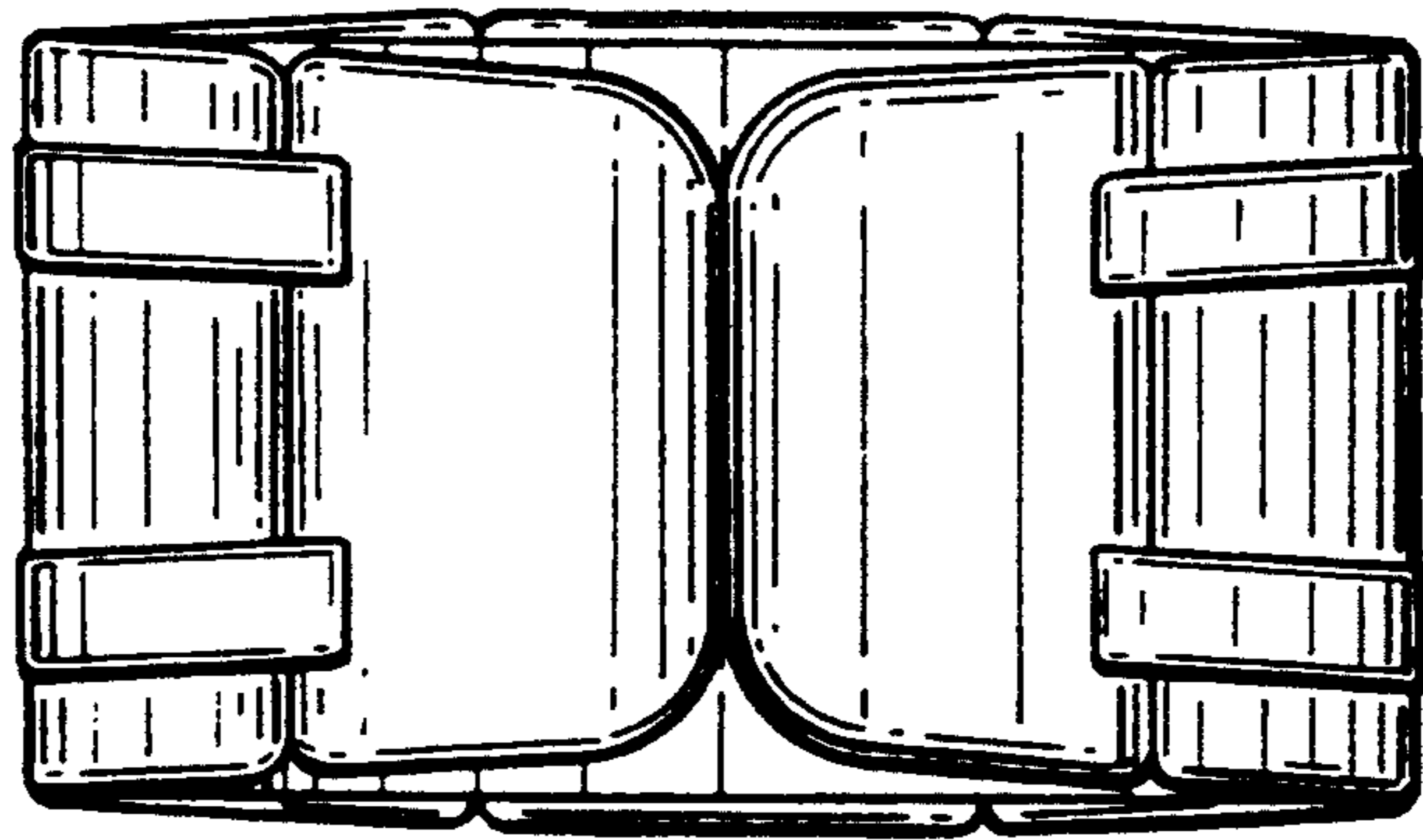


FIG. 4

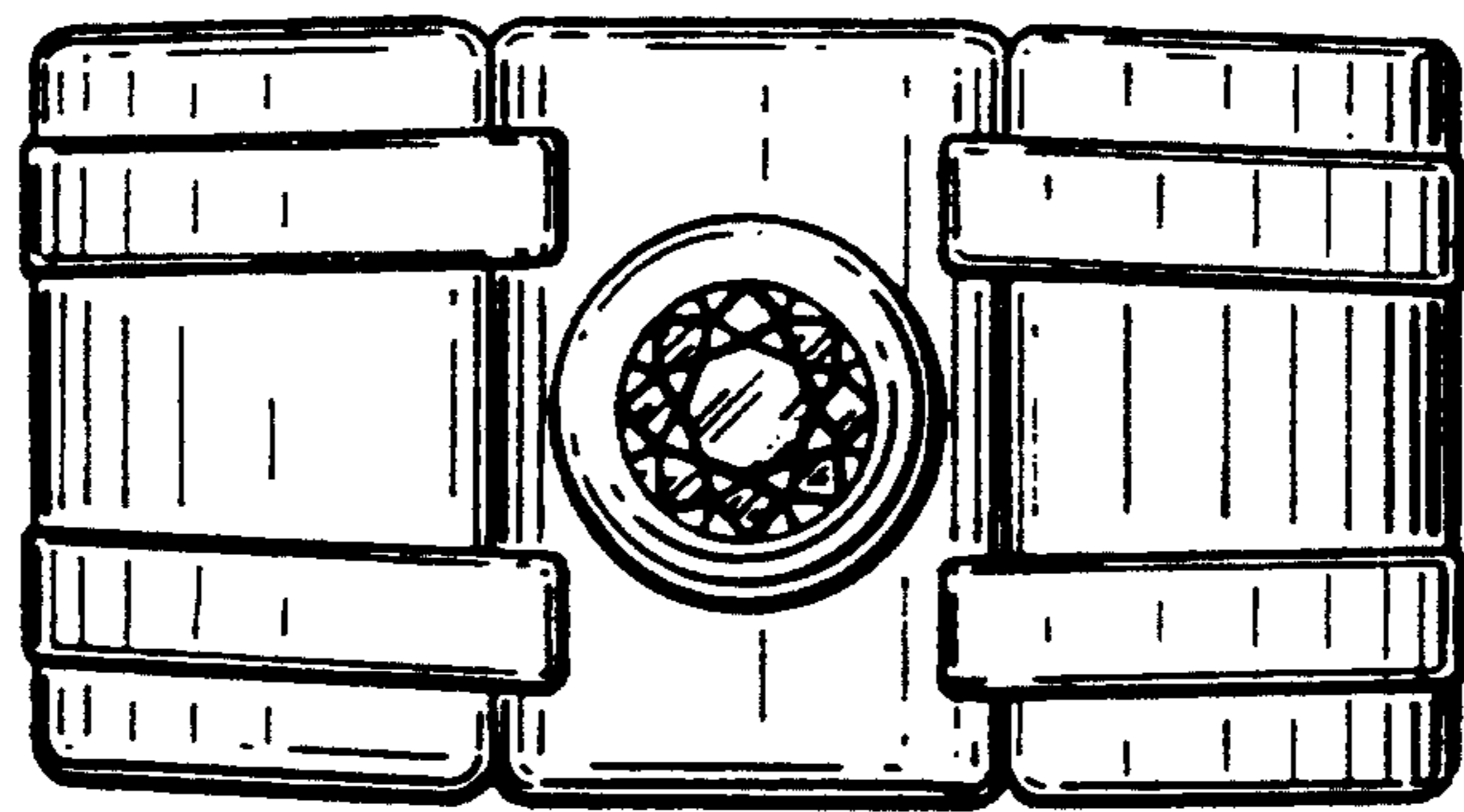


FIG. 5

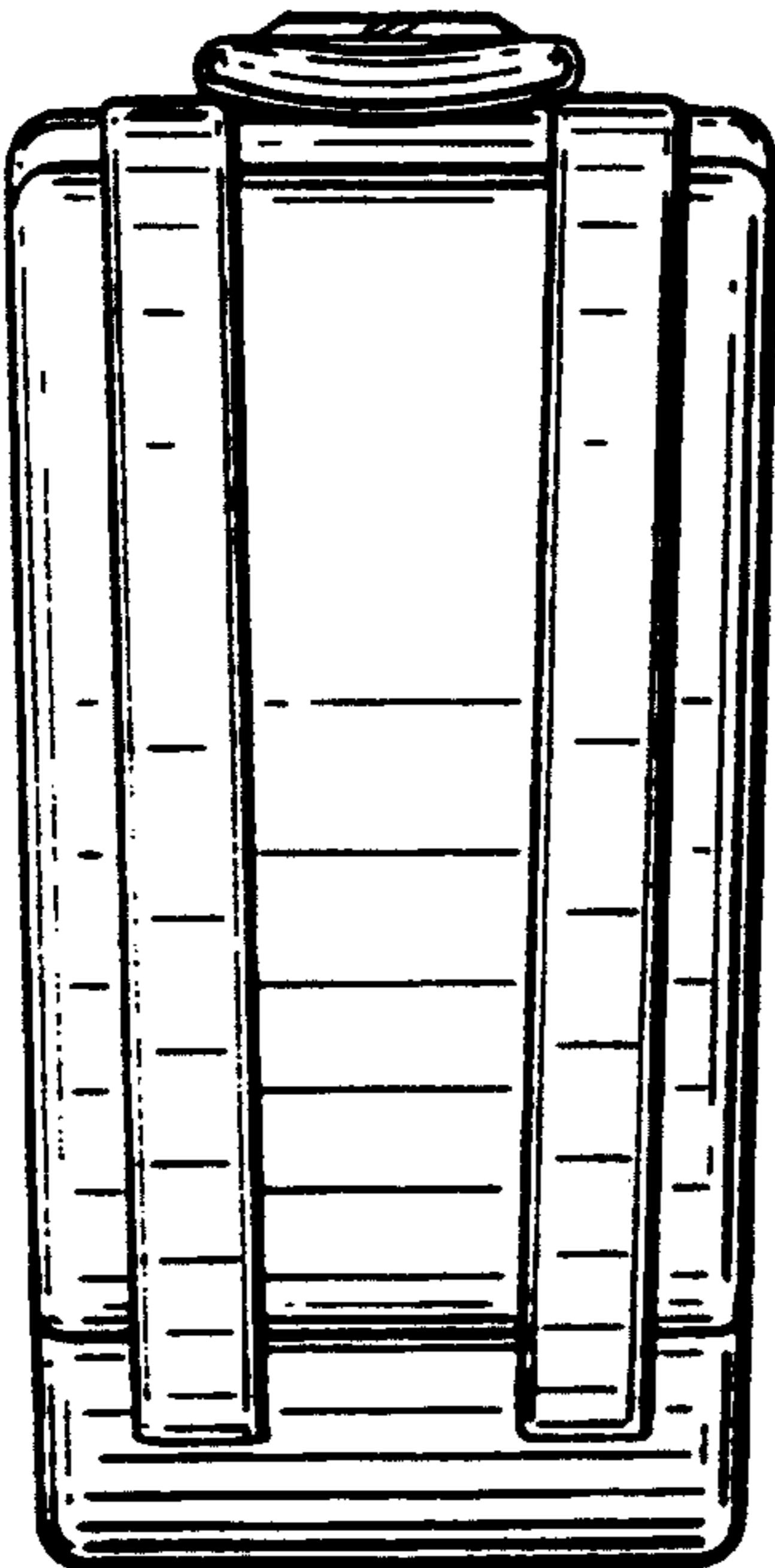


FIG. 6

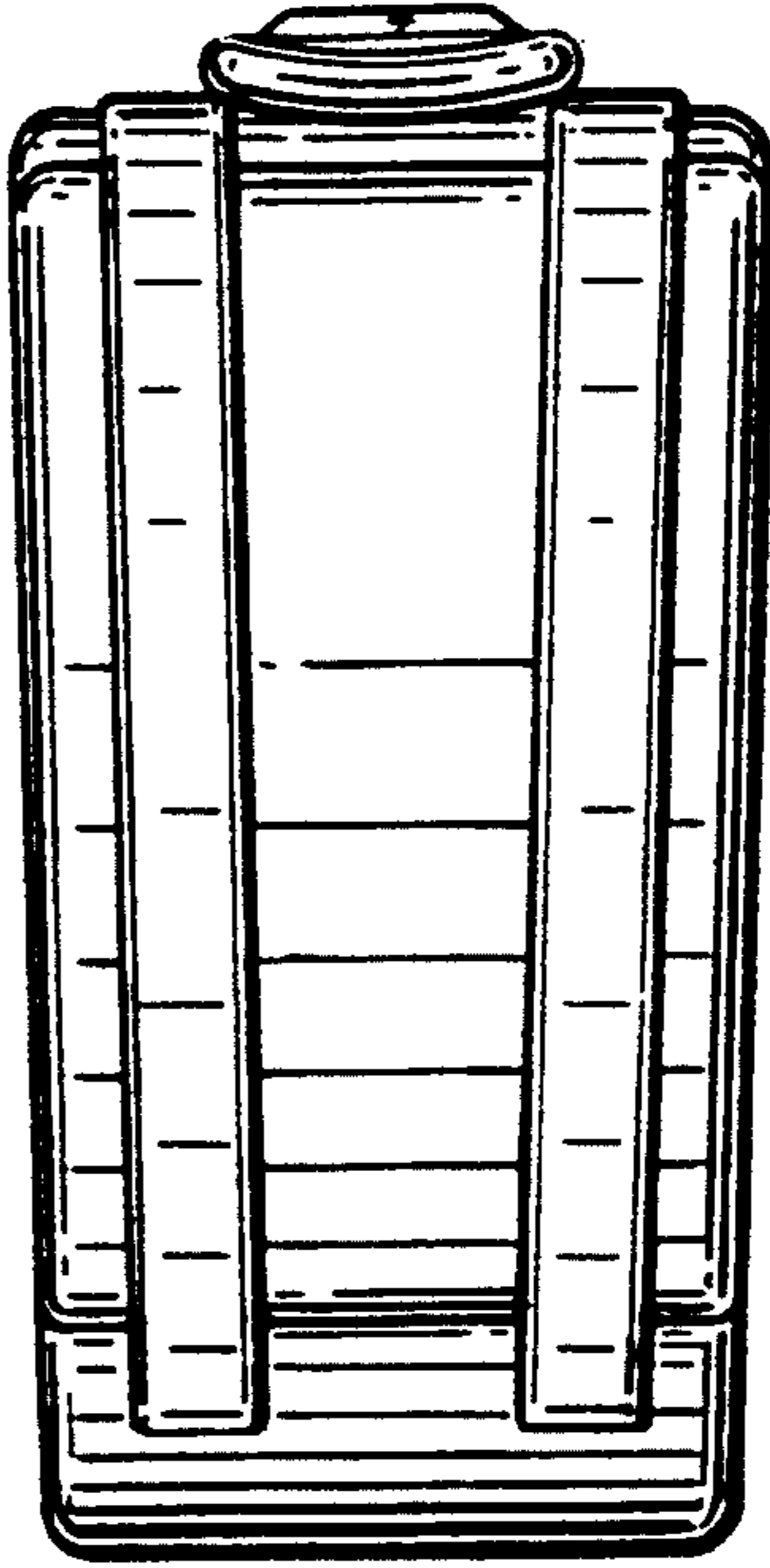


FIG. 7