



US00D351117S

# United States Patent [19]

[11] Patent Number: **Des. 351,117**

**Pandel**

[45] Date of Patent: **\*\* Oct. 4, 1994**

[54] RING

D. 305,511 1/1990 Bulgari ..... D11/32  
D. 310,498 9/1990 Mejias ..... D11/35

[75] Inventor: **Christiane Pandel**, Chambesy, Switzerland

*Primary Examiner*—Ralf T. Seifert

[73] Assignee: **Rolex Watch U.S.A., Inc.**, New York, N.Y.

*Attorney, Agent, or Firm*—Kane, Dalsimer, Sullivan, Kurucz, Levy, Eisele and Richard

[\*\*] Term: **14 Years**

[57] **CLAIM**

[21] Appl. No.: **3,852**

The ornamental design for a ring, as shown and described.

[22] Filed: **Jan. 19, 1993**

[52] U.S. Cl. .... **D11/35**

**DESCRIPTION**

[58] Field of Search ..... 63/1.1, 2, 15-15.7; D11/1-3, 26-36

FIG. 1 is a front perspective view of a ring showing my new design;

[56] **References Cited**

**U.S. PATENT DOCUMENTS**

D. 285,423 9/1986 Marcus ..... D11/28  
D. 294,472 3/1988 Bulgari ..... D11/34  
D. 299,815 2/1989 Shapiro ..... D11/35

FIG. 2 is a plan view of a first side thereof;

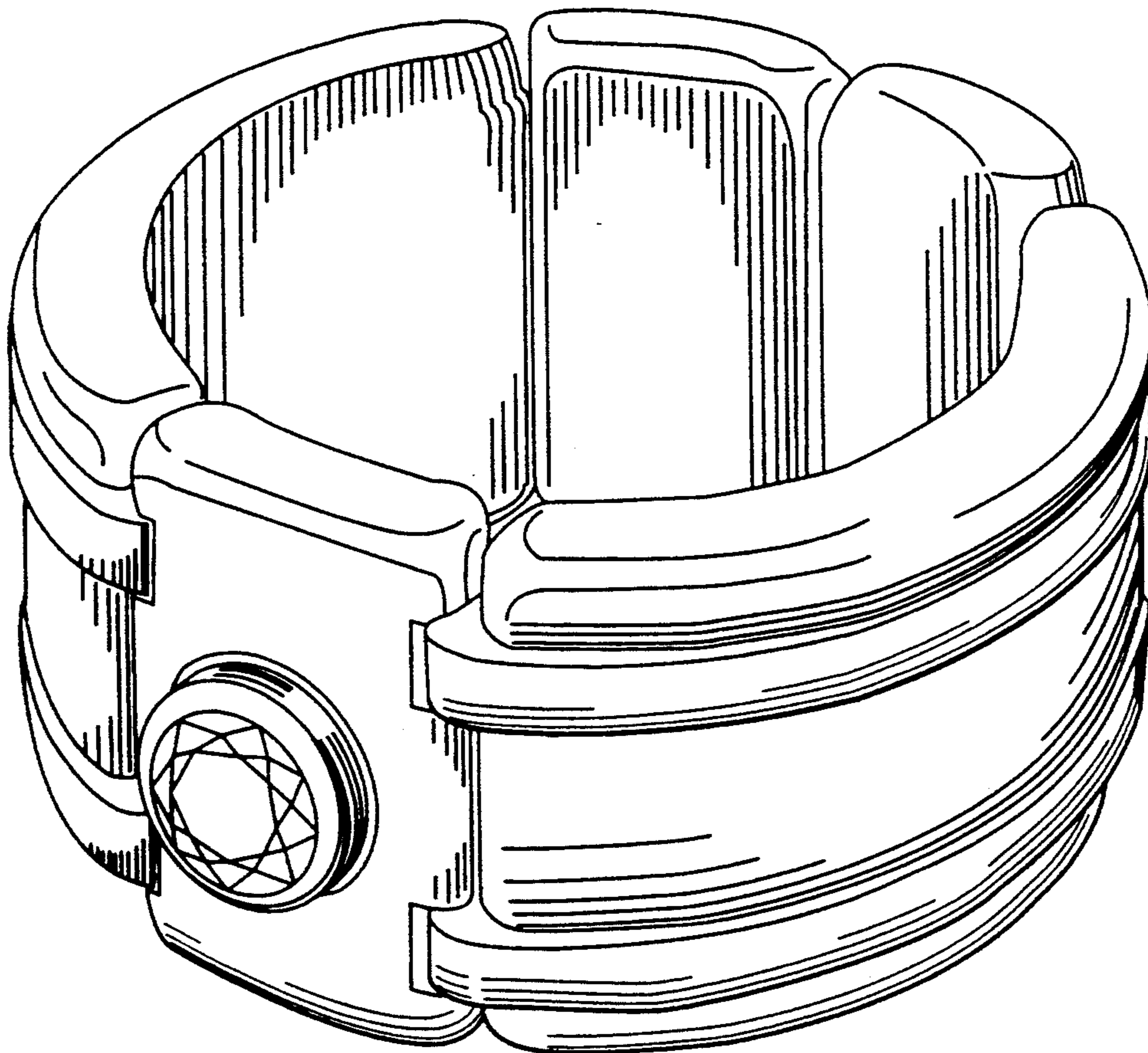
FIG. 3 is a plan view of a second side thereof;

FIG. 4 is a bottom plan view thereof;

FIG. 5 is a top plan view thereof;

FIG. 6 is a plan view of a first end thereof; and,

FIG. 7 is a plan view of a second end thereof.



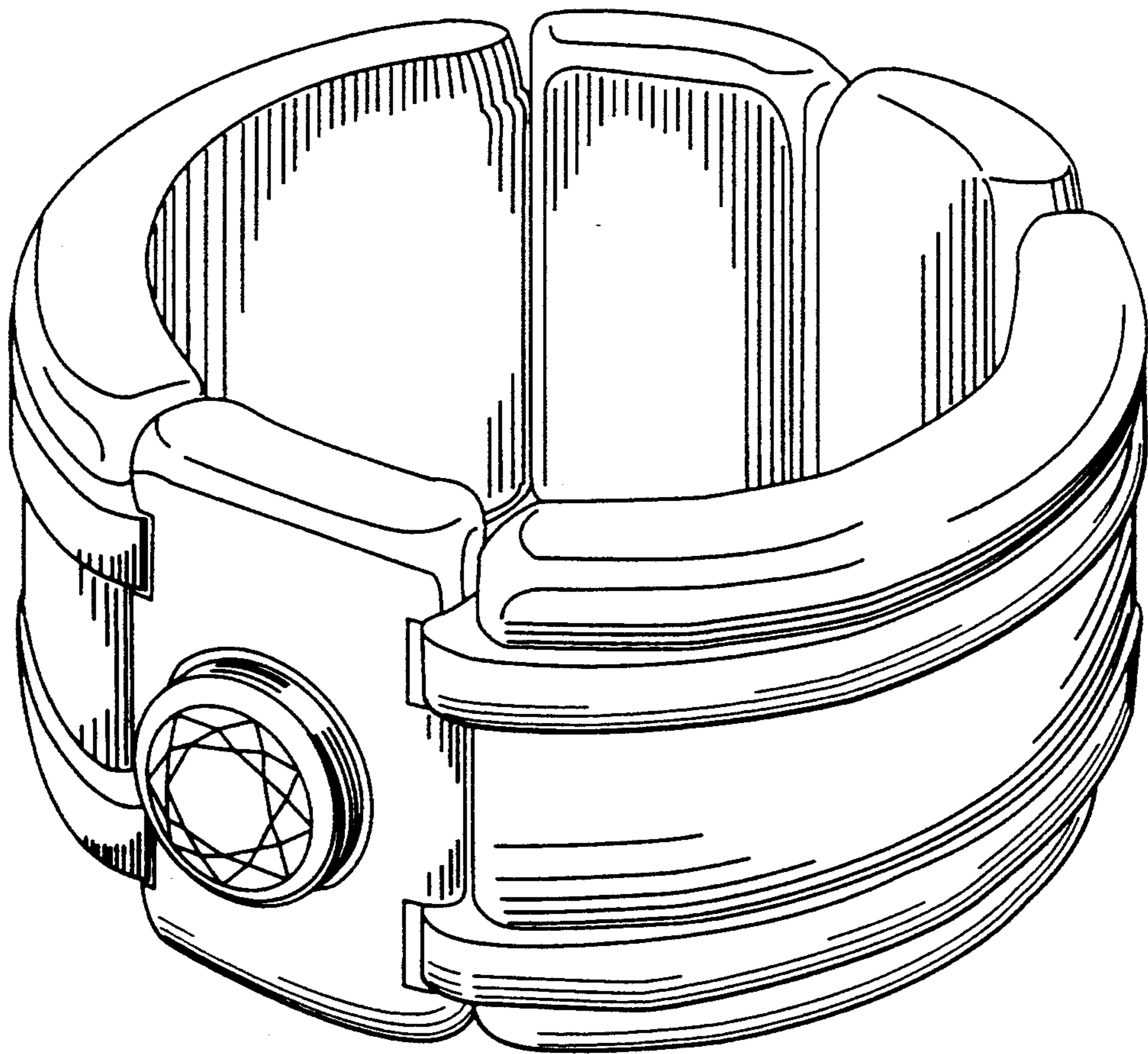


FIG. 1

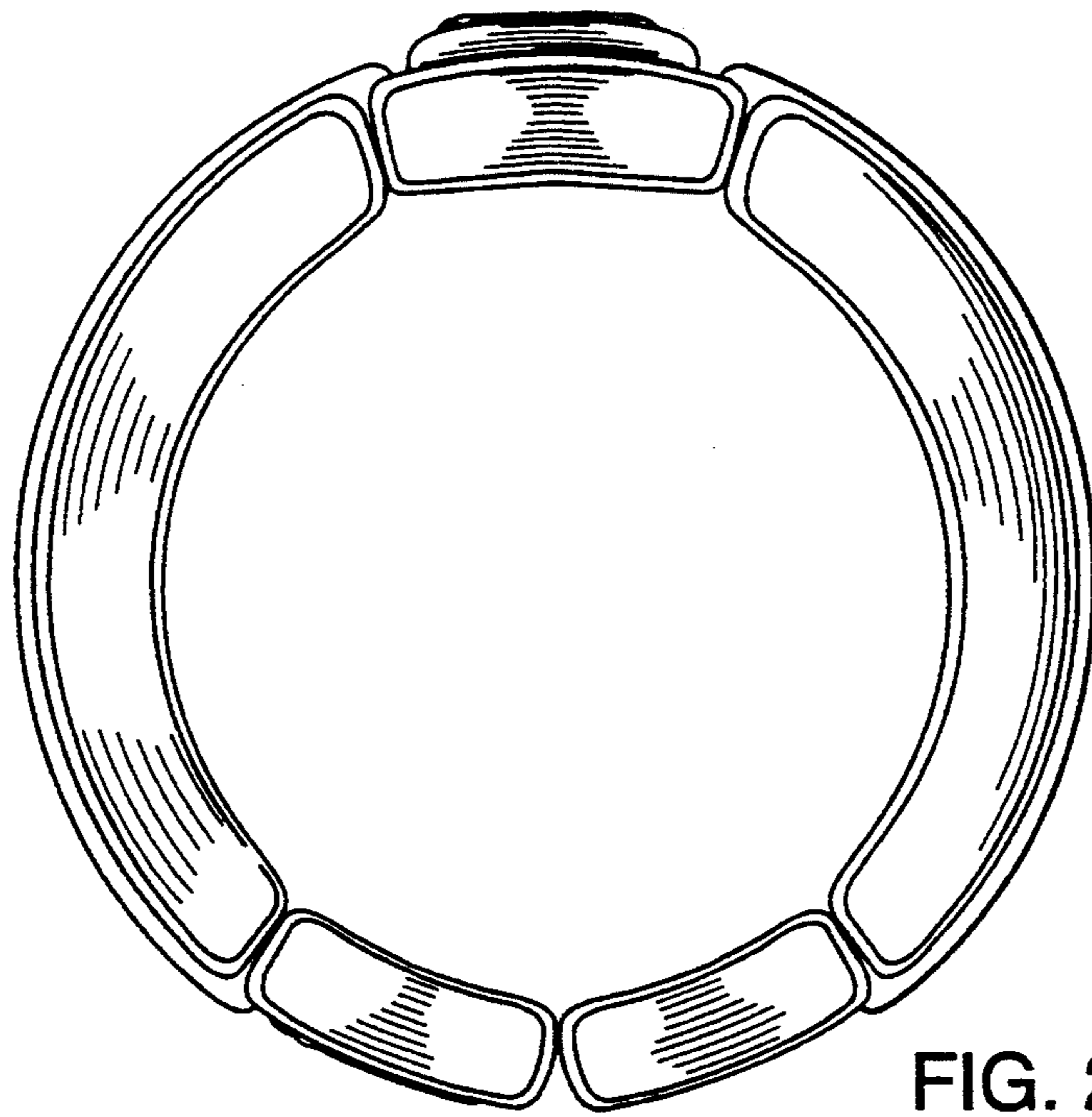


FIG. 2

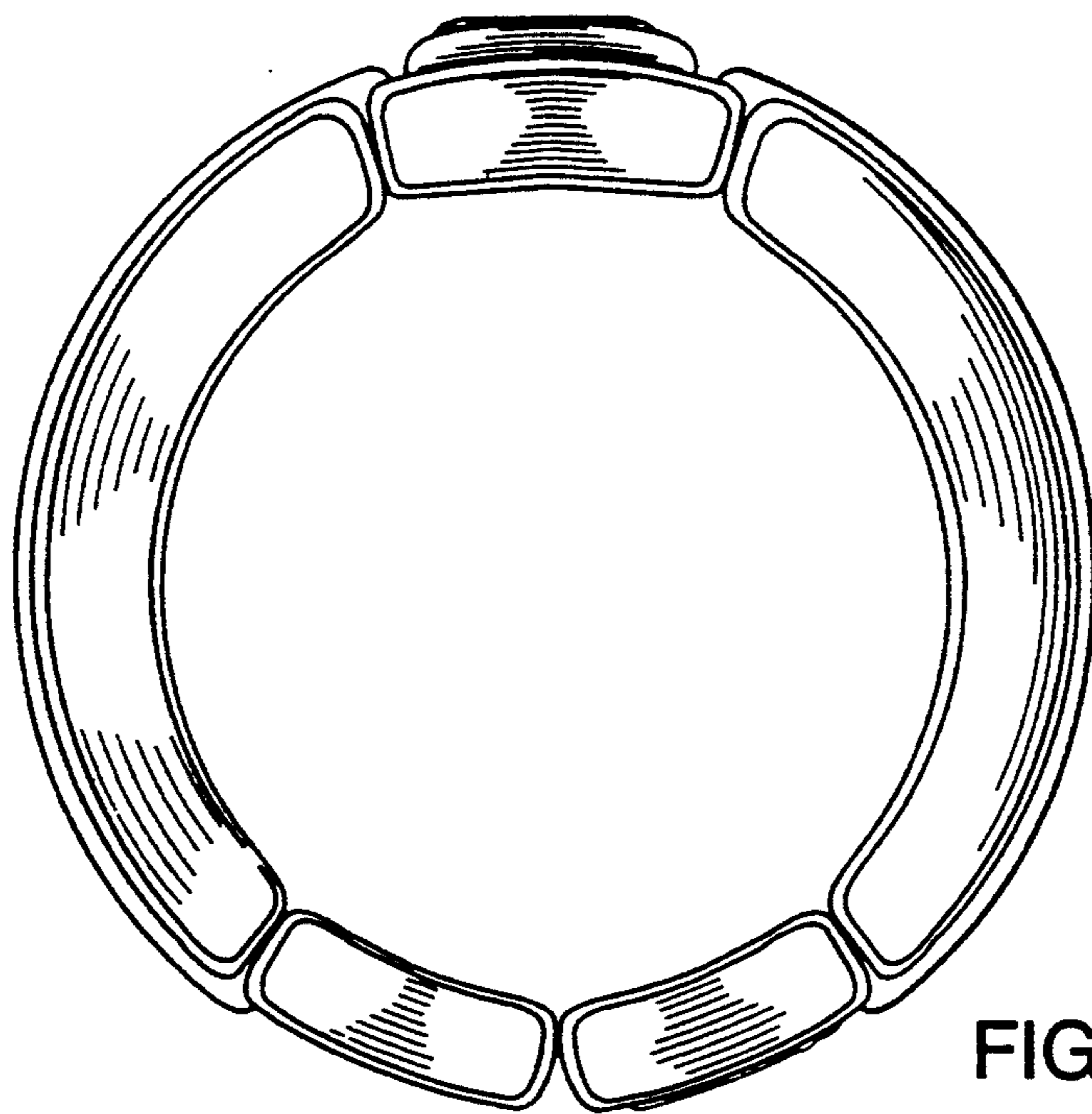


FIG. 3



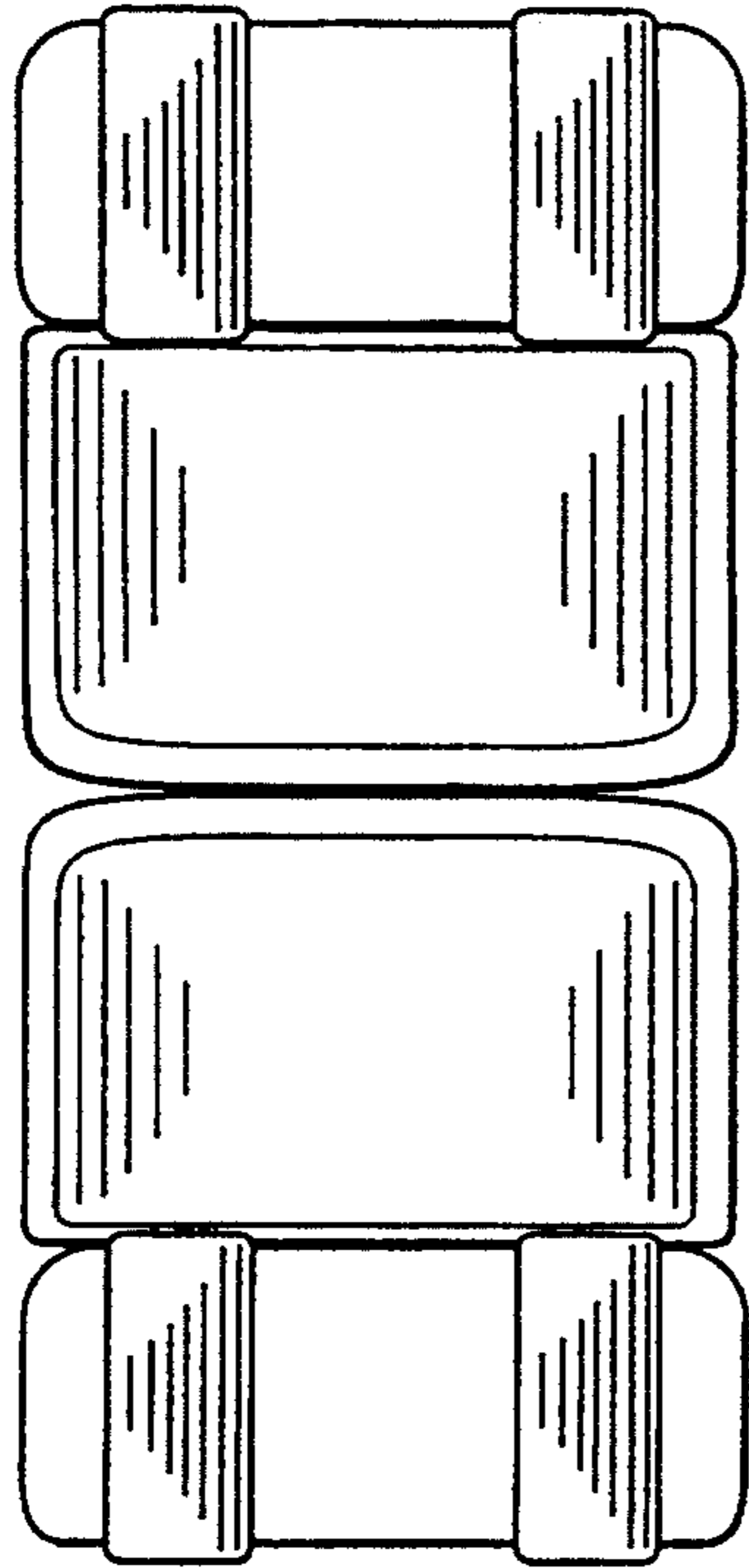


FIG. 4

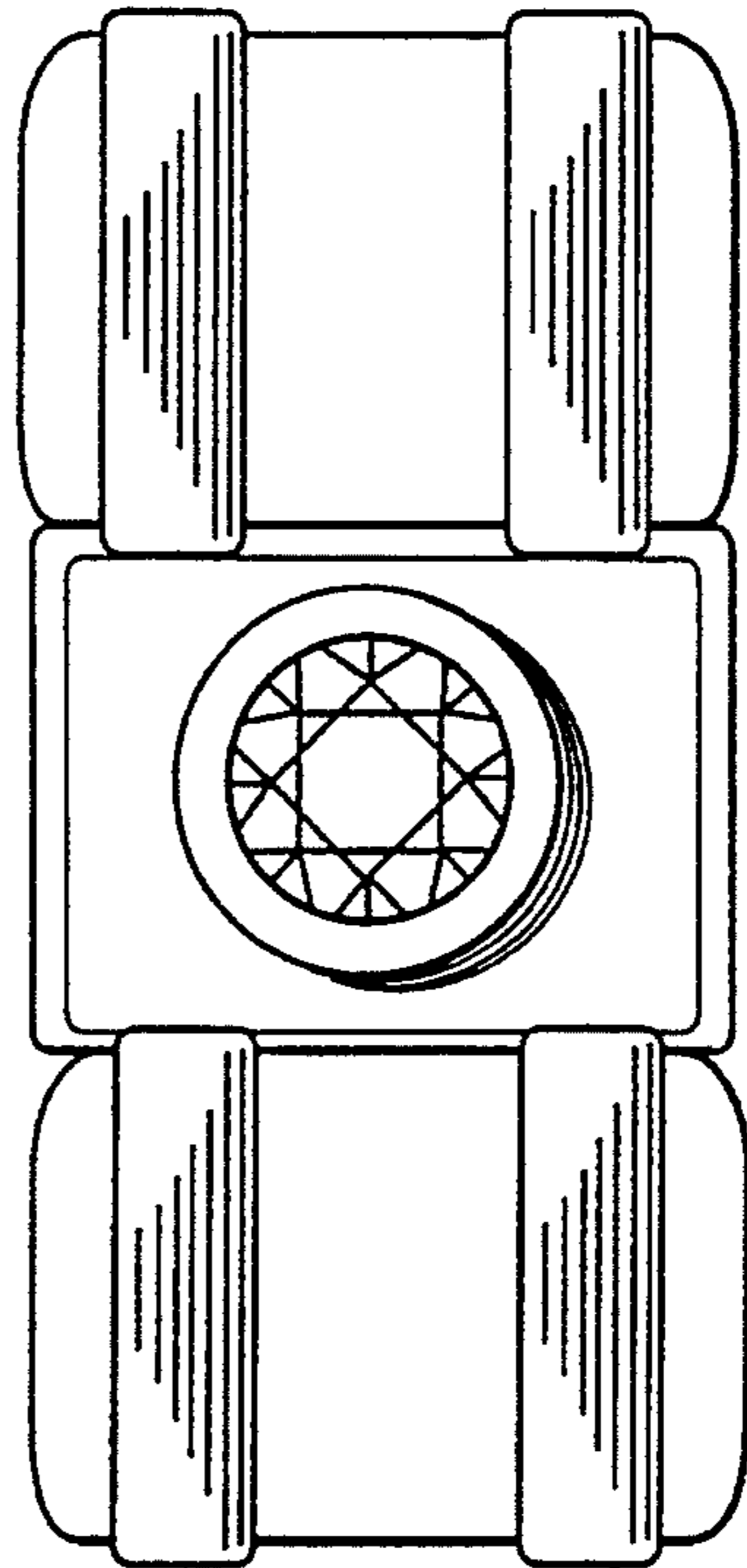


FIG. 5

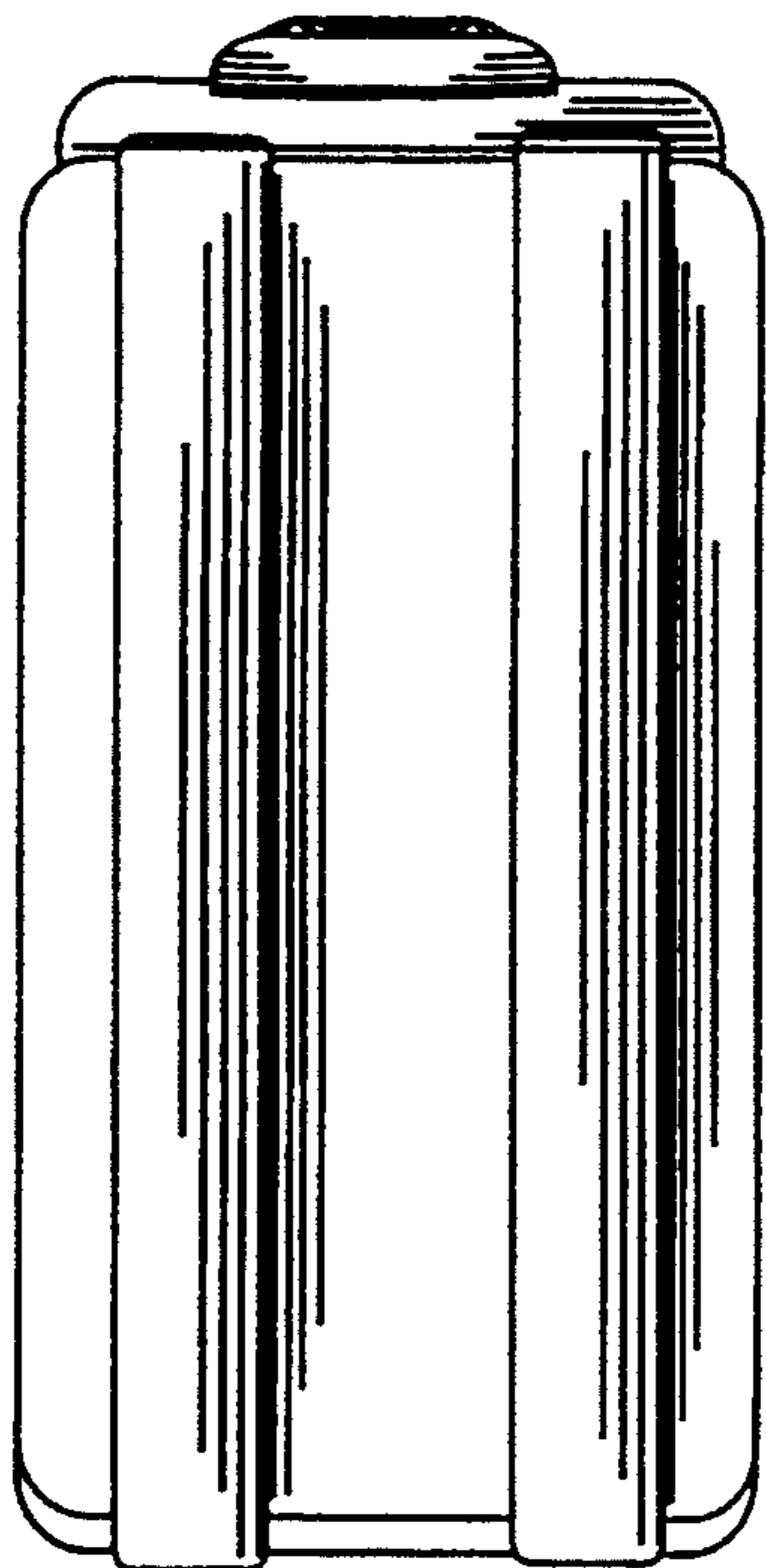


FIG. 6

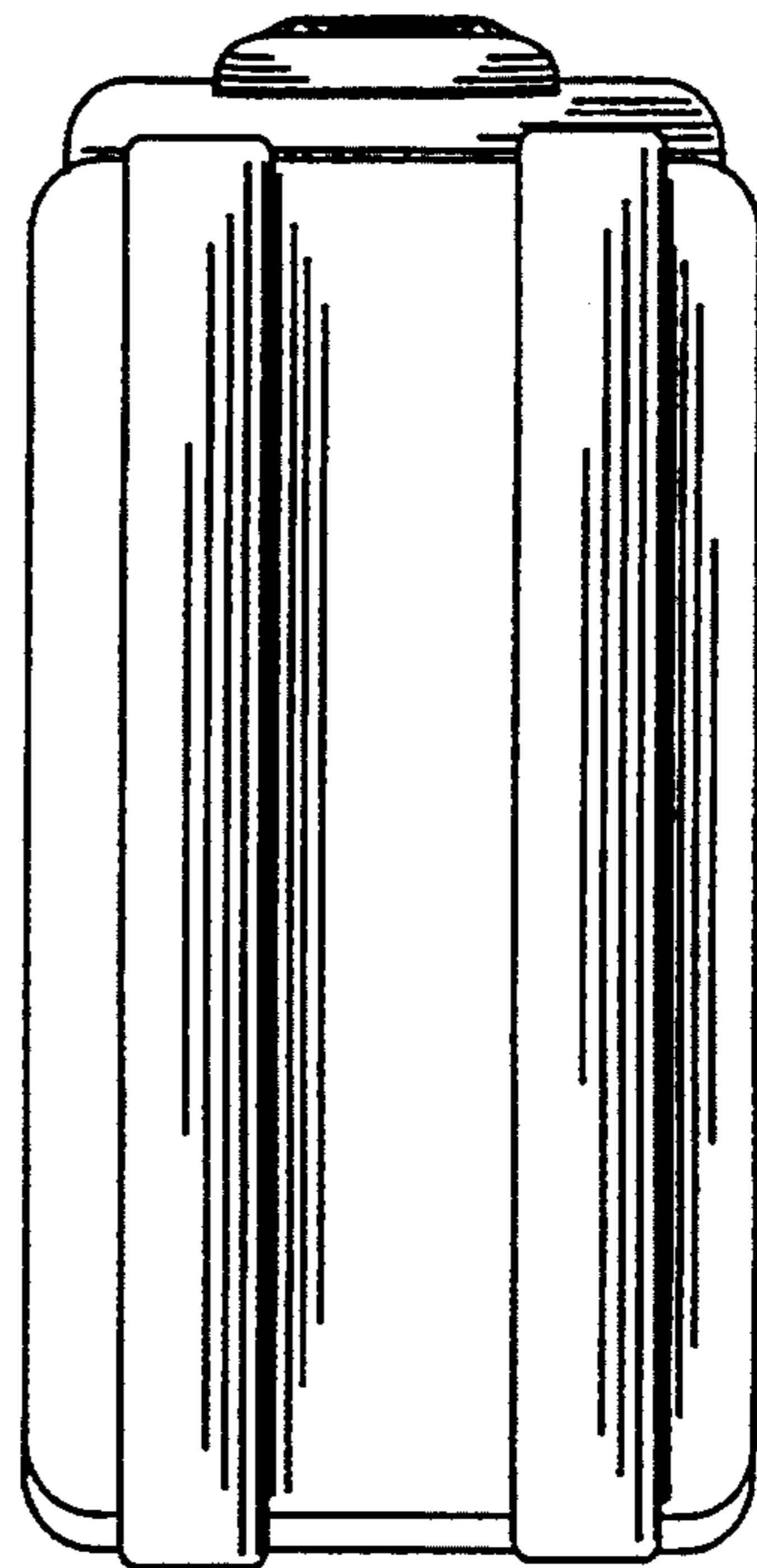


FIG. 7