



US00D351113S

United States Patent [19]

[11] Patent Number: Des. 351,113

Hermansen

[45] Date of Patent: ** Oct. 4, 1994

[54] PIVOTAL DIVERS GAUGE

4,466,283 8/1984 Ostechout 73/865.1 X

[75] Inventor: Frank Hermansen, Newport Beach, Calif.

Primary Examiner—Nelson C. Holtje
Assistant Examiner—Antoine D. Davis
Attorney, Agent, or Firm—George F. Bethel; Patience K. Bethel

[73] Assignee: U.S. Divers Co., Inc., Santa Ana, Calif.

[57] CLAIM

[**] Term: 14 Years

The ornamental design for a pivotal divers gauge, as shown.

[21] Appl. No.: 3,956

DESCRIPTION

[22] Filed: Jan. 19, 1993

[52] U.S. Cl. D10/85

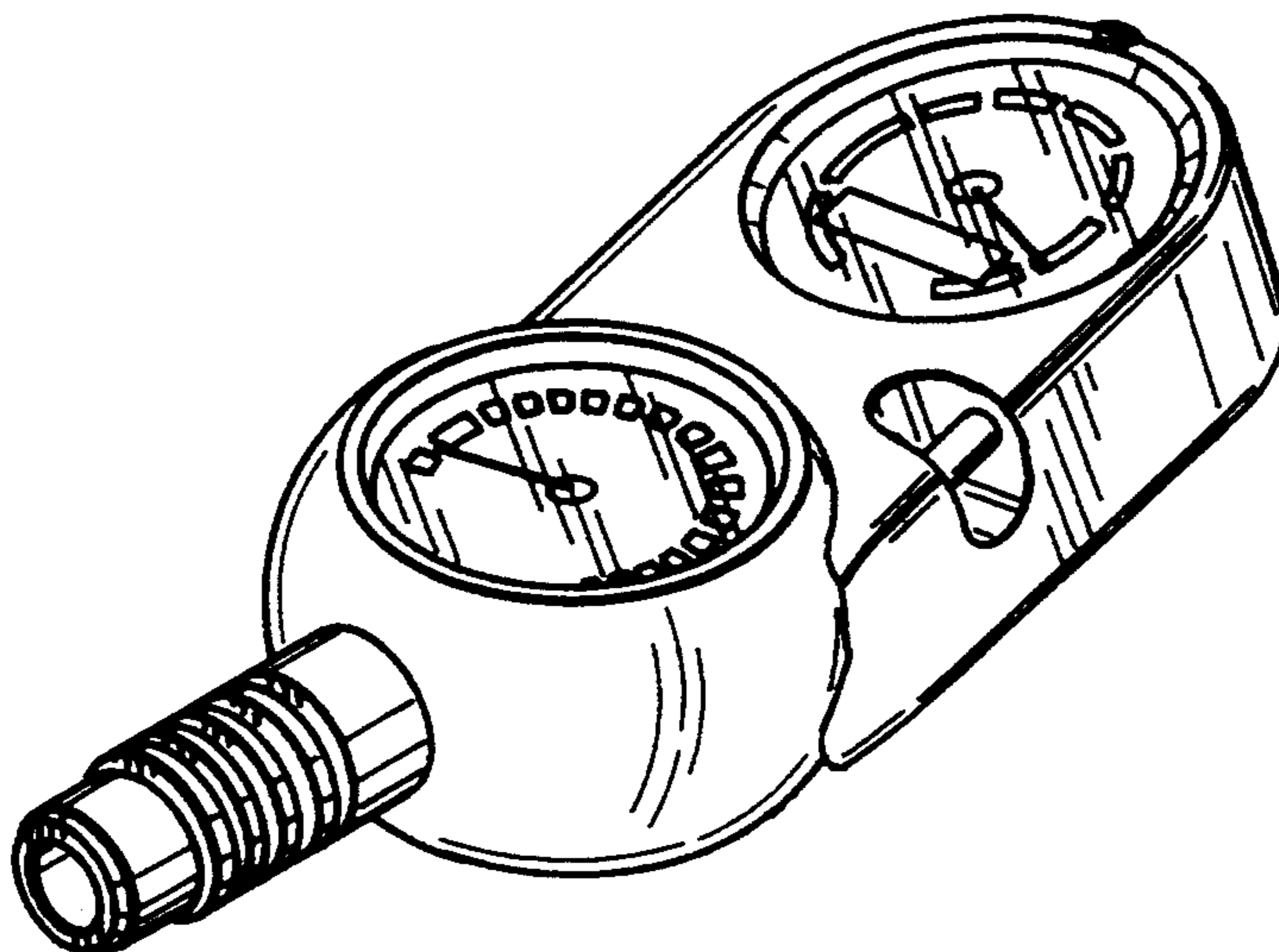
[58] Field of Search 73/204.23, 205.23, 756, 73/865.1, 432.1; 128/204.23, 204.26; 364/418, 558, 803, 413.31; D10/85; D21/236

FIG. 1 shows a perspective view of the pivotal divers gauge of this invention;
FIG. 2 shows a top plan view thereof;
FIG. 3 shows a side elevation view;
FIG. 4 shows an end view looking from the left side of FIG. 1;
FIG. 5 shows a side elevation view opposite from the side shown in FIG. 3;
FIG. 6 shows an end view looking from the right side of FIG. 1; and,
FIG. 7 shows a bottom plan view.

[56] References Cited

U.S. PATENT DOCUMENTS

- D. 247,957 5/1978 Adams D10/85 X
- D. 289,505 4/1987 Faulconer D10/85
- 4,400,977 8/1983 Gross et al. 73/865.1 X



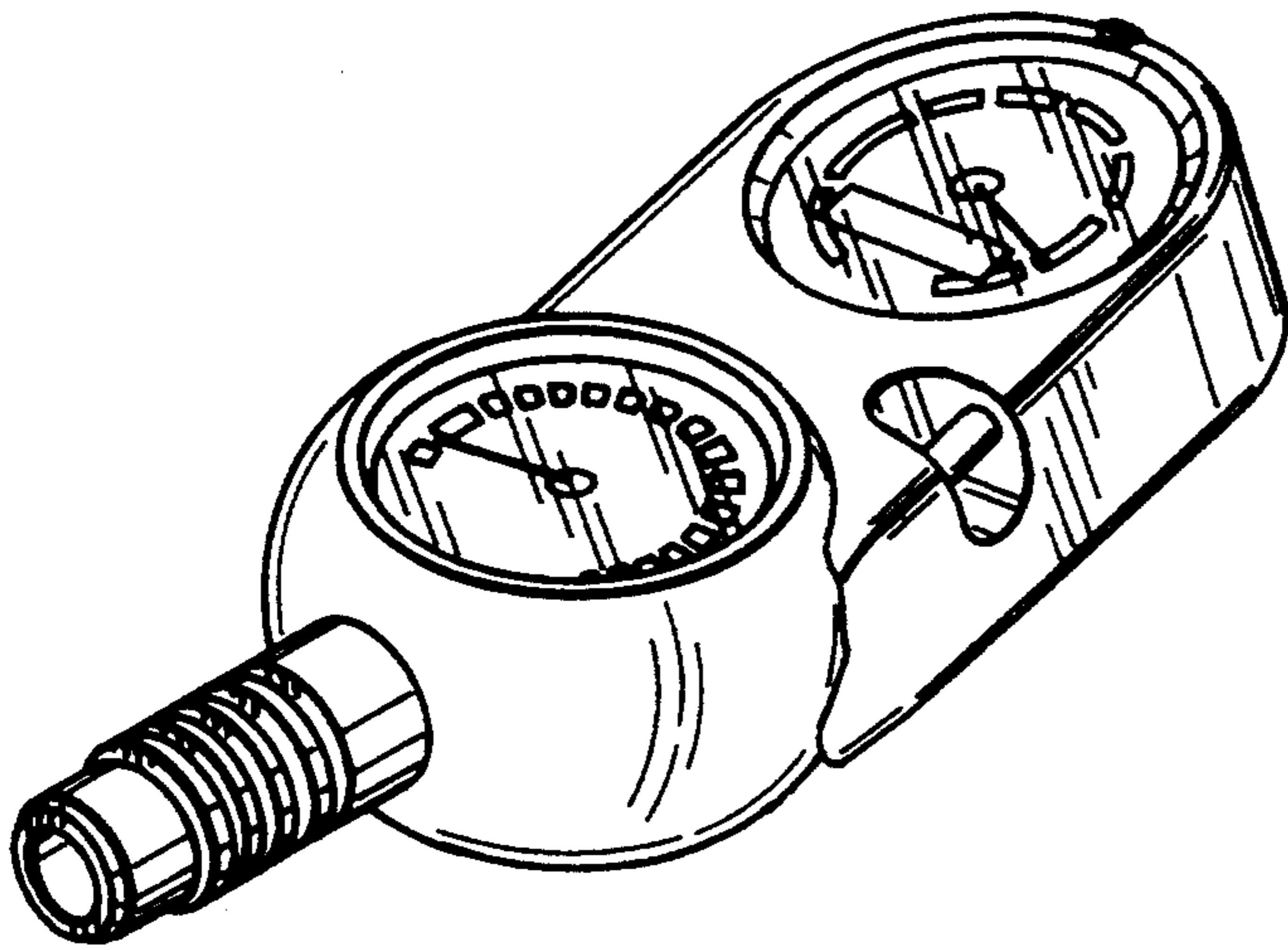


Fig. 1

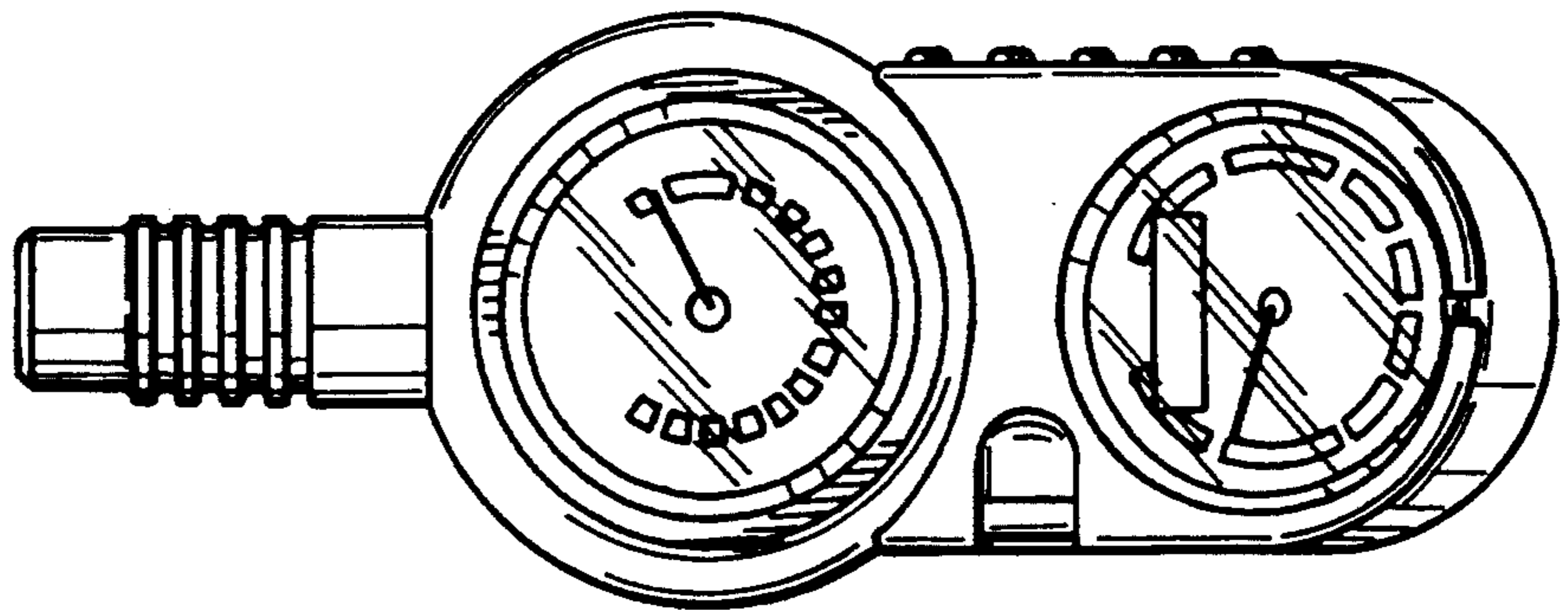


Fig. 2

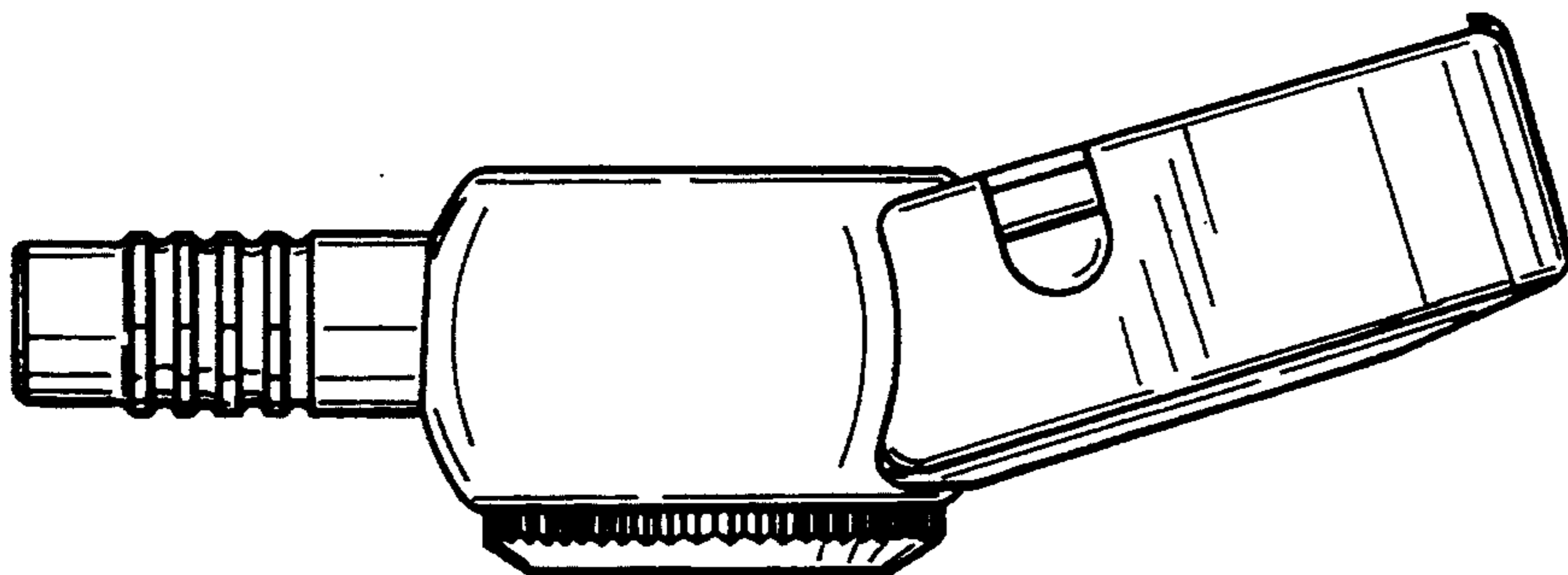


Fig. 3

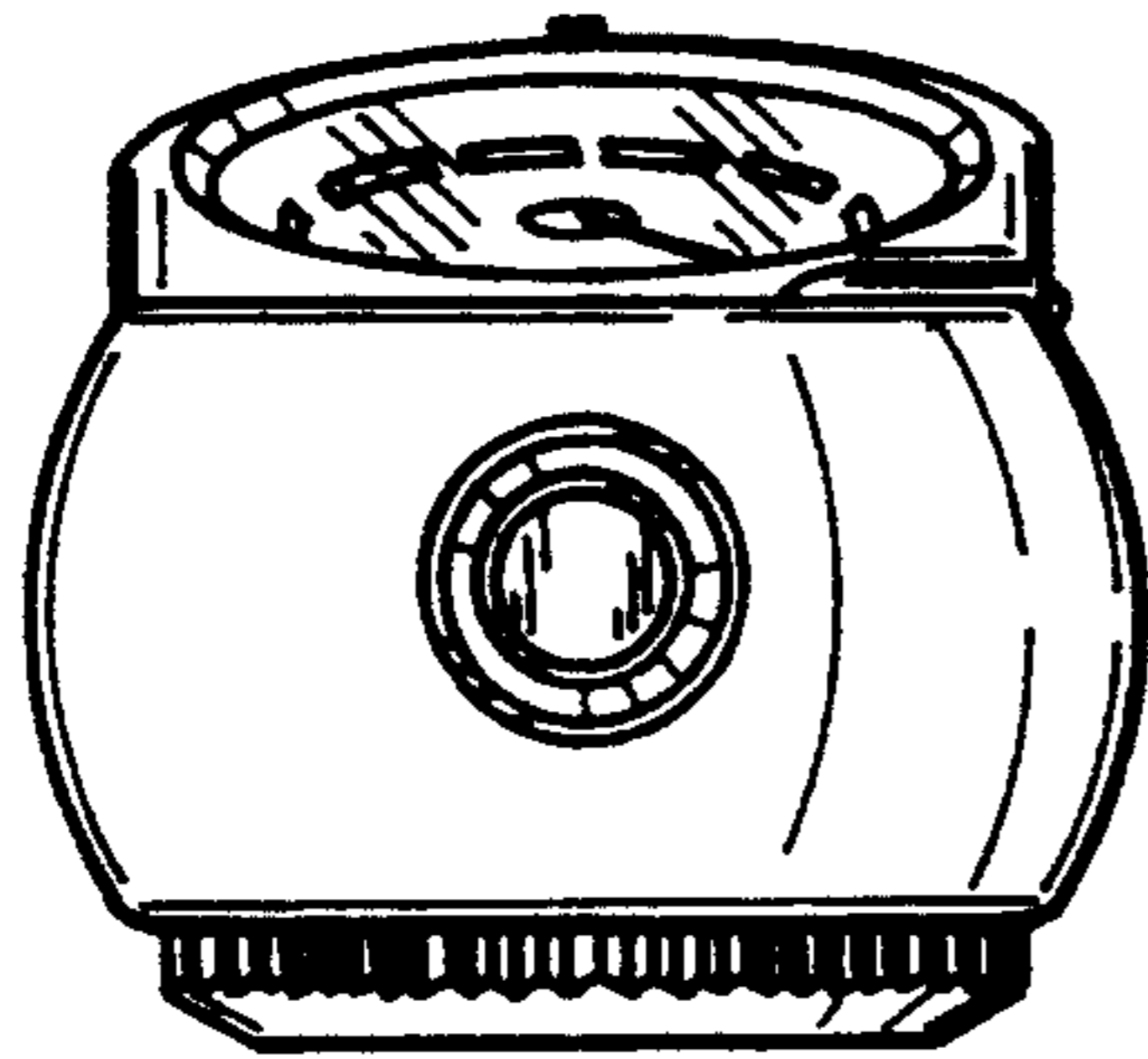


Fig. 4

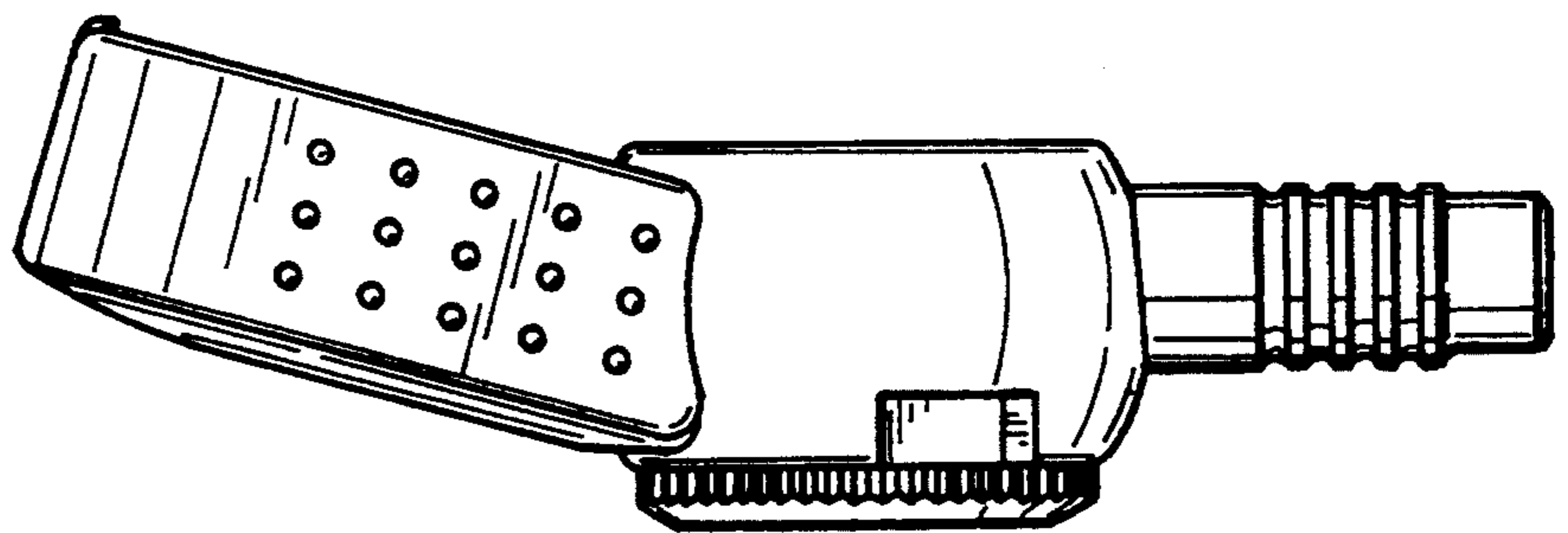


Fig. 5

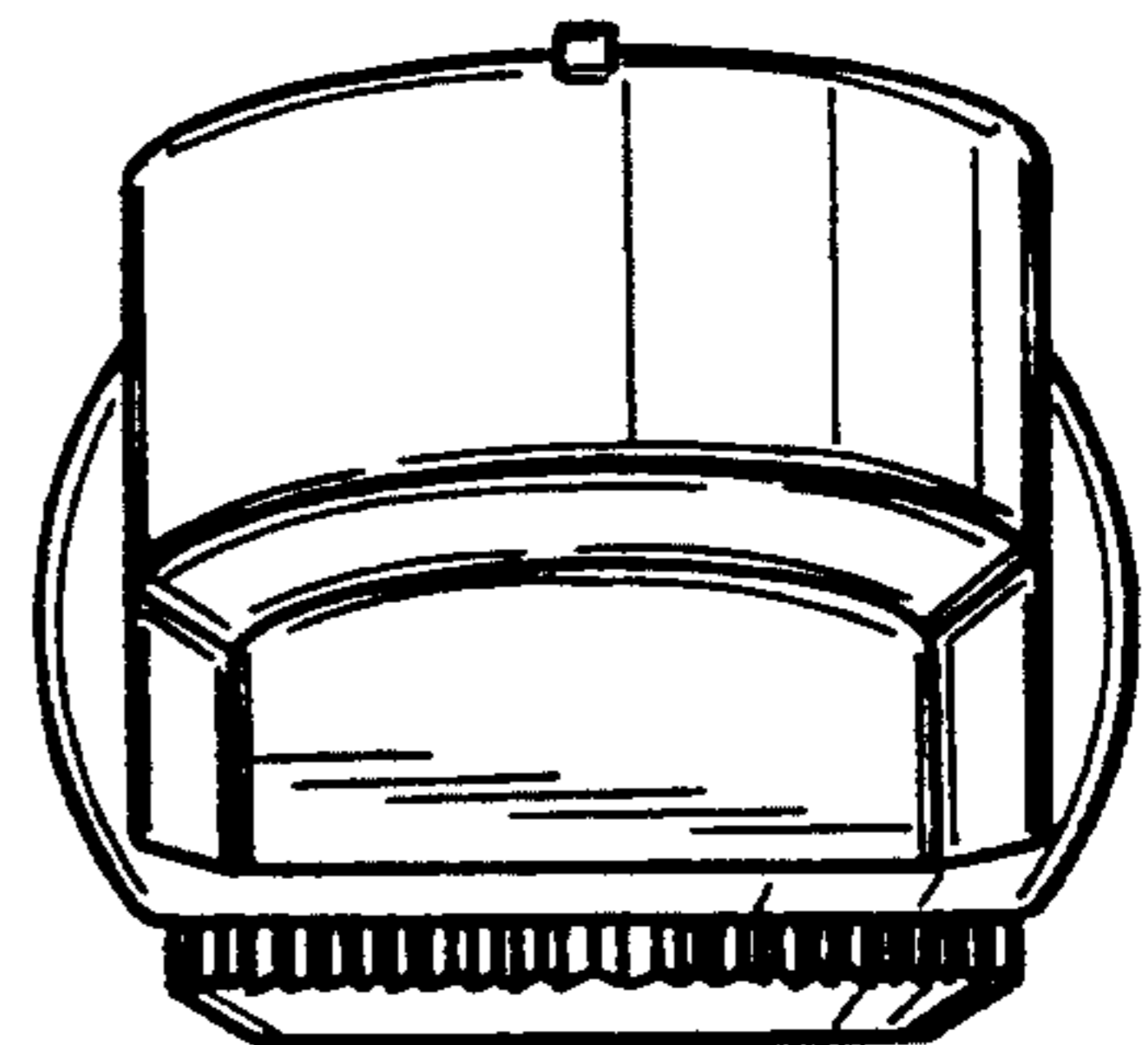


Fig. 6

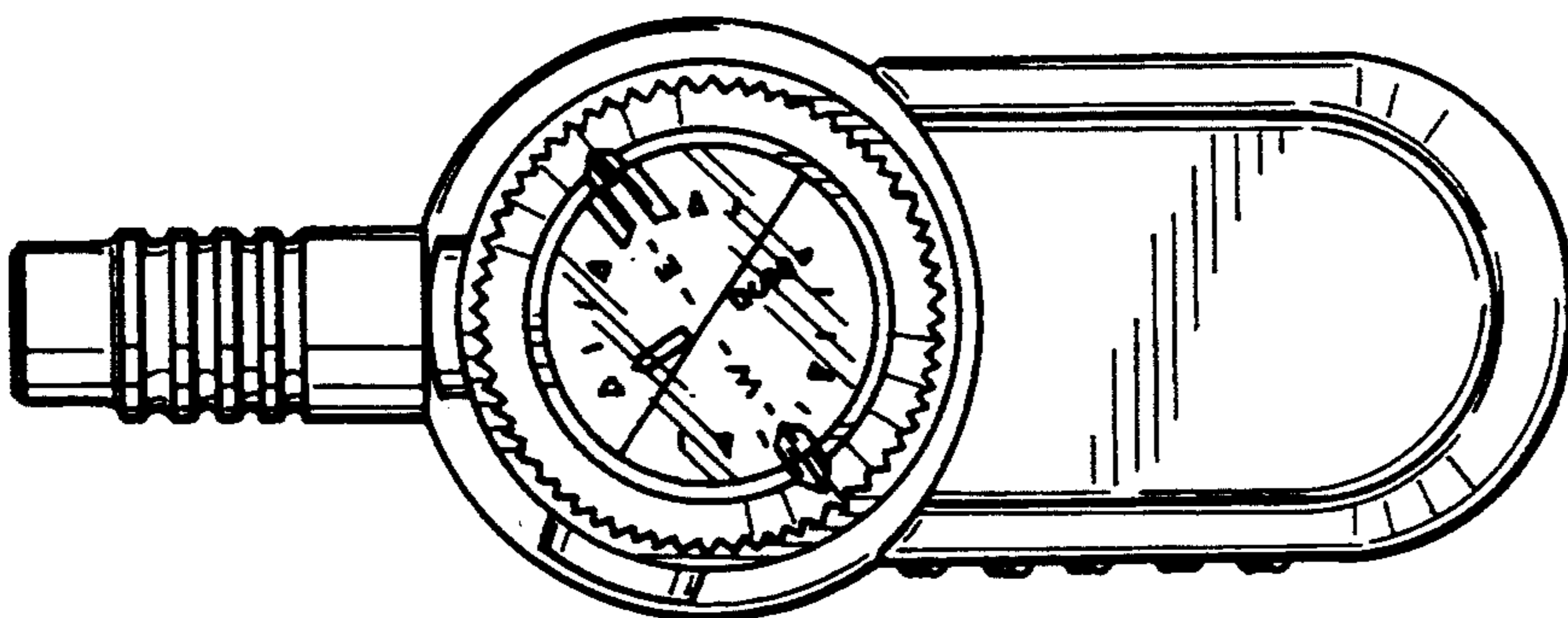


Fig. 7

UNITED STATES PATENT AND TRADEMARK OFFICE
CERTIFICATE OF CORRECTION

PATENT : D351,113
DATED : Oct. 4, 1994
INVENTOR(S) : Frank Hermansen

It is certified that error appears in the above-identified patent and that said Letters Patent is hereby corrected as shown below:

On the title page (21) as 3,956 should read --29/003,856--.

Signed and Sealed this
Seventeenth Day of January, 1995

Attest:



BRUCE LEHMAN

Attesting Officer

Commissioner of Patents and Trademarks