



US00D351103S

United States Patent [19]

Reynolds

[11] Patent Number: **Des. 351,103**

[45] Date of Patent: **** Oct. 4, 1994**

[54] **INVERTED BOTTLE HOLDER**

[76] Inventor: **John S. Reynolds**, 1989 Angelico Cir., Stockton, Calif. 95207

[**] Term: **14 Years**

[21] Appl. No.: **883,404**

[22] Filed: **May 12, 1992**

[52] U.S. Cl. **D9/455; D9/434**

[58] Field of Search **D9/425, 431, 433-435, D9/455-456, 499; 206/149, 151, 157, 562; 220/500, 523-529, 555-556**

3,187,979 1/1963 Skowronski D9/456 X
 3,909,092 9/1975 Kiernan 220/555 X
 4,164,299 8/1979 Fuhr 220/555
 4,428,493 1/1984 McDonough 220/555

Primary Examiner—Alan P. Douglas
Assistant Examiner—R. Spear
Attorney, Agent, or Firm—Basil Travis

[57] CLAIM

The ornamental design for an inverted bottle holder, as shown and described.

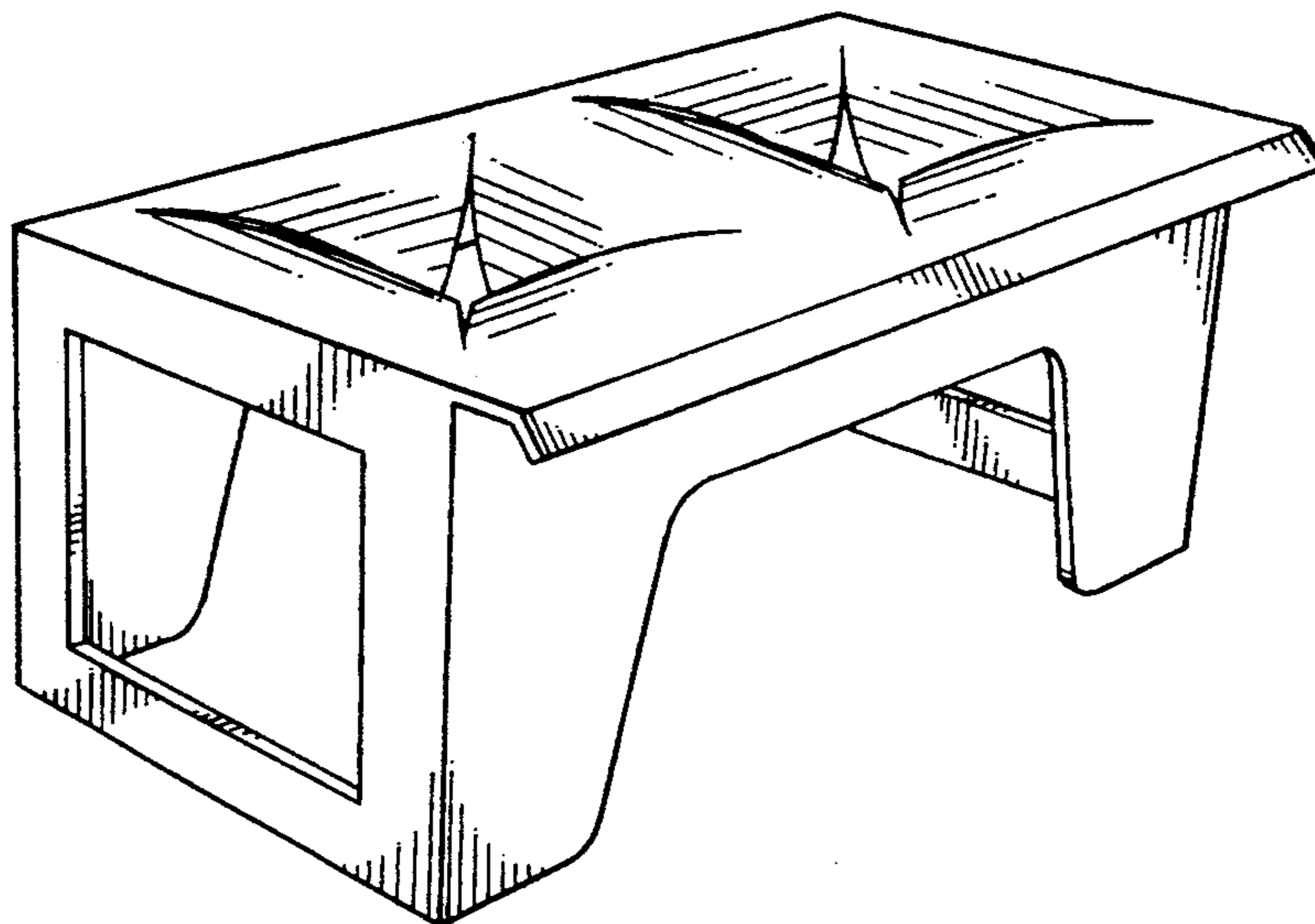
DESCRIPTION

FIG. 1 is a perspective view of an inverted bottle holder showing my new design;
 FIG. 2 is a right side elevational view thereof, the left side elevational view being a mirror image thereof;
 FIG. 3 is a top plan view thereof;
 FIG. 4 is a bottom plan view thereof;
 FIG. 5 is a rear elevational view thereof; and,
 FIG. 6 is a cross-sectional view thereof, taken along line 6—6 in FIG. 3.

[56] References Cited

U.S. PATENT DOCUMENTS

D. 125,151 2/1941 Fagan D9/456
 D. 249,123 8/1978 Dogliotti D9/433
 D. 261,618 11/1981 Oliffe et al. D9/433
 D. 272,288 1/1984 Pfaff D9/432 X
 D. 286,507 11/1986 Drago D9/455 X
 463,492 11/1891 Dean 220/523 X



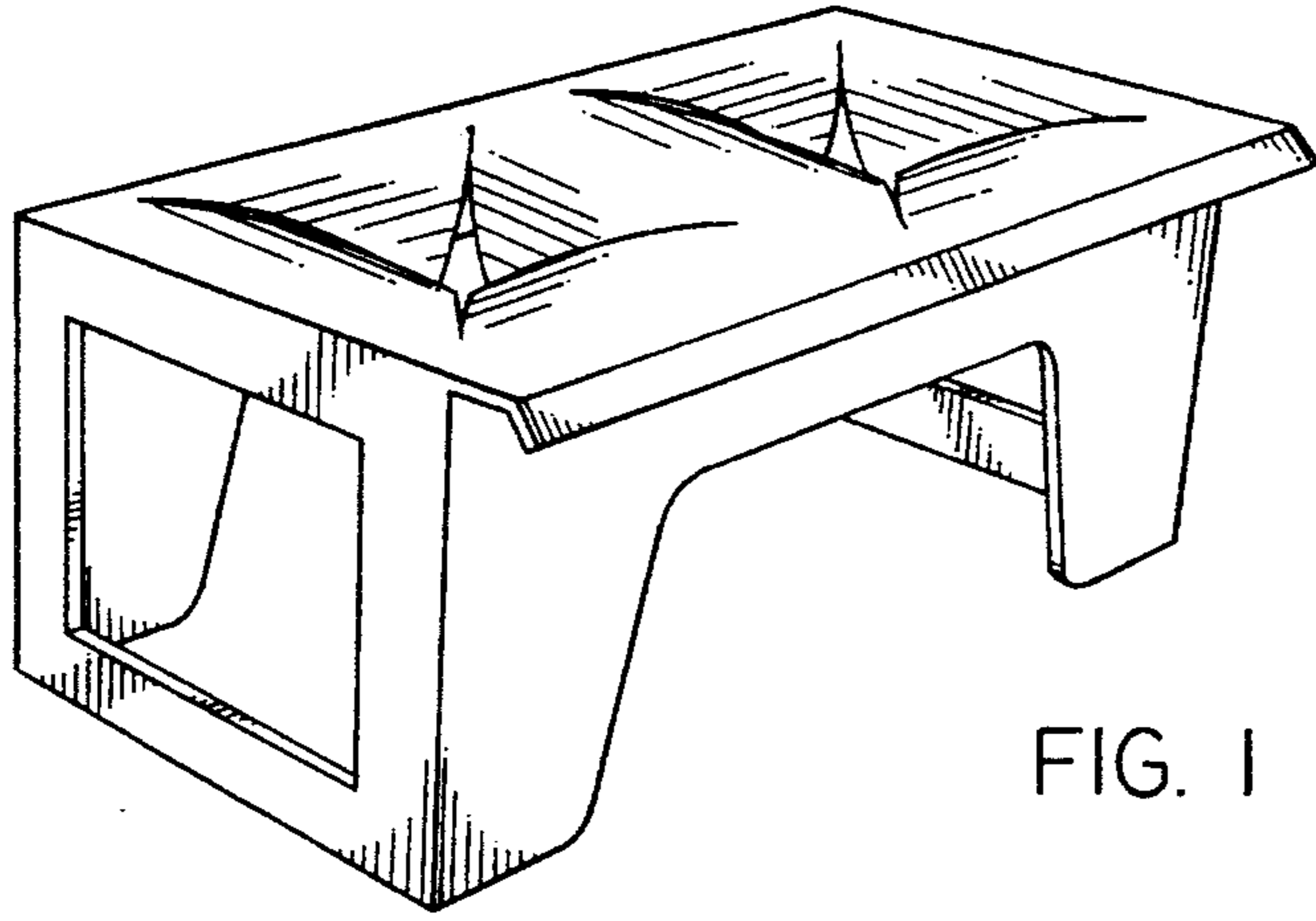


FIG. 1

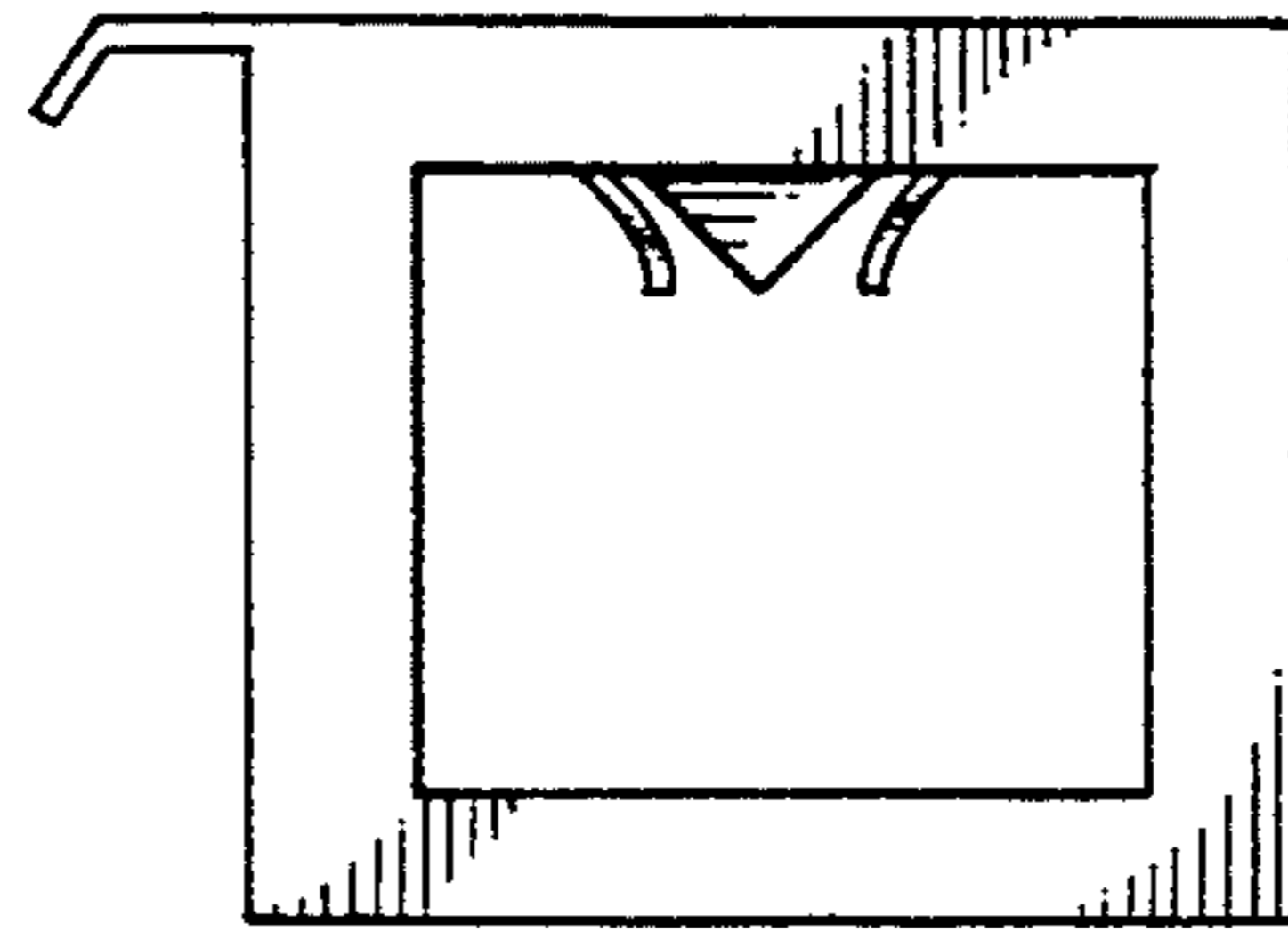


FIG. 2

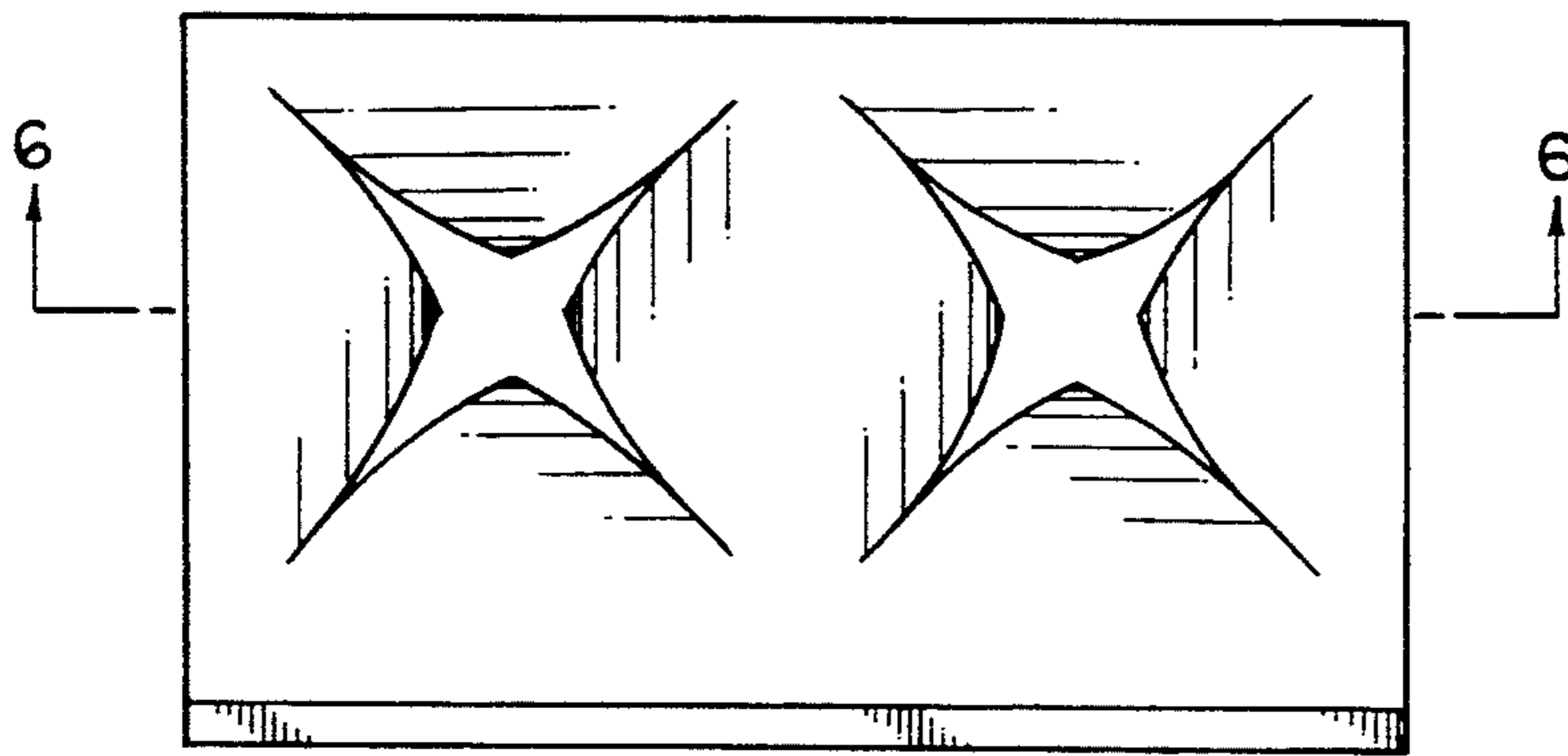
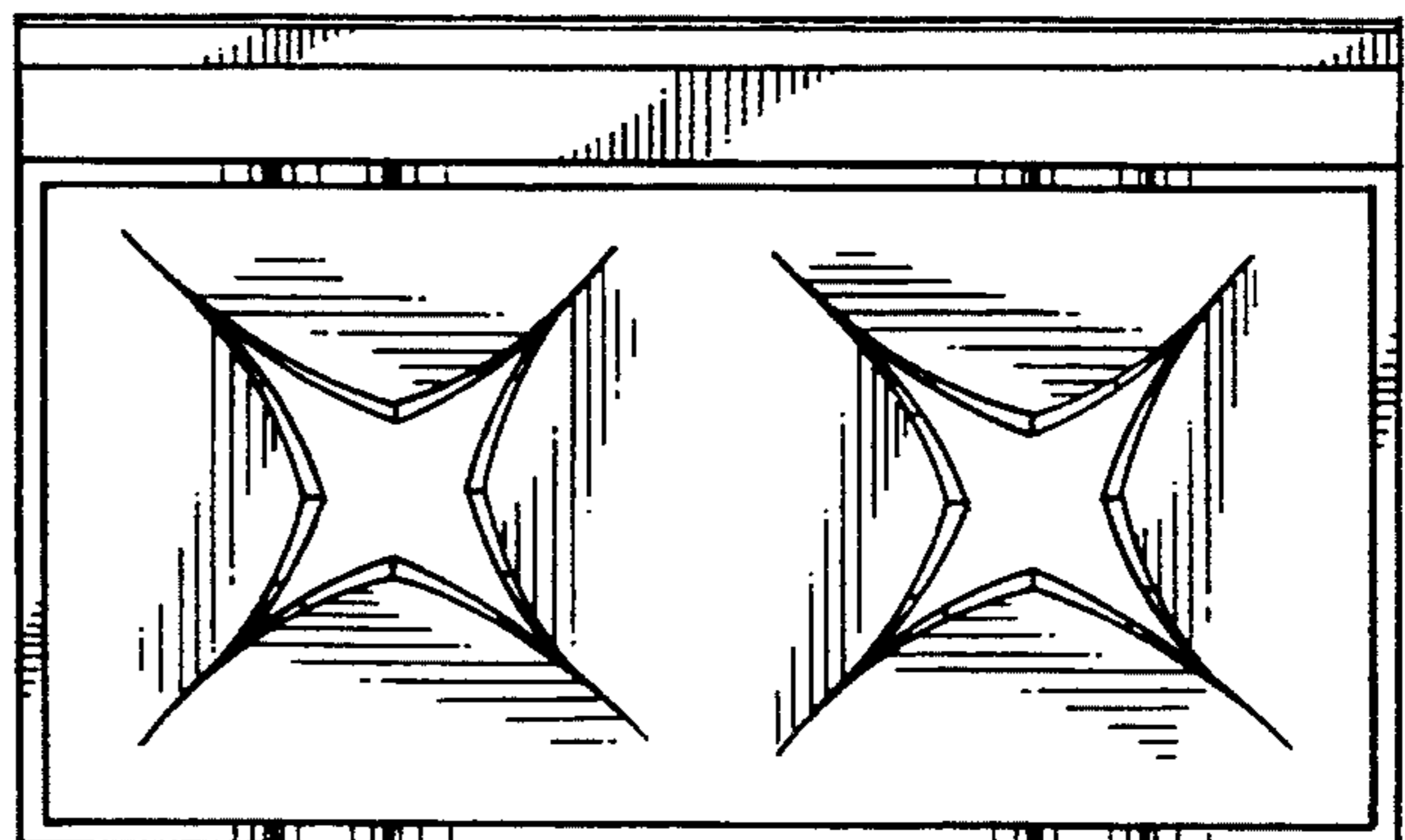


FIG. 3

FIG. 4



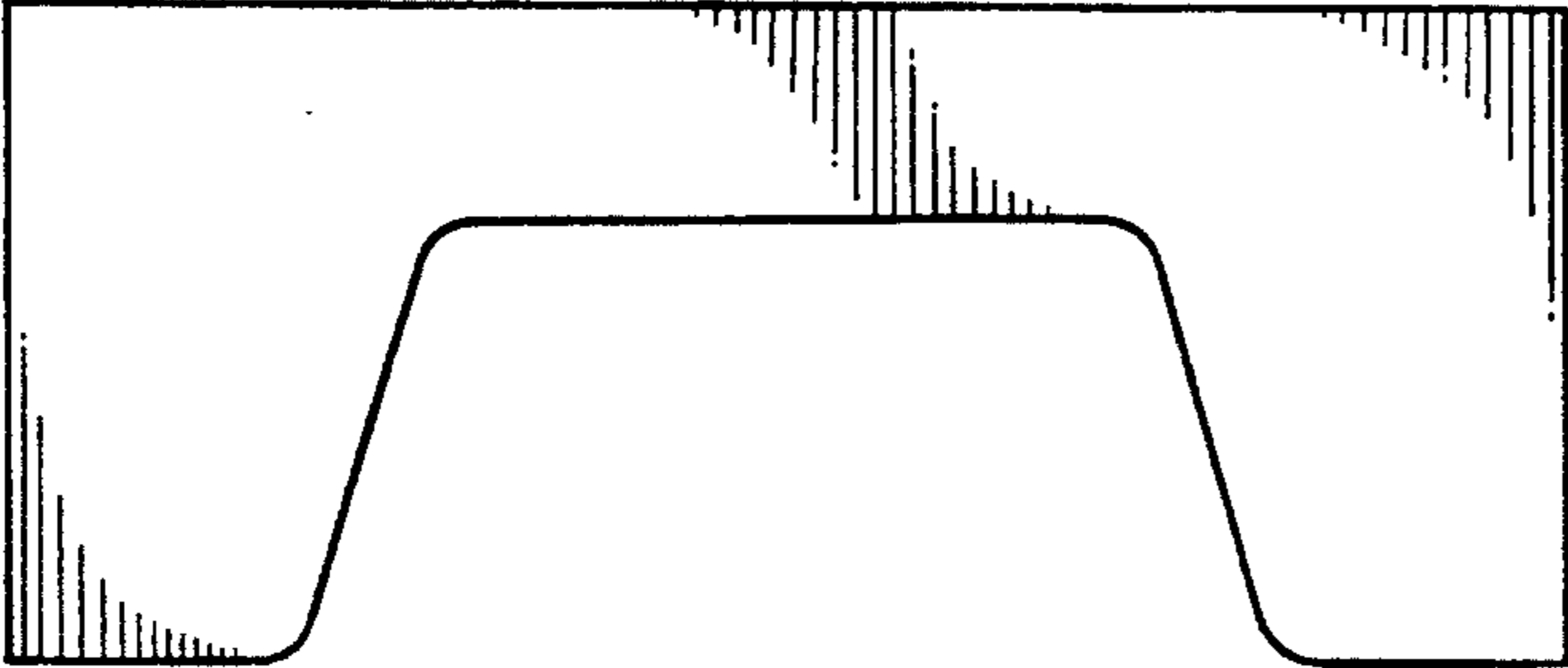


FIG. 5

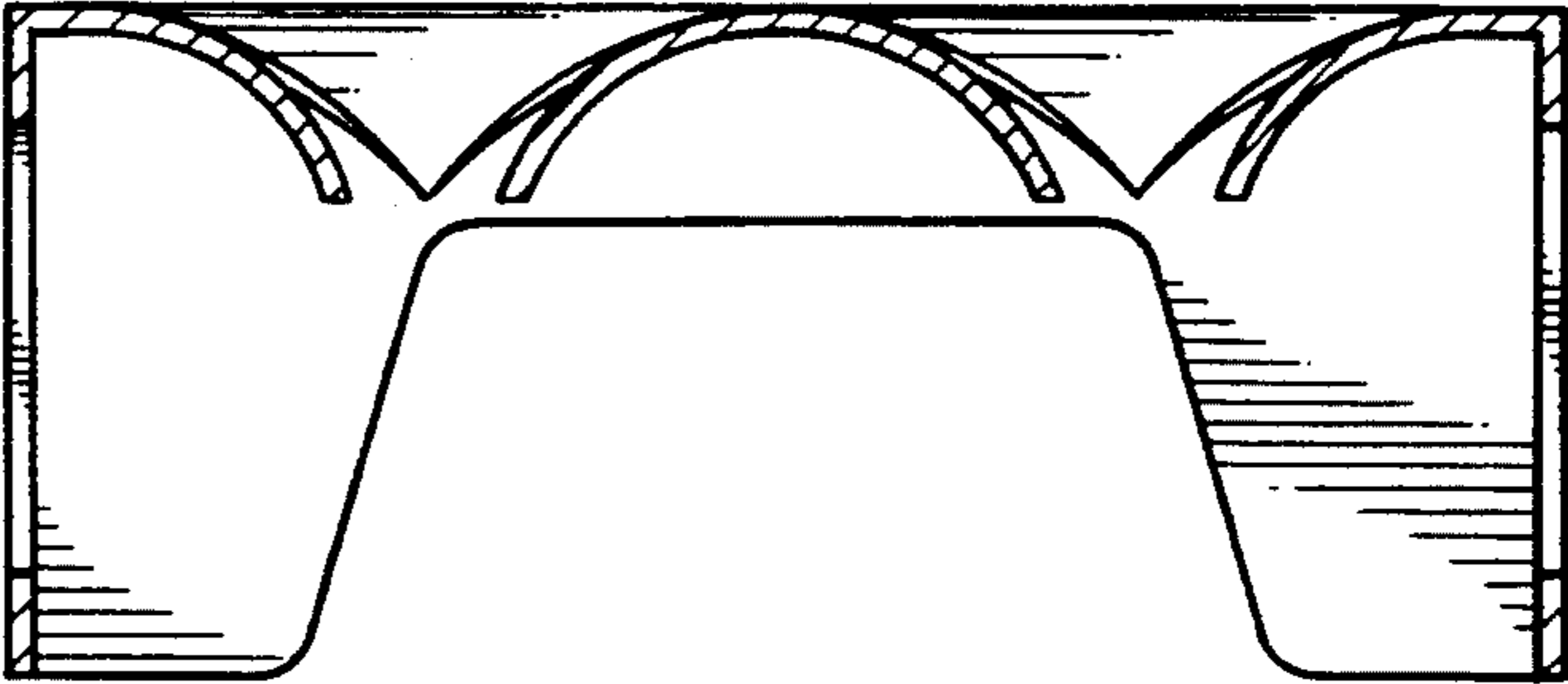


FIG. 6