



US00D351097S

United States Patent [19]
Green

[11] **Patent Number: Des. 351,097**

[45] **Date of Patent: ** Oct. 4, 1994**

[54] **POWERED FLOWER TRIMMER**

[76] **Inventor: Charles H. Green, 252 Sprague Ave., Liberty, N.Y. 12754**

[**] **Term: 14 Years**

[21] **Appl. No.: 11,462**

[22] **Filed: Aug. 5, 1993**

[52] **U.S. Cl. D8/8**

[58] **Field of Search D8/8; 30/276; 56/12.7**

4,924,573 5/1990 Huddleston et al. 30/276
4,928,457 5/1990 Laperle 30/276

Primary Examiner—Wallace R. Burke
Assistant Examiner—H. Baynham
Attorney, Agent, or Firm—Terry M. Gernstein

[57] **CLAIM**

The ornamental design for a powered flower trimmer, as shown and described.

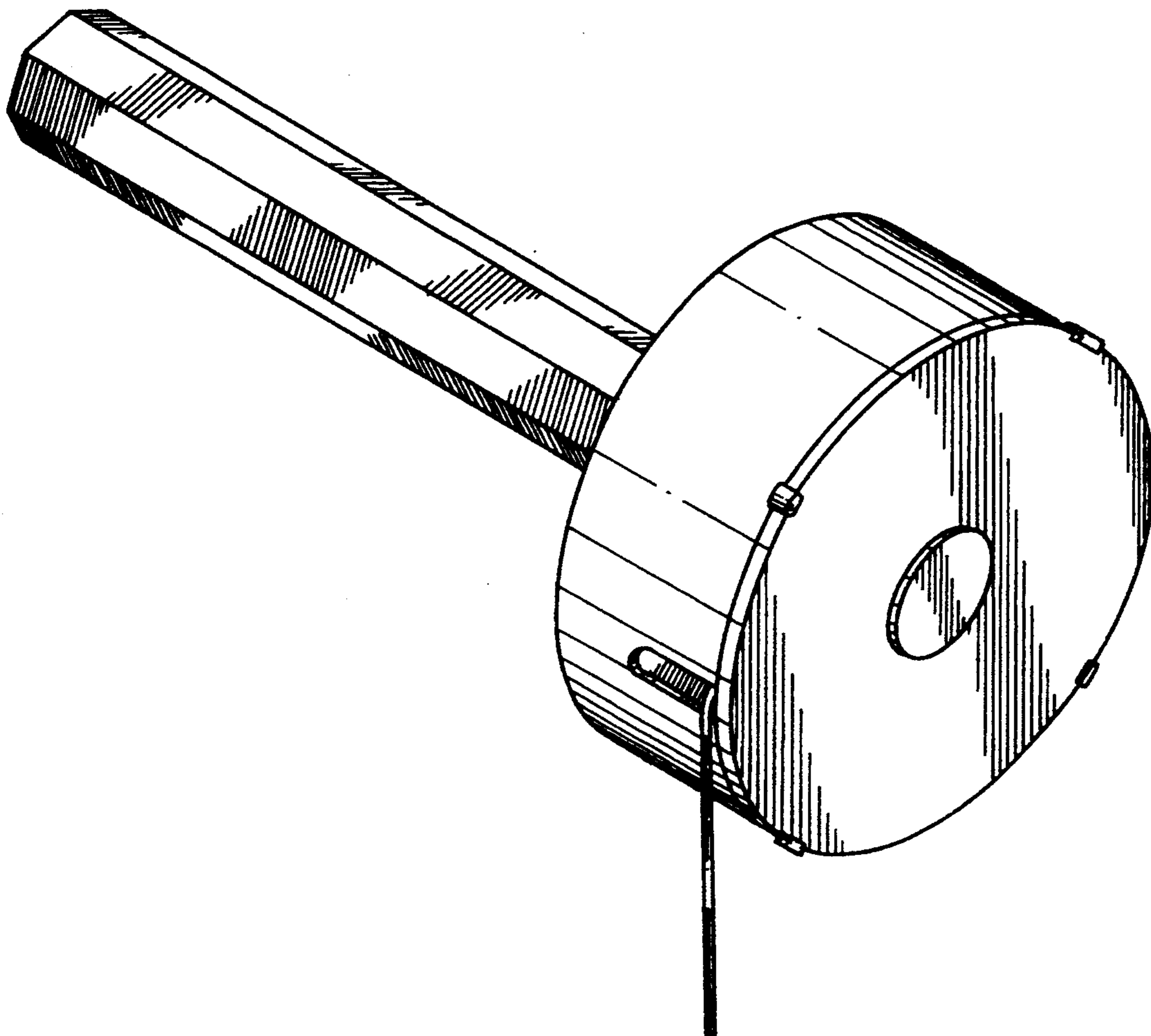
DESCRIPTION

FIG. 1 is a front, top and side perspective view of the powered flower trimmer showing my new design, the trimming cord being shown partially extending from the device;
FIG. 2 is a front elevational view thereof;
FIG. 3 is a rear elevational view thereof;
FIG. 4 is a side elevational view thereof;
FIG. 5 is an opposite side elevational view thereof; and,
FIG. 6 is a top plan view thereof, the bottom view being a mirror image of the top view shown in FIG. 6.

[56] **References Cited**

U.S. PATENT DOCUMENTS

D. 250,745	1/1979	Kuwano	D8/8
D. 252,130	6/1979	Hoff	D8/8
D. 262,512	1/1982	Moore	D8/8
D. 273,169	3/1984	Rahe et al.	D8/8
D. 298,905	12/1988	Petherick et al.	D8/8
4,672,798	6/1987	Ota	56/12.7
4,899,446	2/1990	Akiba et al.	30/276



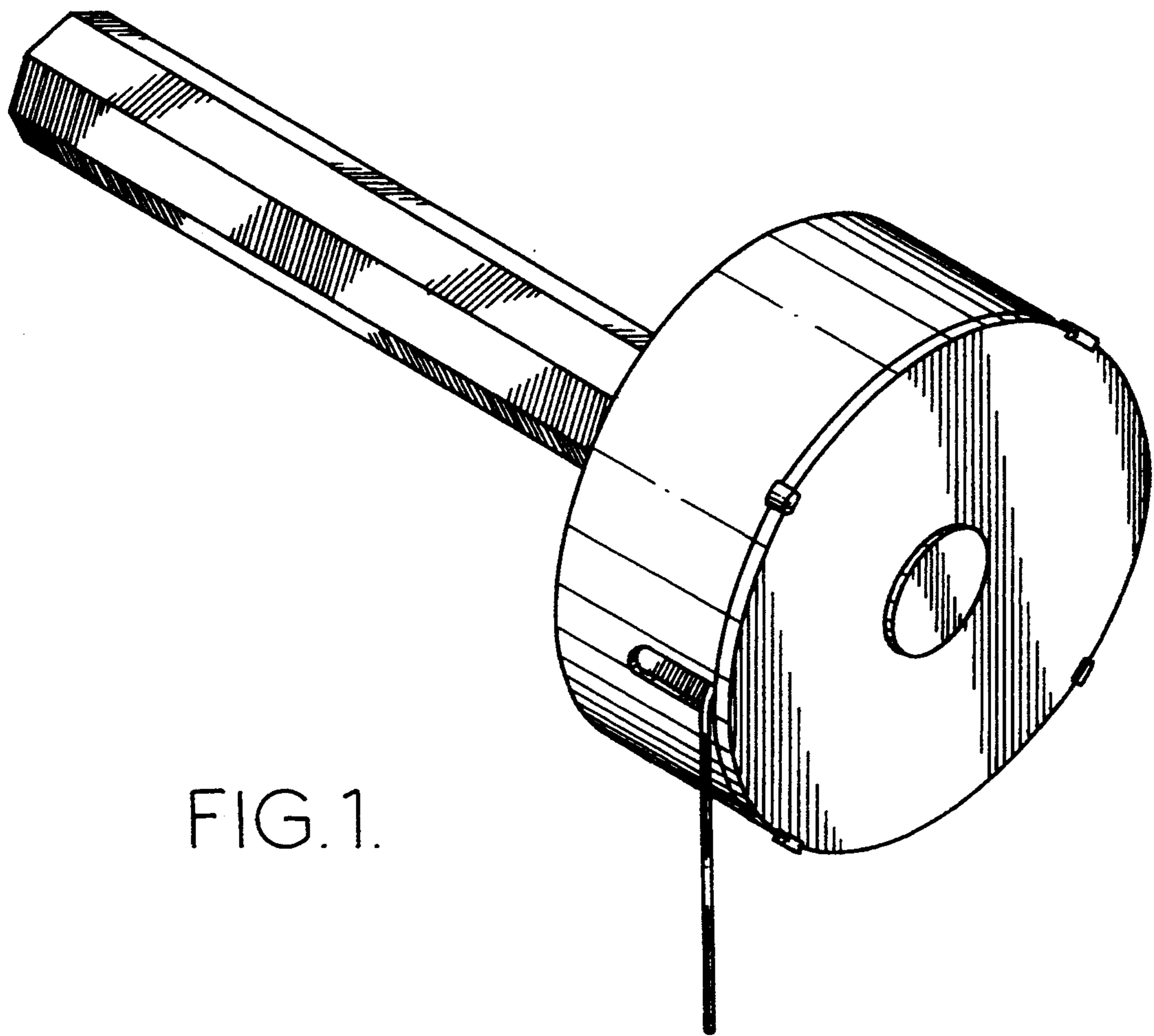


FIG. 1.

FIG. 2.

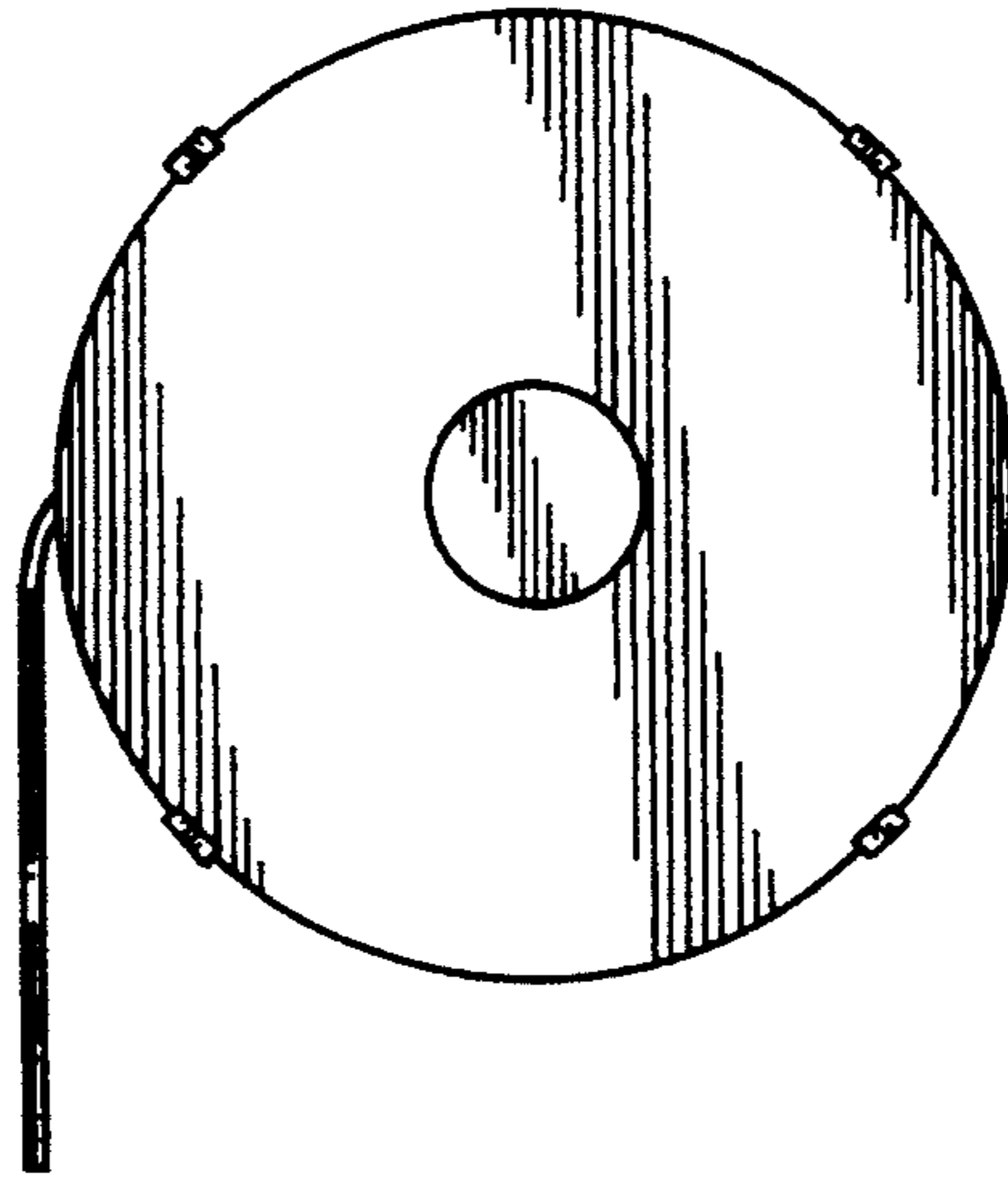


FIG. 3.

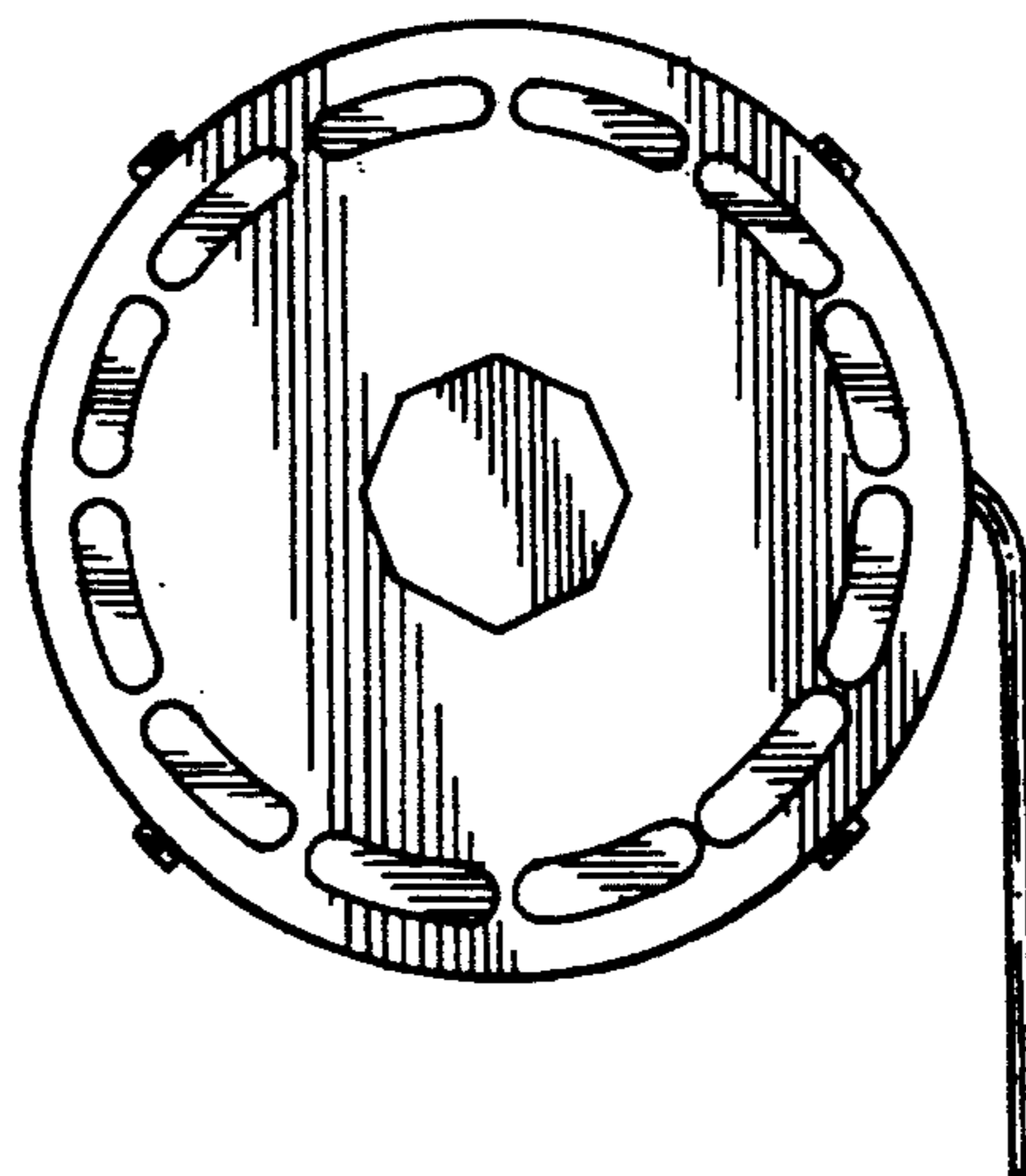


FIG. 4.

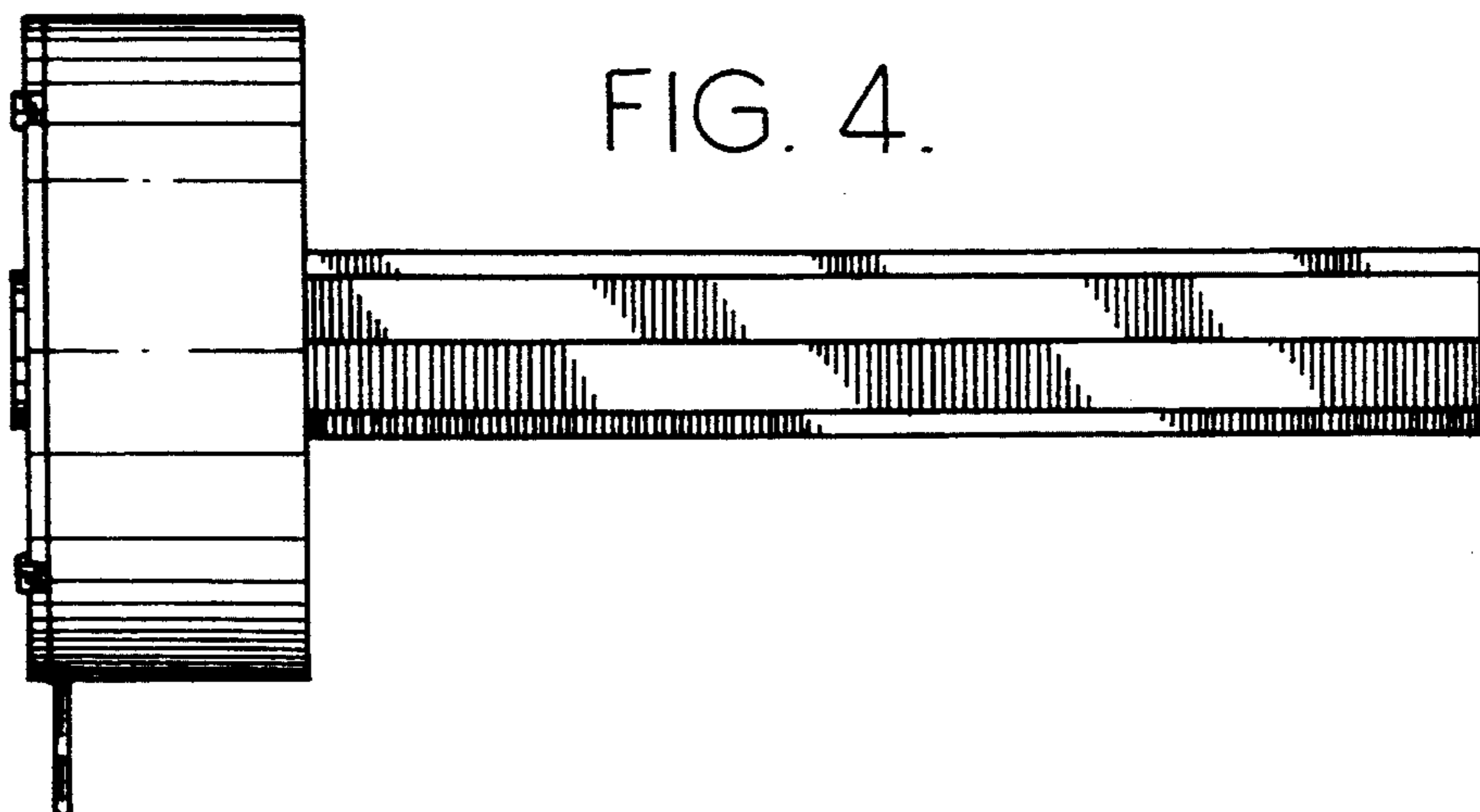


FIG. 5.

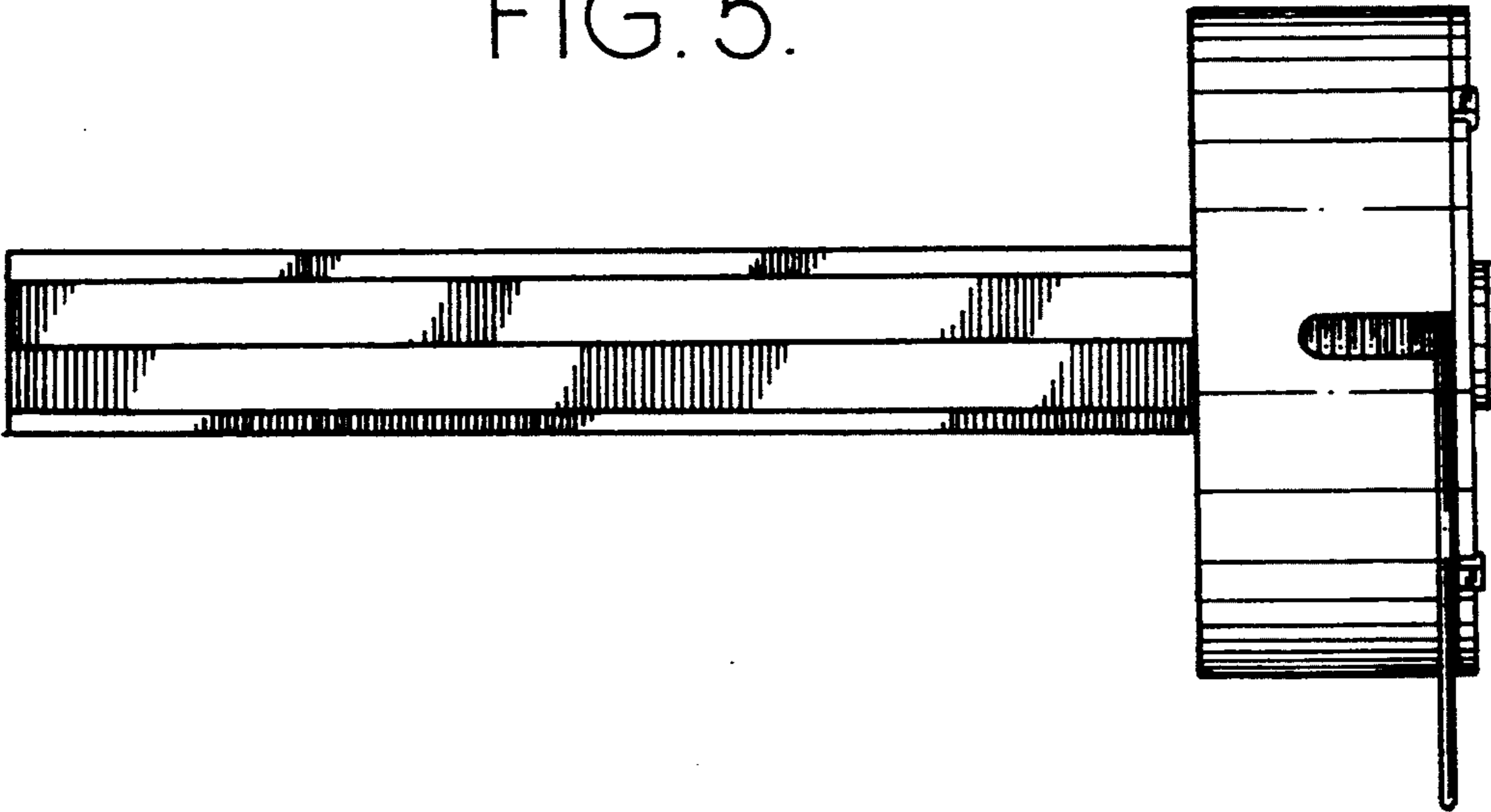


FIG. 6.

