



US00D351096S

United States Patent [19]

Gierke

[11] Patent Number: Des. 351,096

[45] Date of Patent: ** Oct. 4, 1994

[54] **HEDGE TRIMMER**

[75] Inventor: **Martin P. Gierke**, Baltimore, Md.

[73] Assignee: **Black & Decker Inc.**, Newark, Del.

[**] Term: **14 Years**

[21] Appl. No.: **864,000**

[22] Filed: **Apr. 6, 1992**

[52] U.S. Cl. **D8/8**

[58] Field of Search **D8/8; 30/208-210, 30/228**

[56] **References Cited**

U.S. PATENT DOCUMENTS

D. 285,894	9/1986	Kawakami et al.	D8/8
D. 301,961	7/1989	Narisue et al.	D8/8
D. 307,098	4/1990	Clivio	D8/8
D. 311,121	10/1990	Pilatowicz et al.	D8/8
D. 313,538	1/1991	Fushiya et al.	D8/8
D. 320,145	9/1991	Clivio	D8/8
D. 323,770	2/1992	Alsup et al.	D8/8
D. 323,771	2/1992	Alsup et al.	D8/8
D. 333,953	3/1993	Miyoshi et al.	D8/8
3,193,925	7/1965	Hawley	30/210
4,449,062	5/1984	Wilson .	
4,592,142	6/1986	Schnizler	30/210
5,150,523	9/1992	McCurry	30/228

OTHER PUBLICATIONS

Smith and Hawken, Spring 1987, p. 38, garden trimmer, item a at top of page.

Black & Decker Catalog (1989-90), Lawn & Garden Products p. 8, plus Cover Page and Back Cover Page.

Primary Examiner—Wallace R. Burke

Assistant Examiner—H. Baynham

Attorney, Agent, or Firm—Charles E. Yocum; John D. Del Ponti; Dennis A. Dearing

[57] **CLAIM**

The ornamental design for a hedge trimmer, as shown and described.

DESCRIPTION

FIG. 1 is an end perspective view of a hedge trimmer showing my new design;

FIG. 2 is an opposite end perspective view thereof;

FIG. 3 is a side view thereof;

FIG. 4 is an opposite side view thereof;

FIG. 5 is a top plan view thereof;

FIG. 6 is a bottom plan view thereof;

FIG. 7 is a front elevational view thereof; and,

FIG. 8 is a rear elevational view thereof.

The broken line showing of a blade is for illustrative purposes only and forms no part of the claimed design.

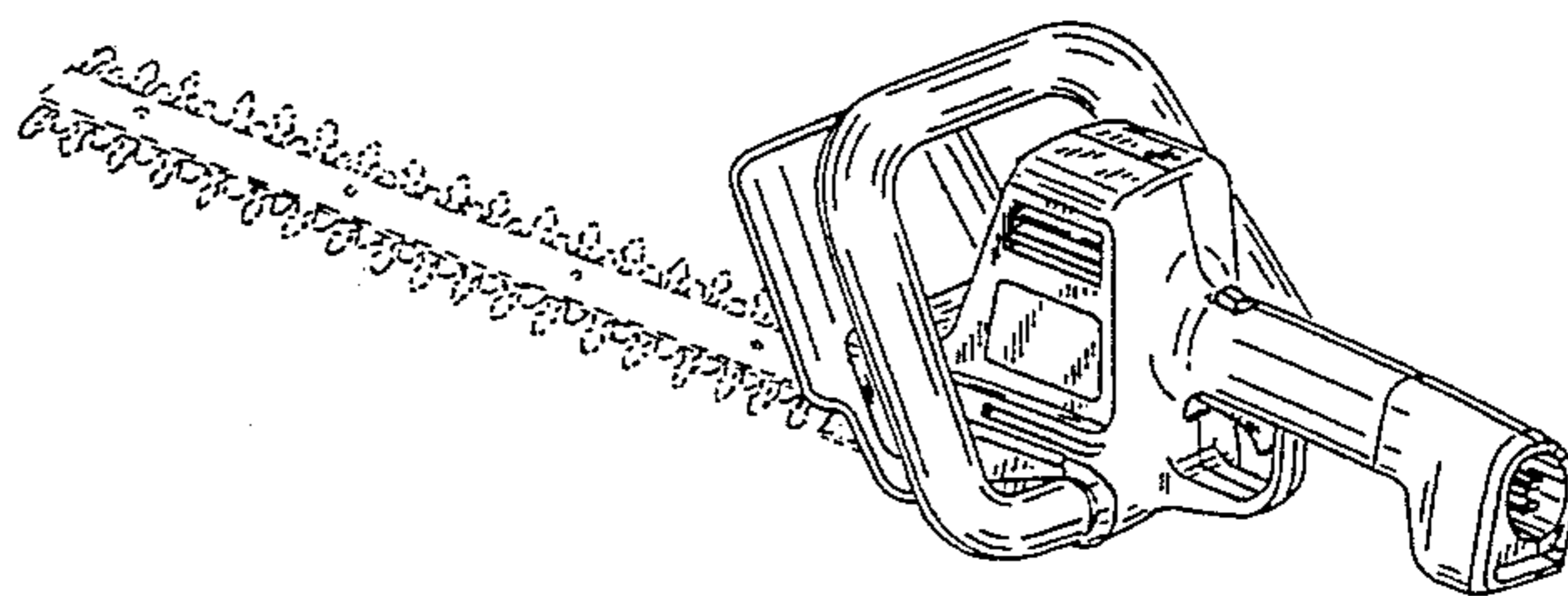
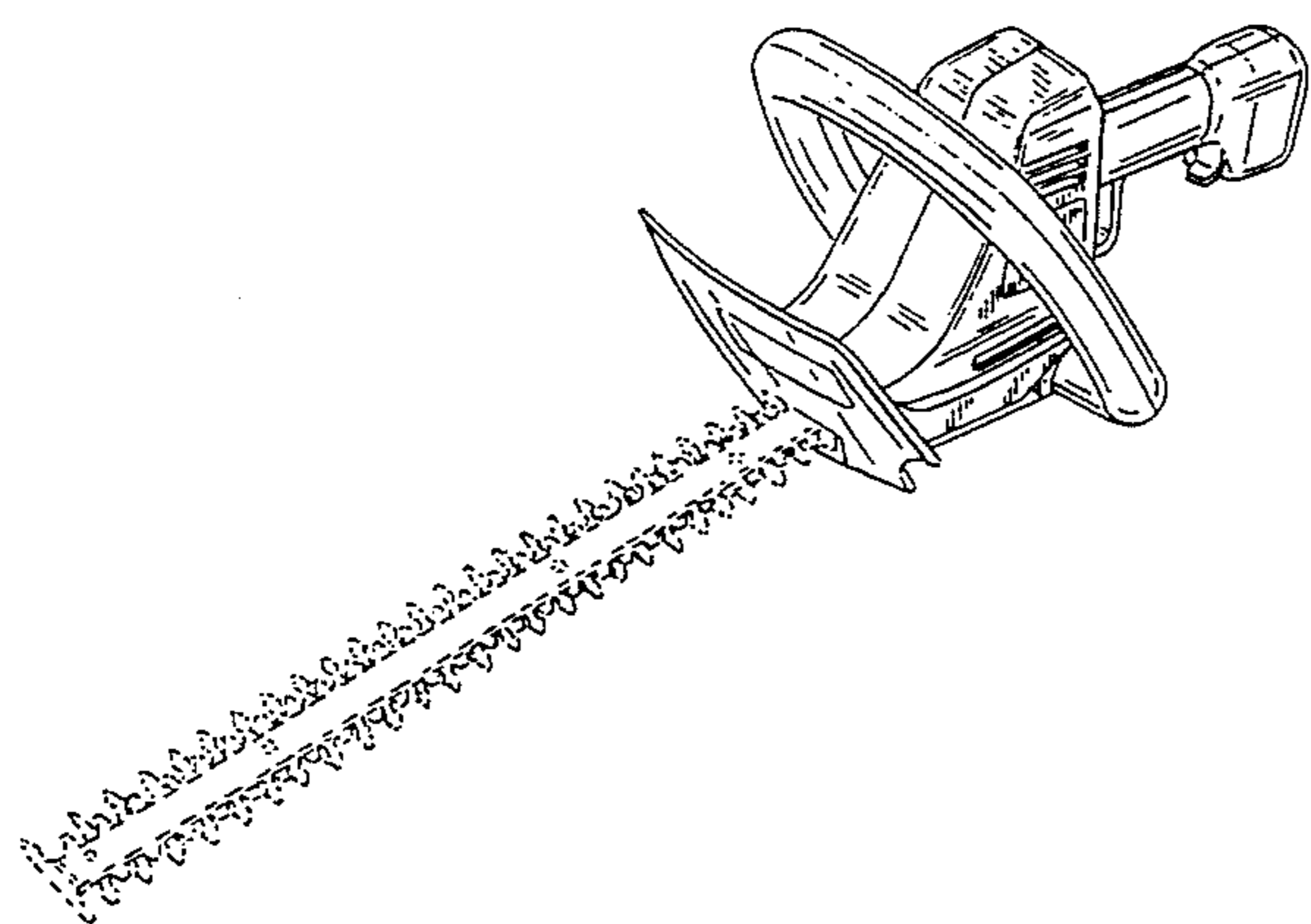


FIG. 1

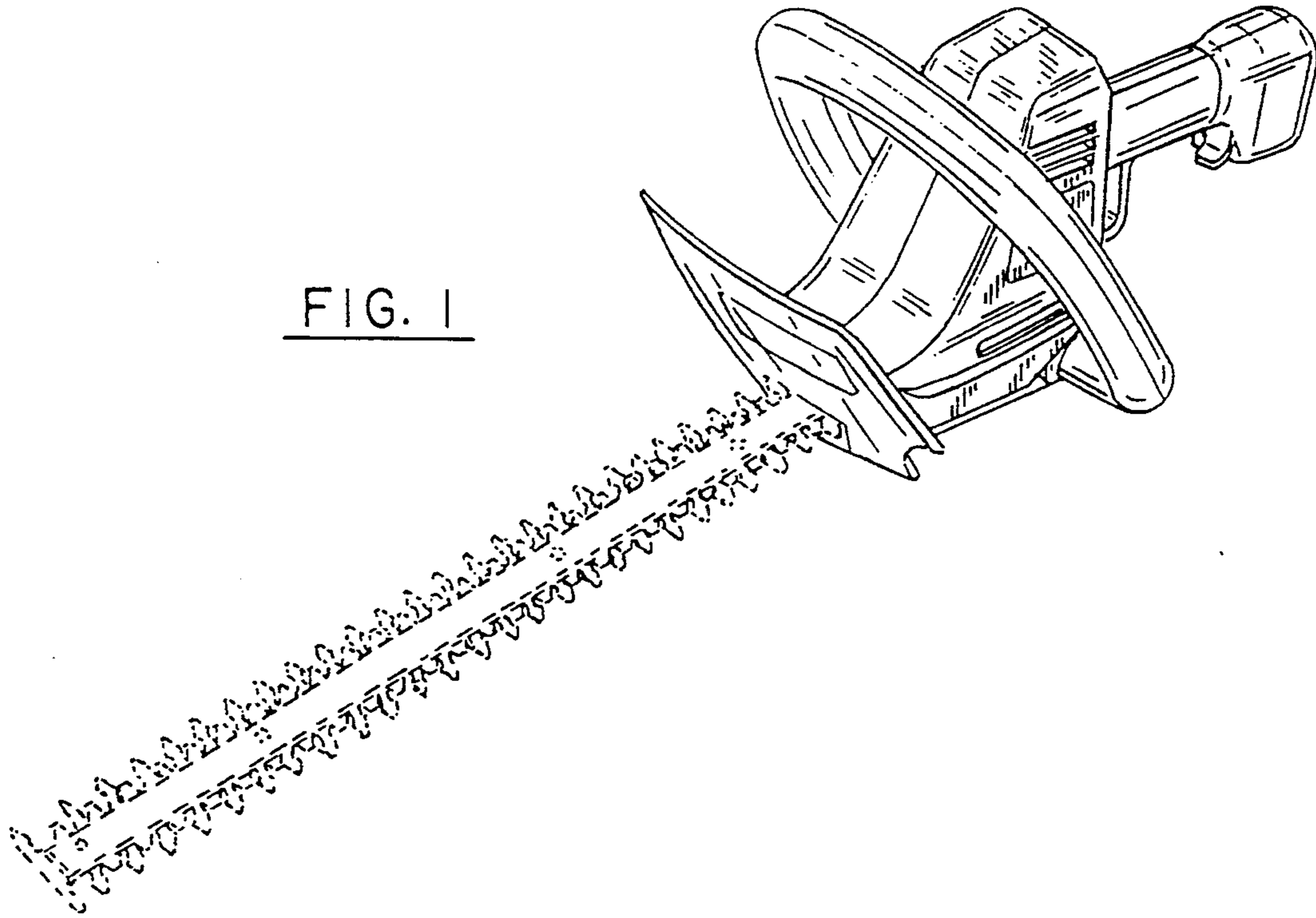
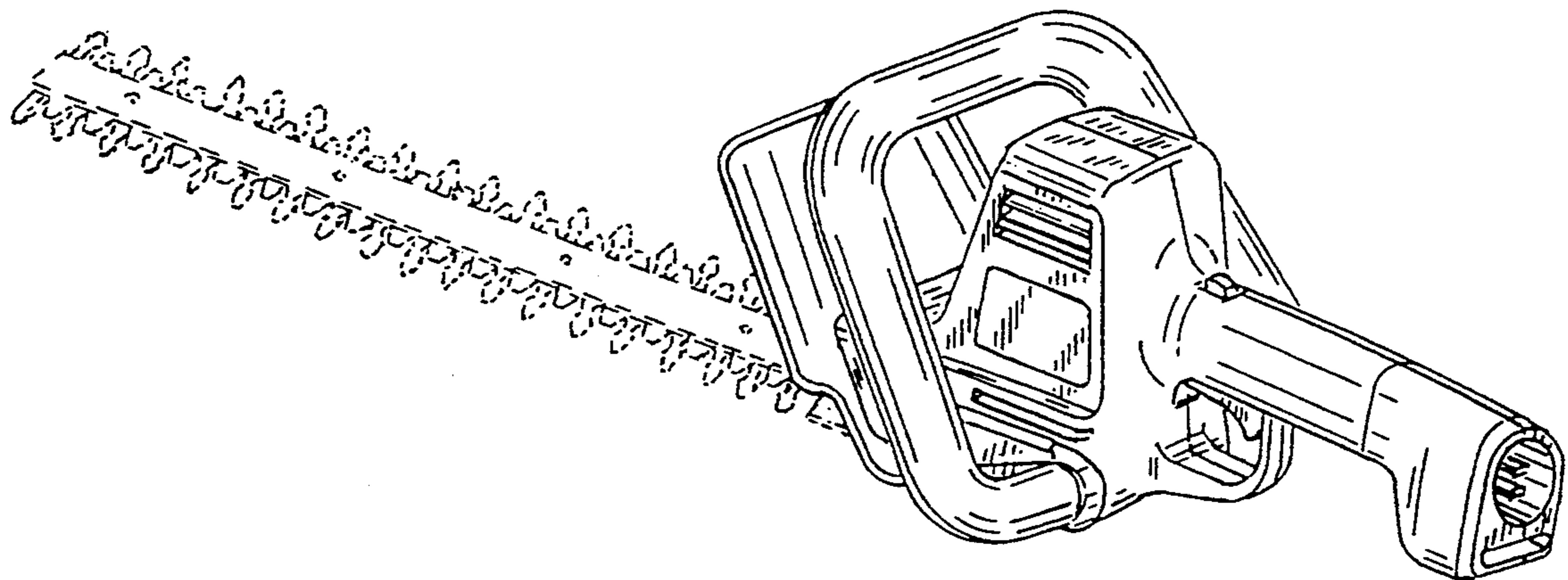


FIG. 2



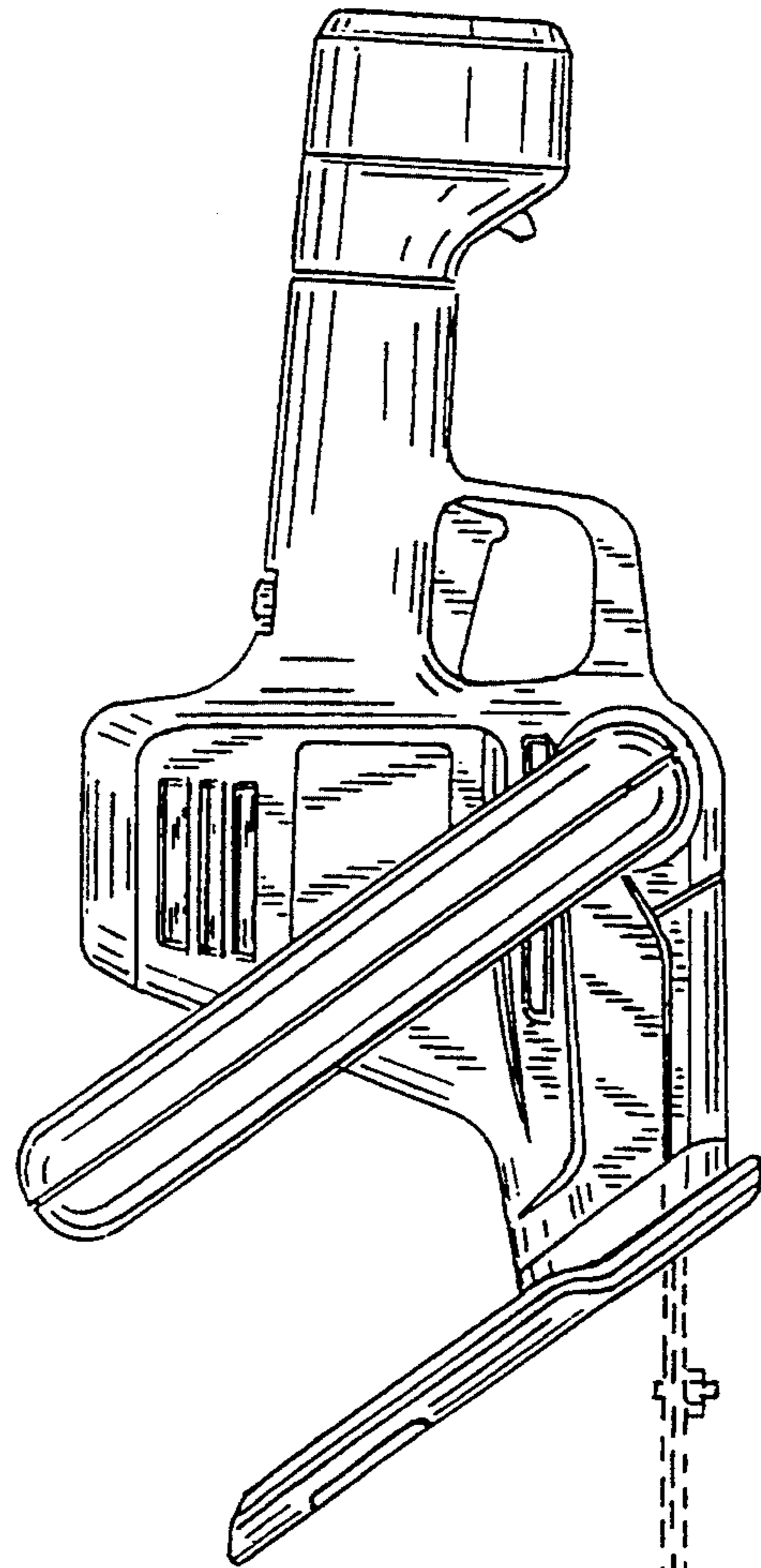
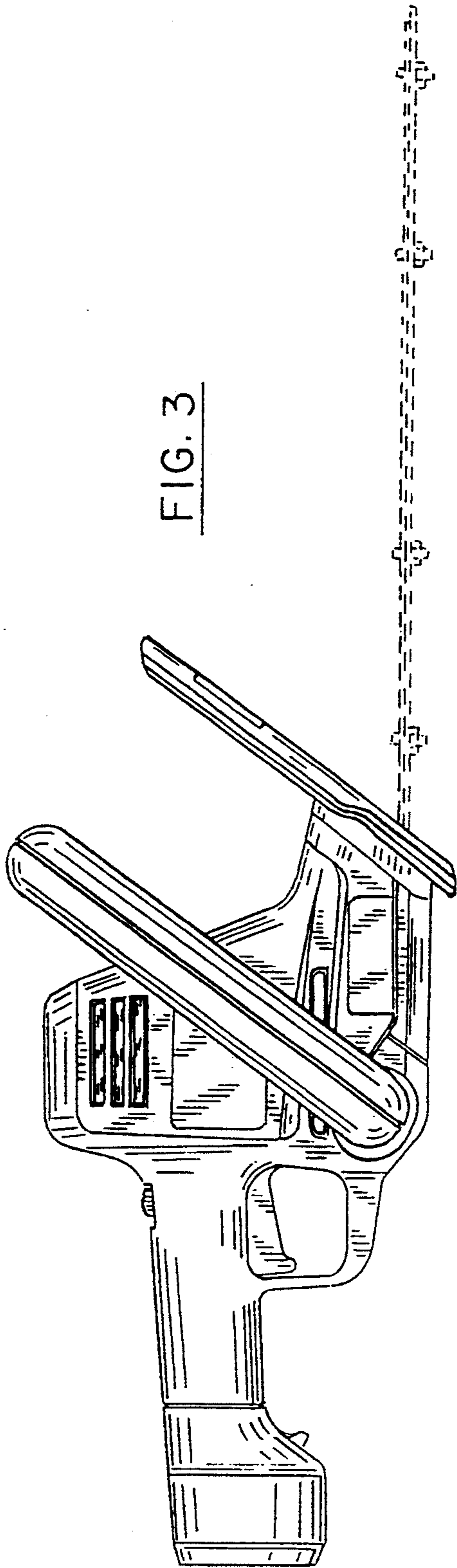


FIG. 5

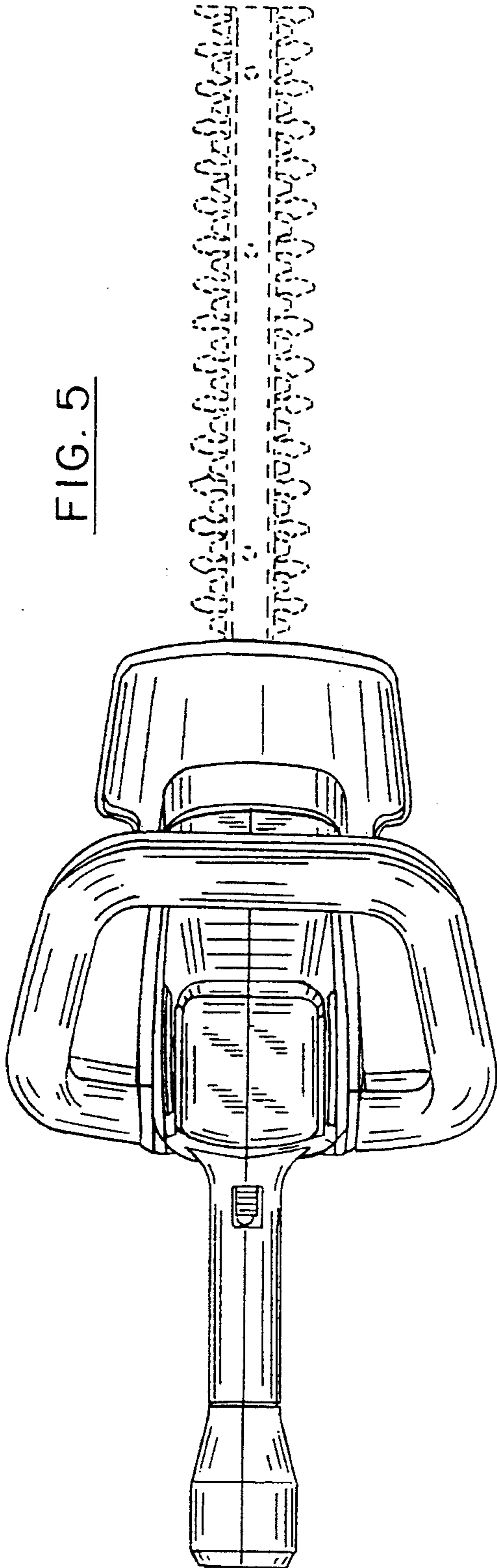


FIG. 6

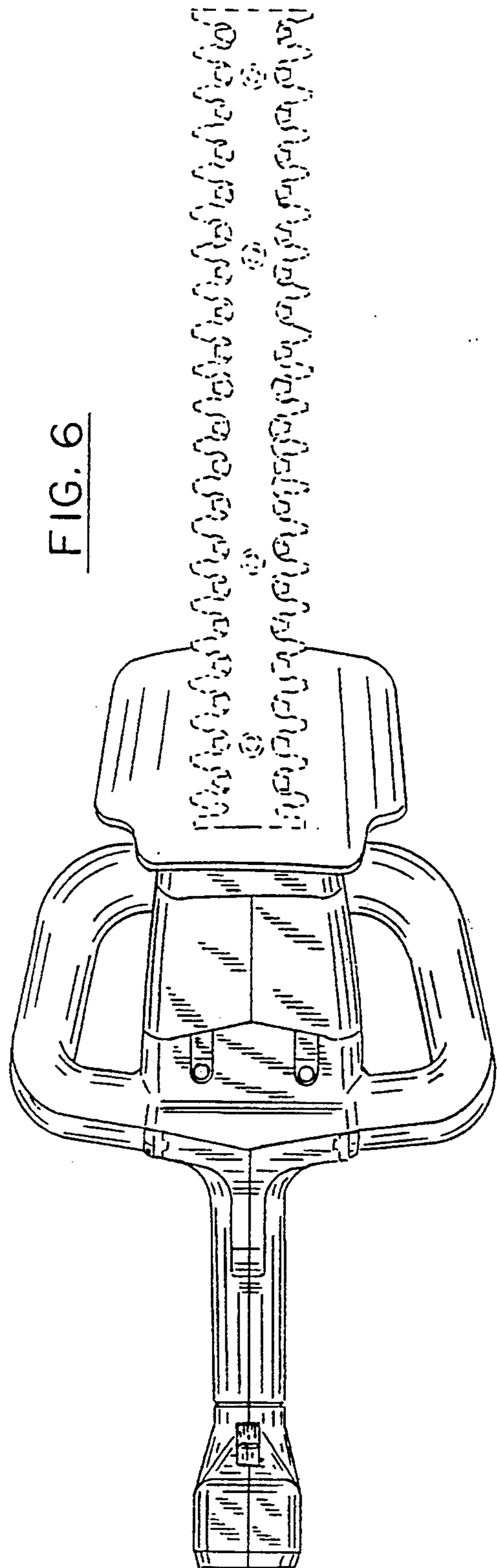


FIG. 8

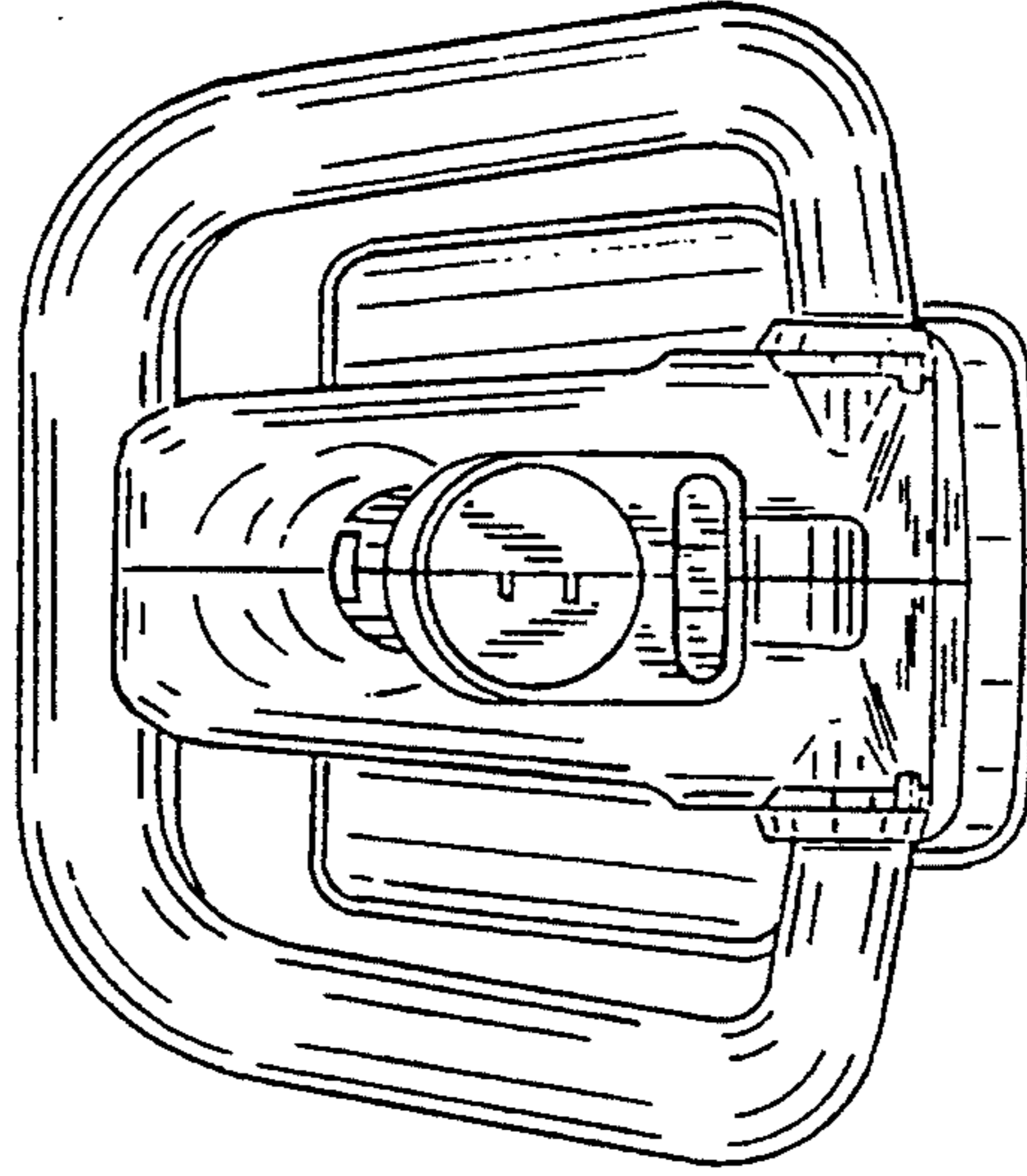


FIG. 7

