



US00D351093S

United States Patent [19]

[11] Patent Number: **Des. 351,093**

Calcaterra

[45] Date of Patent: **** Oct. 4, 1994**

[54] ICE CREAM TUB HOLDER

Attorney, Agent, or Firm—Lothrop & West

[76] Inventor: **Thomas J. Calcaterra**, 1141 West Swain Rd. - No. 132, Stockton, Calif. 95207

[57] CLAIM

The ornamental design for an ice cream tub holder, as shown and described.

[**] Term: **14 Years**

DESCRIPTION

[21] Appl. No.: **9,569**

FIG. 1 is an isometric perspective of an ice cream tub holder, showing my new design; FIG. 2 is a front elevational view thereof, the rear elevation being a mirror image; FIG. 3 is an elevational view of one side thereof, the opposite side elevation being a mirror image; FIG. 4 is a top plan view thereof; FIG. 5 is a bottom plan view thereof; and, FIG. 6 is a view similar to FIG. 2 but with the eccentric cams on one side rotated outwardly for engagement with the adjacent side wall of holder receptacle. The broken lines representing a receptacle side wall and bottom as well as the two vertical broken lines representing adjacent ice cream tub walls are included solely to illustrate the environment and form no part of the claimed design.

[22] Filed: **Jun. 18, 1993**

[52] U.S. Cl. **D7/708**

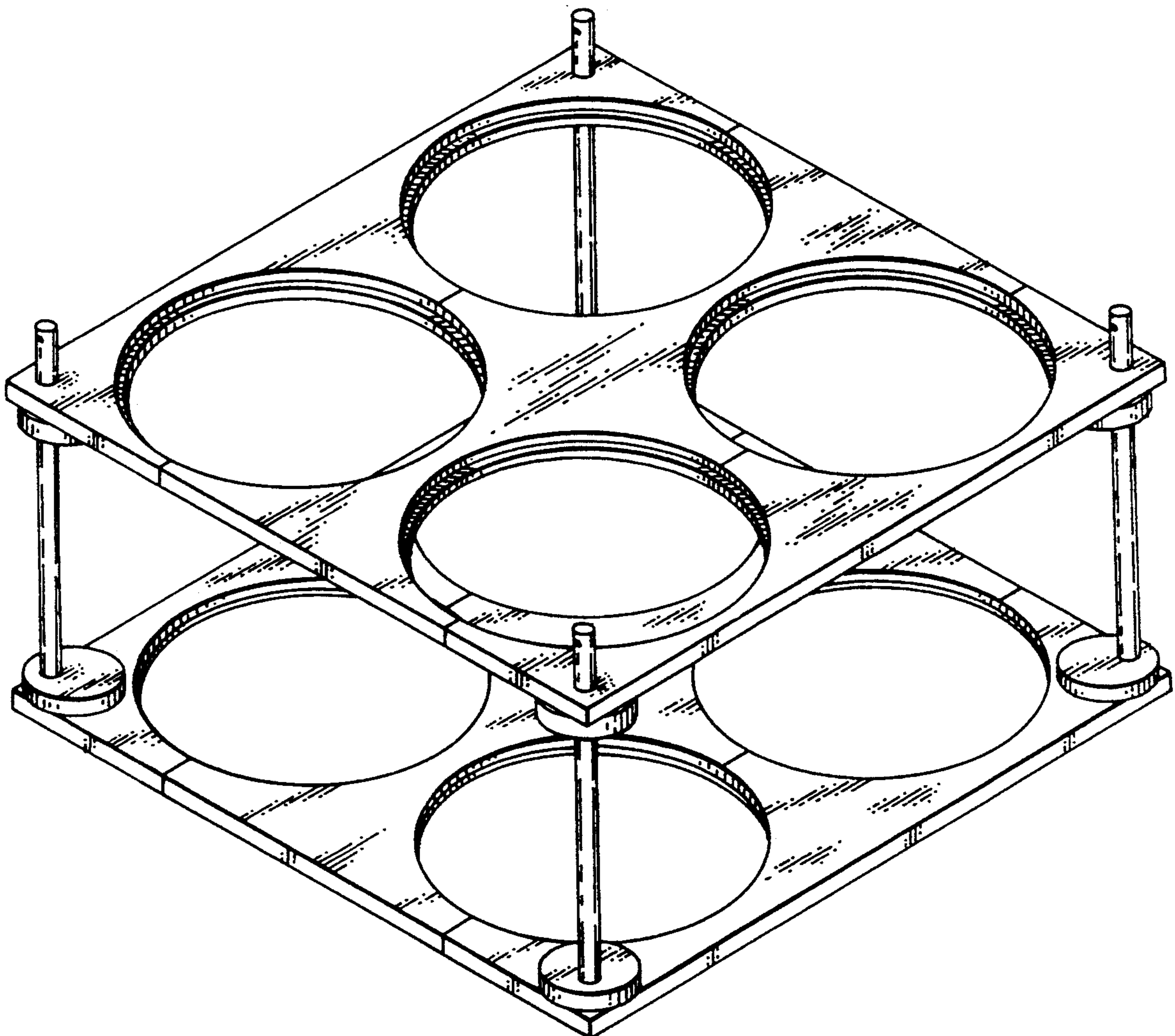
[58] Field of Search **D7/701-708;**
D6/457, 469; 211/60.1, 71, 74, 77; 422/65, 99,
104; 435/809; D24/227, 229-230

[56] References Cited

U.S. PATENT DOCUMENTS

D. 222,950	2/1972	Majewski	D7/708
D. 230,242	2/1974	Bentley	D7/708
1,926,481	9/1933	Fox	206/562
4,813,544	3/1989	Kraeger	206/562 X
4,947,991	8/1990	Snell	206/562 X

Primary Examiner—Terry A. Wallace



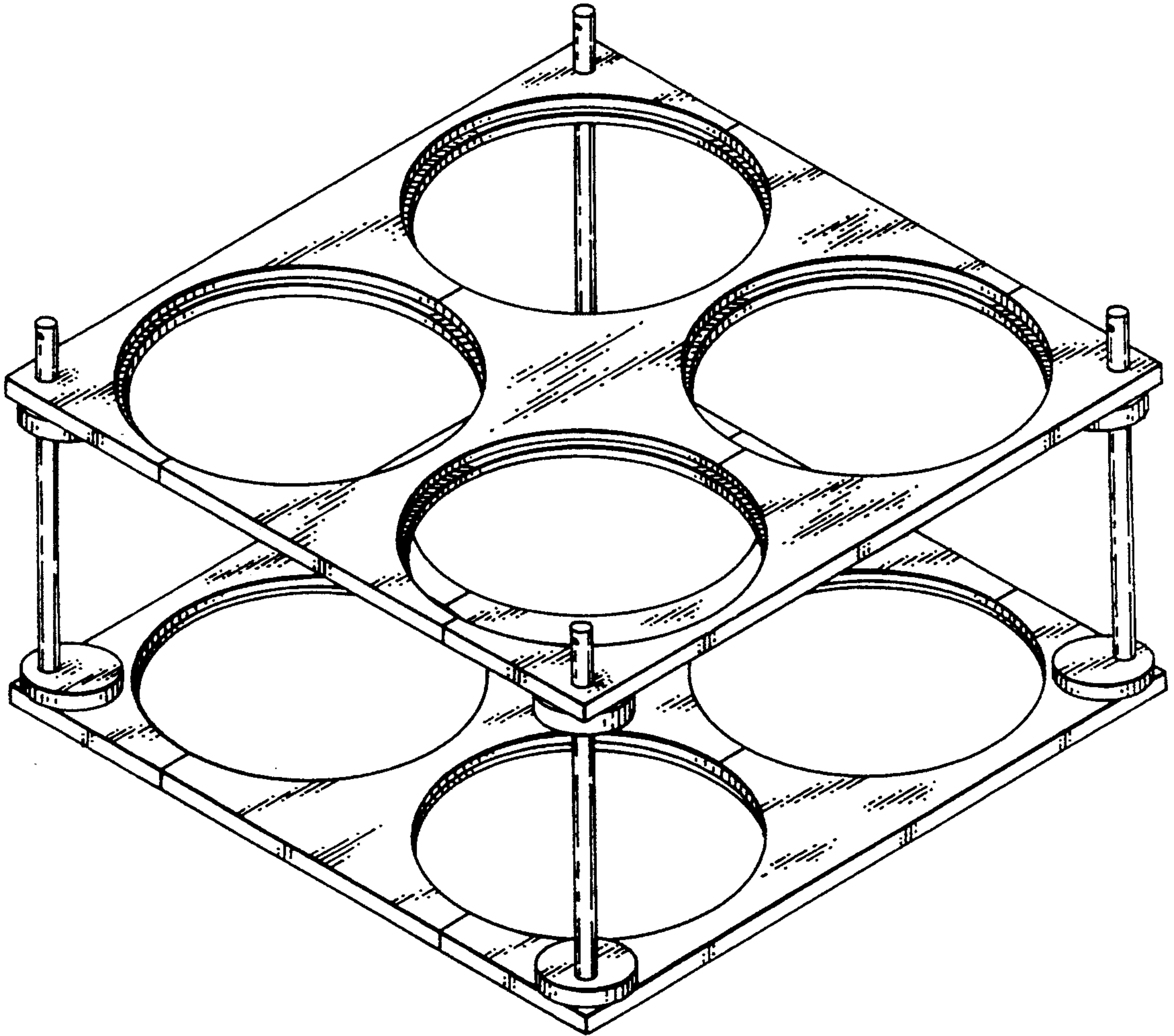


Fig. 1

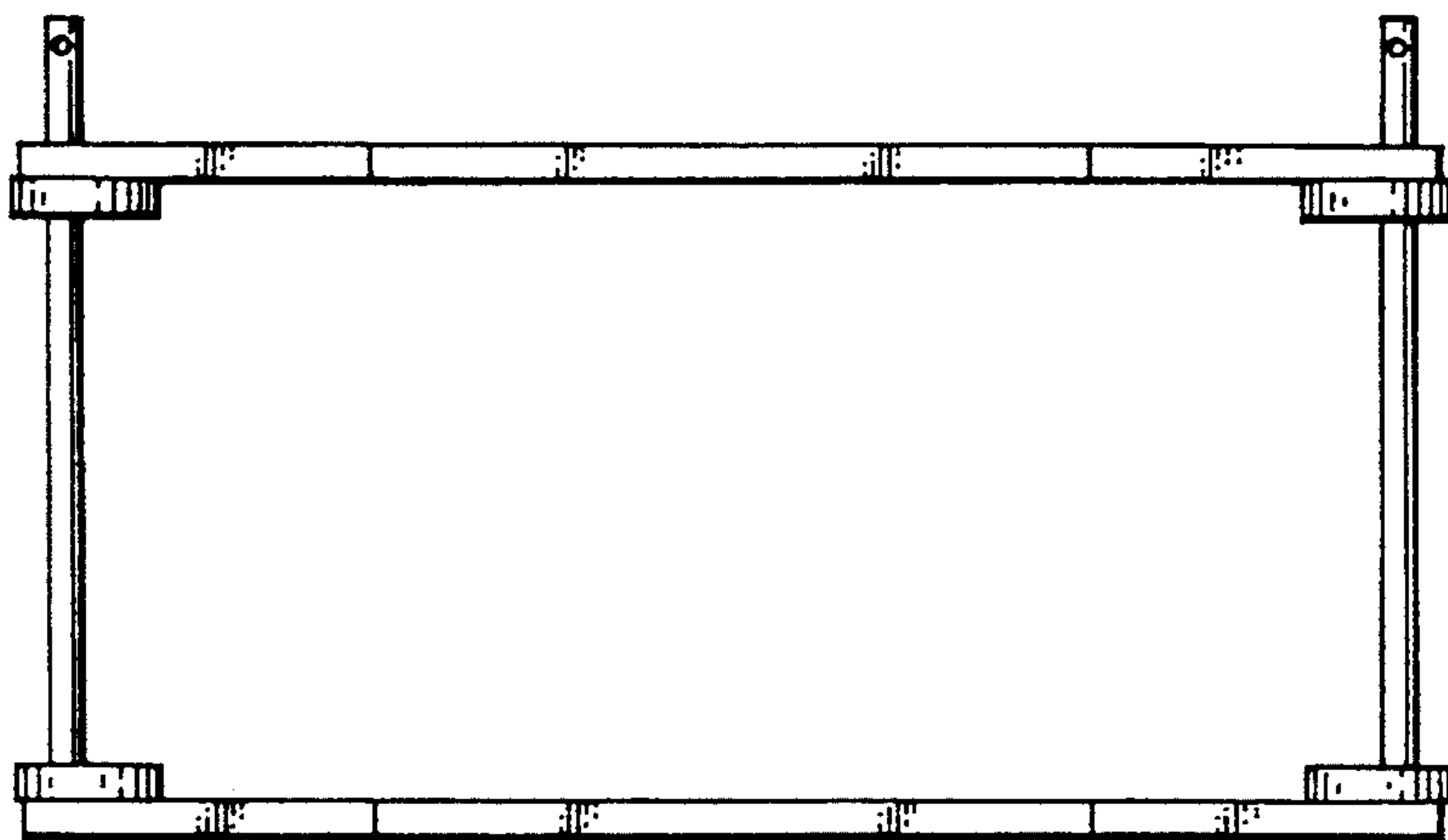


Fig. 2

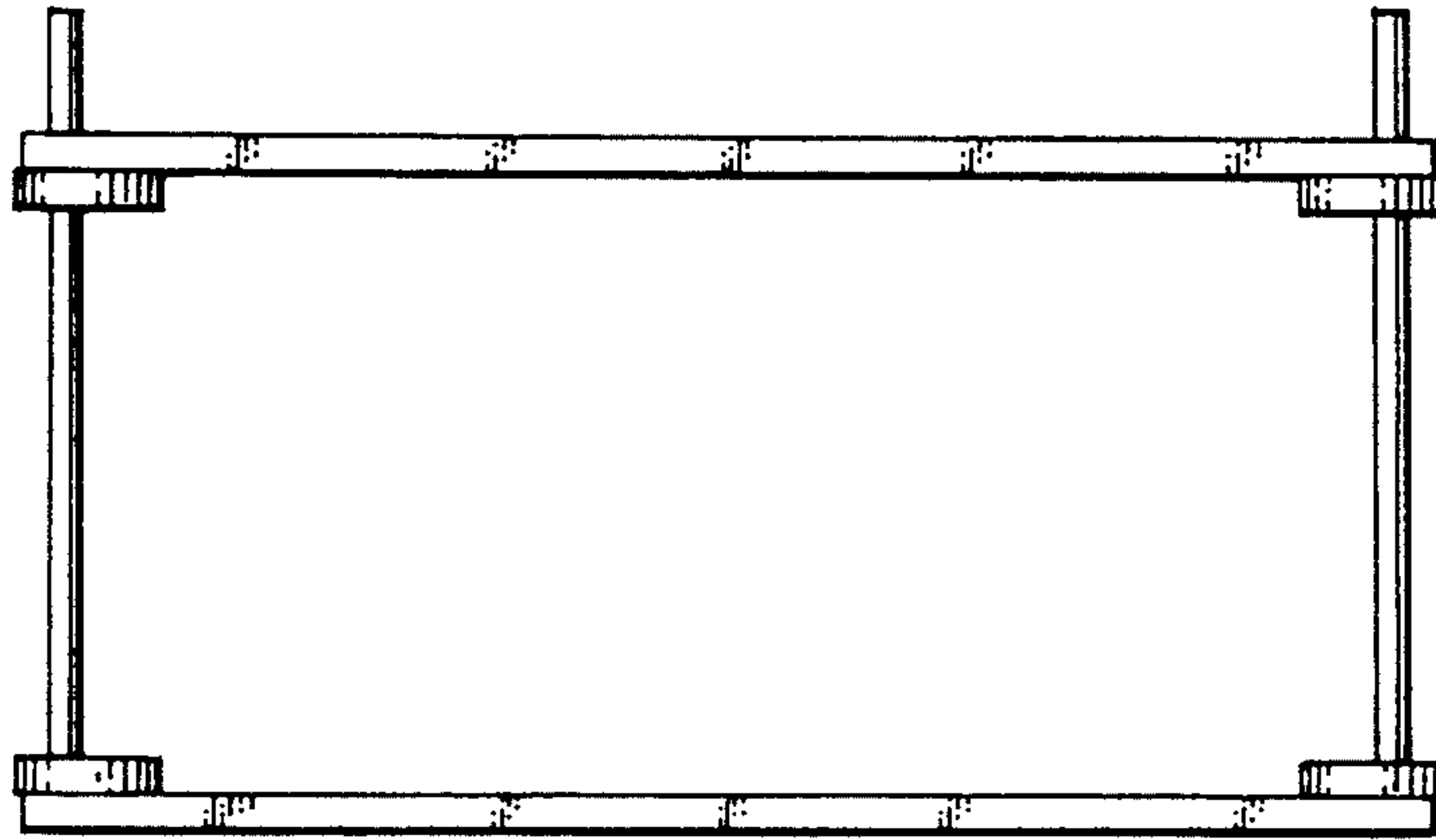


Fig. 3

Fig. 4

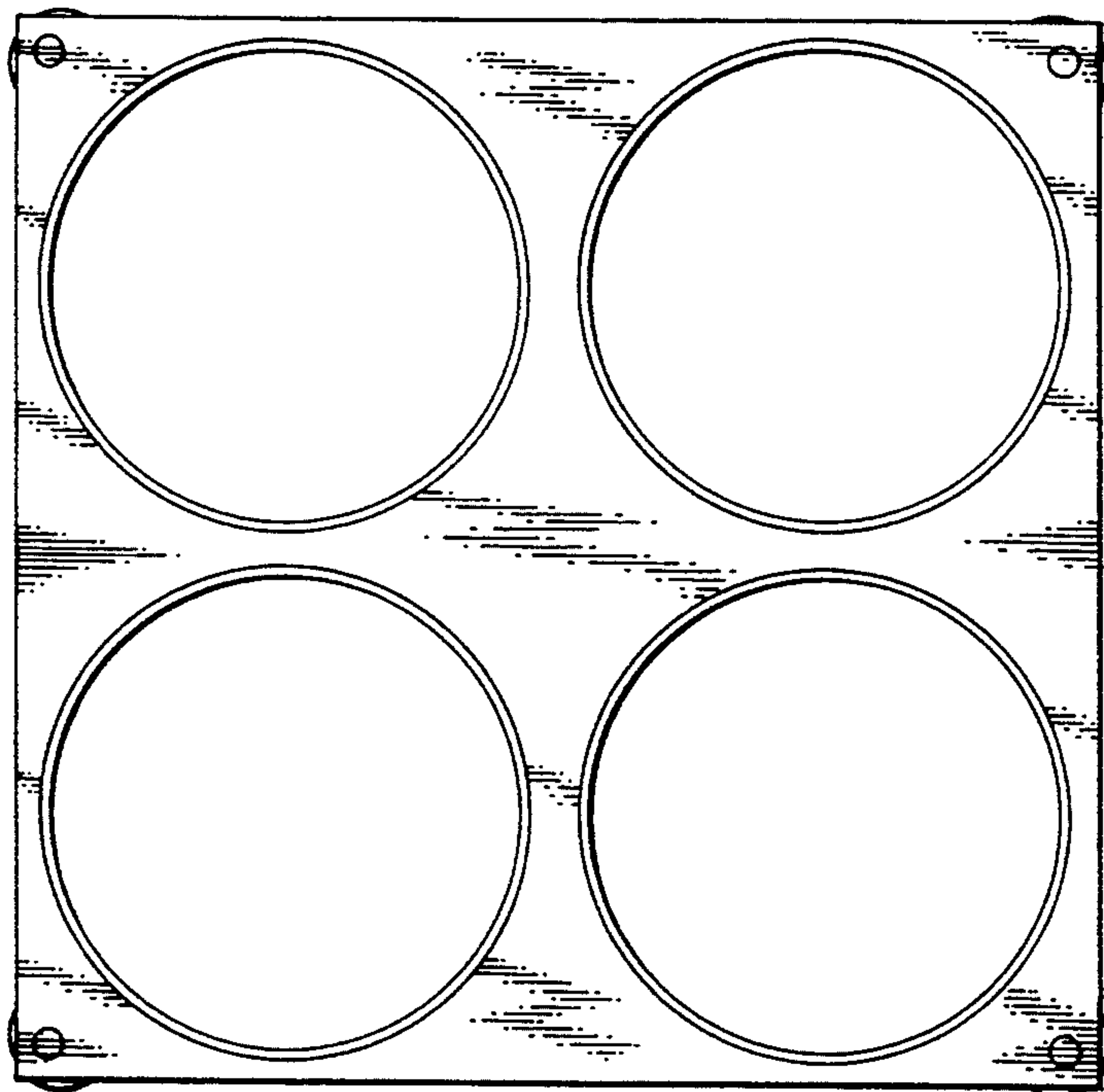
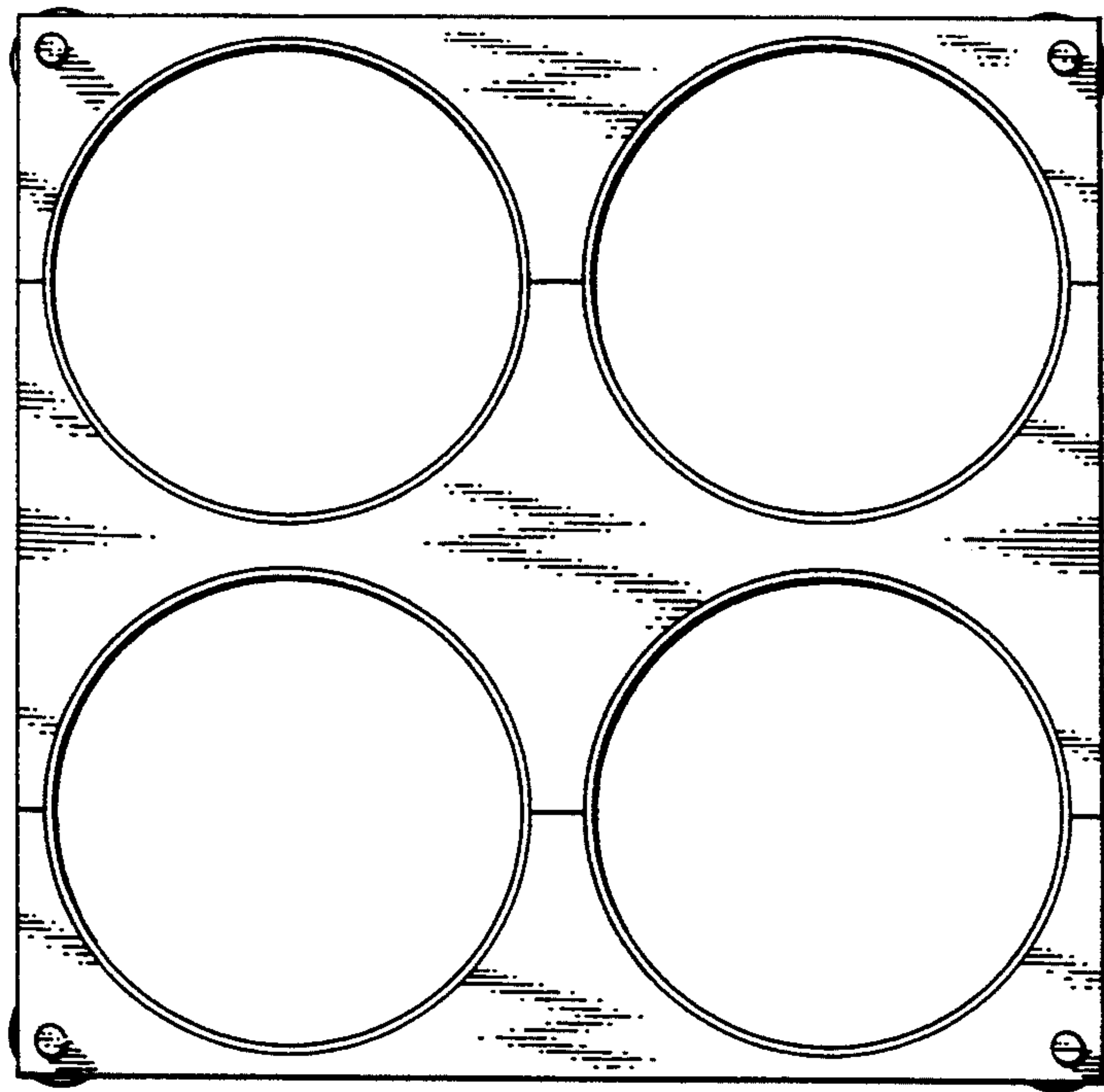


Fig. 5

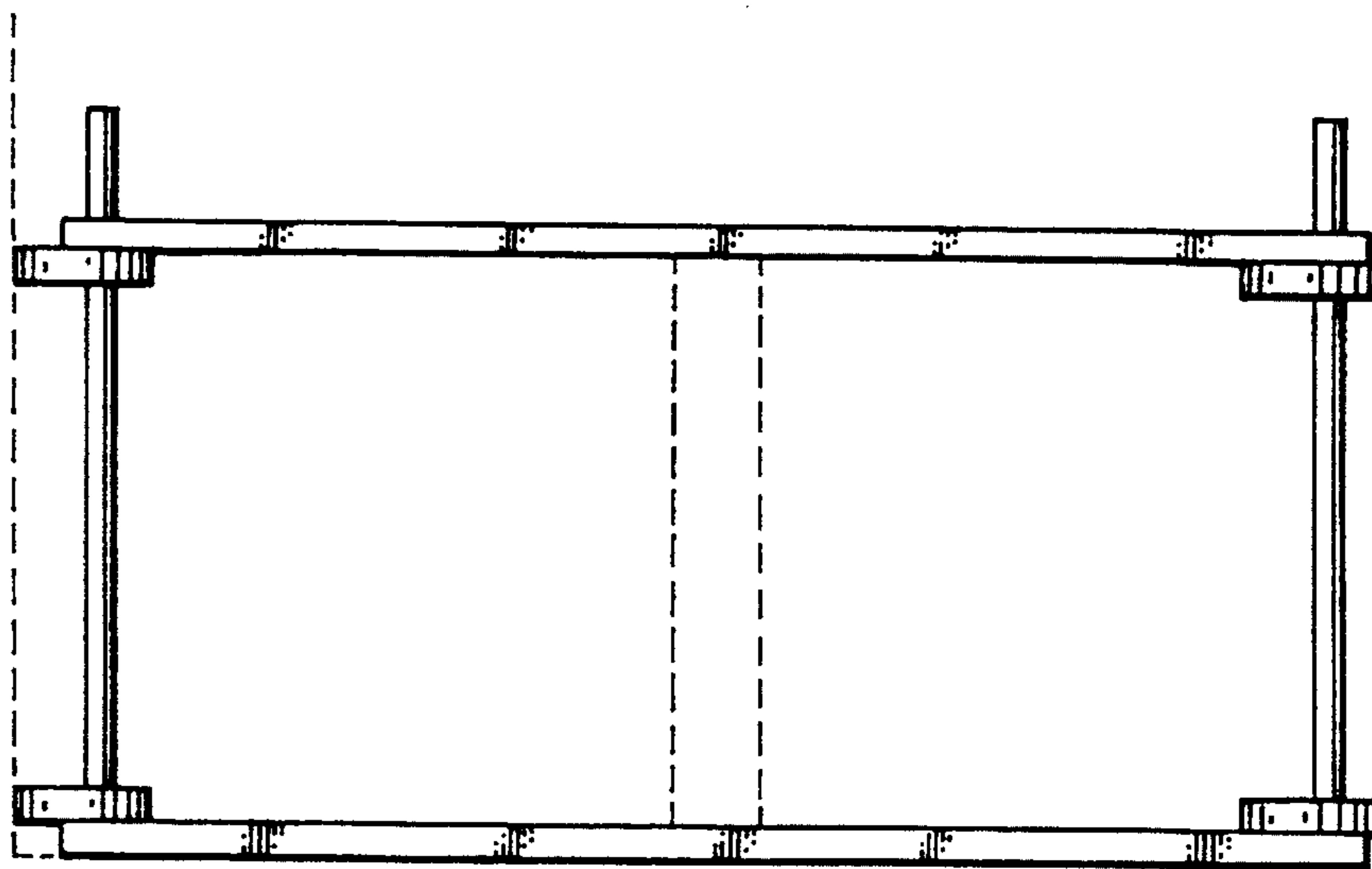


Fig. 6