



US00D351084S

United States Patent [19]

[11] Patent Number: **Des. 351,084**

Ivanovich

[45] Date of Patent: **** Oct. 4, 1994**

[54] **CONTROL PANEL FOR A FREESTANDING RANGE**

[75] Inventor: **Ned N. Ivanovich**, Brampton, Canada

[73] Assignee: **Whirlpool Corporation**, Benton Harbor, Mich.

[**] Term: **14 Years**

[21] Appl. No.: **933,506**

[22] Filed: **Aug. 24, 1992**

[52] U.S. Cl. **D7/406**

[58] Field of Search **D7/402, 405-406, D7/339-340, 346-347; 126/211, 214 R, 214 B, 214 C, 214 D, 220-221, 37 A, 42, 39 B, 39 BA, 39 C, 273 R, 37 R**

[56] **References Cited**

U.S. PATENT DOCUMENTS

D. 180,626	7/1957	Sundberg	D7/406
D. 182,496	4/1958	Boldt	D7/406
D. 201,334	6/1965	Gault	D7/406
2,704,063	3/1955	Young	126/214
2,823,657	2/1958	Brodbeck	126/37
3,004,132	10/1961	Harris, Jr. et al.	219/37

3,040,733	6/1962	Sherman	126/214
3,320,944	5/1967	Hoppe	126/214
3,499,433	3/1970	Payne	126/211
3,645,249	2/1972	Henderson et al.	126/39 H
4,869,231	9/1989	Rice et al.	126/214 R

Primary Examiner—Ruth McInroy
Attorney, Agent, or Firm—Thomas J. Roth; Stephen D. Krefman; Robert O. Rice

[57] **CLAIM**

The ornamental design for a control panel for a freestanding range, as shown and described.

DESCRIPTION

FIG. 1 is a front perspective view of a control panel for a freestanding range showing my new design; FIG. 2 is a front elevational view thereof; FIG. 3 is a top plan view thereof; FIG. 4 is a rear elevational view thereof; and, FIG. 5 is a right side elevational view thereof, the left side elevational view being a mirror image. The environmental structure shown in broken lines in FIGS. 1-5 is for illustrative purposes only and forms no part of the claimed design. The undisclosed bottom is plain and unornamented.

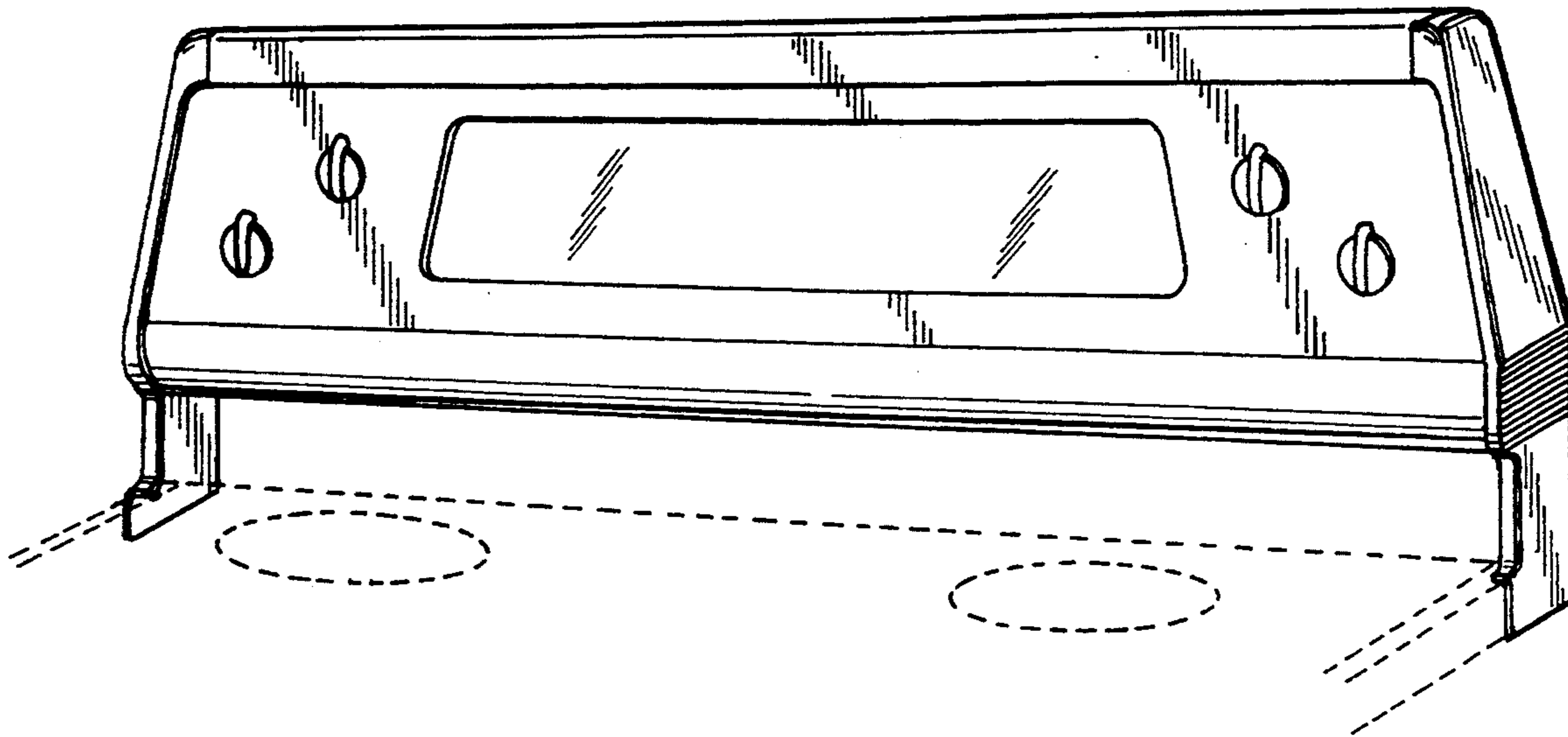


FIG. 1

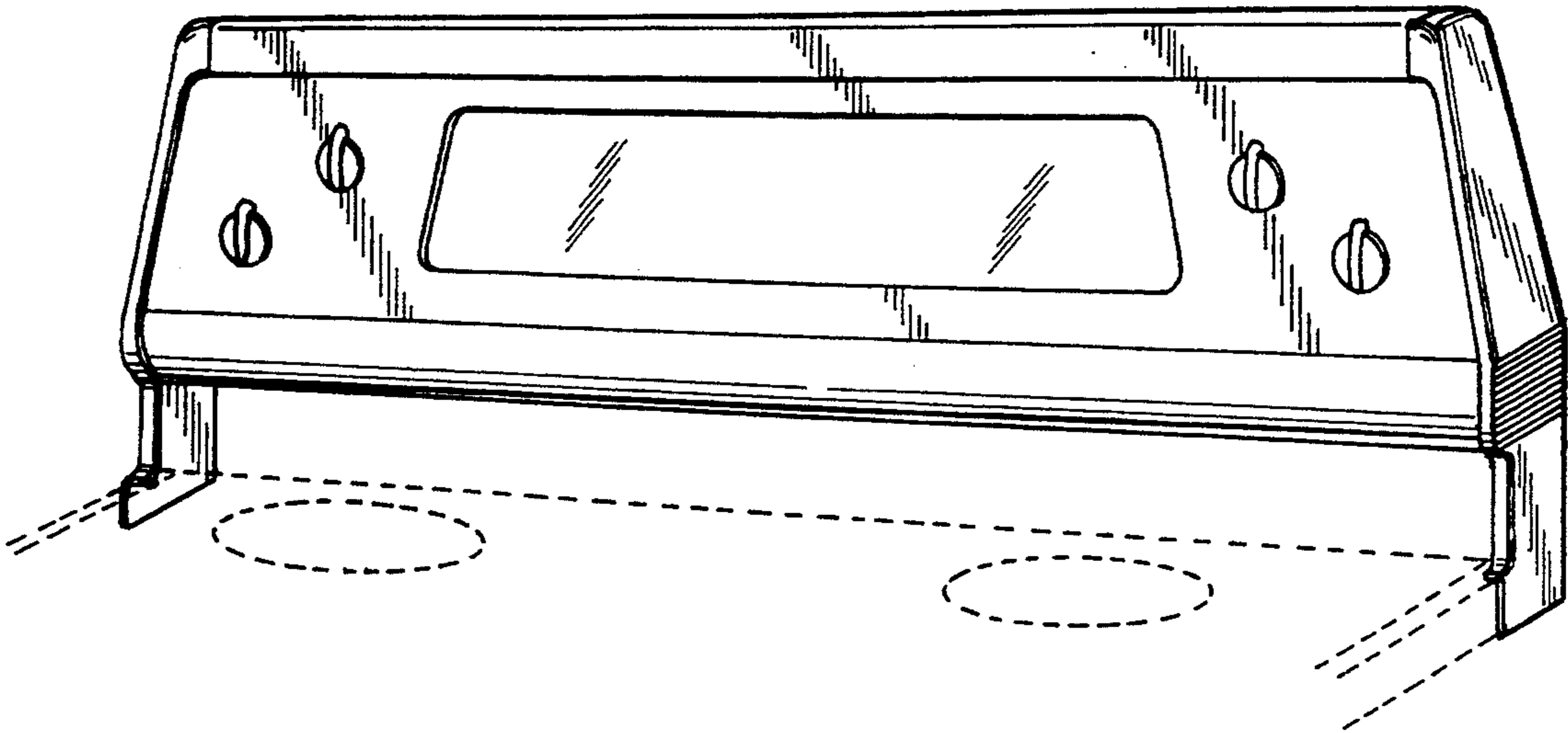


FIG. 2

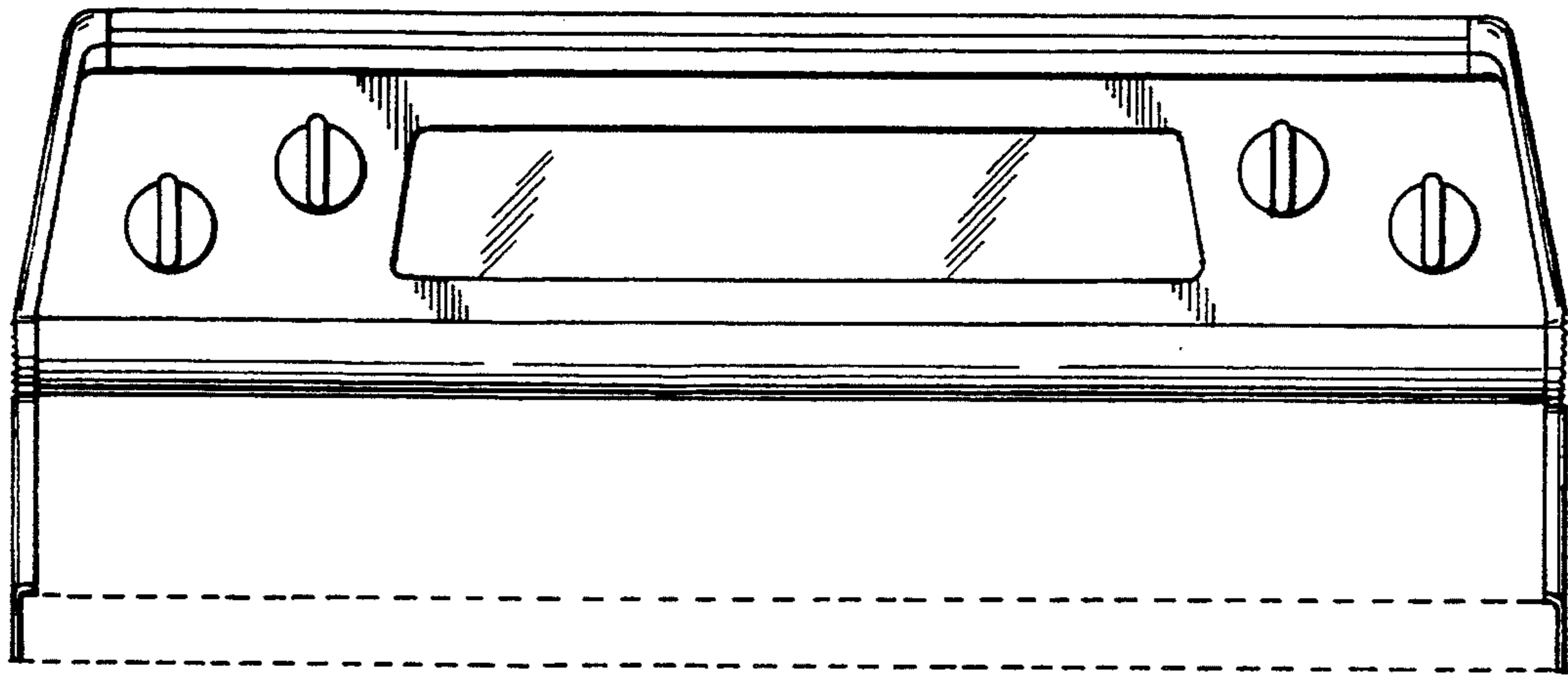


FIG. 3

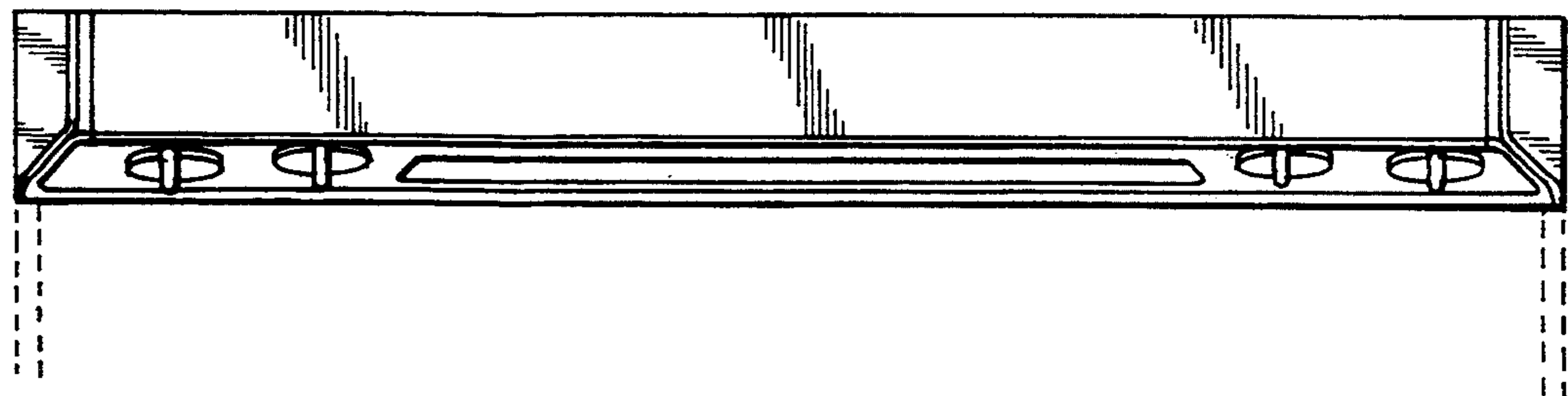


FIG. 4

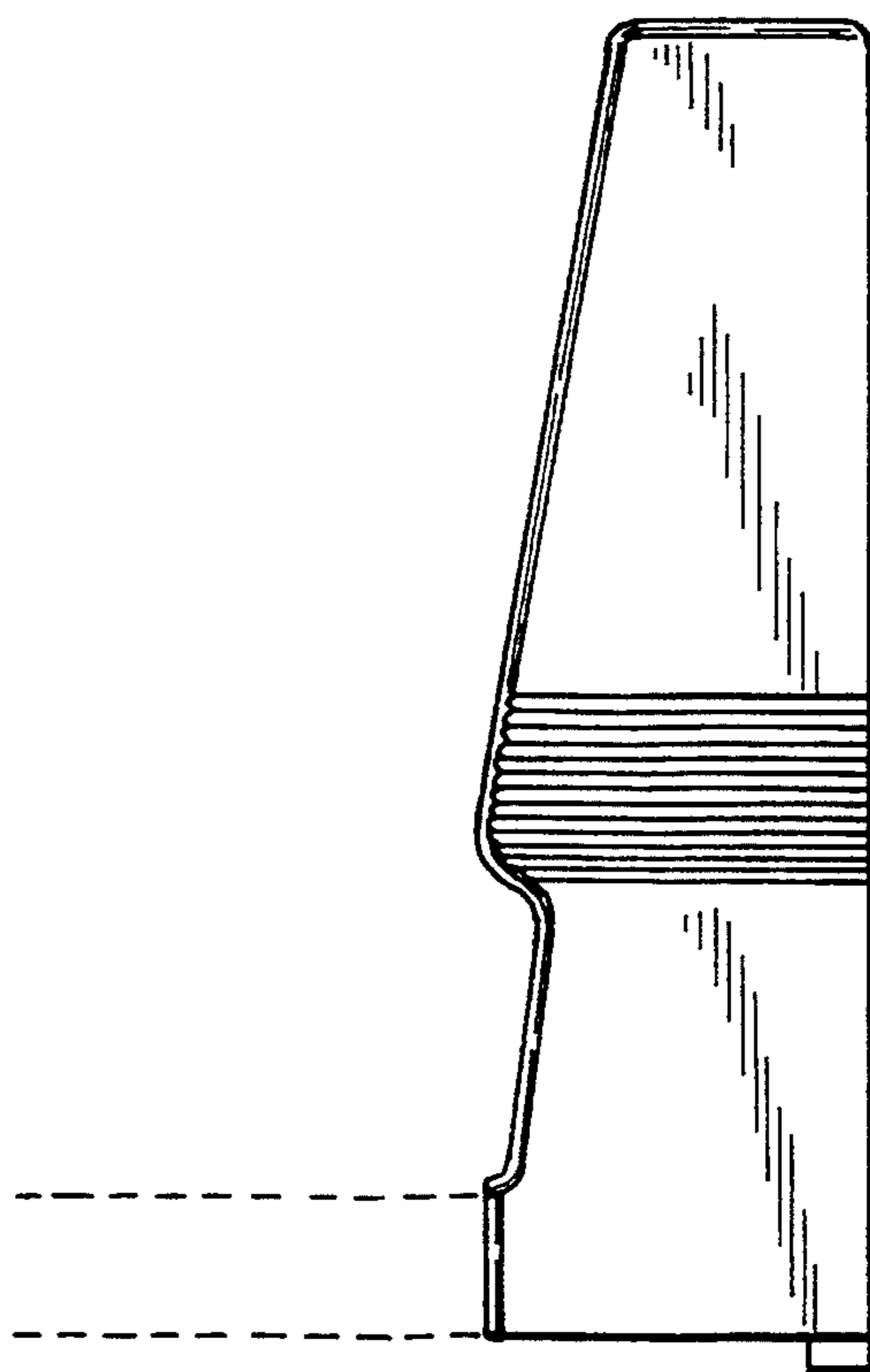
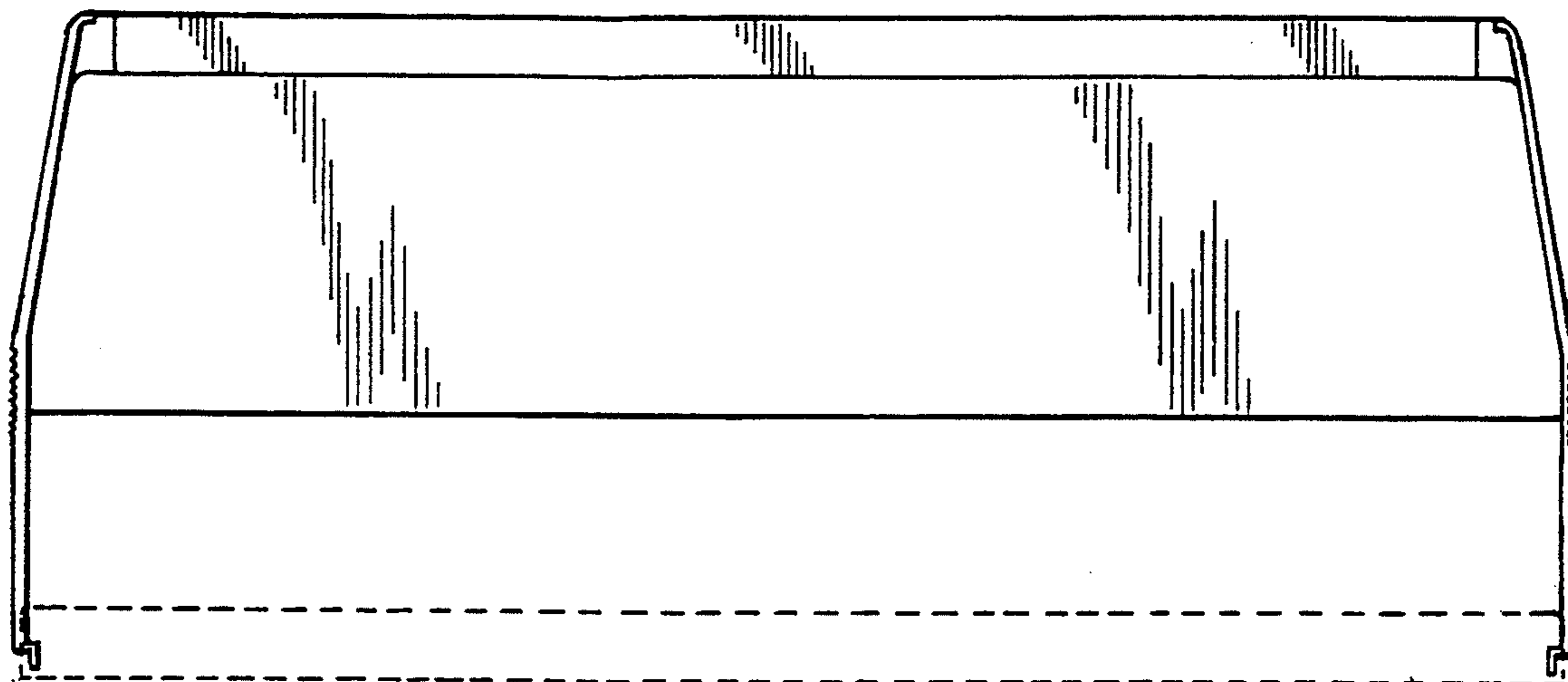


FIG. 5