



US00D351080S

# United States Patent [19]

Sykes et al.

[11] Patent Number: Des. 351,080

[45] Date of Patent: \*\* Oct. 4, 1994

[54] STORAGE CASE FOR COMPACT DISCS

[76] Inventors: **Philip K. Sykes**, 209 Stonecliffe Aisle, Irvine, Calif. 92715; **Dennis B. Barnett**, 321 Catalina Dr., Newport Beach, Calif. 92663

[\*\*] Term: **14 Years**

[21] Appl. No.: **3,187**

[22] Filed: **Jan. 4, 1993**

[52] U.S. Cl. .... **D6/629; D6/632; D6/634**

[58] Field of Search ..... **D3/249; D6/407, 448, D6/468, 426, 627, 628, 629, 630, 631, 632, 633, 634, 635; 206/45.23, 309, 311, 312, 387, 444; D19/75**

[56] **References Cited**

**U.S. PATENT DOCUMENTS**

D. 132,746	6/1942	Schenker	.....	D6/630
D. 280,952	10/1985	Kirchner	.....	D6/635
D. 283,949	5/1986	Kitada	.....	D6/635
D. 288,982	3/1987	Talopp	.....	D6/634
D. 291,024	7/1987	Kikuchi	.....	D6/634
D. 342,655	12/1993	Ozeki	.....	D6/630
2,261,806	11/1941	Hills	.....	206/311

4,511,034	4/1985	Pan	.....	206/312
4,538,730	9/1985	Wu	.....	206/425
4,778,047	10/1988	Lay	.....	206/425
4,844,260	7/1989	Jaw	.....	206/444
5,022,516	6/1991	Urban et al.	.....	206/444
5,099,995	3/1992	Karakane et al.	.....	206/444
5,246,107	9/1993	Long et al.	.....	206/444
5,259,498	11/1993	Weisburn et al.	.....	206/312

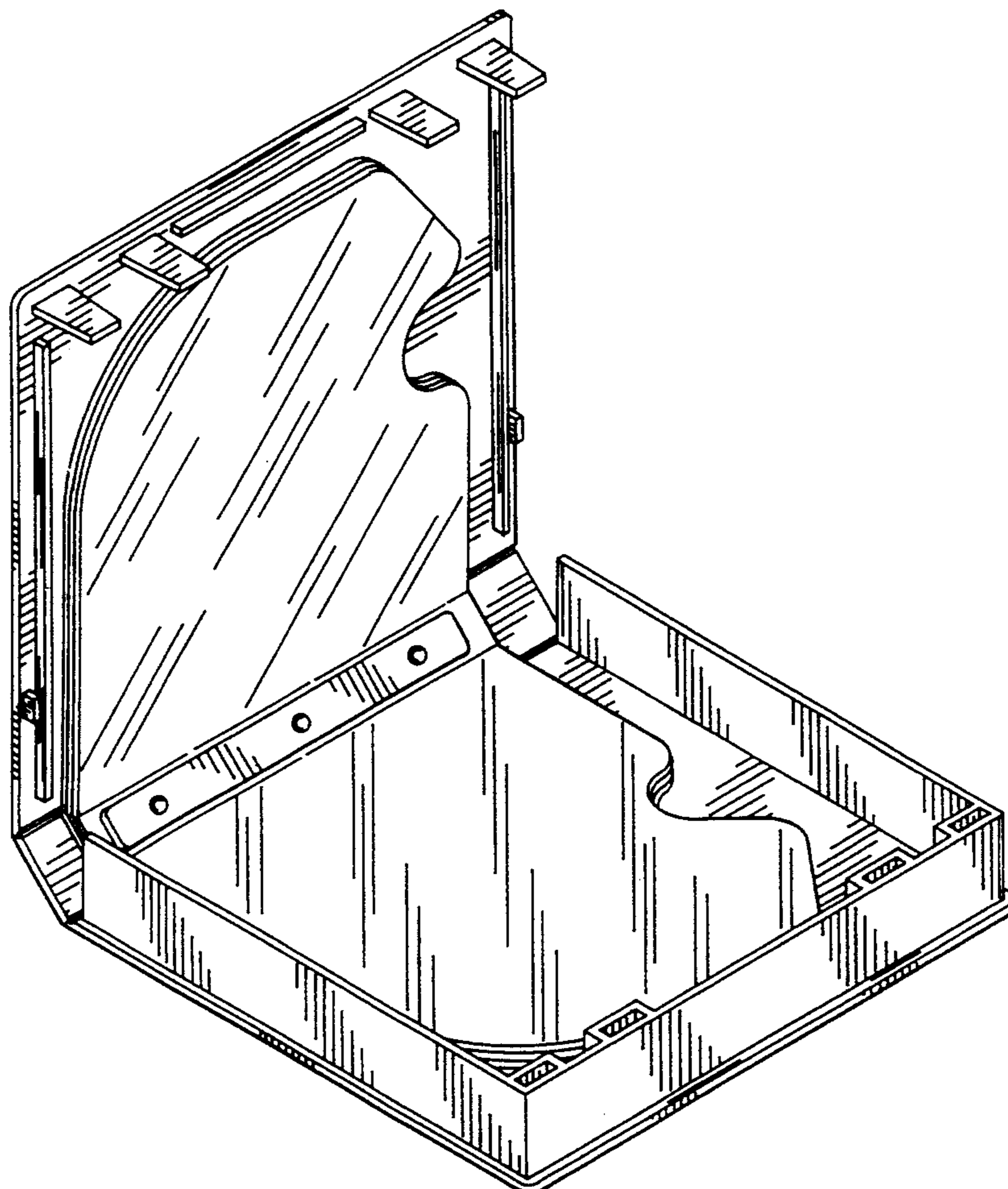
*Primary Examiner*—A. Hugo Word  
*Assistant Examiner*—Celia A. Murphy  
*Attorney, Agent, or Firm*—Leonard Tachner

[57] **CLAIM**

The ornamental design for a storage case for compact discs, as shown and described.

**DESCRIPTION**

FIG. 1 is an isometric view of a storage case for compact discs in a closed configuration and showing our new design;  
FIG. 2 is a left side elevational view thereof, the right side being a mirror image;  
FIG. 3 is a rear elevational view thereof;  
FIG. 4 is a front elevational view thereof;  
FIG. 5 is a top plan view thereof; and,  
FIG. 6 is an isometric view of our new design shown in its opened configuration.



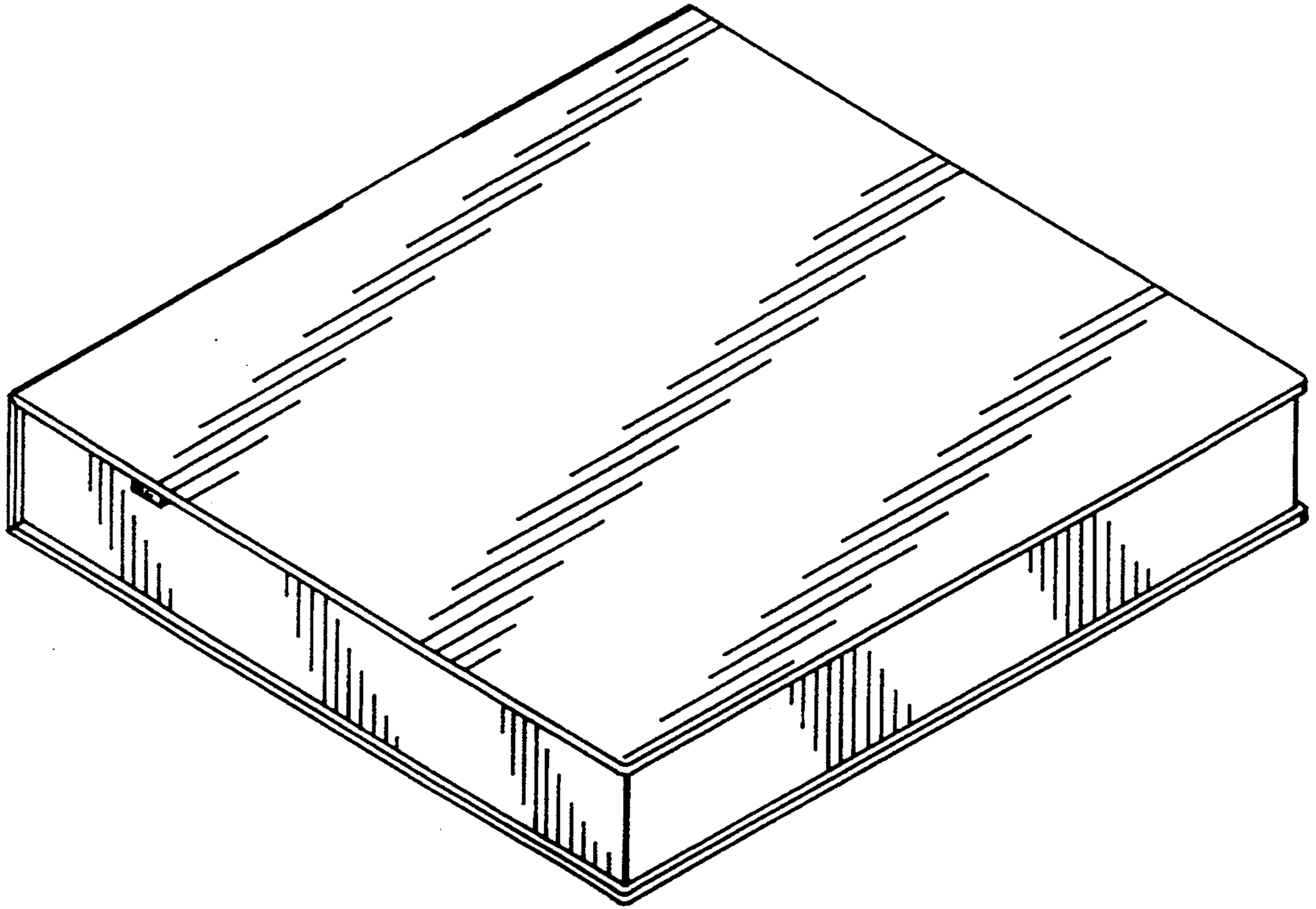
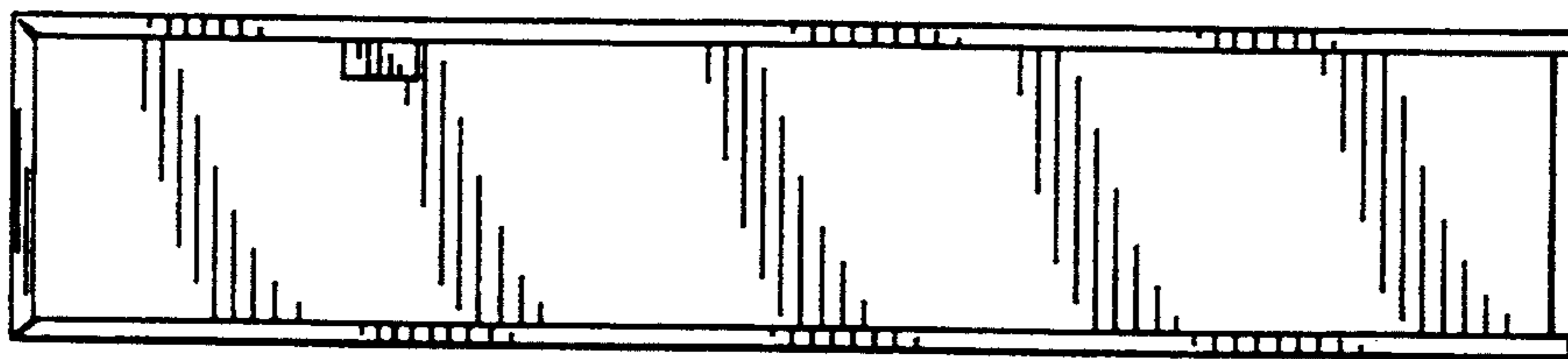


FIG. 1

FIG. 2



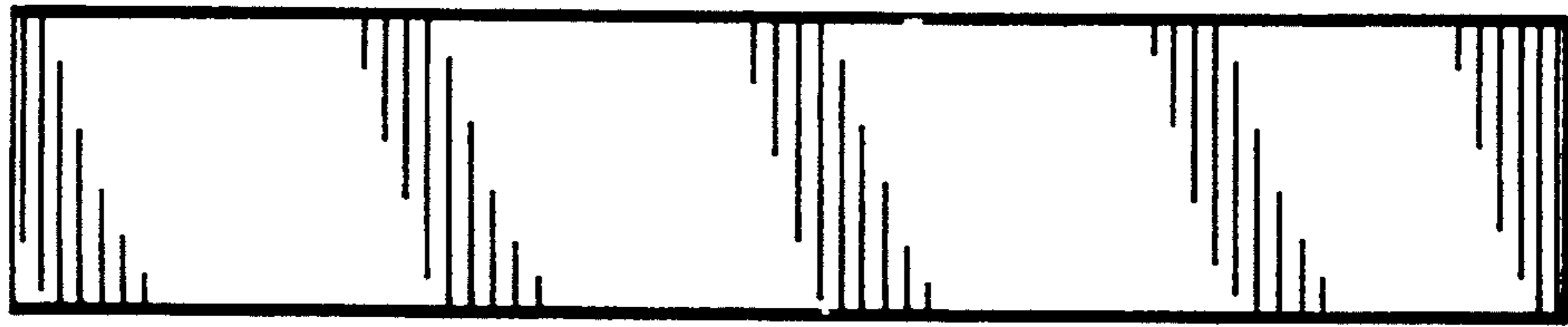


FIG. 3

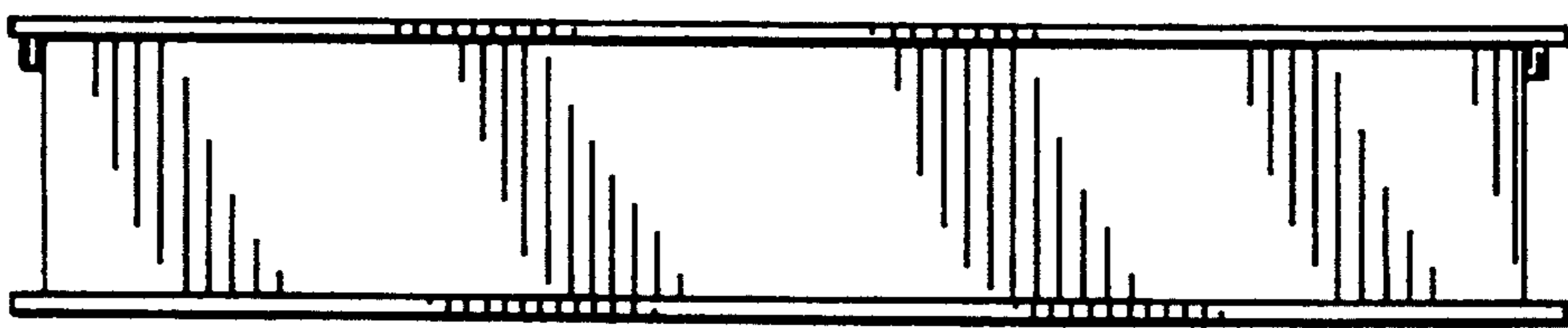


FIG. 4

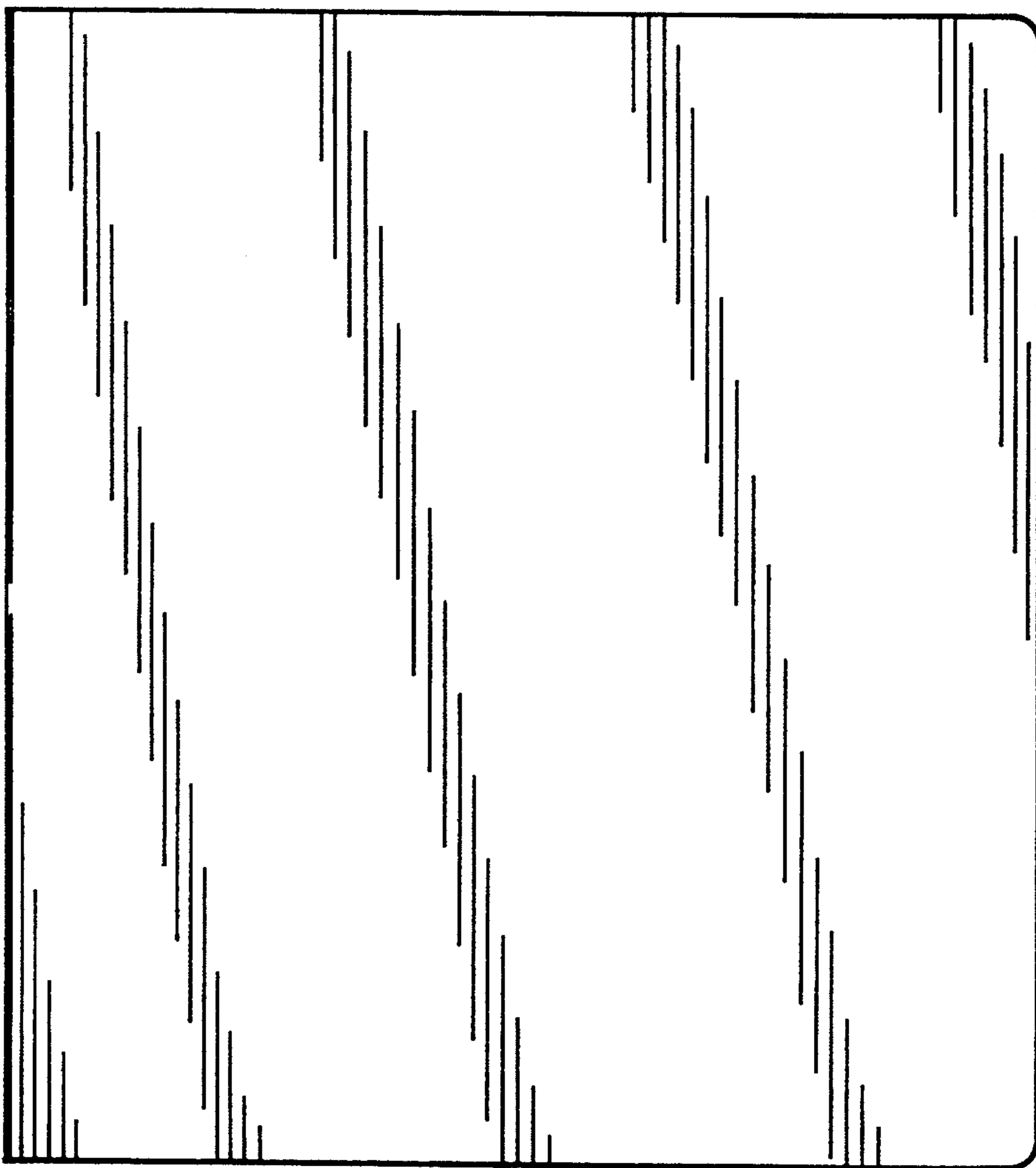


FIG. 5

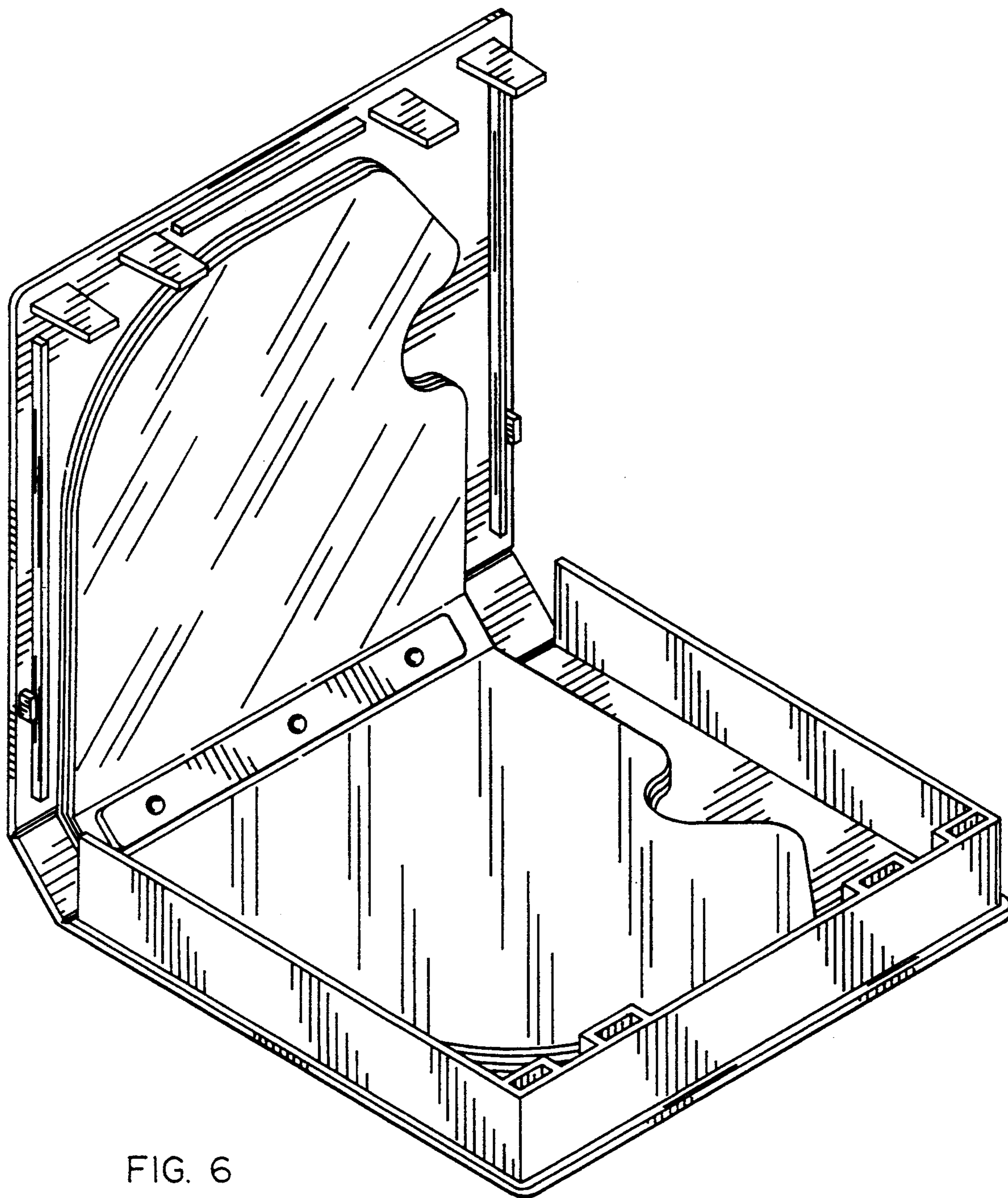


FIG. 6