



US00D351079S

United States Patent [19]

[11] Patent Number: **Des. 351,079**

Brown

[45] Date of Patent: **** Oct. 4, 1994**

[54] **ROLLER DRAWER**

4,318,575	3/1982	Redlich	312/249.9
4,741,628	5/1988	Kinley	312/334.42 X
4,779,941	10/1988	Jessop	312/249.9 X
4,874,209	10/1989	Spitzer et al.	312/249.9

[76] Inventor: **Colin Brown**, 1510 Boyle Ave., Escondido, Calif. 92027

[**] Term: **14 Years**

Primary Examiner—Nelson C. Holtje
Assistant Examiner—J. E. Seeger
Attorney, Agent, or Firm—Lewis E. Massie

[21] Appl. No.: **314**

[22] Filed: **Oct. 13, 1992**

[52] U.S. Cl. **D6/510**

[57] **CLAIM**

[58] **Field of Search** D6/491, 510, 511;
312/208.1, 208.2, 208.4, 281, 282, 334.19,
334.39, 334.42, 249.8, 249.9, 351.11; 248/918;
108/90; D14/114

The ornamental design for a roller drawer, as shown and described.

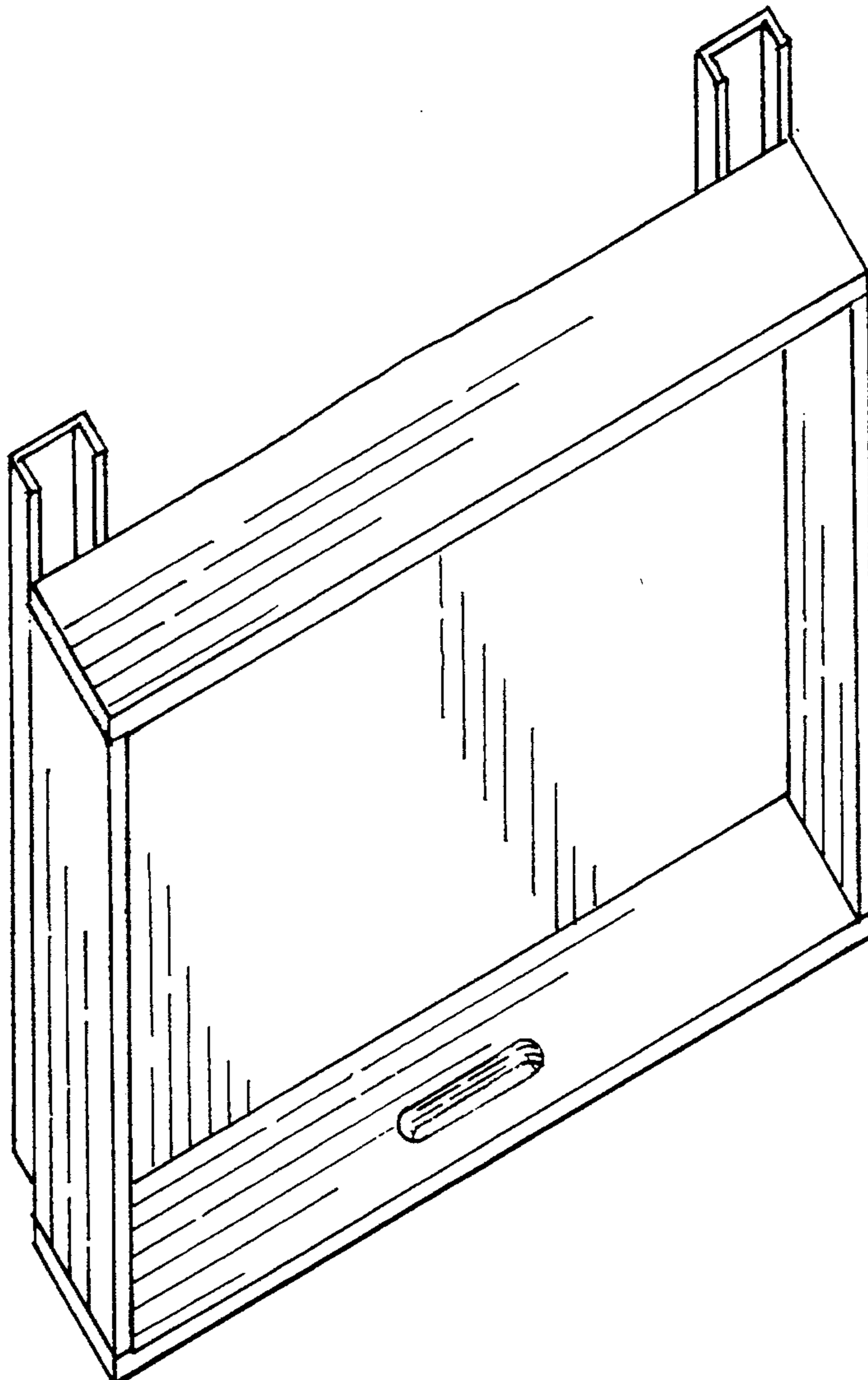
DESCRIPTION

[56] **References Cited**

U.S. PATENT DOCUMENTS

212,100	2/1879	Knight	312/334.42 X
D. 247,866	5/1978	Sandoval	D6/510 X
D. 297,080	8/1988	Hemberg	D6/480 X
D. 341,966	12/1993	Weiss et al.	D6/510
3,664,716	5/1972	Johnson	312/334.19 X

FIG. 1 is a top plan view of my new design for a roller drawer;
FIG. 2 is a front elevation view thereof;
FIG. 3 is a bottom view thereof;
FIG. 4 is a back view thereof;
FIG. 5 is a right end view, the opposite end being a mirror image thereof; and,
FIG. 6 is a top perspective view.



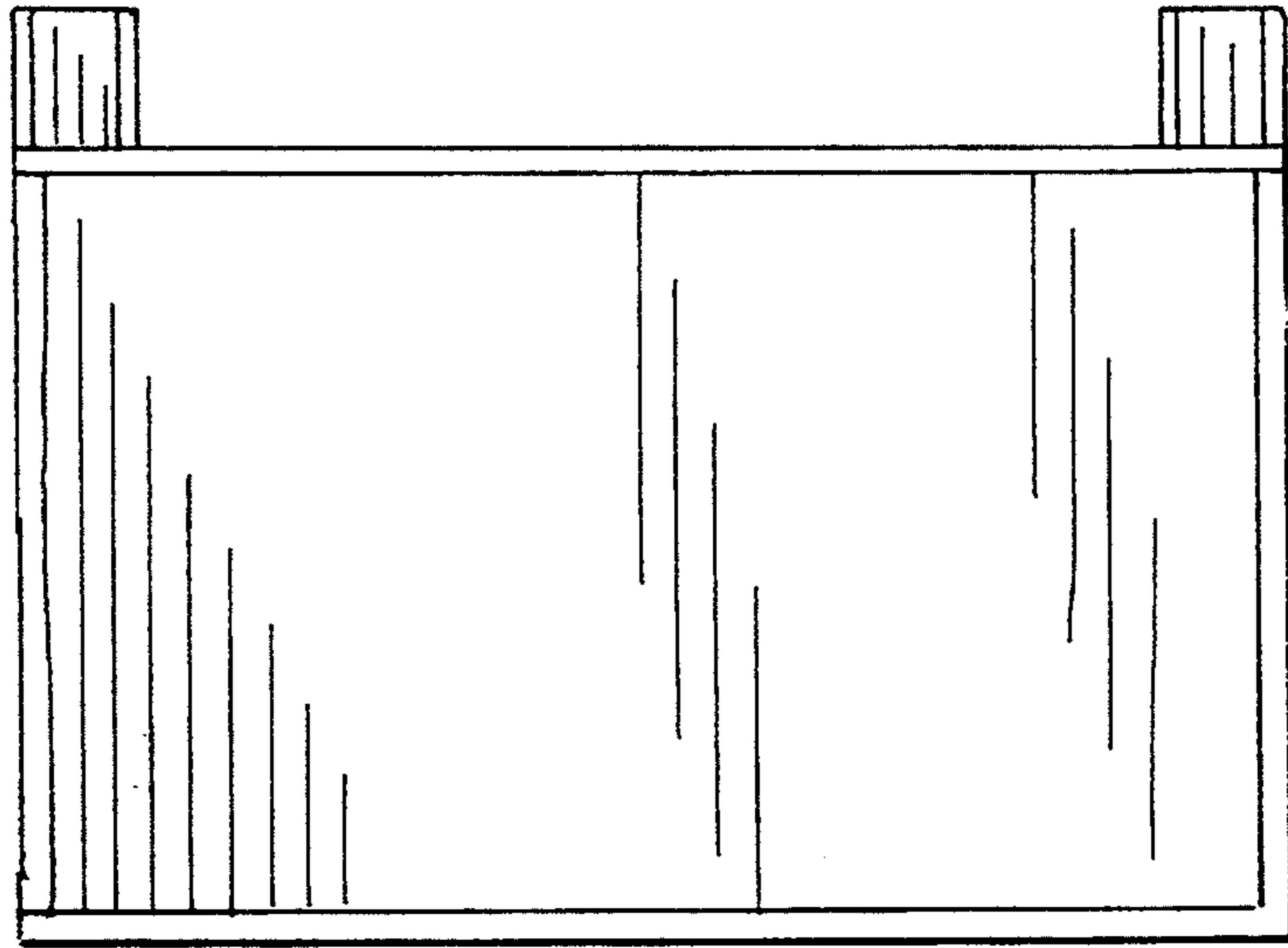


FIG. 1

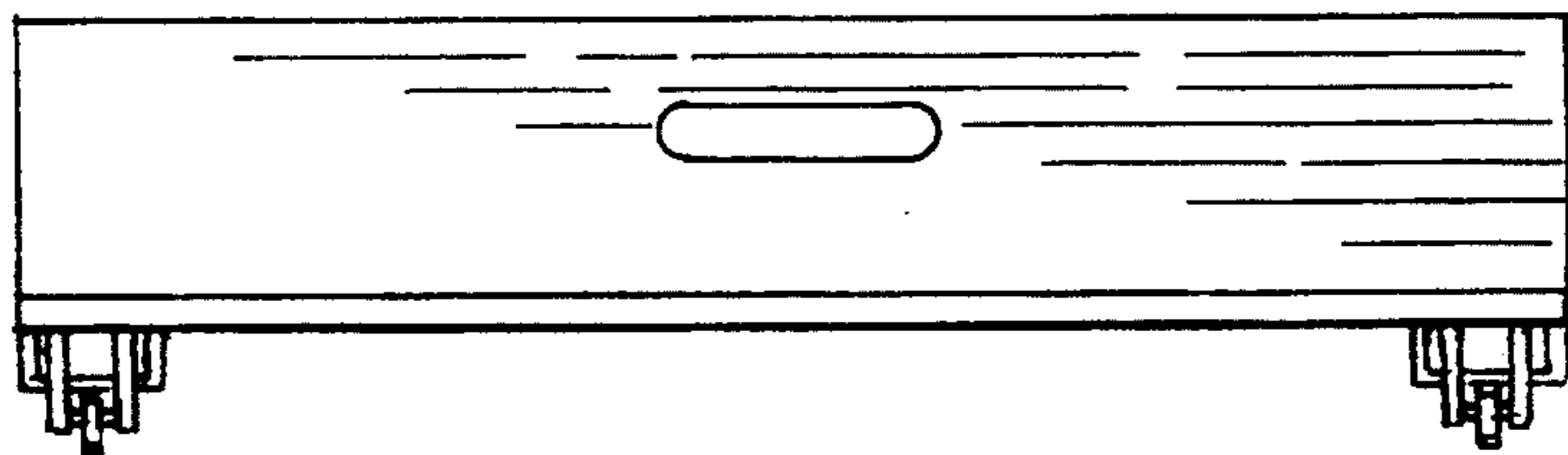


FIG. 2

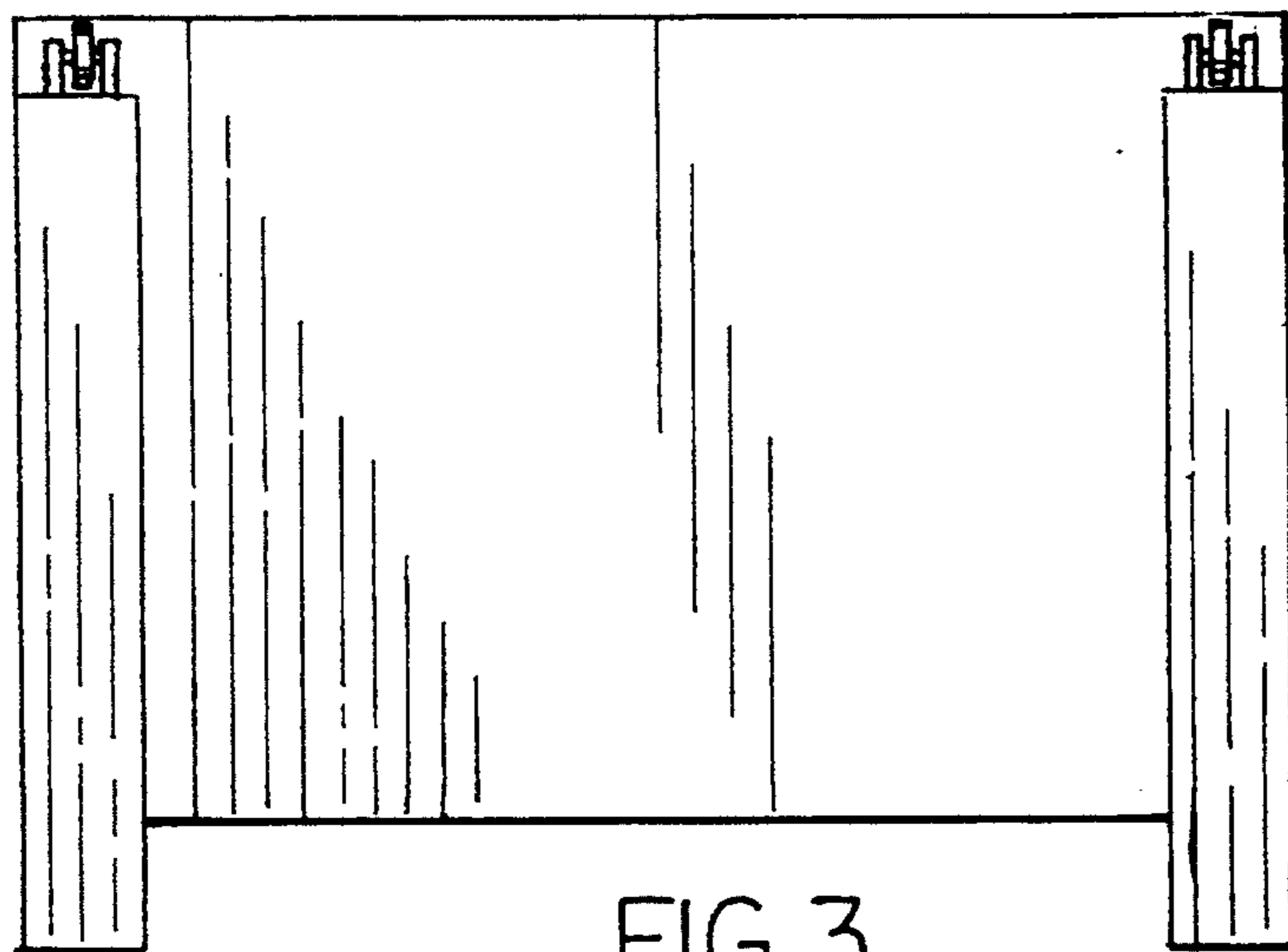


FIG. 3

FIG. 5

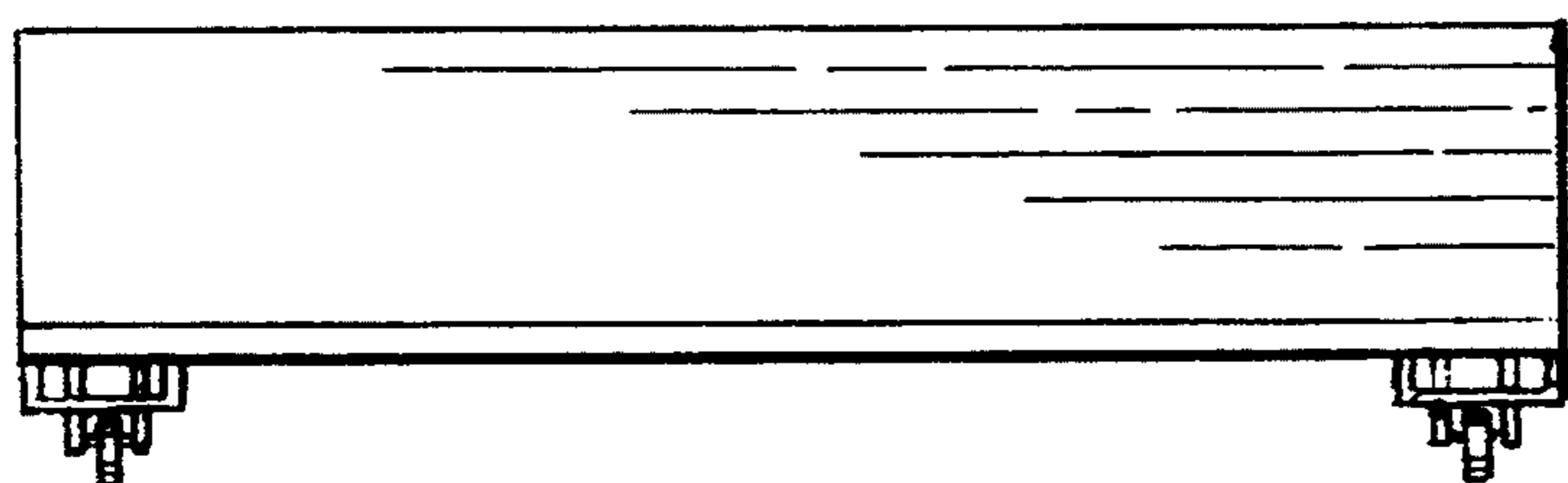
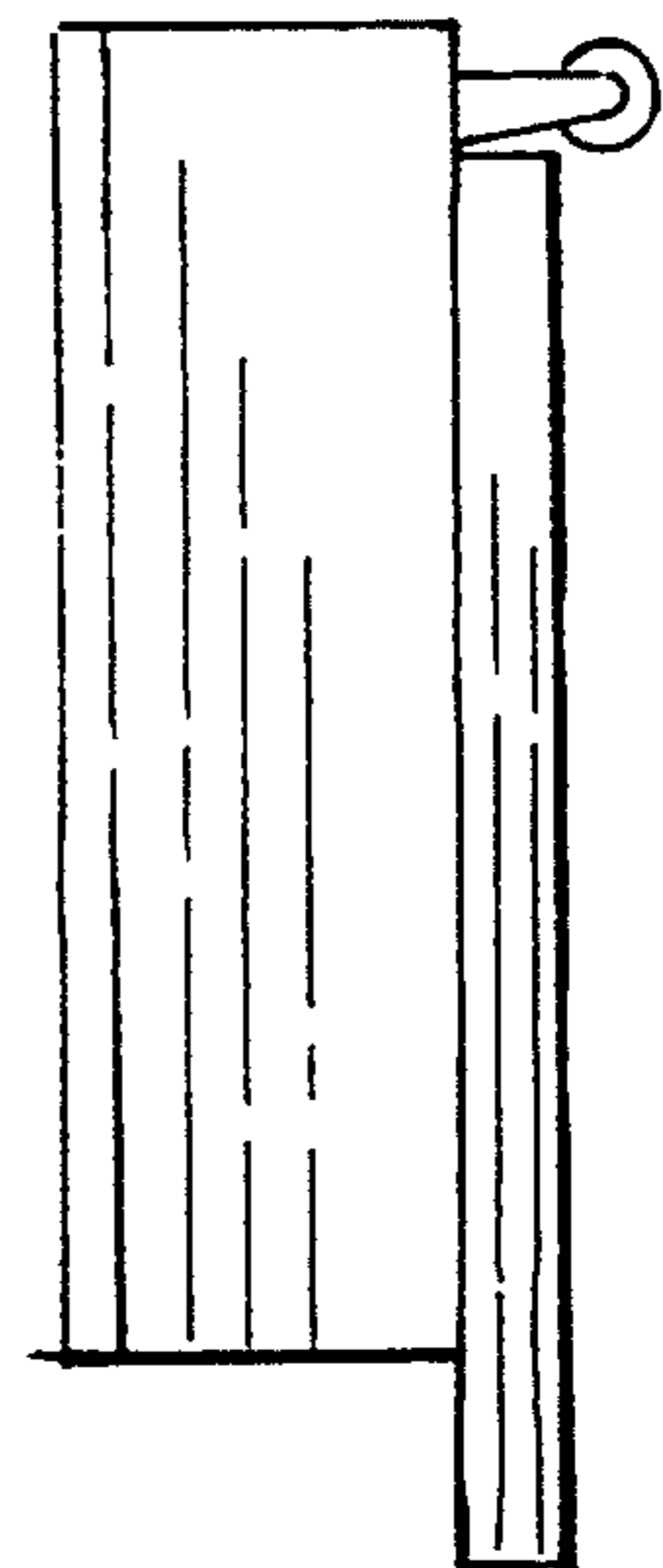


FIG. 4

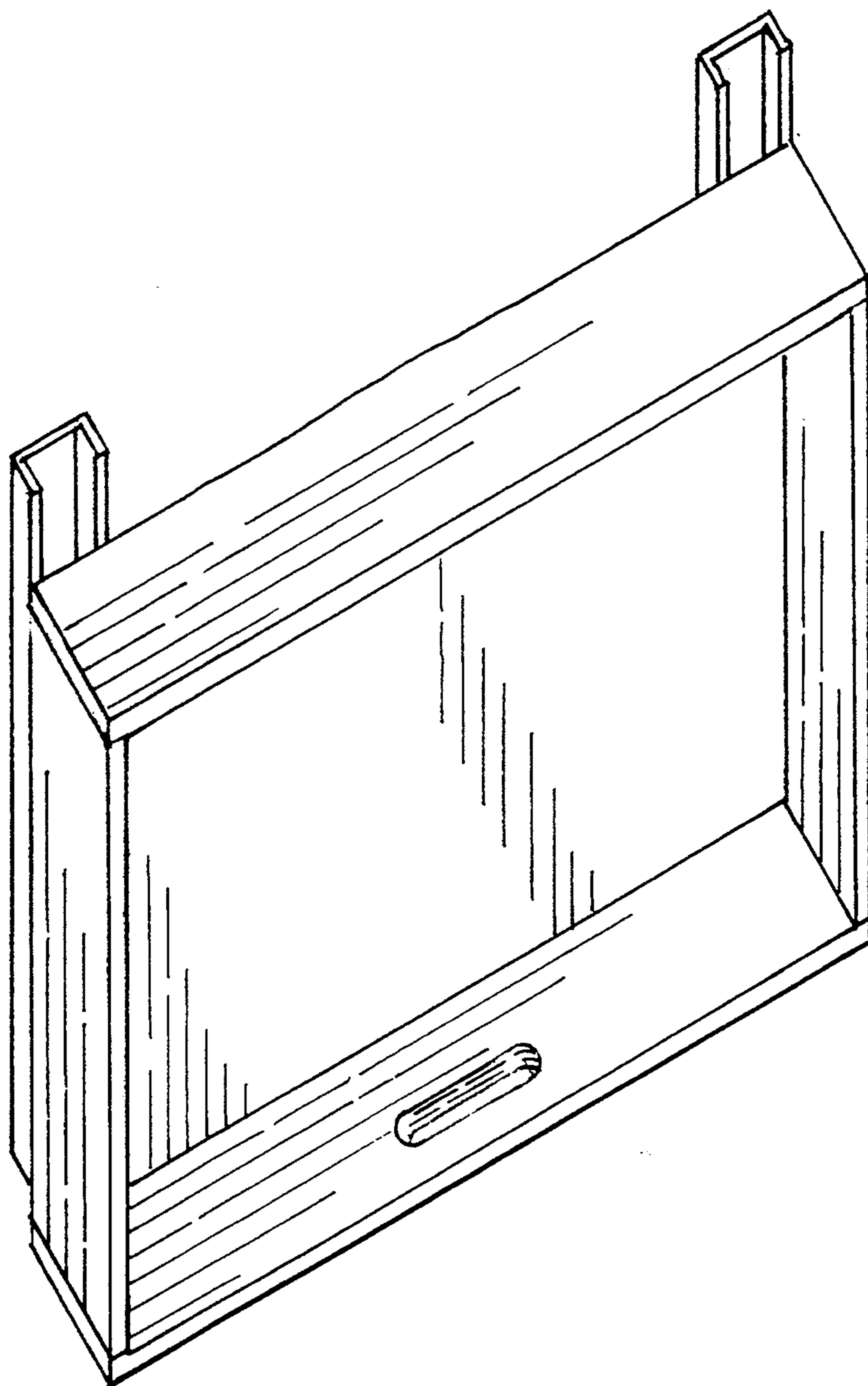


FIG.6